



US00D757568S

(12) **United States Design Patent**
Emmenegger et al.

(10) **Patent No.:** **US D757,568 S**

(45) **Date of Patent:** **** May 31, 2016**

(54) **WRISTWATCH**

(71) Applicant: **SOWIND, SA**, La Chaux-de-Fonds (CH)

(72) Inventors: **Claude Emmenegger**, La Chaux-de-Fonds (CH); **Marjorie Cugney**, La Chaux-de-Fonds (CH); **David De Oliveira**, La Chaux-de-Fonds (CH)

(73) Assignee: **SOWIND, SA**, La Chaux-de-Fonds (CH)

(**) Term: **14 Years**

(21) Appl. No.: **29/513,703**

(22) Filed: **Jan. 5, 2015**

(30) **Foreign Application Priority Data**

Jul. 4, 2014 (CH) 140756

(51) **LOC (10) Cl.** **10-02**

(52) **U.S. Cl.**
USPC **D10/32; D10/39; D10/126**

(58) **Field of Classification Search**
USPC D10/30-39, 1-29, 122-132; D11/3
CPC G04B 15/00; G04B 19/00; G04B 19/06;
G04B 19/065; G04B 19/08; G04B 19/10;
G04B 19/12; G04B 37/00; G04B 37/0008;
G04B 37/1486; G04B 45/00; G04B 45/02;
G04B 47/00; G04B 47/06

See application file for complete search history.

(56) **References Cited**

U.S. PATENT DOCUMENTS

3,570,239	A *	3/1971	Charles	G04B 47/06 250/484.3
6,456,569	B1 *	9/2002	Stauffer	G04B 19/06 368/236
D552,490	S *	10/2007	Laucella	D10/31
D568,180	S *	5/2008	Laucella	D10/39
D570,230	S *	6/2008	Monachon	D10/32
D591,179	S *	4/2009	Loth	D10/39
D591,621	S *	5/2009	Nataf	D10/39
D612,749	S *	3/2010	Loth	D10/32
D624,440	S *	9/2010	Wunderman	D10/32
D653,128	S *	1/2012	Vaptzarof	D10/39
D704,574	S *	5/2014	Lasserre	D10/39
D708,072	S *	7/2014	Oes	D10/32
2010/0214879	A1 *	8/2010	Lechot	G04B 15/00 368/101

* cited by examiner

Primary Examiner — Martie K Holtje

(74) *Attorney, Agent, or Firm* — Sughrue Mion, PLLC

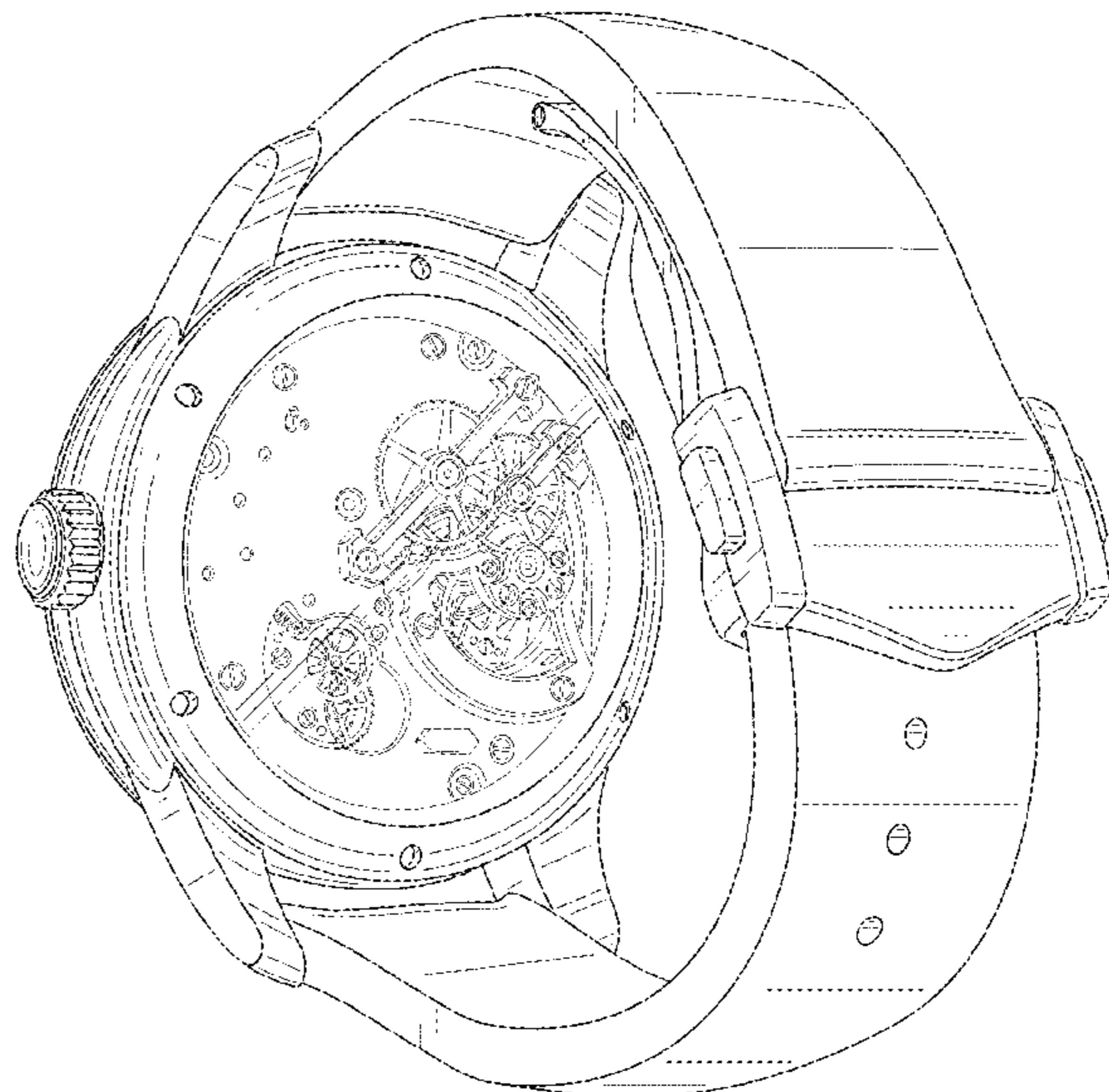
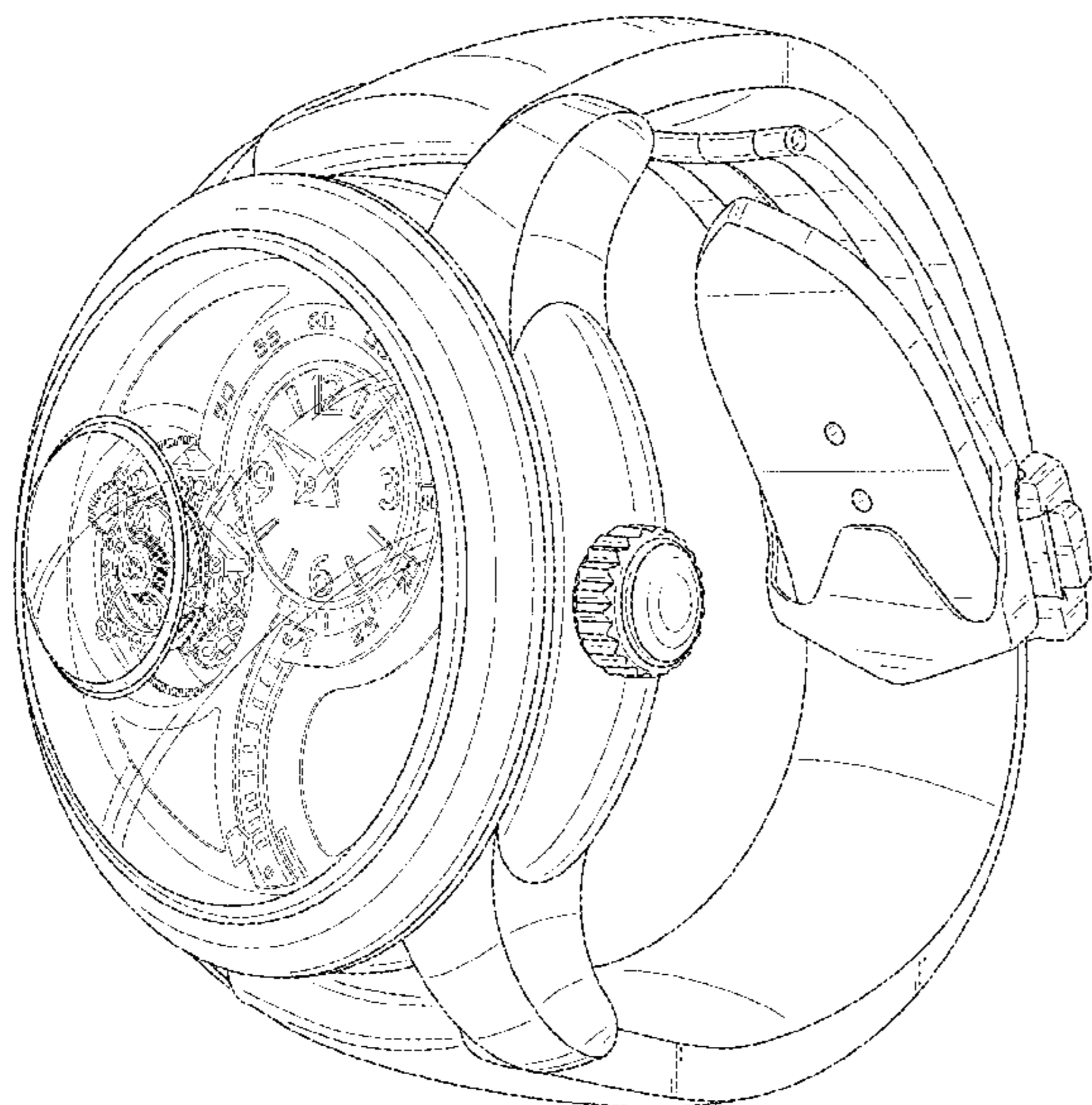
(57) **CLAIM**

The ornamental design for a wristwatch, as shown and described.

DESCRIPTION

FIG. 1 is a front perspective view of a wristwatch showing our new design, with the flexible band shown in a closed configuration;
FIG. 2 is a rear perspective view thereof;
FIG. 3 is a front elevational view thereof;
FIG. 4 is a rear elevational view thereof;
FIG. 5 is a left side elevational view thereof;
FIG. 6 is a right side elevational view thereof;
FIG. 7 is a top plan view thereof; and,
FIG. 8 is a bottom plan view thereof.

1 Claim, 8 Drawing Sheets



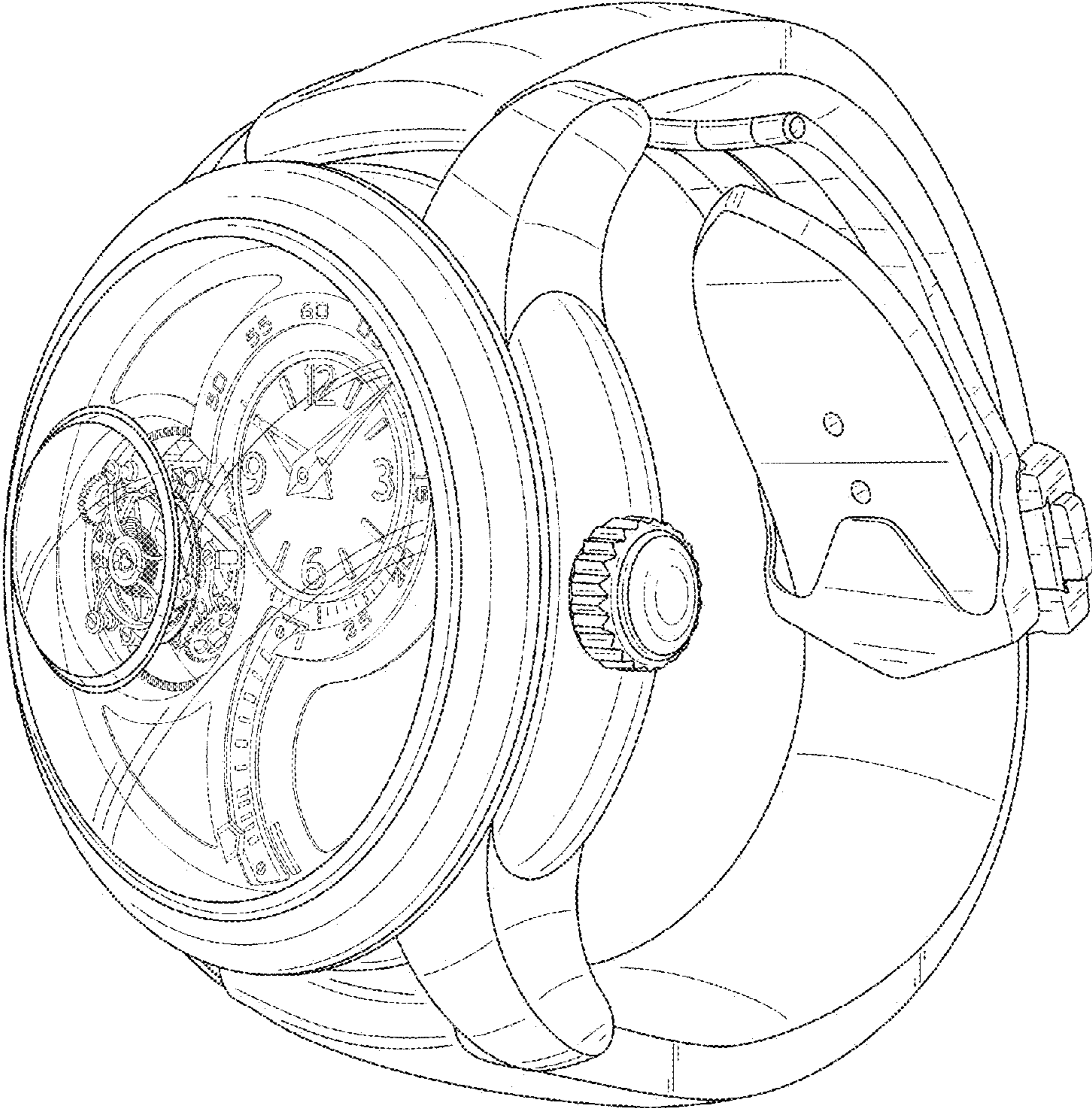


FIG. 1

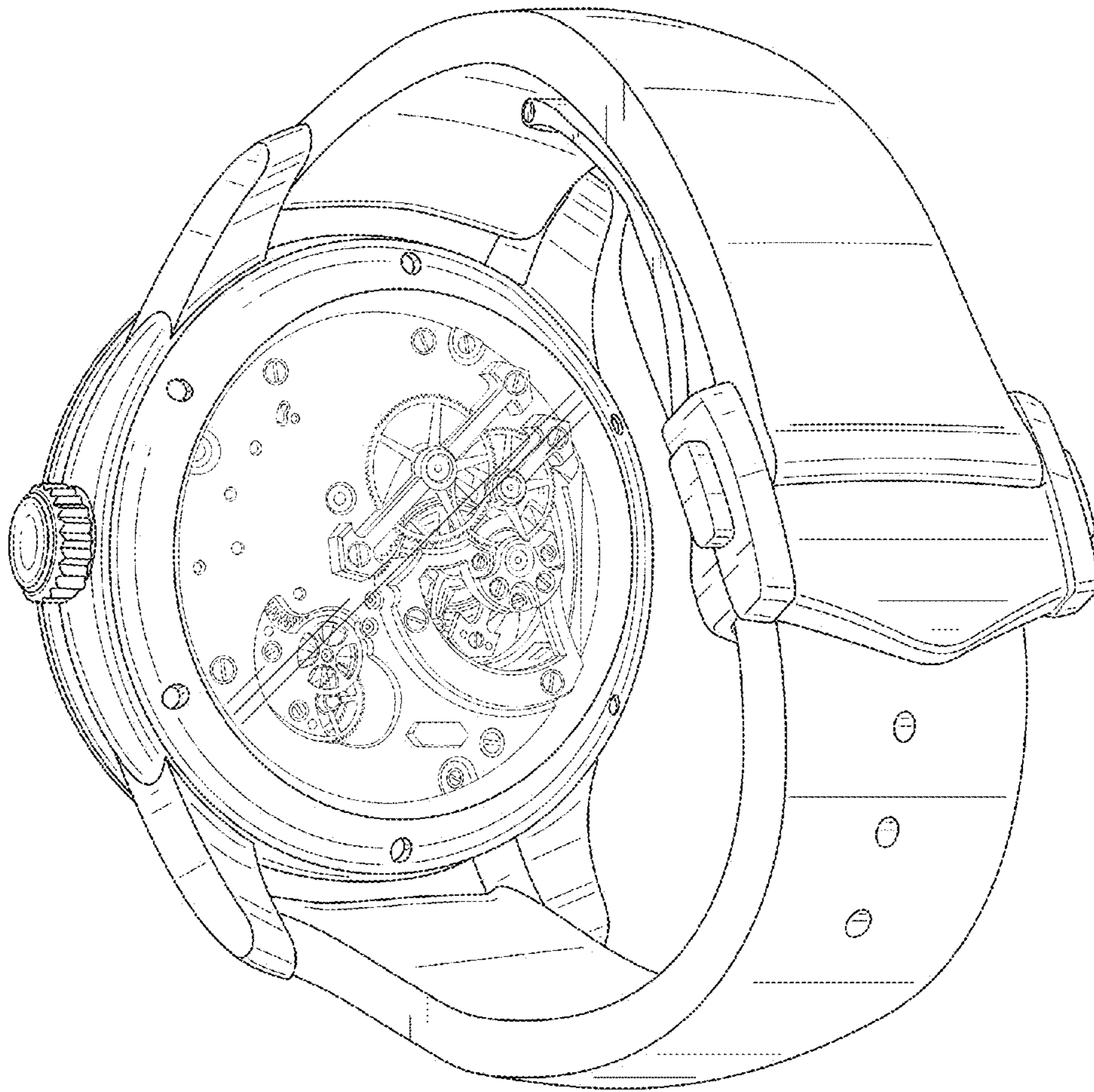


FIG. 2



FIG. 3

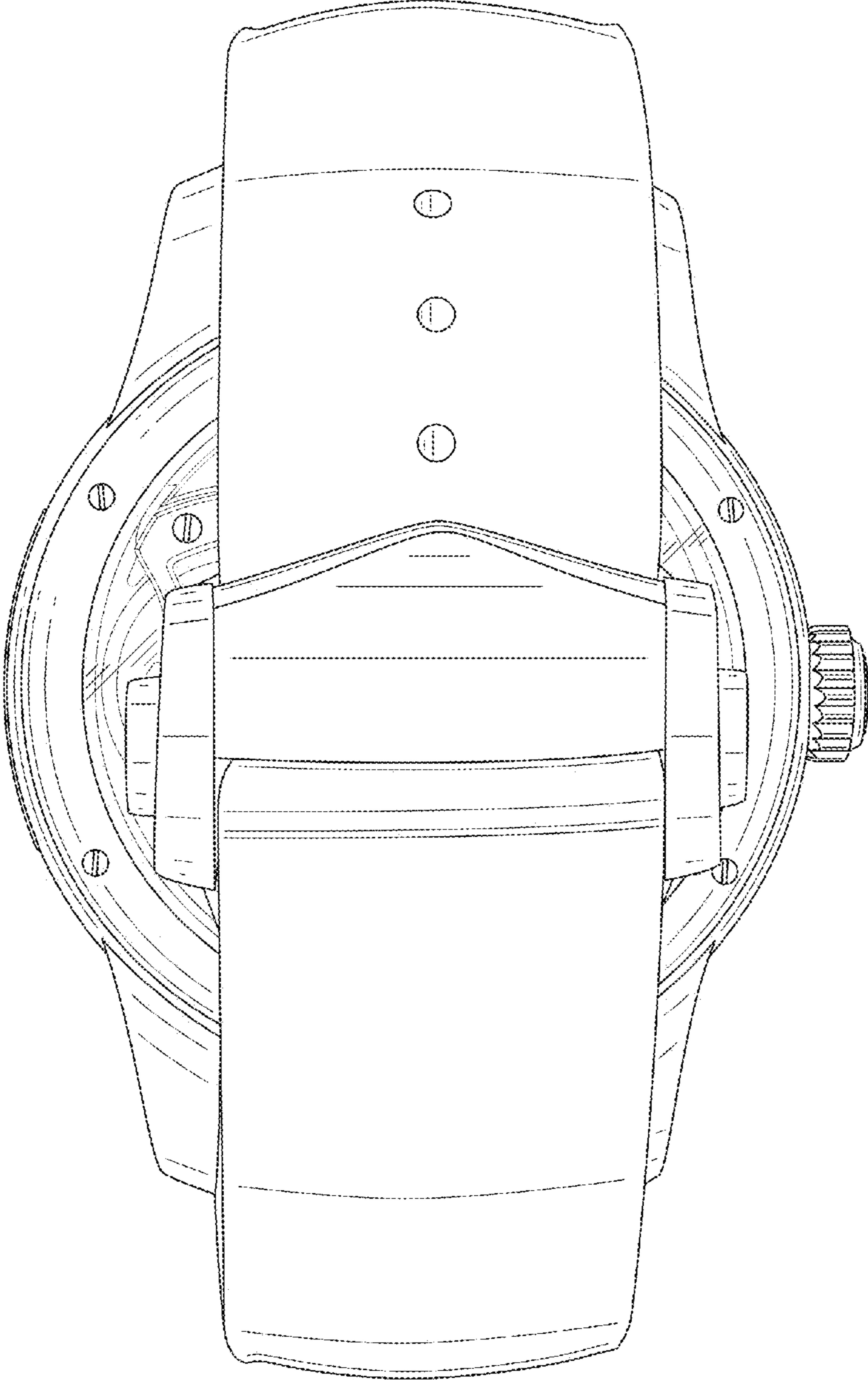


FIG. 4

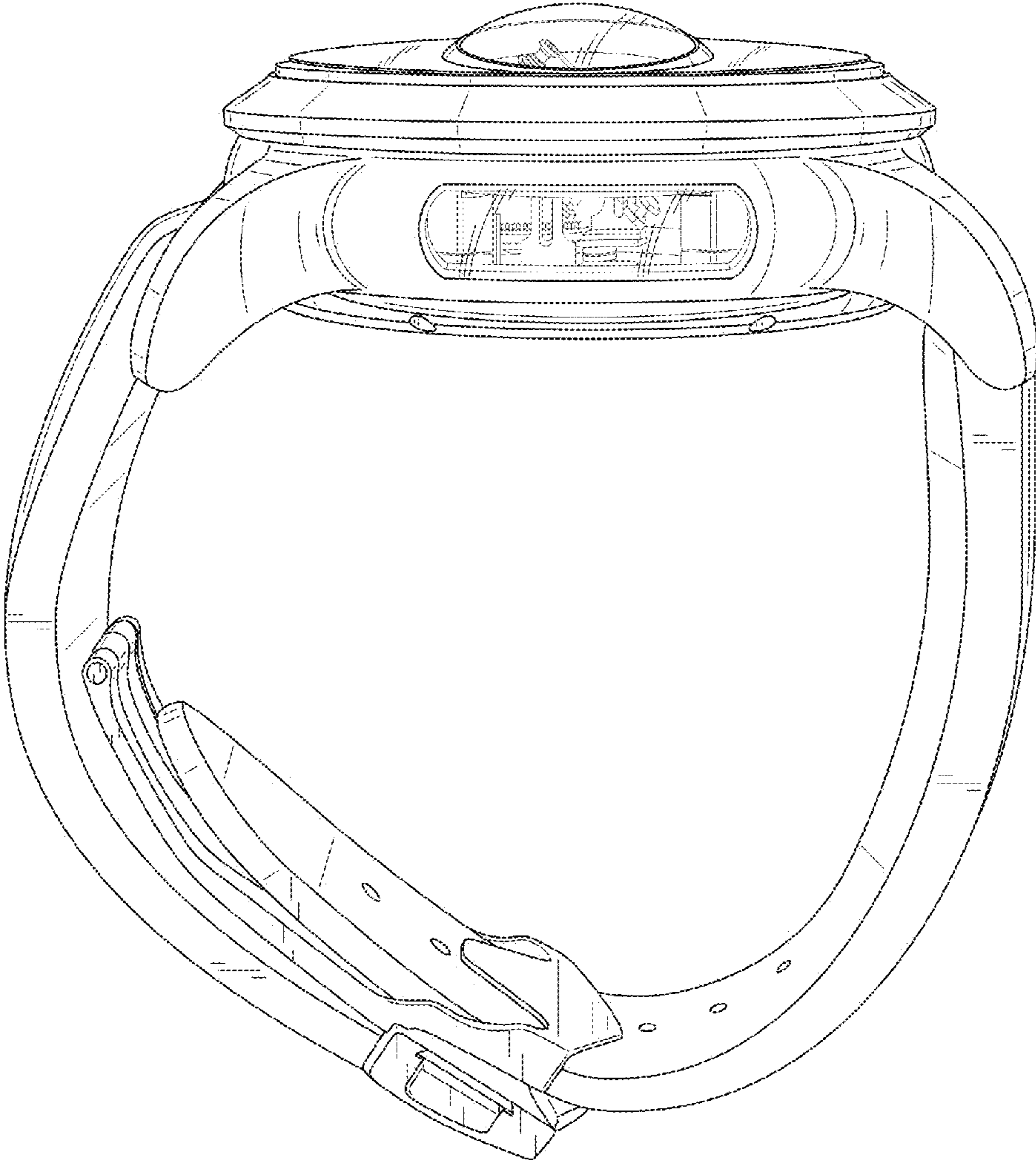


FIG. 5

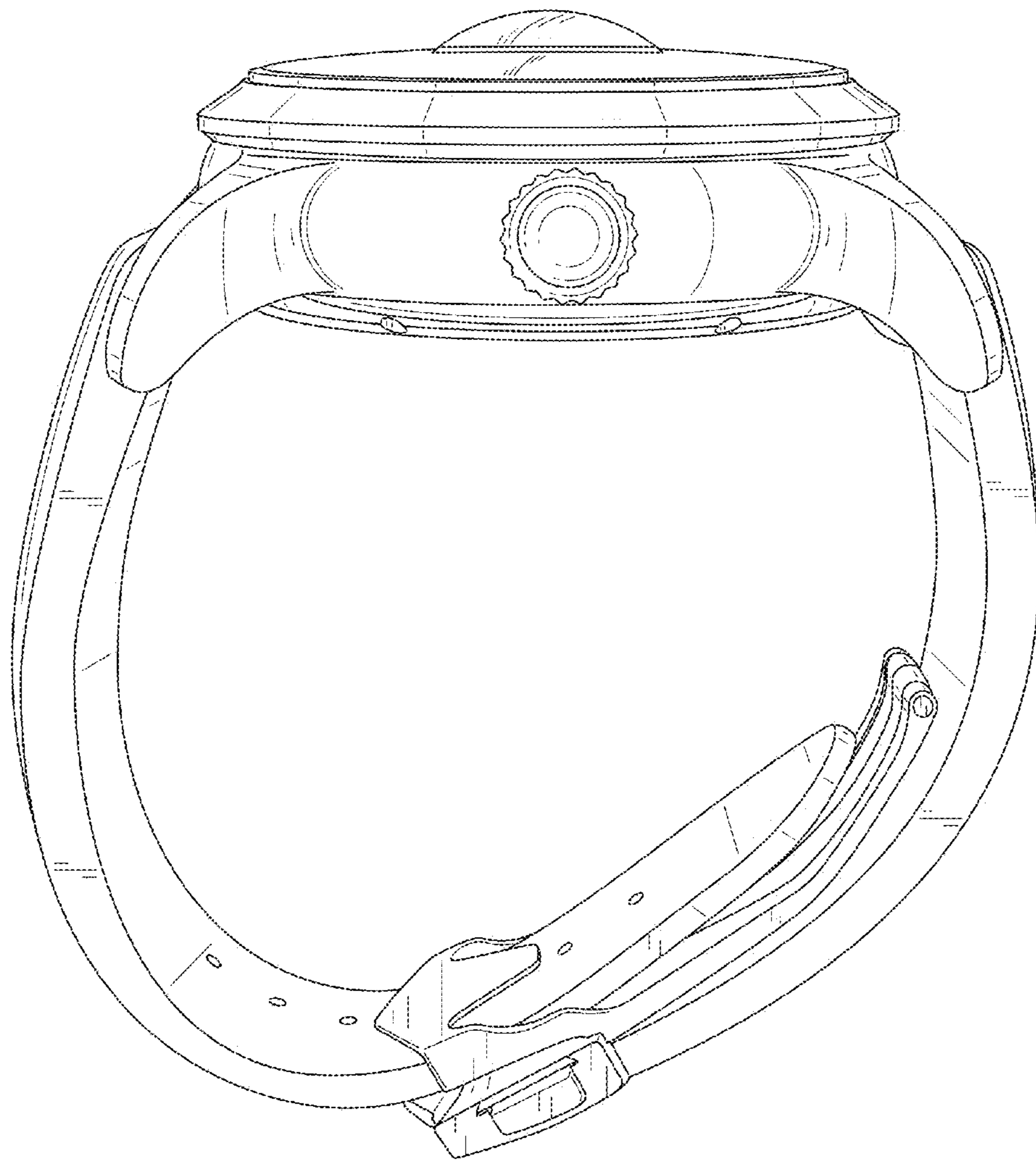


FIG. 6

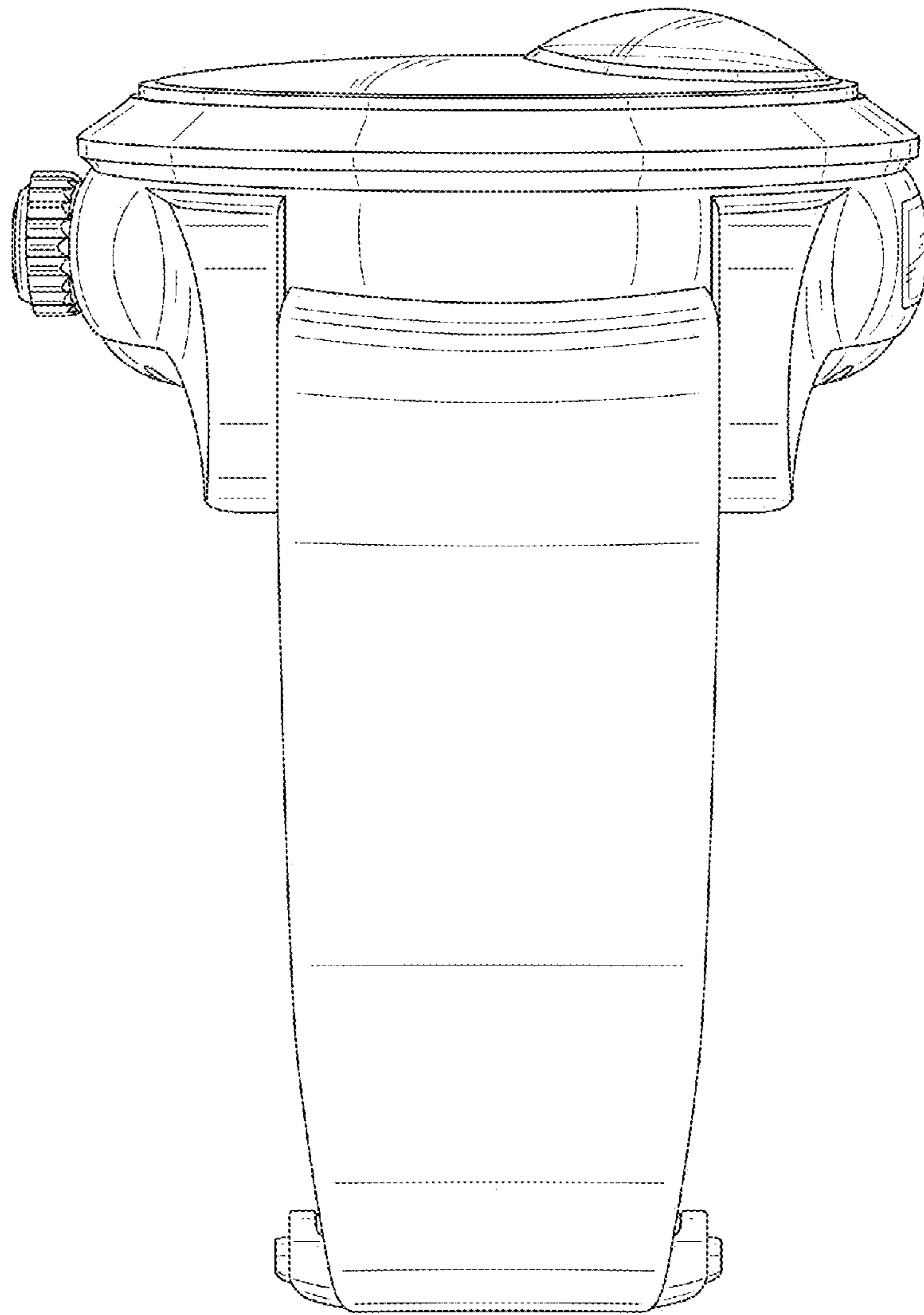


FIG. 7

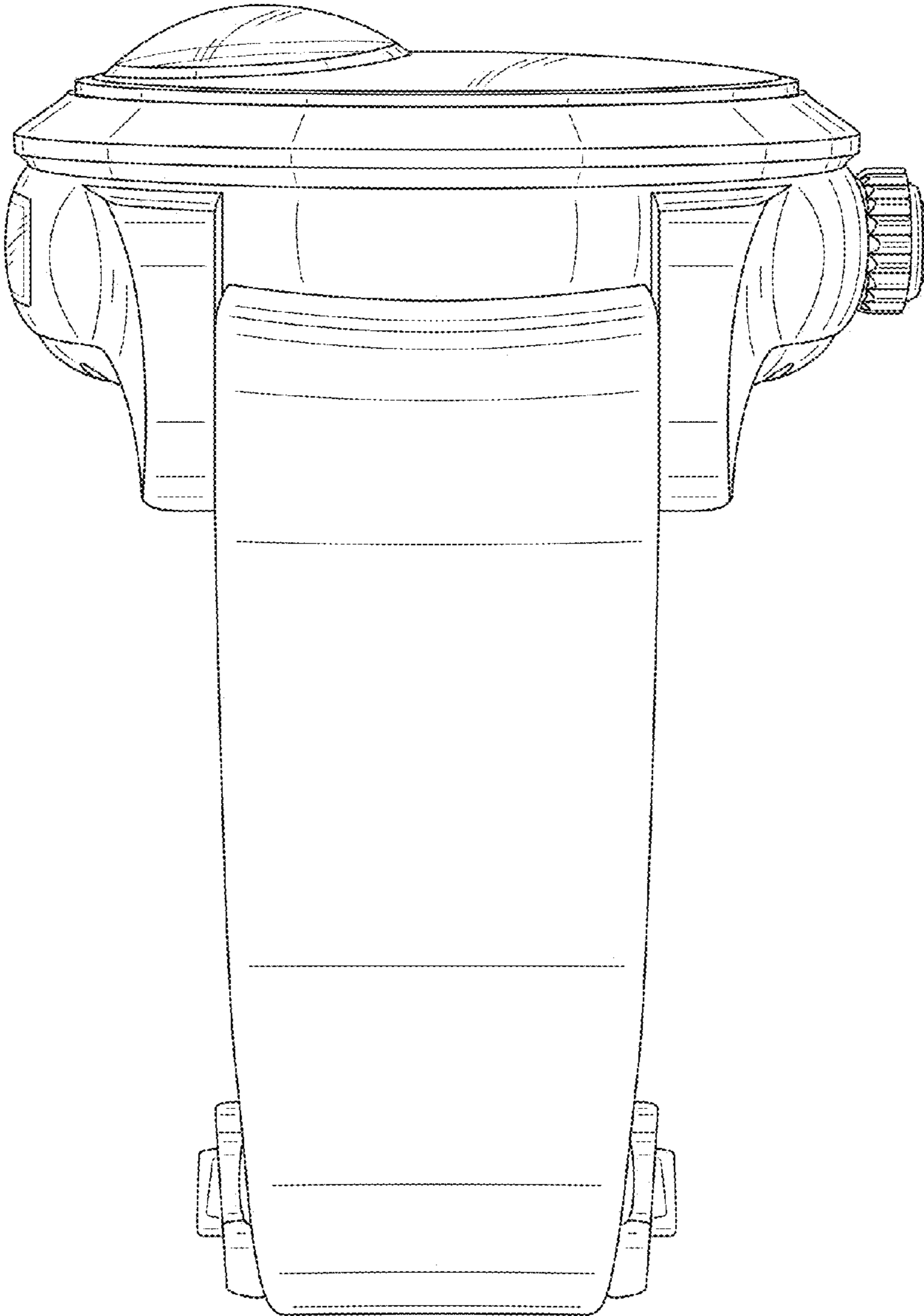


FIG. 8