



US00D757563S

(12) **United States Design Patent**
Lee

(10) **Patent No.:** **US D757,563 S**
(45) **Date of Patent:** **** May 31, 2016**

(54) **PUMPING VESSEL FOR PACKING
COSMETIC PRODUCTS**

(71) Applicant: **YONWOO CO., LTD.**, Incheon (KR)

(72) Inventor: **Jae Ock Lee**, Incheon (KR)

(73) Assignee: **YONWOO CO., LTD.**, Incheon (KR)

(**) Term: **14 Years**

(21) Appl. No.: **29/520,393**

(22) Filed: **Mar. 13, 2015**

(30) **Foreign Application Priority Data**

Sep. 19, 2014 (KR) 30-2014-0045390

(51) **LOC (10) Cl.** **09-01**

(52) **U.S. Cl.**
USPC **D9/690**

(58) **Field of Classification Search**
USPC D9/682-694, 516, 529, 434-436, 445,
D9/447-450, 454; D28/76, 77, 88, 89,
D28/91.1

CPC B65D 83/14; B65D 83/16; B65D 83/20;
B65D 83/205; B65D 83/206; B65D 83/22;
B65D 83/222; B65D 83/28; B65D 83/38;
B65D 83/384; B65D 83/386; B65D 83/388;
B65D 83/226; B65D 83/285; B65D 83/30;
B65D 83/303; B65D 83/306; B65D 83/40;
B05B 11/00; B05B 11/0027; B05B 11/0035;
B05B 11/0037; B05B 11/0054; B05B
11/3001; B05B 11/3004; B05B 11/3042;
B05B 11/3052; B05B 11/3059; B05B 11/306;
A45D 34/00; A45D 34/02; A45D 34/04;
A45D 34/041; A45D 2034/005; A45D
2034/007

See application file for complete search history.

(56) **References Cited**

U.S. PATENT DOCUMENTS

5,052,592 A * 10/1991 Wilken B65D 83/0033
222/212

D406,761 S * 3/1999 Garcia D9/434
D413,257 S * 8/1999 Favre D9/690
D455,960 S * 4/2002 Dobbs D9/448
D499,338 S * 12/2004 Mulder D9/500
D503,086 S * 3/2005 Tsai D9/685
D521,386 S * 5/2006 Priestman D28/76
D578,894 S * 10/2008 Seum D9/504
D614,031 S * 4/2010 Creed D9/454
D628,086 S * 11/2010 Tanner D28/4
D683,238 S * 5/2013 You D9/688
D708,961 S * 7/2014 Jung D9/723
D714,655 S * 10/2014 Kim D9/692
D715,156 S * 10/2014 Park D9/688
8,915,400 B2 * 12/2014 Muller B05B 11/3001
222/113

(Continued)

FOREIGN PATENT DOCUMENTS

KR 300544812.0001 * 11/2009
KR 300569208.0000 * 8/2010

(Continued)

Primary Examiner — Catherine Tuttle

(74) *Attorney, Agent, or Firm* — Marshall, Gerstein & Borun
LLP

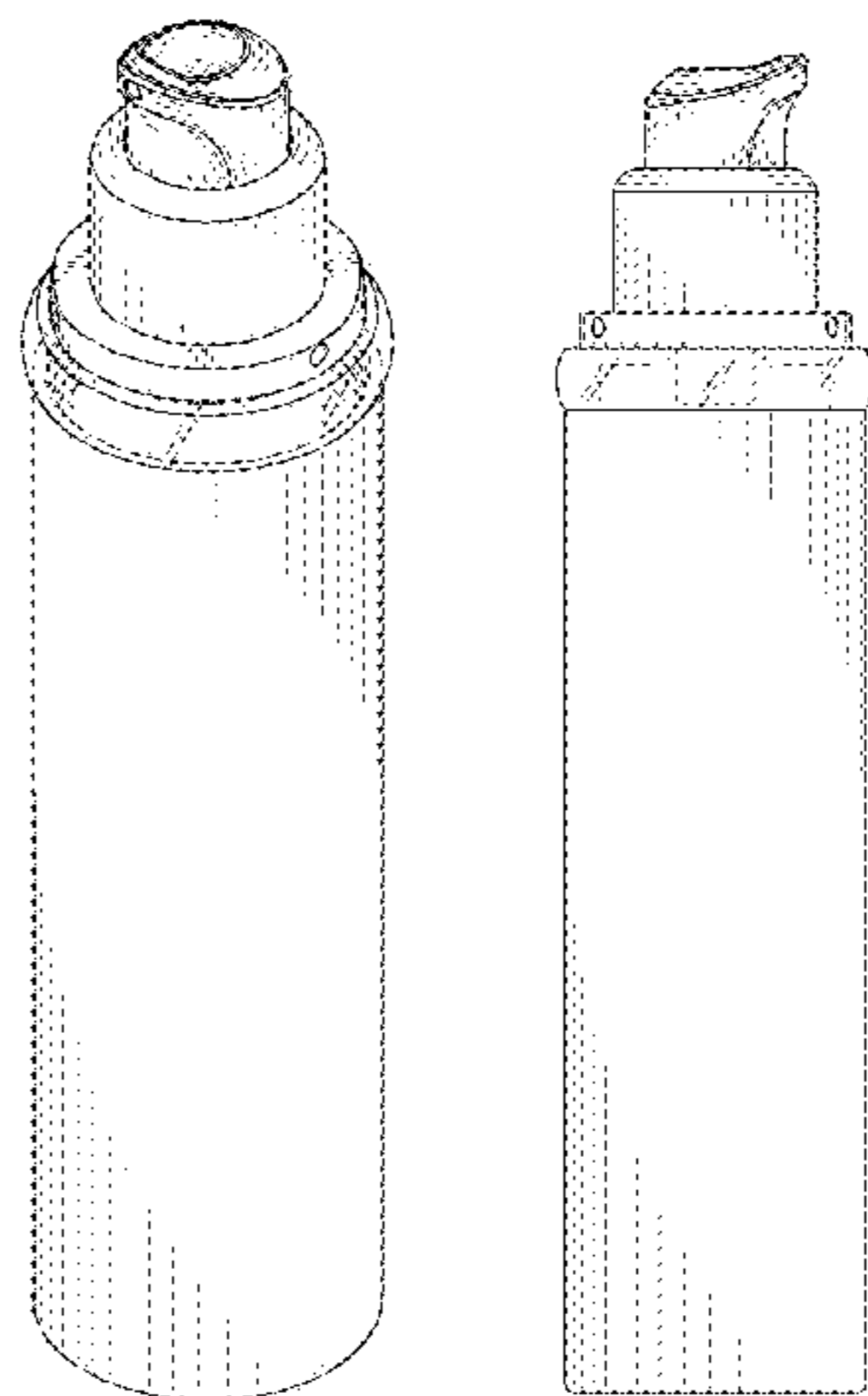
(57) **CLAIM**

The applicant claims the ornamental design for a pumping
vessel for packing cosmetic products, as shown and
described.

DESCRIPTION

FIG. 1 is a perspective view of a pumping vessel for packing
cosmetic products showing my new design;
FIG. 2 is a front elevational view thereof;
FIG. 3 is a rear elevational view thereof;
FIG. 4 is a left side elevational view thereof, a right side
elevational view is a mirror image of the left side elevational
view;
FIG. 5 is a top plan view thereof; and,
FIG. 6 is a bottom plan view thereof.

1 Claim, 6 Drawing Sheets



(56)

References Cited

FOREIGN PATENT DOCUMENTS

U.S. PATENT DOCUMENTS

D723,934 S * 3/2015 Kim D9/691
D727,168 S * 4/2015 Raghupati D9/688
2008/0087685 A1* 4/2008 Bloc B05B 11/3052
222/320
2015/0071801 A1* 3/2015 De Regt B05B 11/0016
417/472

KR 300645946.0000 * 6/2012
KR 300684618.0000 * 3/2013
KR 300757463.0000 * 8/2014
KR 302915062 * 8/2014

* cited by examiner

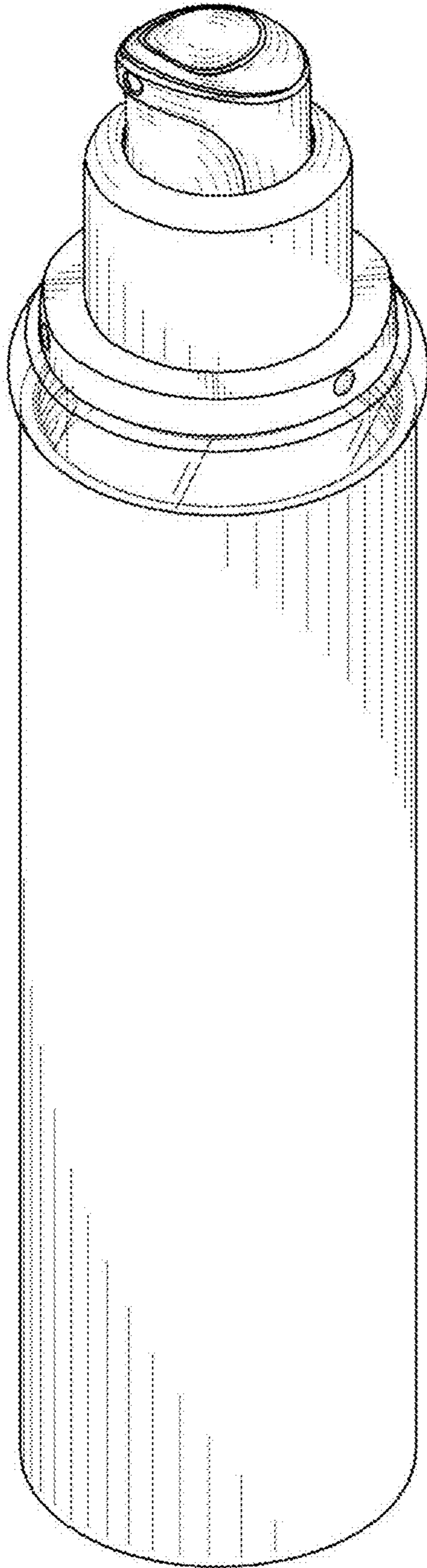


Fig. 1

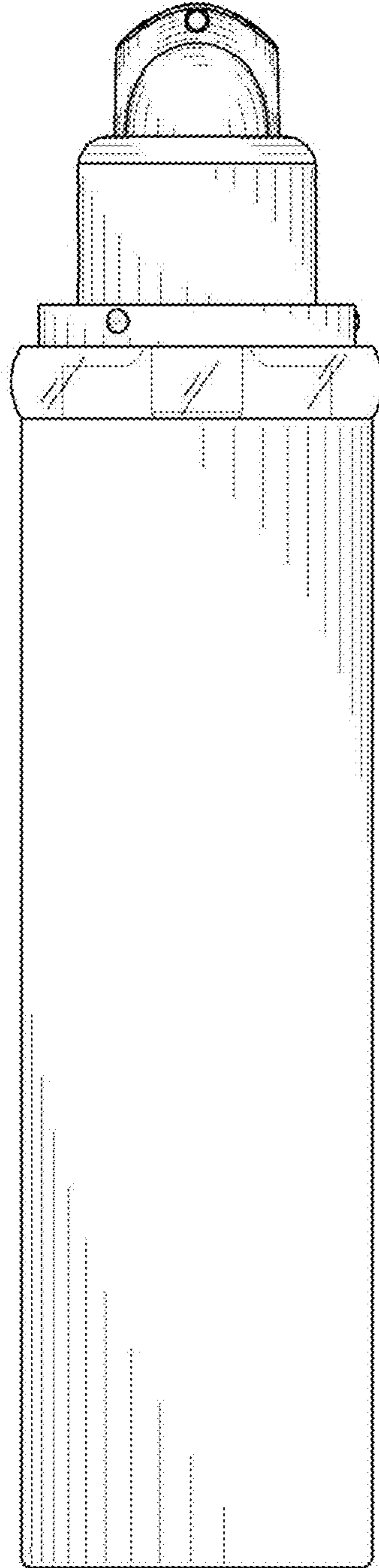


Fig. 2

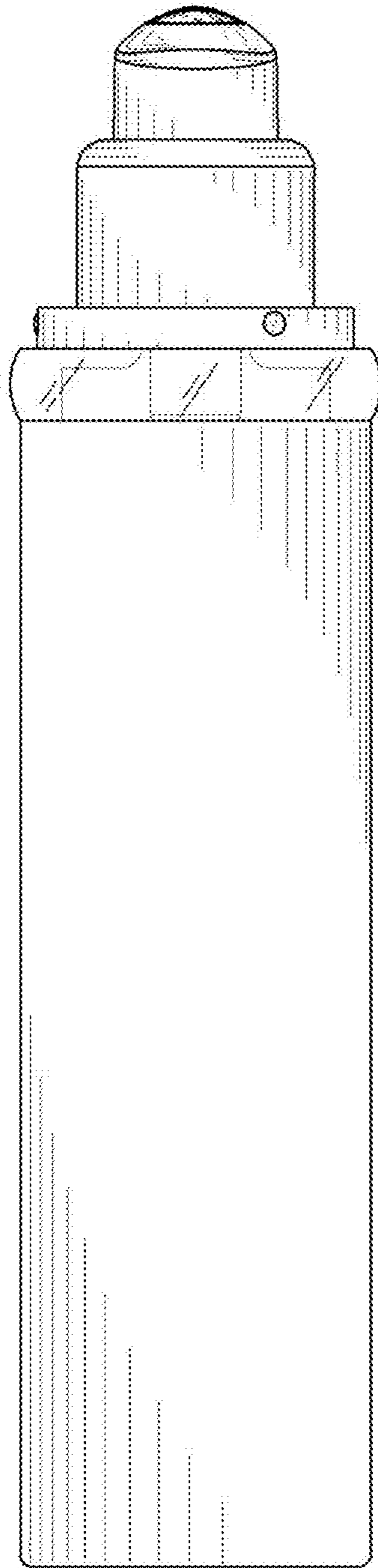


Fig. 3

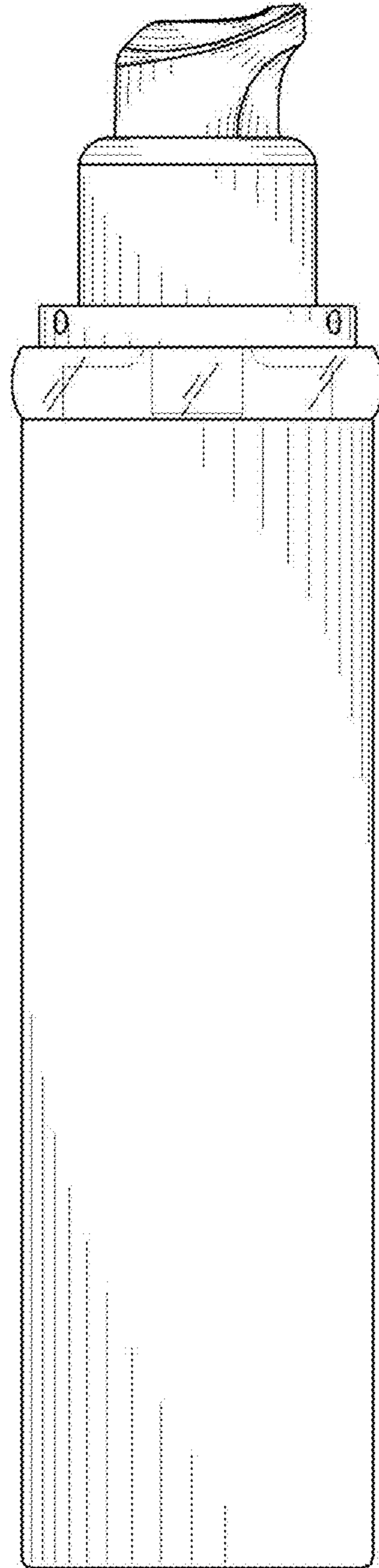


Fig. 4

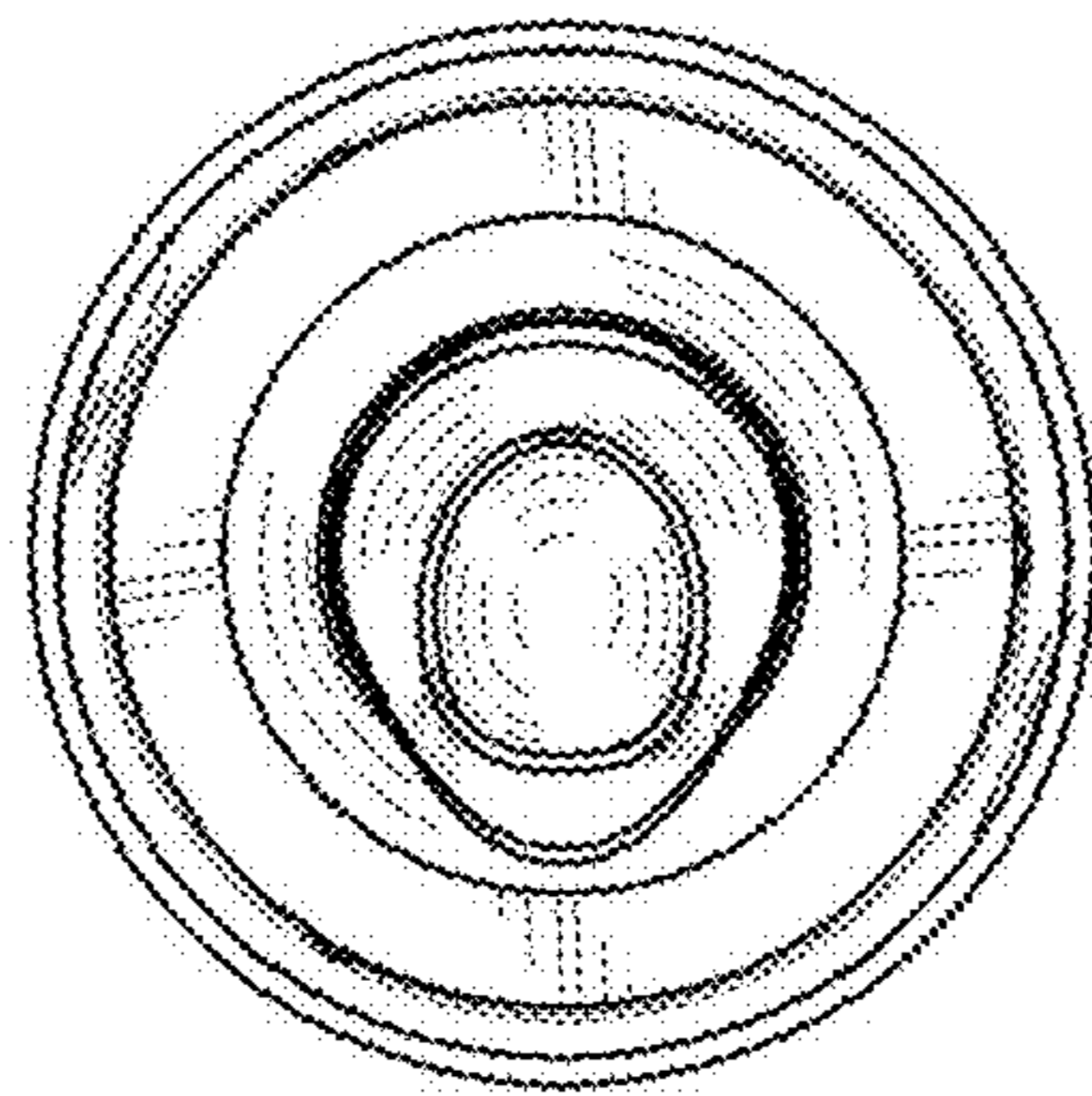


Fig. 5

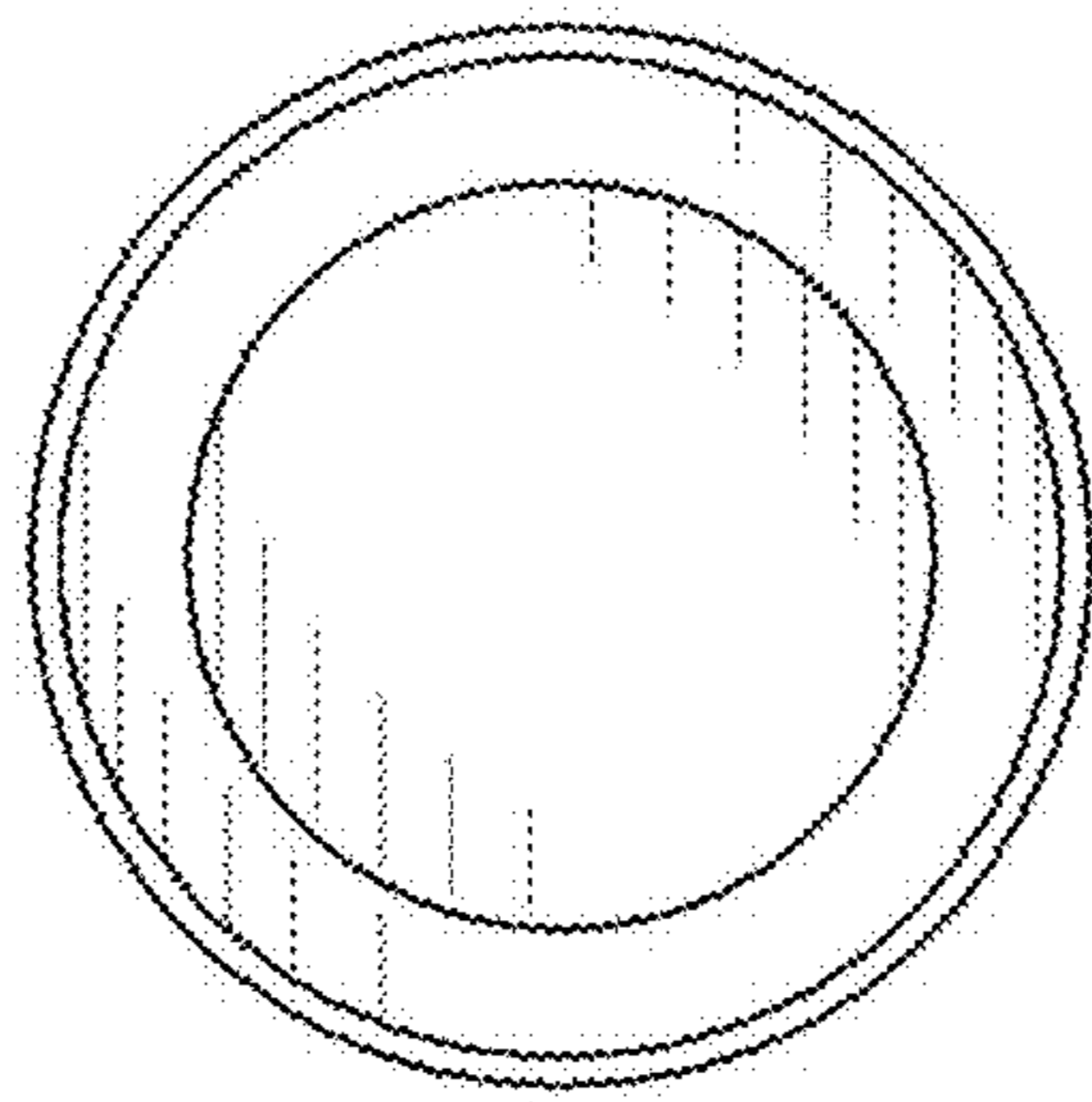


Fig. 6