



US00D757562S

(12) **United States Design Patent**
Jung et al.

(10) **Patent No.:** **US D757,562 S**

(45) **Date of Patent:** **** May 31, 2016**

(54) **PUMPING VESSEL FOR PACKING
COSMETIC**

(71) Applicant: **YONWOO CO., LTD.**, Incheon (KR)

(72) Inventors: **Shin-Bok Jung**, Incheon (KR);
Hak-Chan Kim, Incheon (KR)

(73) Assignee: **YONWOO CO., LTD.**, Incheon (KR)

(**) Term: **14 Years**

(21) Appl. No.: **29/502,067**

(22) Filed: **Sep. 11, 2014**

(30) **Foreign Application Priority Data**

Mar. 12, 2014 (KR) 30-2014-0012373

(51) **LOC (10) Cl.** **09-01**

(52) **U.S. Cl.**
USPC **D9/690**

(58) **Field of Classification Search**

USPC D9/682-694, 500-505, 695, 723-729,
D9/435, 436, 442, 445, 447-450; D28/76,
D28/77, 86, 88, 89, 90, 91.1

CPC A45D 34/00; A45D 34/02; A45D 34/04;
A45D 34/041; A45D 2200/0051; A45D
2200/055; A45D 2200/056; A45D 2200/057;
A45D 2200/058; A45D 40/0068; A45D
40/0075; A45D 40/22; A45D 40/222; A45D
40/24; A45D 33/026; A45D 33/02; A45D
33/025; A45D 33/16; A45D 40/26; A45D
40/223; A45D 40/224; B05B 11/00; B05B
11/0027; B05B 11/0037; B05B 11/0054;
B05B 11/0072; B05B 11/3001; B05B
11/3002; B05B 11/3004; B05B 11/3005;
B05B 11/3007; B05B 11/3008; B05B
11/3009; B05B 11/3011; B05B 11/3012;
B05B 11/3014; B05B 11/3015; B05B
11/3016; B05B 11/3018; B05B 11/3019;
B05B 11/3021; B05B 11/3022; B05B
11/3023; B05B 11/3025; B05B 11/3026;
B05B 11/3028; B05B 11/3029; B05B 11/303;

B05B 11/3032; B05B 11/3033; B05B
11/3035; B05B 11/3036; B05B 11/3038;
B05B 11/3039; B05B 11/304; B05B 11/3042;
B05B 11/3043; B05B 11/3045; B05B 1/3046;
B05B 11/3047; B05B 11/3049; B05B 11/305;
B05B 11/3052; B05B 11/3053; B05B
11/3054; B05B 11/3056; B05B 11/3057;
B05B 11/3059; B05B 11/306; B65D 83/14;
B65D 83/16; B65D 83/20; B65D 83/201;
B65D 83/202; B65D 83/203; B65D 83/205;
B65D 83/206; B65D 83/207; B65D 83/22;
B65D 83/222; B65D 83/28; B65D 83/30;
B65D 83/32; B65D 83/38; B65D 83/384;
B65D 83/386; B65D 83/40; B65D 83/75

See application file for complete search history.

(56) **References Cited**

U.S. PATENT DOCUMENTS

D128,936 S * 8/1941 Foley D3/203.2
D143,289 S * 12/1945 Elsas et al. D9/447

(Continued)

Primary Examiner — Catherine Tuttle

(74) *Attorney, Agent, or Firm* — Marshall, Gerstein & Borun
LLP

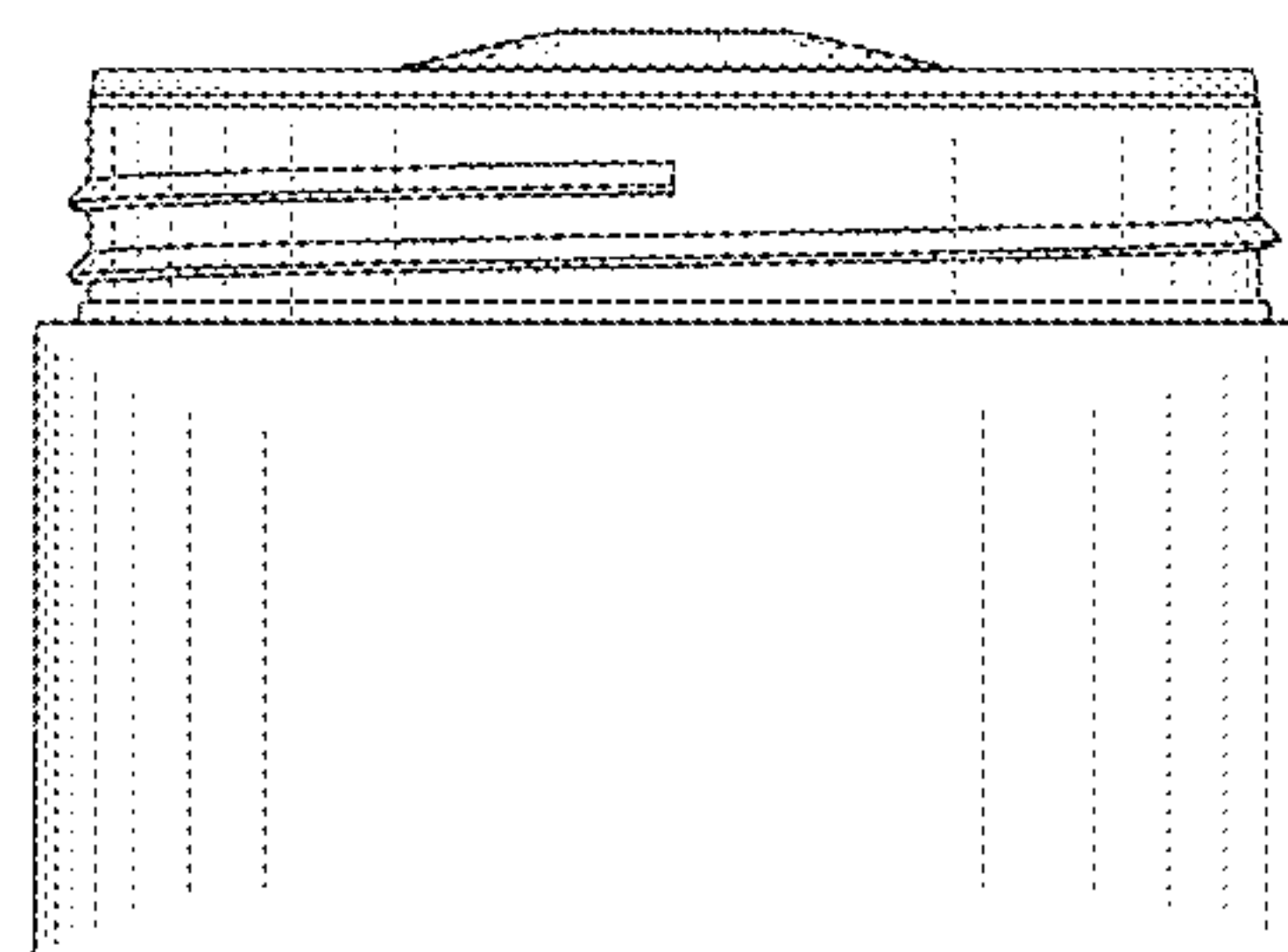
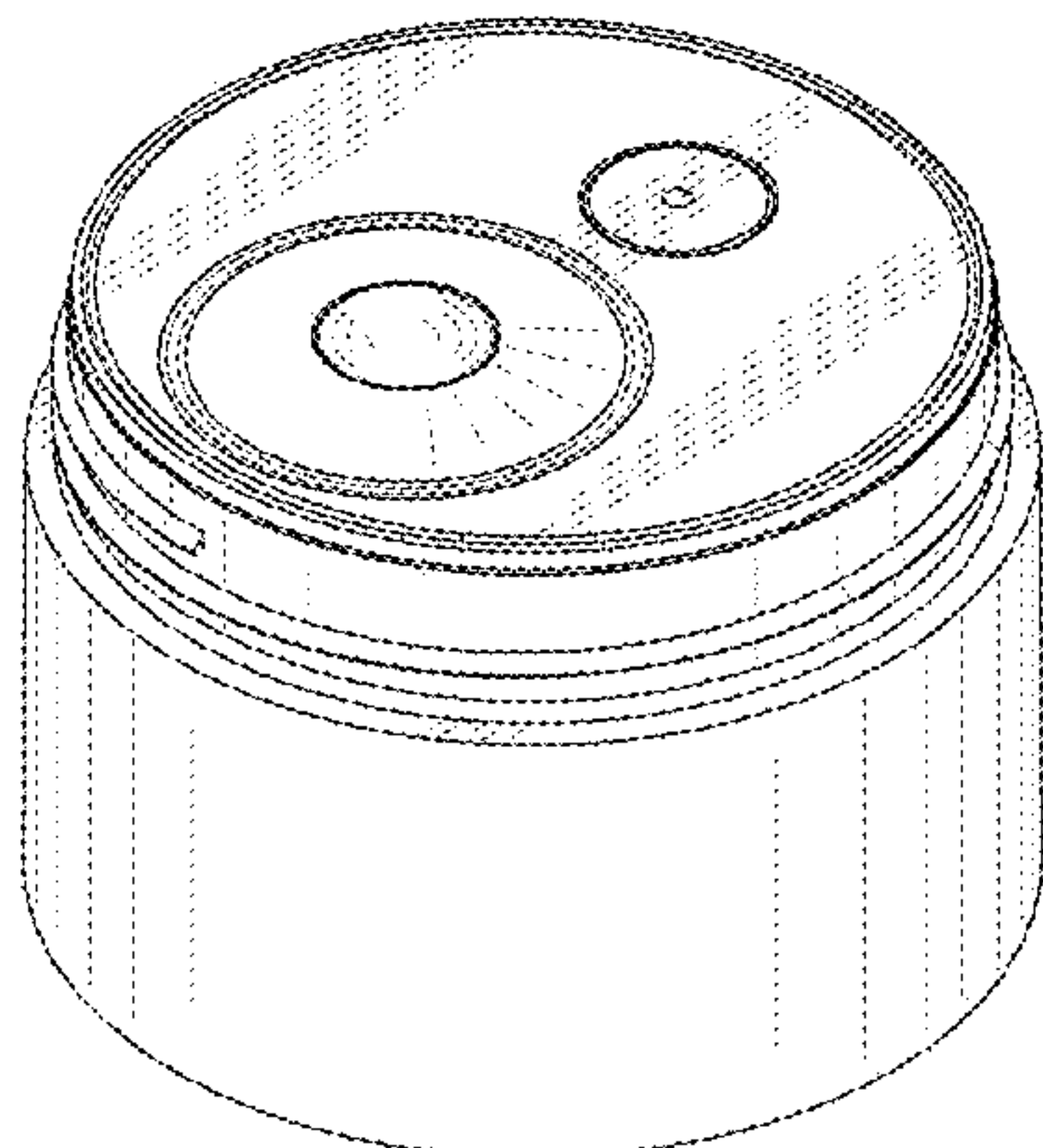
(57) **CLAIM**

The ornamental design for a pumping vessel for packing
cosmetic, as shown and described.

DESCRIPTION

FIG. 1 is a perspective view of a pumping vessel for packing
cosmetic showing the new design;
FIG. 2 is a front elevational view thereof;
FIG. 3 is a rear elevational view thereof;
FIG. 4 is a left side elevational view thereof;
FIG. 5 is a right side elevational view thereof;
FIG. 6 is a top plan elevational view thereof; and,
FIG. 7 is a bottom plan elevational view thereof.
The broken lines in FIGS. 1, 6, and 7 represent parts of the
pumping vessel for packing cosmetic that form no part of the
claimed design.

1 Claim, 7 Drawing Sheets



(56)

References Cited

U.S. PATENT DOCUMENTS

2,763,405	A *	9/1956	Shvetz	222/320	D630,949	S *	1/2011	Lim	D9/690
5,197,637	A *	3/1993	Naumann	222/207	8,109,412	B2 *	2/2012	Decottignies et al.	222/108
5,454,488	A *	10/1995	Geier	222/95	8,118,193	B2 *	2/2012	Law	222/205
6,655,557	B2 *	12/2003	Rousselet et al.	222/391	D657,691	S *	4/2012	Lim	D9/690
D522,378	S *	6/2006	Honda	D9/689	8,206,049	B2 *	6/2012	Thiebaut	401/122
D578,891	S *	10/2008	Canamasas Puigbo	D9/500	D691,897	S *	10/2013	Jung et al.	D9/690
7,654,420	B2 *	2/2010	Honda et al.	222/386	8,662,777	B2 *	3/2014	Thiebaut	401/122
					D721,284	S *	1/2015	Yeo	D9/690
					2012/0006853	A1 *	1/2012	Lim	222/256
					2012/0091168	A1 *	4/2012	Decottignies	222/205

* cited by examiner

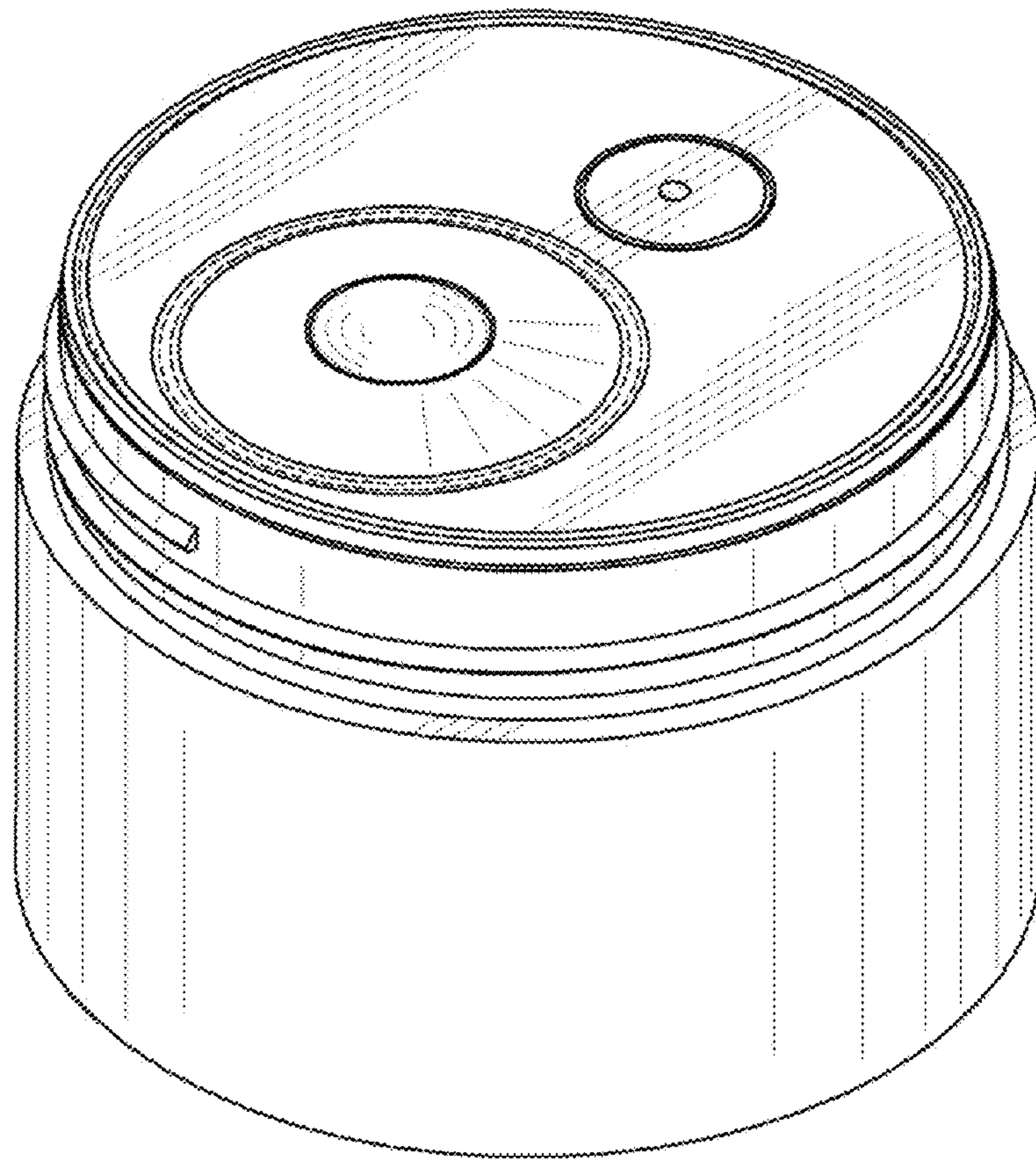


FIG. 1

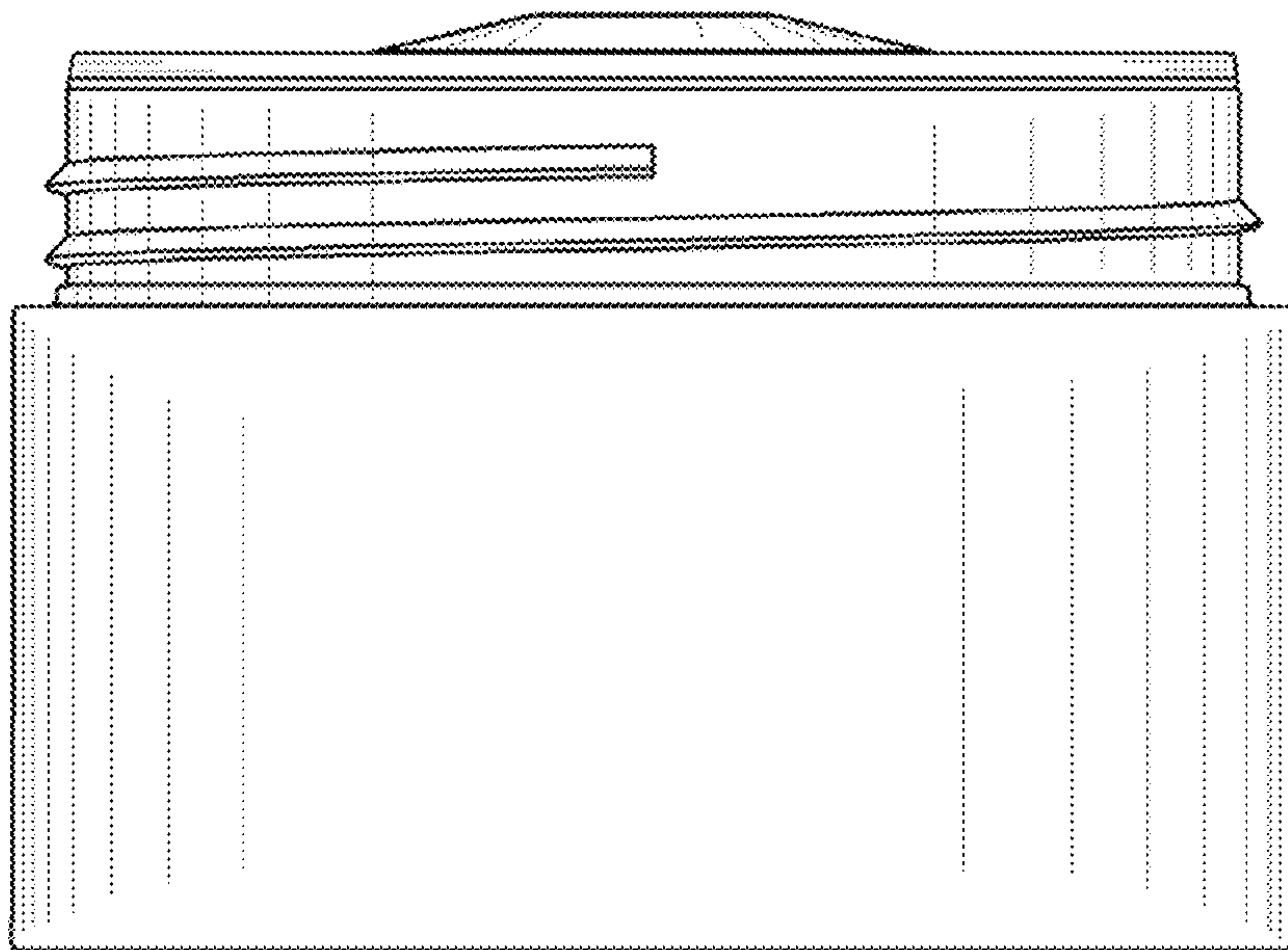


FIG. 2

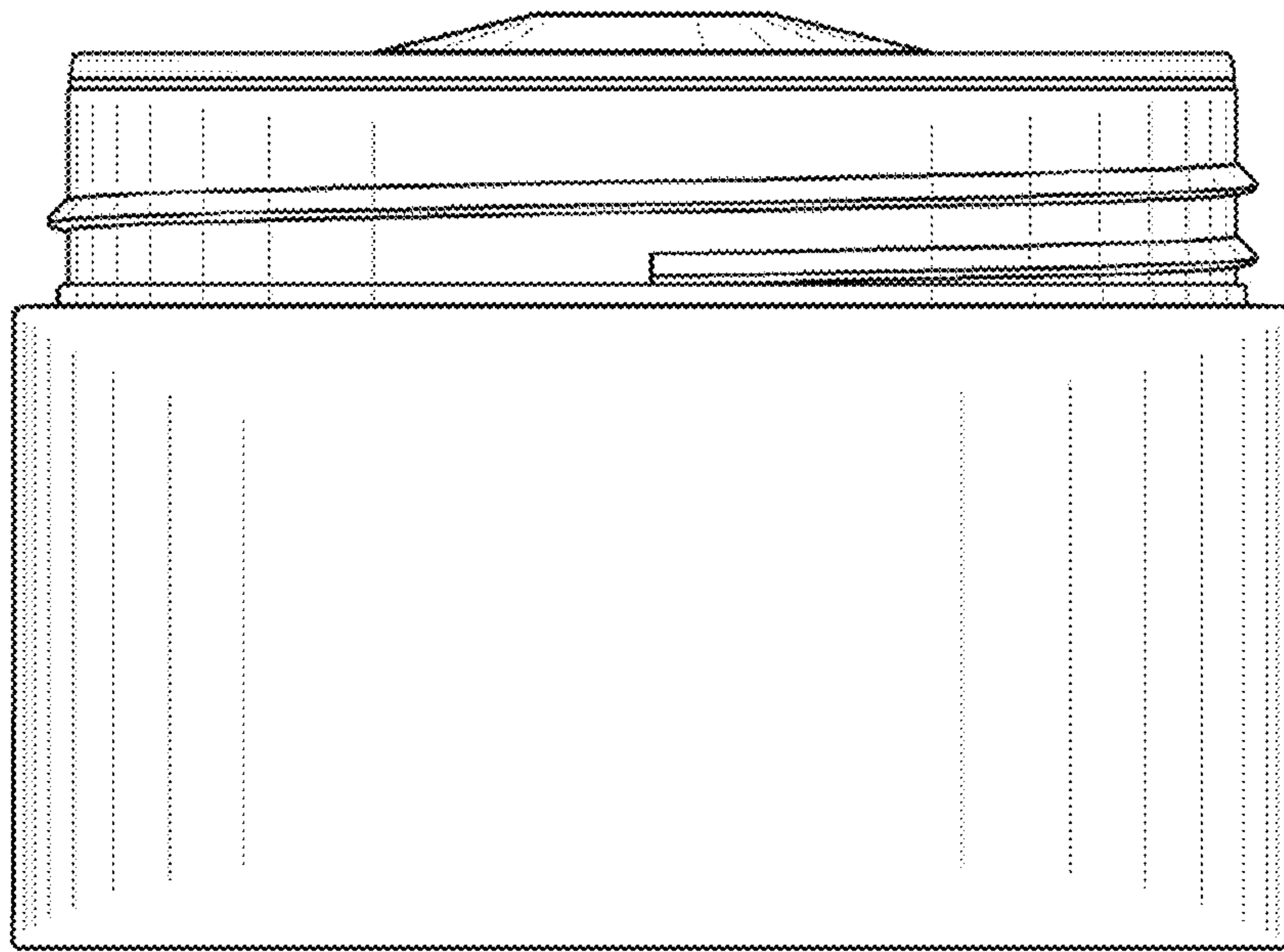


FIG. 3

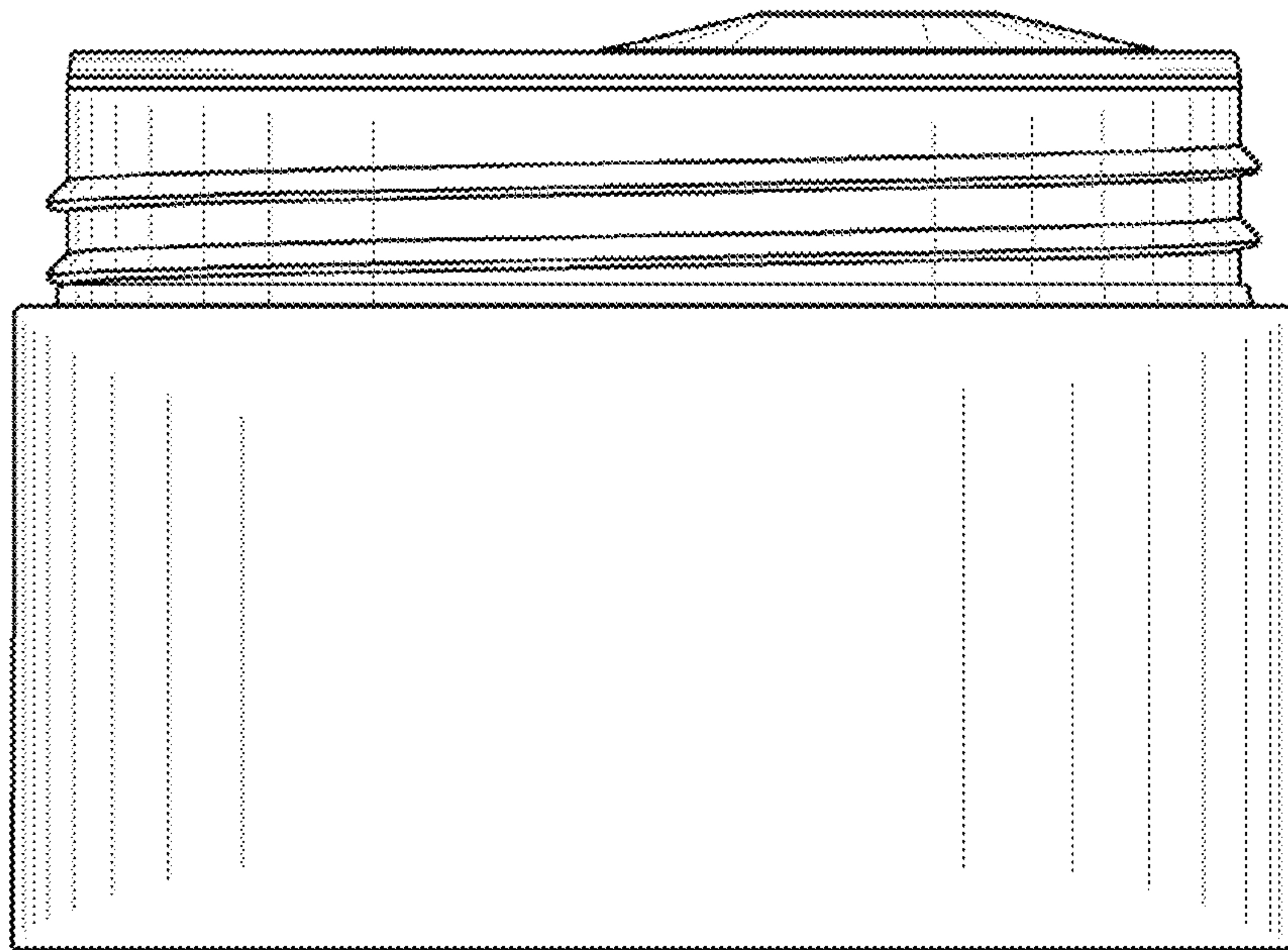


FIG. 4

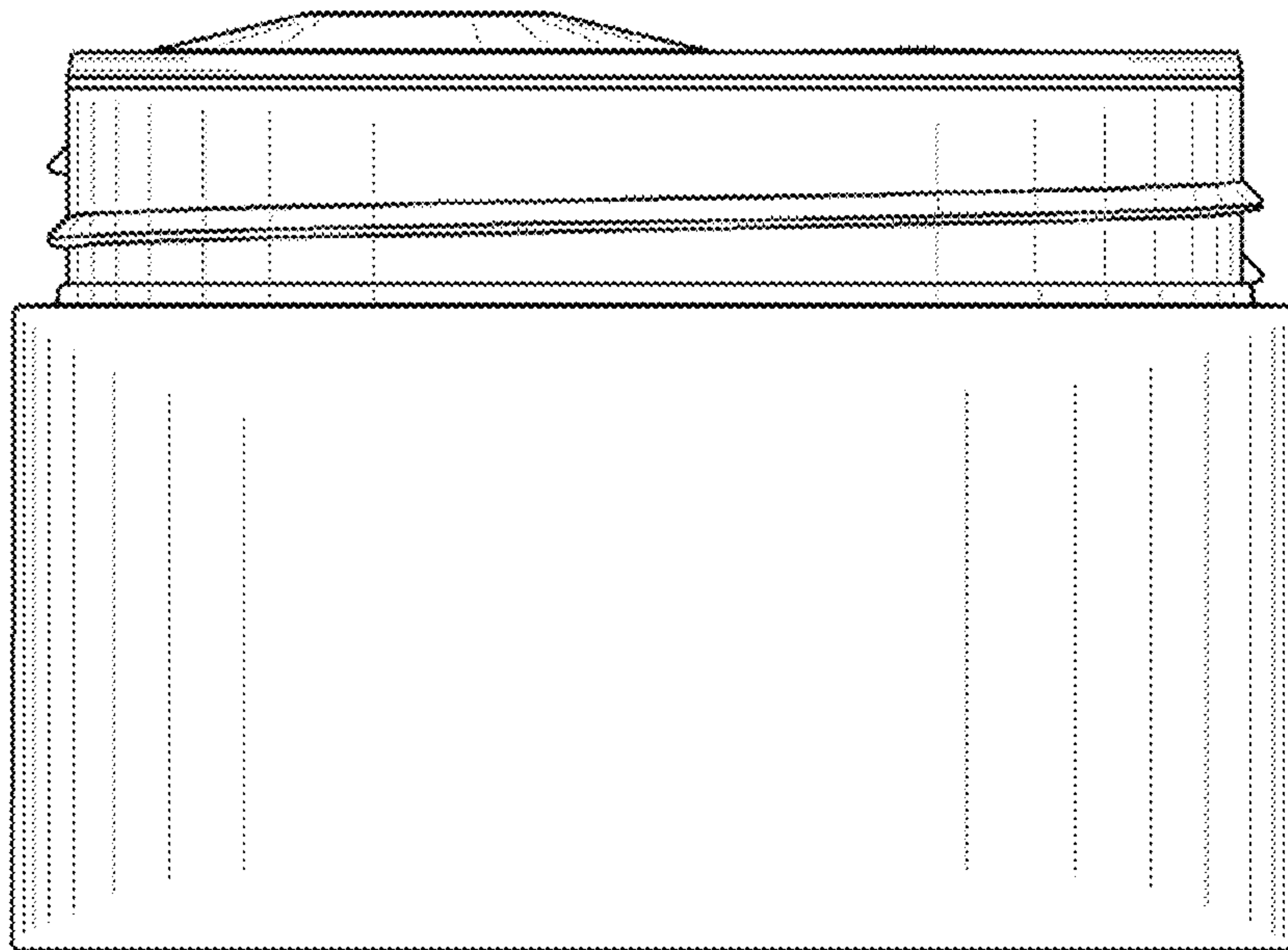


FIG. 5

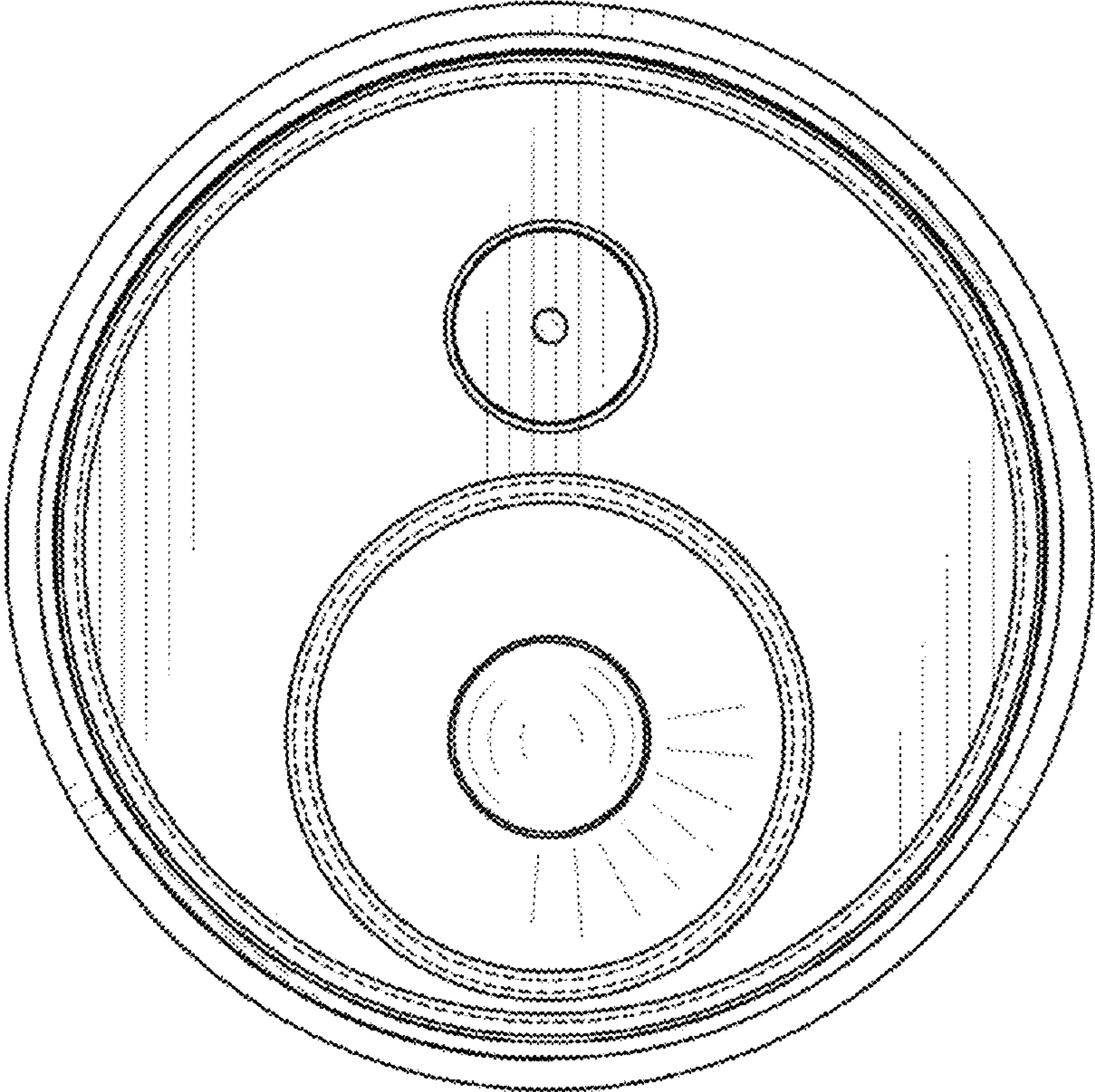


FIG. 6

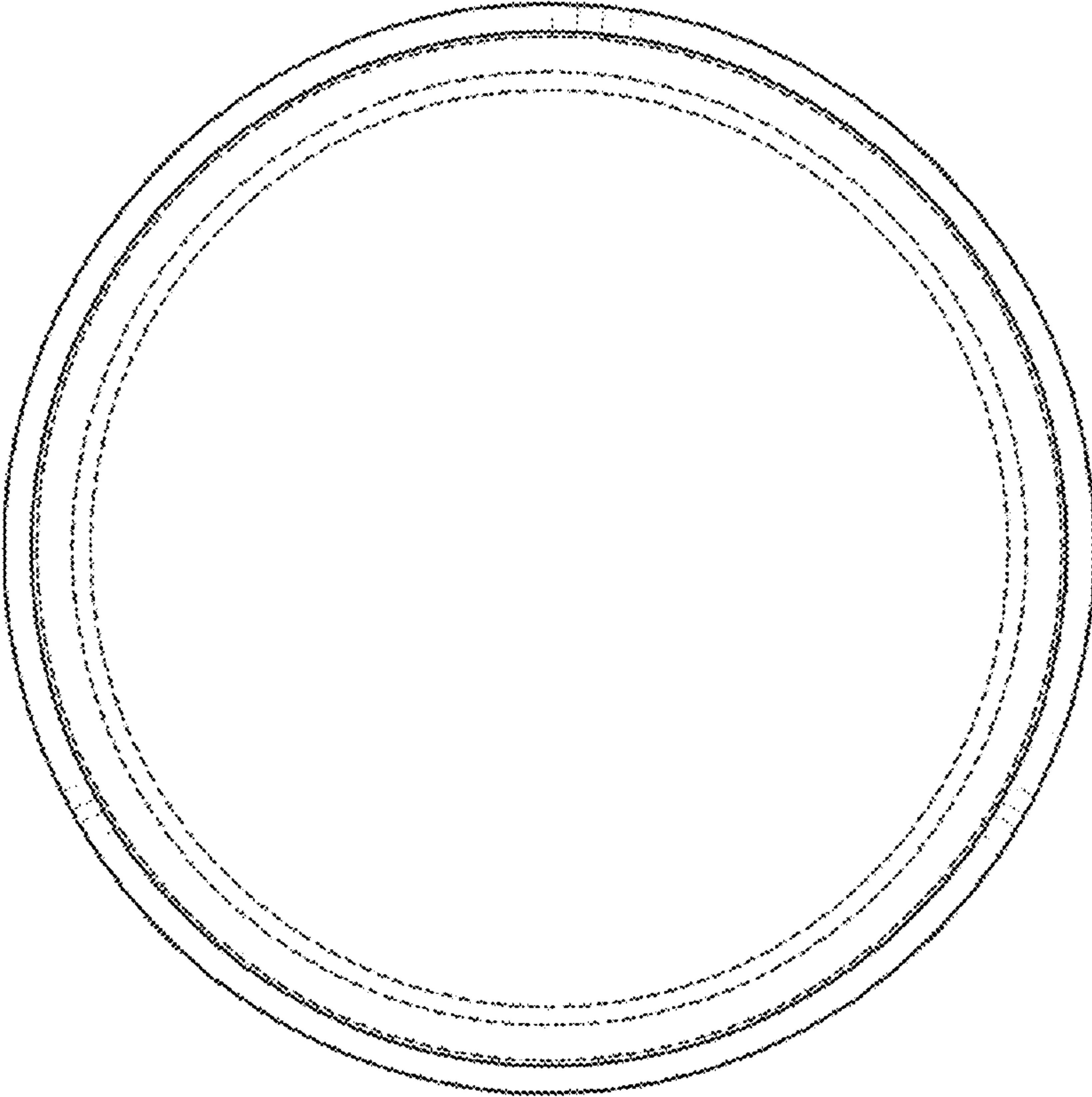


FIG. 7