



US00D757557S

(12) **United States Design Patent**
Melms, Jr. et al.

(10) **Patent No.:** **US D757,557 S**

(45) **Date of Patent:** **** May 31, 2016**

(54) **BOTTLE**

(71) Applicants: **Frederick G. Melms, Jr.**, Westminster, CO (US); **Christie Salina Parker**, Broomfield, CO (US)

(72) Inventors: **Frederick G. Melms, Jr.**, Westminster, CO (US); **Christie Salina Parker**, Broomfield, CO (US)

(73) Assignee: **Whitewave Services, Inc.**, Denver, CO (US)

(**) Term: **14 Years**

(21) Appl. No.: **29/476,784**

(22) Filed: **Dec. 17, 2013**

(51) **LOC (10) Cl.** **09-01**

(52) **U.S. Cl.**
USPC **D9/539; D9/530; D9/563; D9/565;**
D9/571; D9/574; D9/575

(58) **Field of Classification Search**
USPC **D3/202, 202.3, 901; D7/300.1,**
D7/509-511, 590-600, 601, 612; D9/432,
D9/516, 529, 530, 539, 541, 542, 548, 550,
D9/551, 556, 563, 569, 574, 564, 571, 655,
D9/658; D19/93, 190, 191;
D23/211.1-211.2; D24/121, 124, 197,
D24/224; D14/203.2; 206/497; 215/209,
215/252

CPC **A61J 1/03; A61J 1/05; A47G 19/22;**
A47G 19/2205; A47G 19/2266; B65D 1/02;
B65D 1/0223; B65D 1/08; B65D 1/10

See application file for complete search history.

(56) **References Cited**

U.S. PATENT DOCUMENTS

D416,199	S	*	11/1999	Alguire et al.	D9/542
D463,983	S	*	10/2002	Wendt et al.	D9/558
D471,111	S	*	3/2003	Kuzma et al.	D9/543
D482,624	S	*	11/2003	Hadkte et al.	D9/542
D495,604	S	*	9/2004	Lund et al.	D9/542
D528,006	S	*	9/2006	Walther et al.	D9/542
D533,185	S	*	12/2006	Ishida et al.	D14/203.2
D563,226	S	*	3/2008	Mongeon et al.	D9/521
D669,788	S	*	10/2012	MacLean et al.	D9/542
8,511,472	B2	*	8/2013	Dupuis et al.	206/497
D720,622	S	*	1/2015	Gelov	D9/529
D726,545	S	*	4/2015	Kuzma et al.	D9/539
D727,160	S	*	4/2015	Kuzma et al.	D9/539

* cited by examiner

Primary Examiner — Thomas Johannes

Assistant Examiner — Catherine Posthauer

(74) *Attorney, Agent, or Firm* — Baker Botts L.L.P.

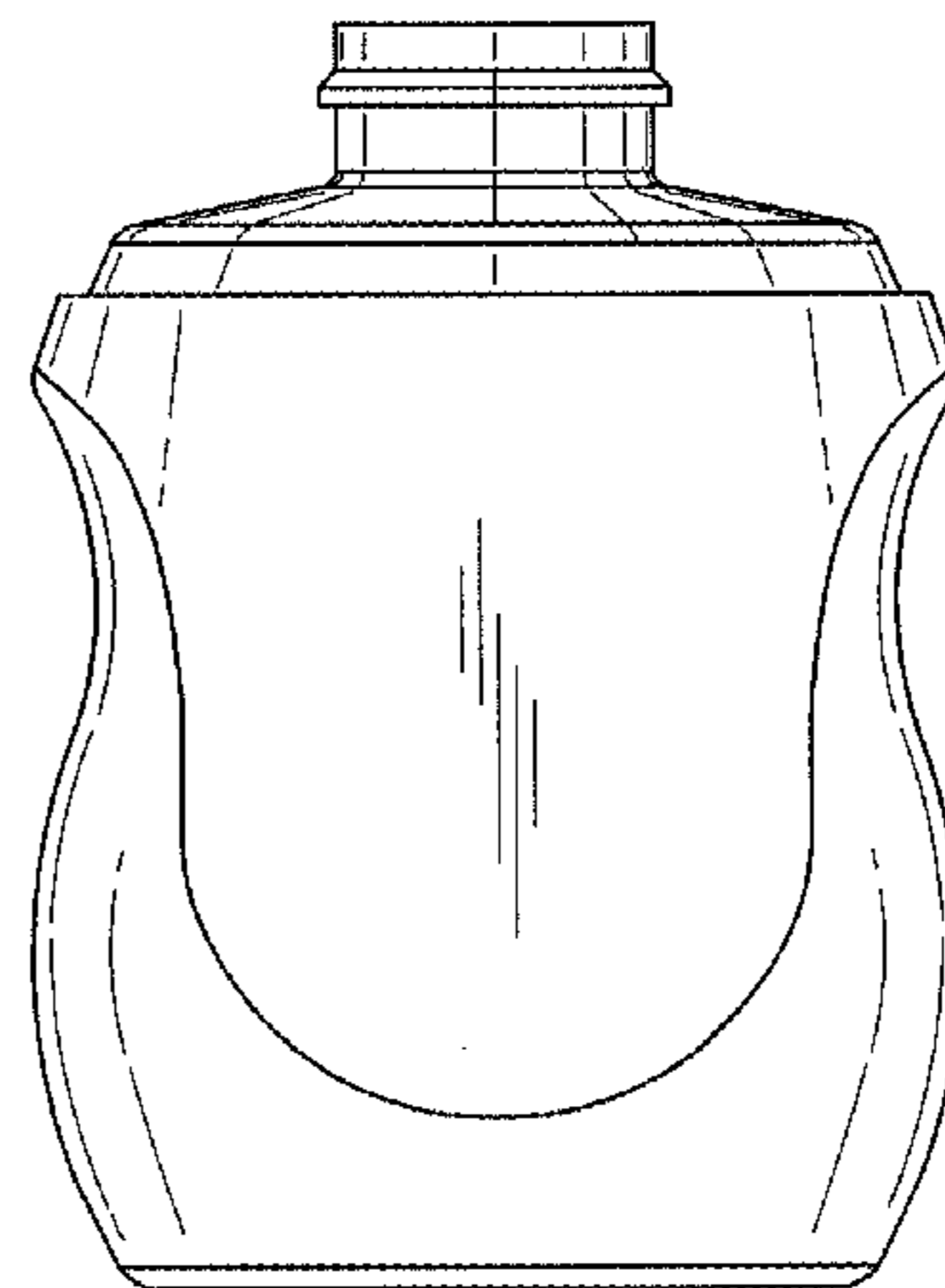
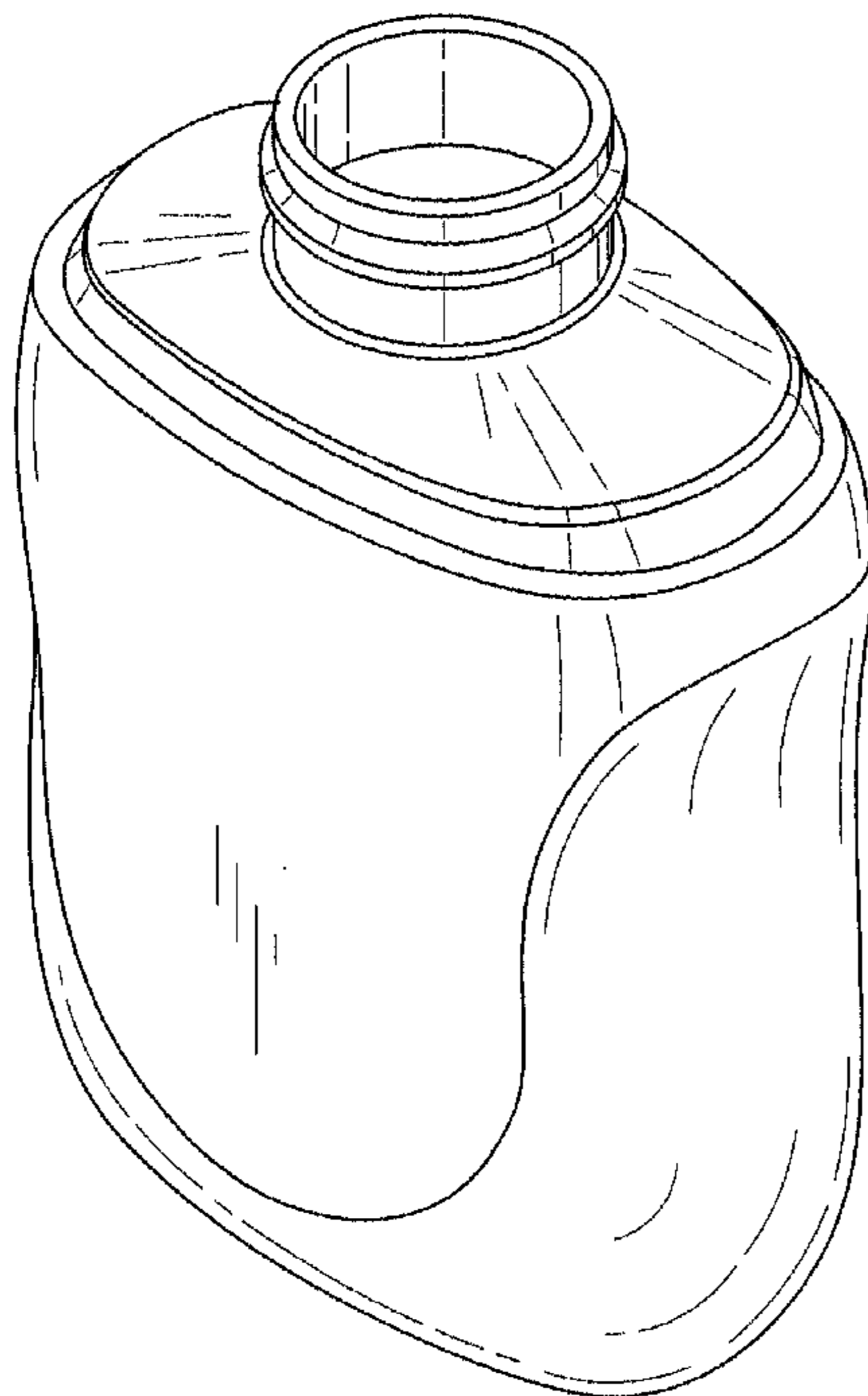
(57) **CLAIM**

The ornamental design for a bottle, as shown and described.

DESCRIPTION

FIG. 1 is a top perspective view of the bottle;
FIG. 2 is a front isometric view of the bottle;
FIG. 3 is a rear isometric view of the bottle;
FIG. 4 is a right side isometric view of the bottle;
FIG. 5 is a left side isometric view of the bottle;
FIG. 6 is a top isometric view of the bottle; and,
FIG. 7 is a bottom isometric view of the bottle.
The broken lines are shown for the purpose of illustrating portions of the bottle and form no part of the claimed design.

1 Claim, 3 Drawing Sheets



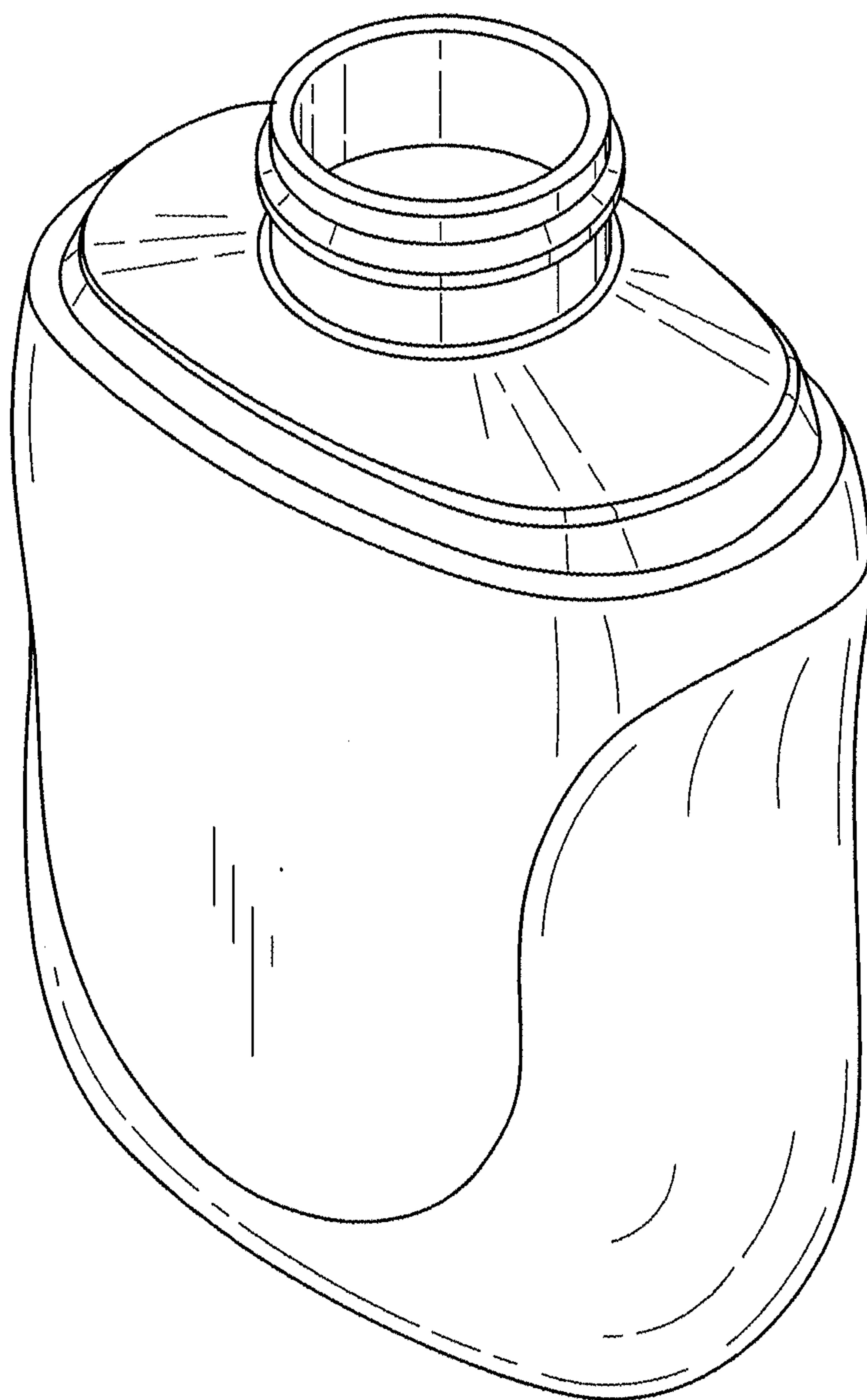


FIG. 1

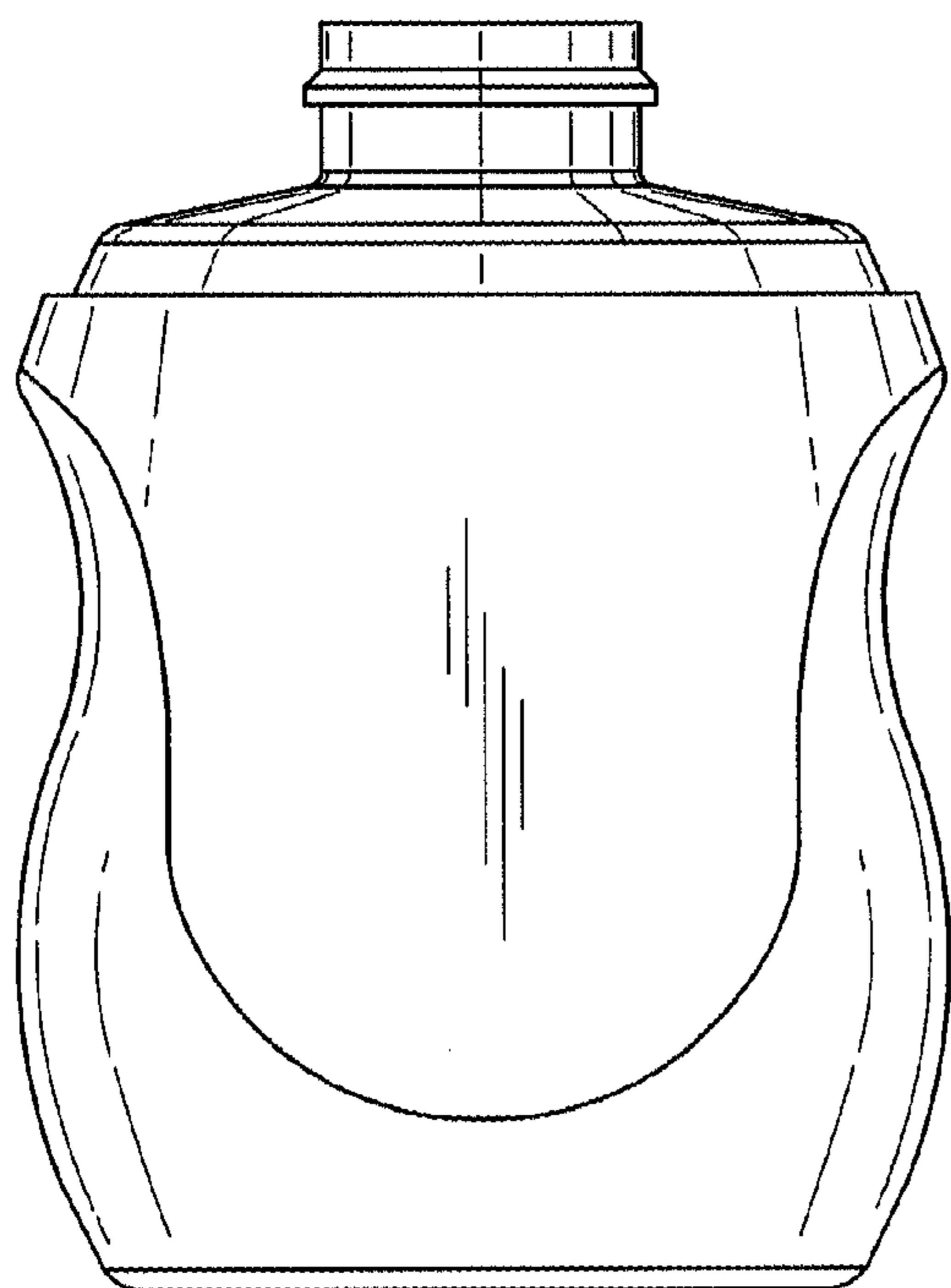


FIG. 2

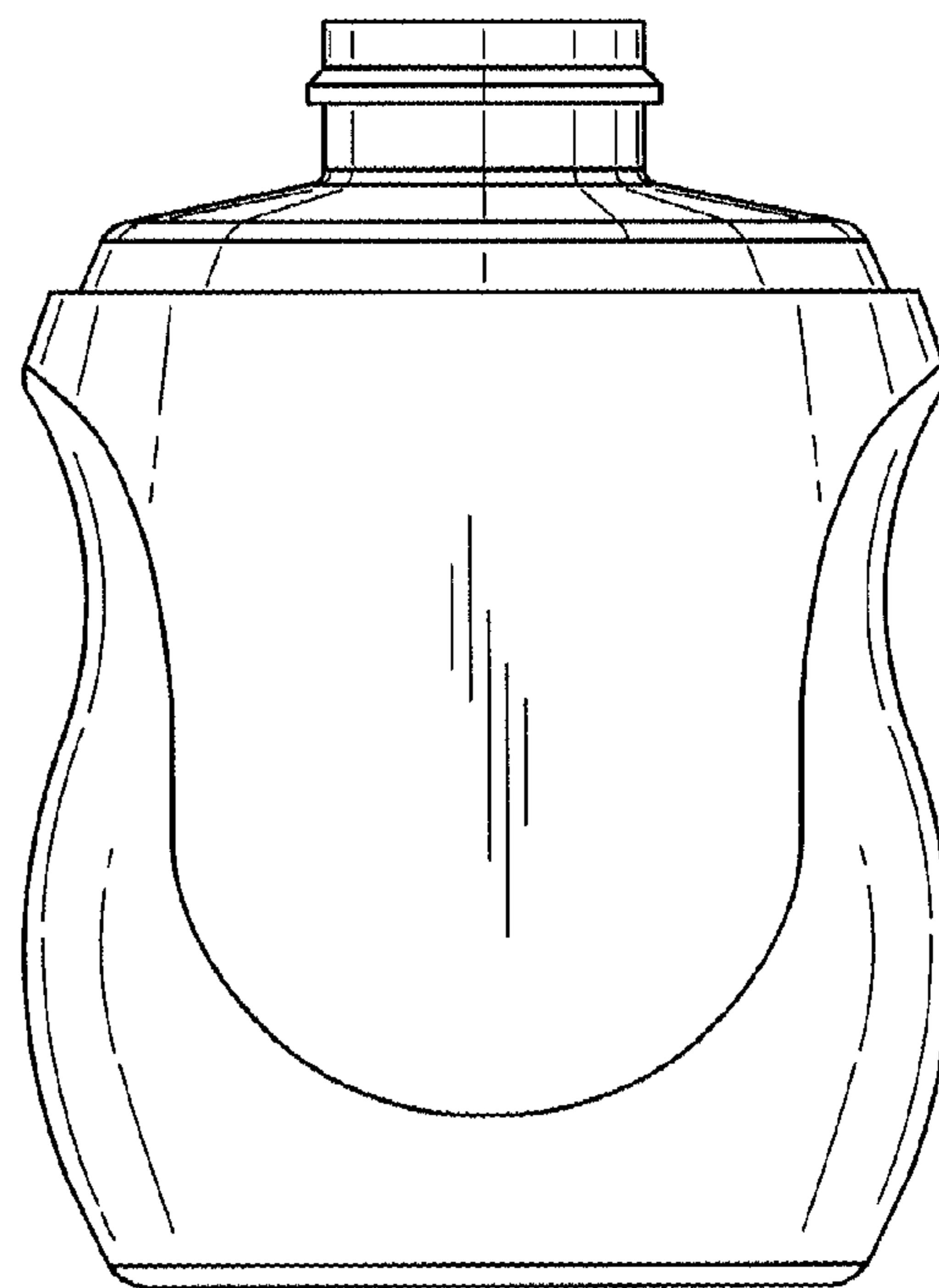


FIG. 3

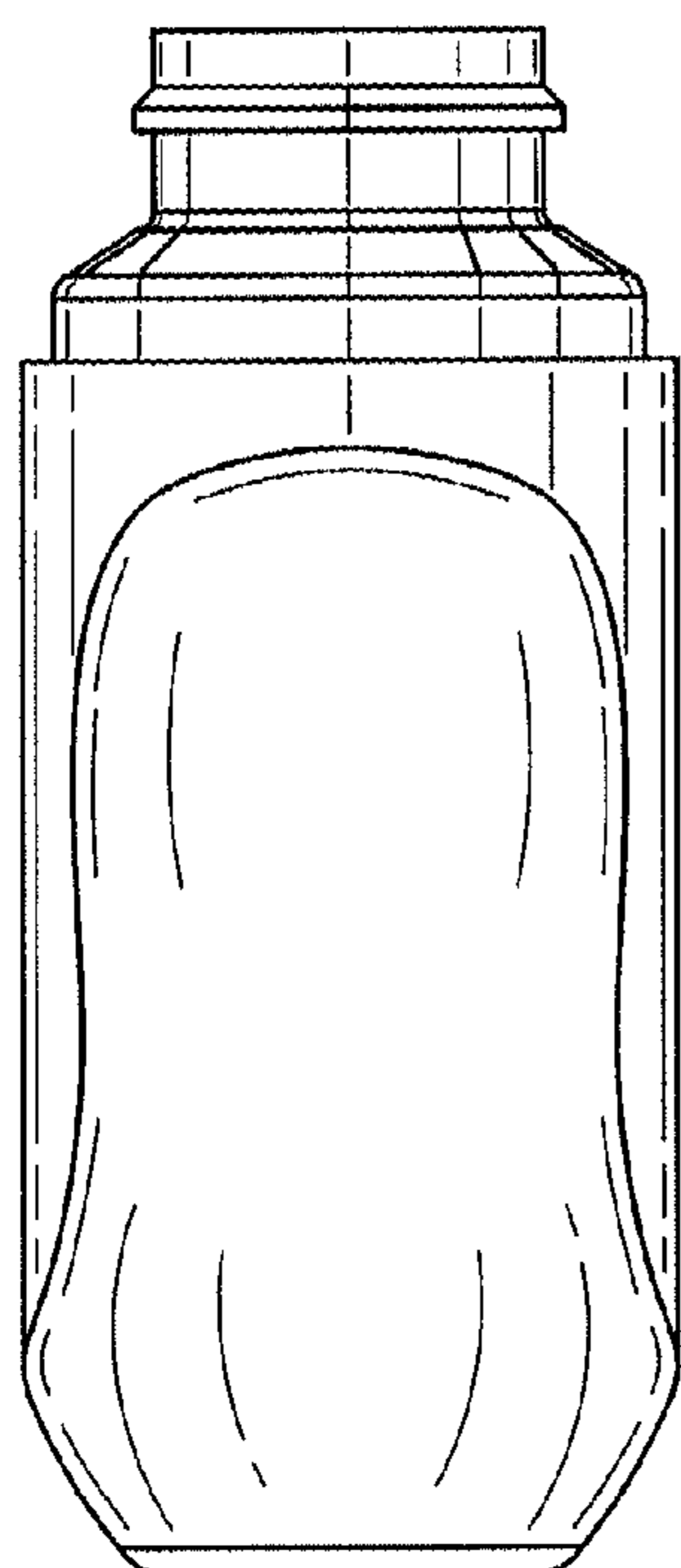


FIG. 4

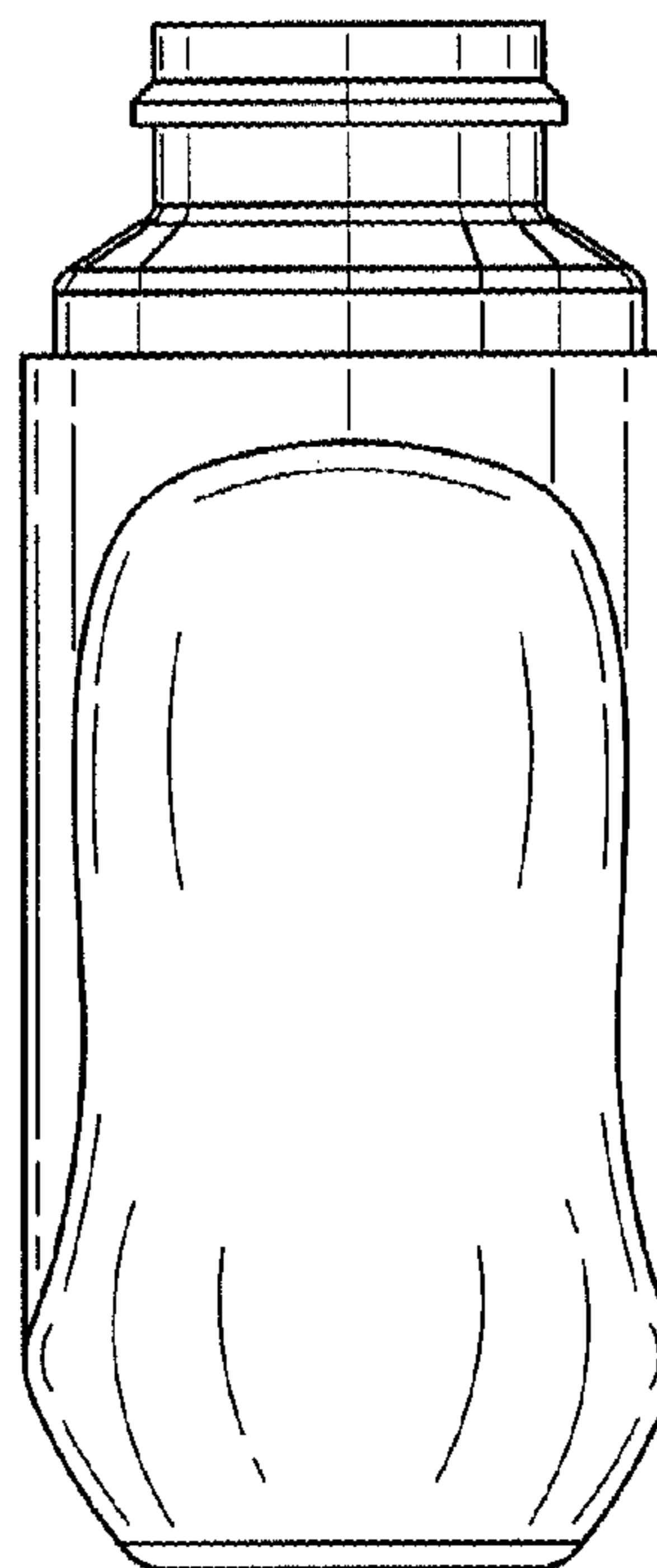


FIG. 5

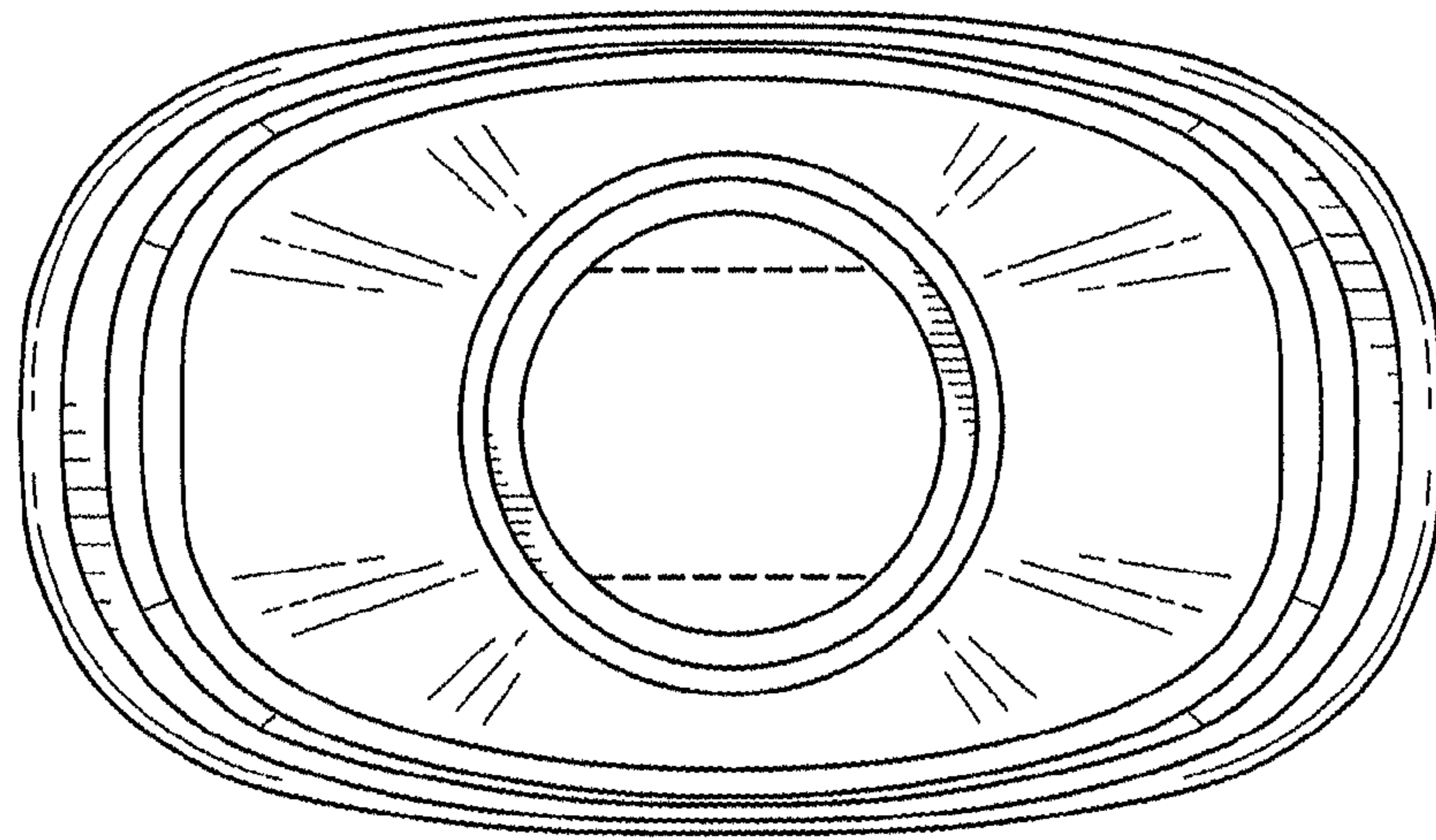


FIG. 6

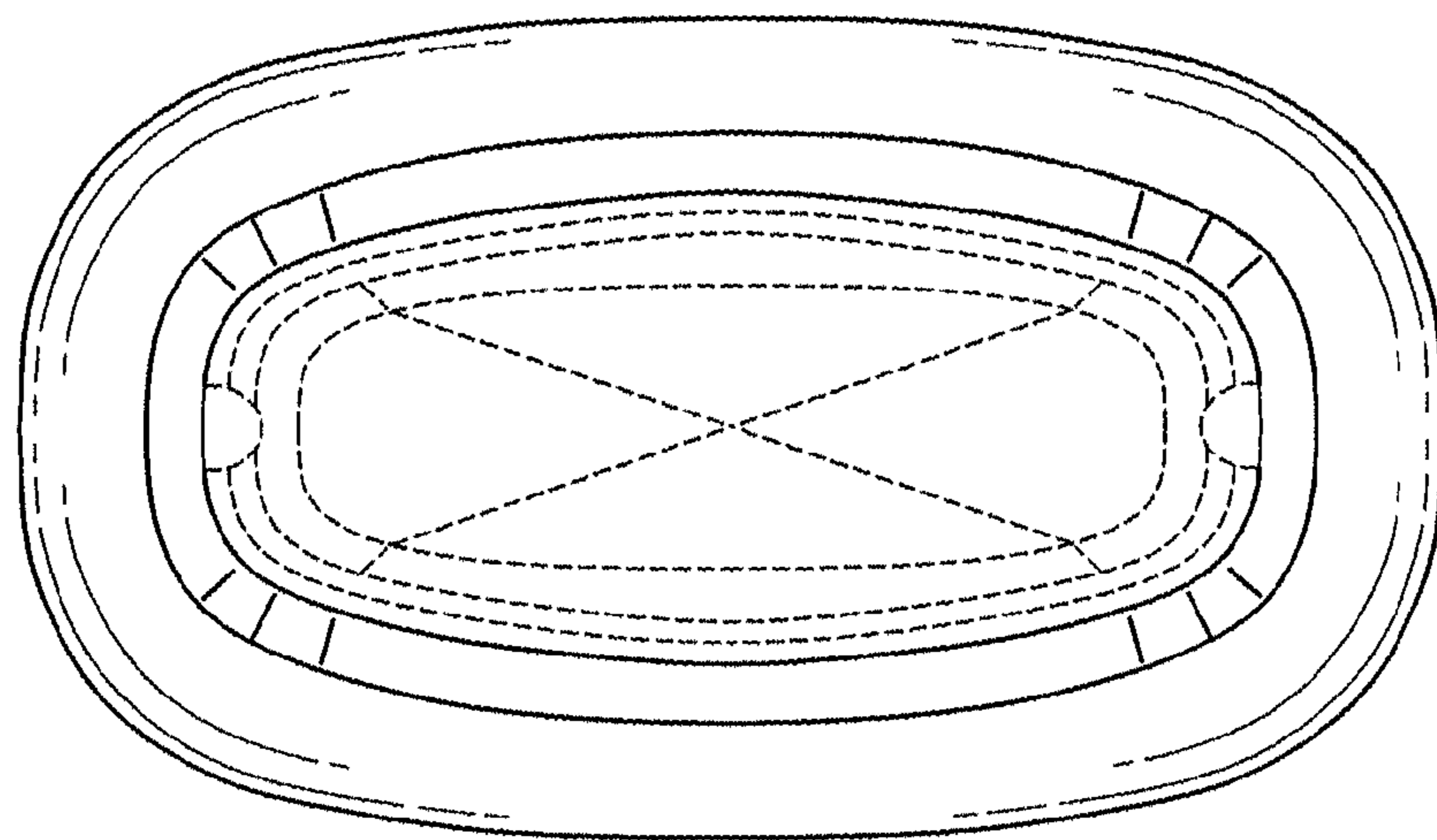


FIG. 7