

US00D757556S

(12) **United States Design Patent**
Lesueur

(10) **Patent No.:** **US D757,556 S**
(45) **Date of Patent:** **** May 31, 2016**

(54) **BOTTLE**

(71) Applicant: **SIDEL PARTICIPATIONS,**
Octeville-sur-Mer (FR)

(72) Inventor: **François Lesueur,** Octeville-sur-Mer
(FR)

(73) Assignee: **SIDEL PARTICIPATIONS (FR)**

(**) Term: **14 Years**

(21) Appl. No.: **29/485,958**

(22) Filed: **Mar. 25, 2014**

(30) **Foreign Application Priority Data**

Sep. 25, 2013 (EM) 001384788-0001

(51) **LOC (10) Cl.** **09-01**

(52) **U.S. Cl.**
USPC **D9/538; D9/520; D9/552; D9/555**

(58) **Field of Classification Search**
USPC D9/516-575
CPC B65D 1/00; B65D 1/02; B65D 1/0207;
B65D 1/0215; B65D 1/0223; B65D 1/023;
B65D 1/0246; B65D 1/0261; B65D 1/0276;
B65D 1/0284; B65D 1/0292; B65D 1/40;
B65D 1/42; B65D 1/44; B65D 11/24; B65D
21/086; B65D 23/00; B65D 23/102; B65D
90/027; B65D 2501/00; B65D 2501/0009;
B65D 2501/0018; B65D 2501/0027; B65D
2501/0036; B65D 2501/0045; B65D
2501/0081

See application file for complete search history.

(56) **References Cited**

U.S. PATENT DOCUMENTS

5,632,397 A * 5/1997 Fandoux et al. 215/382
5,713,480 A * 2/1998 Petre et al. 215/373

D425,424 S * 5/2000 Cheng et al. D9/520
D556,592 S * 12/2007 Gage et al. D9/552
D559,695 S * 1/2008 Lesueur D9/538
D576,051 S * 9/2008 Darr et al. D9/552
D587,582 S * 3/2009 Matsuoka et al. D9/516
D617,647 S * 6/2010 Bledsoe et al. D9/540
D622,597 S * 8/2010 Dabrowski D9/538
D623,067 S * 9/2010 Lovelace et al. D9/538
7,798,350 B2 * 9/2010 Hermel et al. 215/382
D635,461 S * 4/2011 Inoi et al. D9/538
D643,729 S * 8/2011 Lovelace et al. D9/538
8,556,098 B2 * 10/2013 Peykoff et al. 215/384
8,561,822 B2 * 10/2013 Beck et al. 215/382
8,567,625 B2 * 10/2013 Nemoto 215/384
8,875,921 B2 * 11/2014 Hermel et al. 215/376
8,939,316 B2 * 1/2015 Pasutanon et al. 220/669
2007/0257003 A1 * 11/2007 Colloud 215/382
2009/0166314 A1 * 7/2009 Matsuoka 215/384
2014/0054257 A1 * 2/2014 Peykoff et al. 215/383
2014/0183156 A1 * 7/2014 Hanan 215/382
2014/0183202 A1 * 7/2014 Hanan 220/669
2014/0227399 A1 * 8/2014 Wortmann et al. 426/106
2015/0008210 A1 * 1/2015 Oshino et al. 215/373
2015/0034660 A1 * 2/2015 Barel et al. 220/608

* cited by examiner

Primary Examiner — Catherine Tuttle

(74) *Attorney, Agent, or Firm* — Volpe and Koenig, P.C.

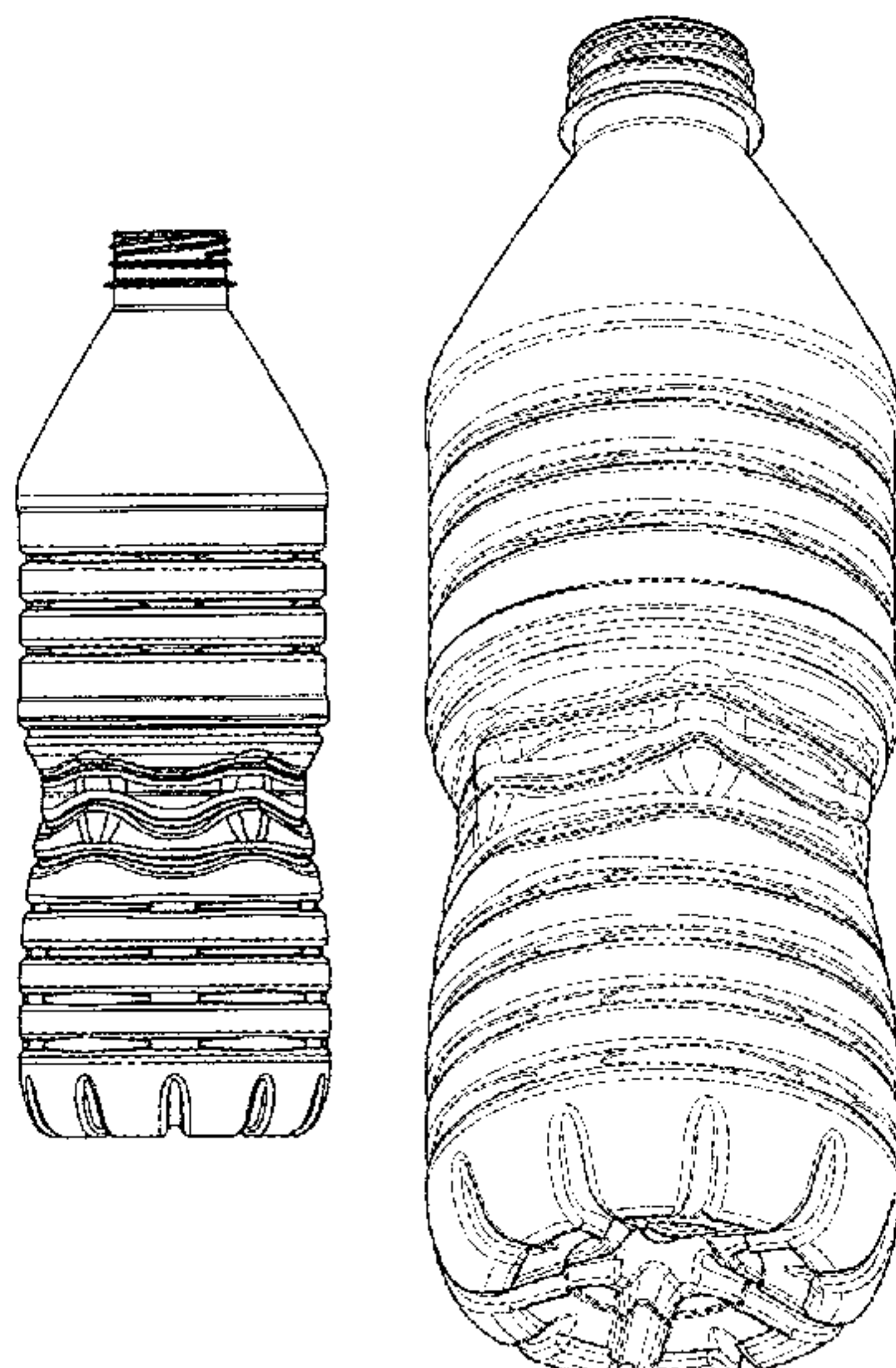
(57) **CLAIM**

The ornamental design for a bottle, as shown and described.

DESCRIPTION

FIG. 1 is a front view of the bottle.
FIG. 2 is a rear view of the bottle.
FIG. 3 is a left side view of the bottle, the opposite right side view being a mirror image thereof.
FIG. 4 is an upper perspective view of the bottle.
FIG. 5 is a lower perspective view of the bottle.
FIG. 6 is a top view of the bottle; and,
FIG. 7 is a bottom view of the bottle.

1 Claim, 6 Drawing Sheets



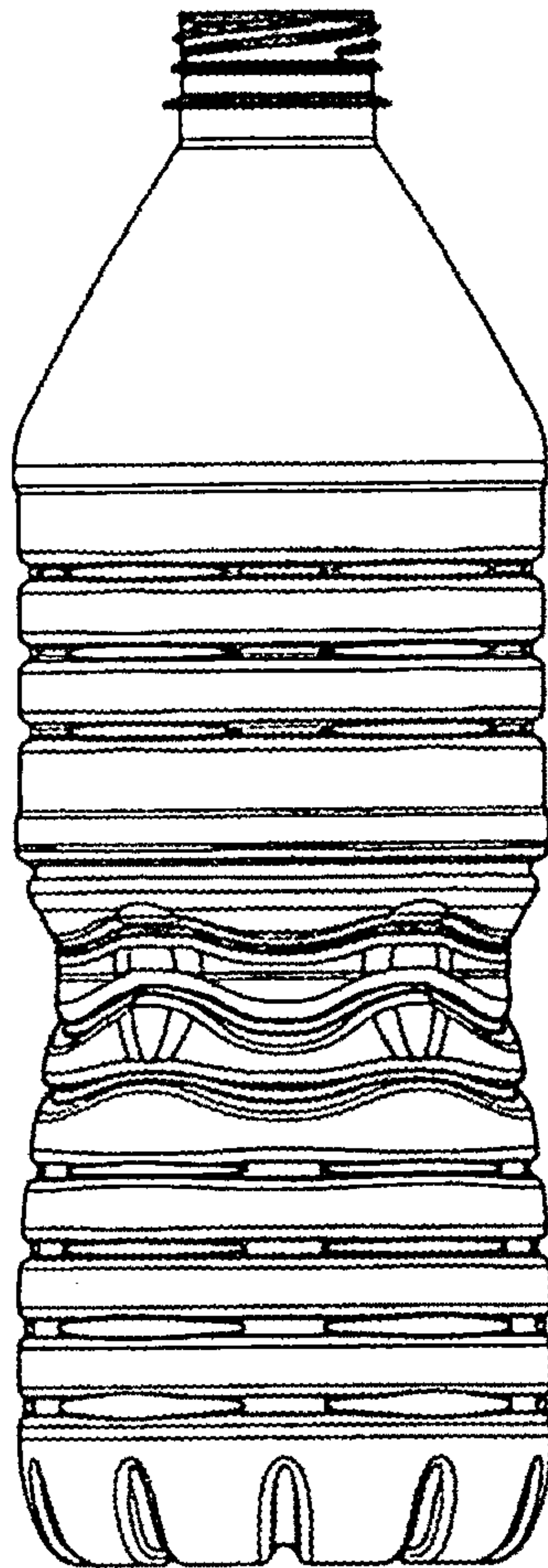


Fig 1

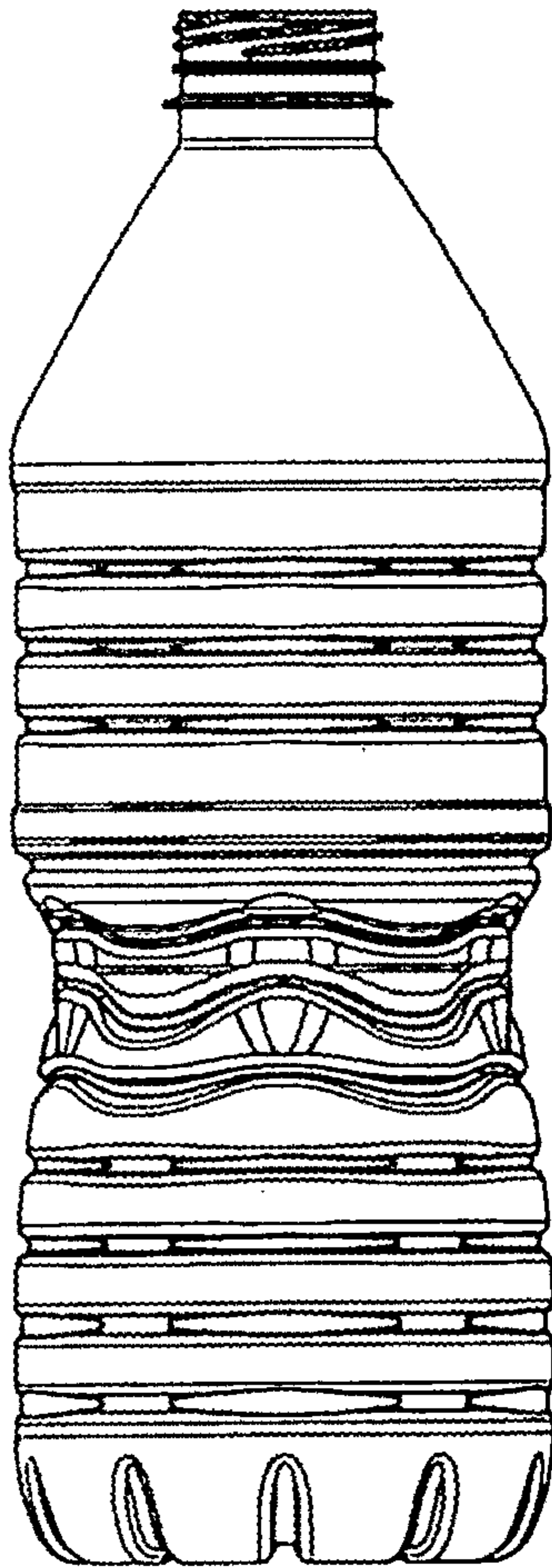


Fig 2

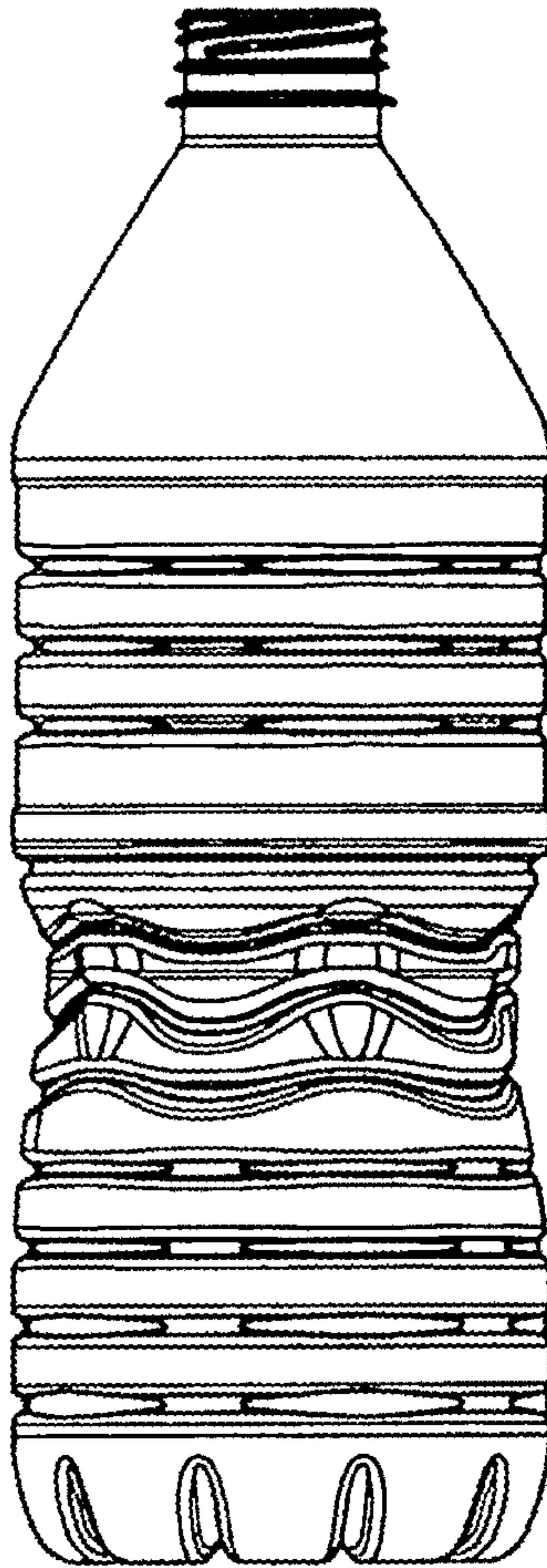


Fig 3

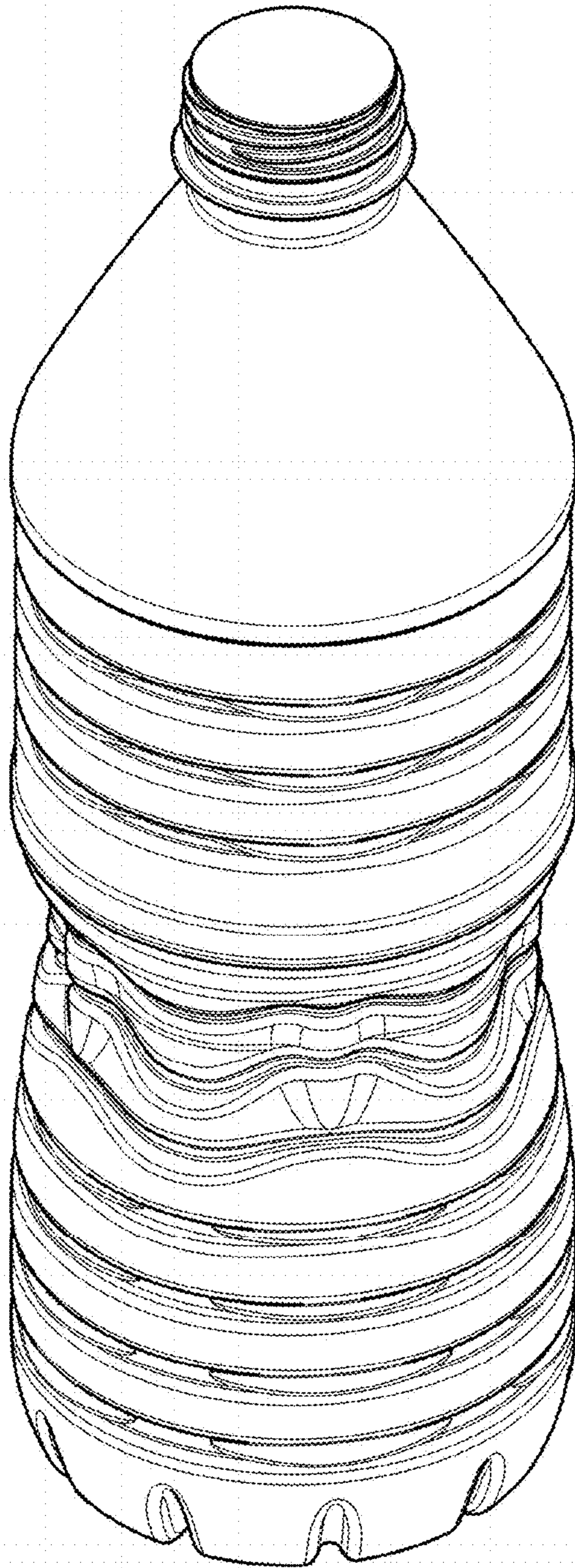


Fig 4

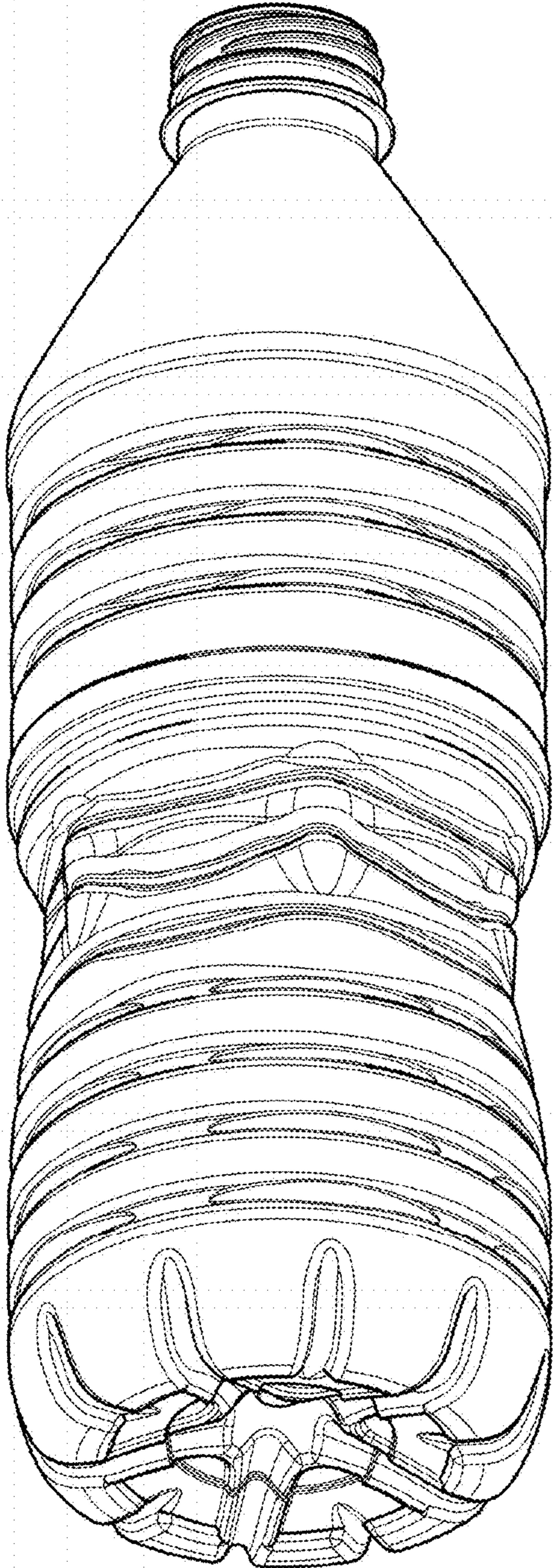


Fig 5

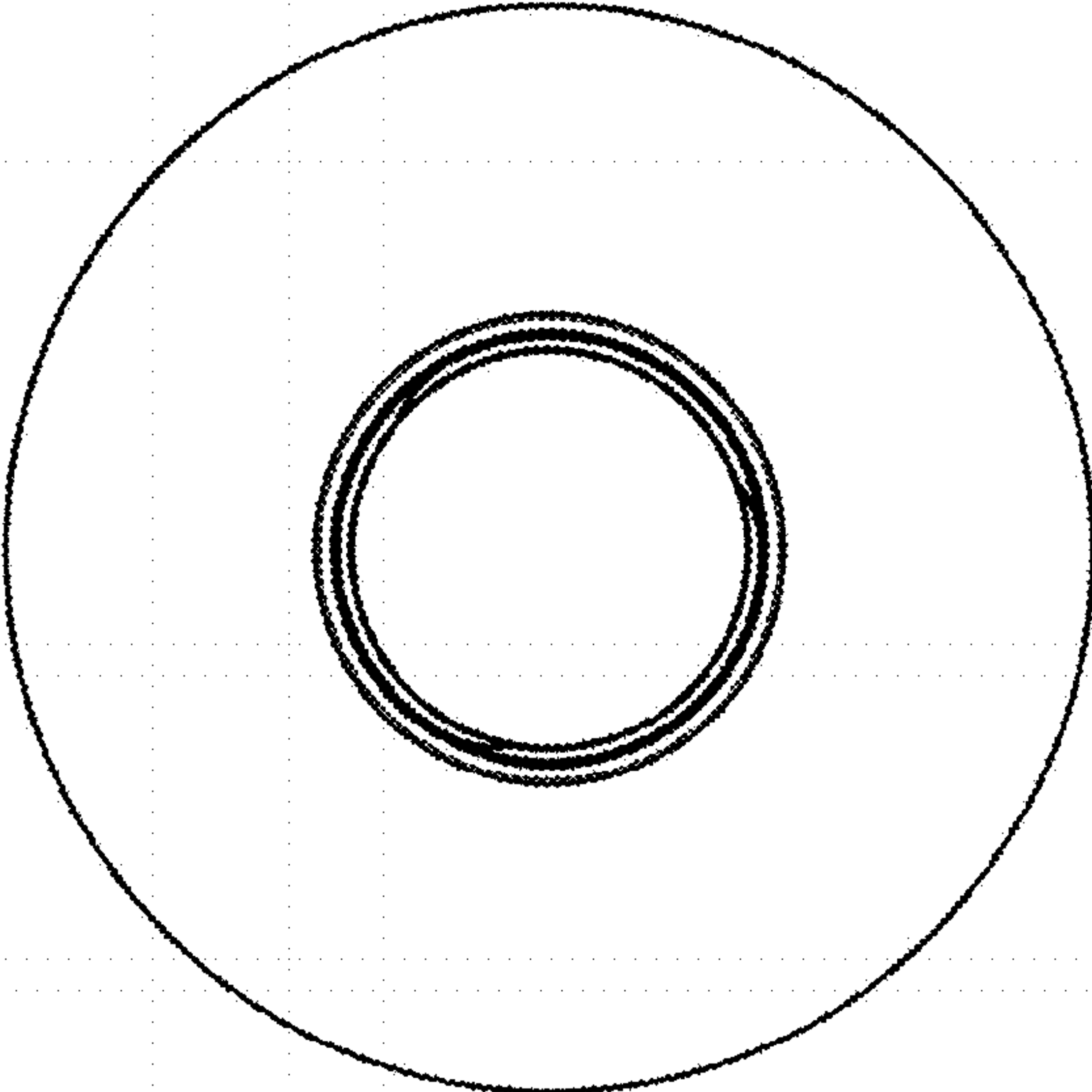


Fig 6

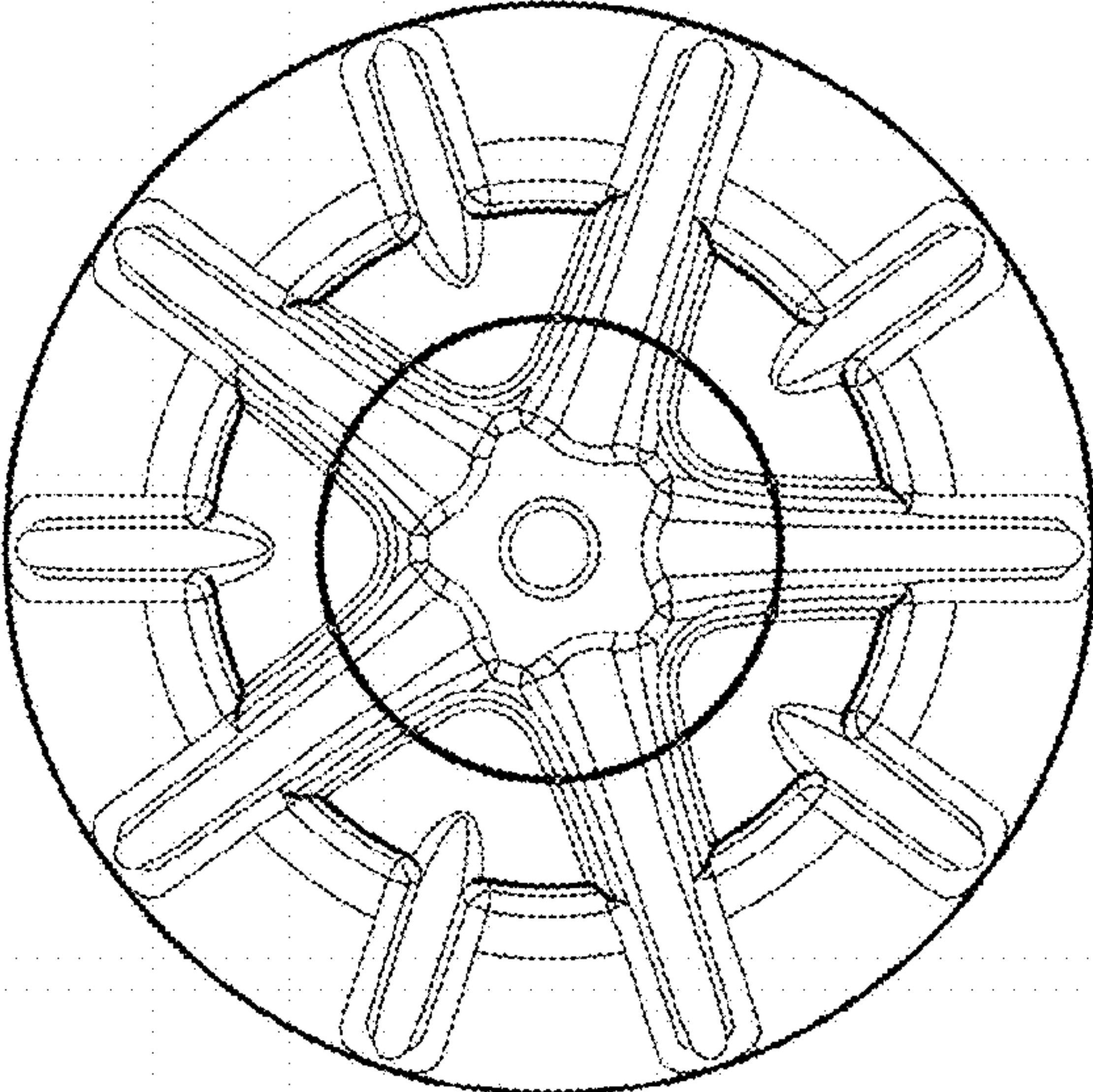


Fig 7