



US00D757548S

(12) **United States Design Patent**  
**Borg et al.**

(10) **Patent No.:** **US D757,548 S**

(45) **Date of Patent:** **\*\* May 31, 2016**

(54) **BASE-MOUNTED MULTI-PACK CONTAINER HOLDER**

(71) Applicant: **Oregon Precision Industries, Inc.**, Eugene, OR (US)

(72) Inventors: **Zakary James Borg**, Eugene, OR (US); **Ronald Lee Mellor, Jr.**, Eugene, OR (US)

(73) Assignee: **Oregon Precision Industries, Inc.**, Eugene, OR (US)

(\*\*) Term: **14 Years**

(21) Appl. No.: **29/510,413**

(22) Filed: **Nov. 26, 2014**

(51) **LOC (10) Cl.** ..... **09-03**

(52) **U.S. Cl.**  
USPC ..... **D9/456**; D9/434; D9/752

(58) **Field of Classification Search**  
USPC ..... D3/272, 273, 302, 304, 309, 310, 313, D3/315, 319, 901; D7/552.1, 553.1, 553.2, D7/554.1, 602; D9/414, 418, 420-424, D9/427, 430-435, 455, 456, 517, 737, 738, D9/739, 740, 741, 744, 745; D19/1, 27; D6/512, 515-525; D34/1, 7, 10, 11; 229/100, 101, 101.3, 106, 108-112; 294/87.2, 87.28, 159; 232/43.2  
CPC ..... B65D 1/243; B65D 2501/24019; B65D 2501/24165; B65D 2501/24152; B65D 11/18; B65D 85/32; B65D 85/30; B65B 1/04  
See application file for complete search history.

(56) **References Cited**

**U.S. PATENT DOCUMENTS**

3,333,727 A \* 8/1967 Belcher ..... B65D 1/243 206/509  
D279,356 S \* 6/1985 Moss ..... D9/434  
D329,807 S \* 9/1992 Heider ..... D9/752  
6,401,960 B1 \* 6/2002 Hammett ..... B65D 1/243 206/203

D632,960 S \* 2/2011 Gilfert ..... D9/456  
D700,526 S \* 3/2014 Borg ..... D9/752  
D704,572 S \* 5/2014 Borg ..... D9/752  
D705,666 S \* 5/2014 Borg ..... D9/752  
D719,025 S \* 12/2014 Ramirez ..... D9/456  
D721,598 S \* 1/2015 Borg ..... D9/752  
D722,891 S \* 2/2015 Borg ..... D9/752  
2007/0039836 A1 \* 2/2007 Borg ..... B65D 71/50 206/150  
2007/0296231 A1 \* 12/2007 Borg ..... B65D 71/50 294/87.2  
2009/0314675 A1 \* 12/2009 Stahl ..... B65D 1/243 206/427  
2012/0073997 A1 \* 3/2012 Borg ..... B65D 21/0206 206/150

**FOREIGN PATENT DOCUMENTS**

CN 303401995 \* 10/2015

\* cited by examiner

*Primary Examiner* — Sheryl Lane

*Assistant Examiner* — Catherine Posthauer

(74) *Attorney, Agent, or Firm* — Alleman Hall McCoy Russell & Tuttle LLP

(57) **CLAIM**

The ornamental design for a base-mounted multi-pack container holder, as shown and described.

**DESCRIPTION**

FIG. 1 is a top left perspective view of a base-mounted multi-pack container holder showing my new design.

FIG. 2 is a bottom left perspective view thereof.

FIG. 3 is a front view thereof.

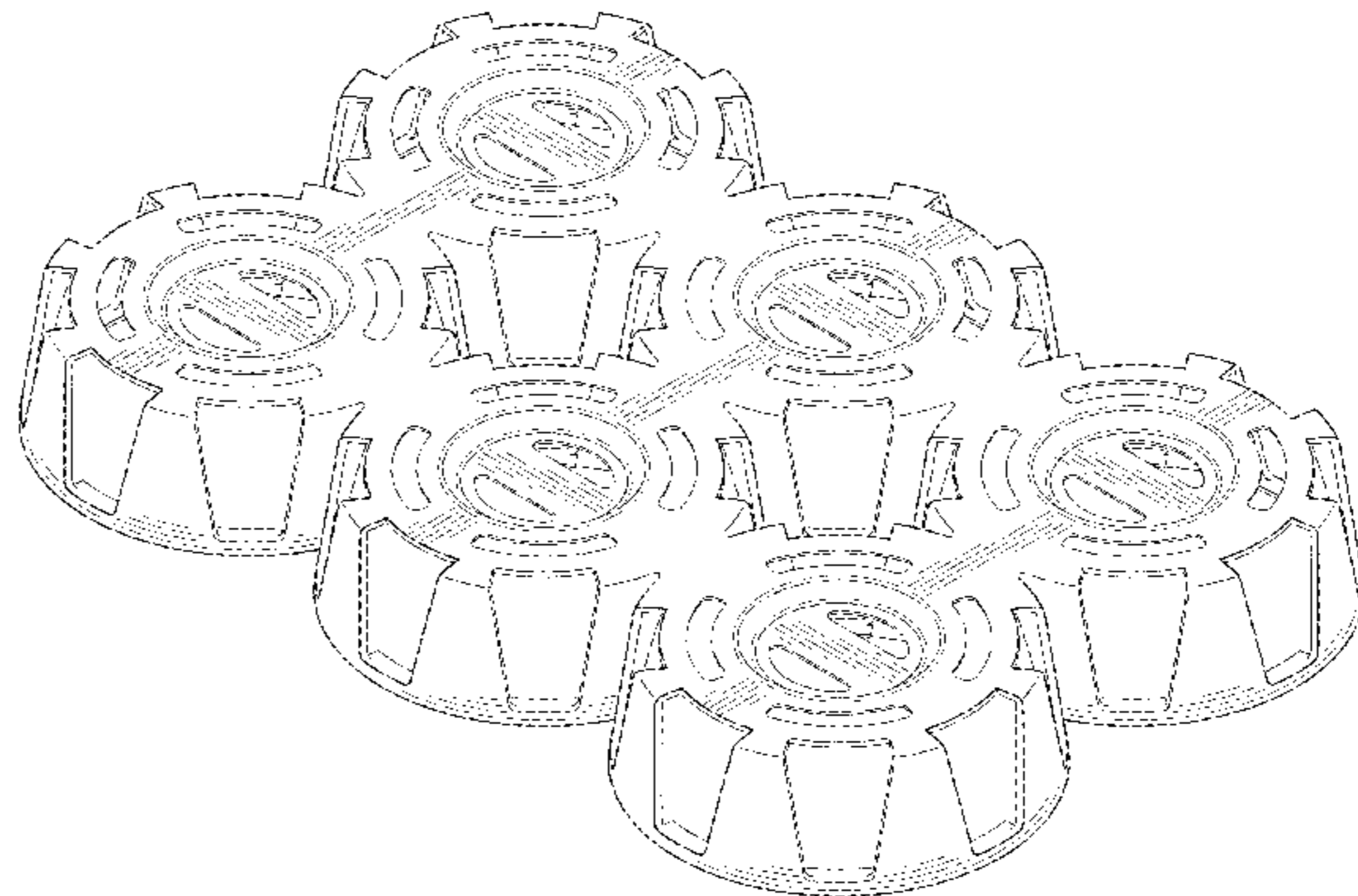
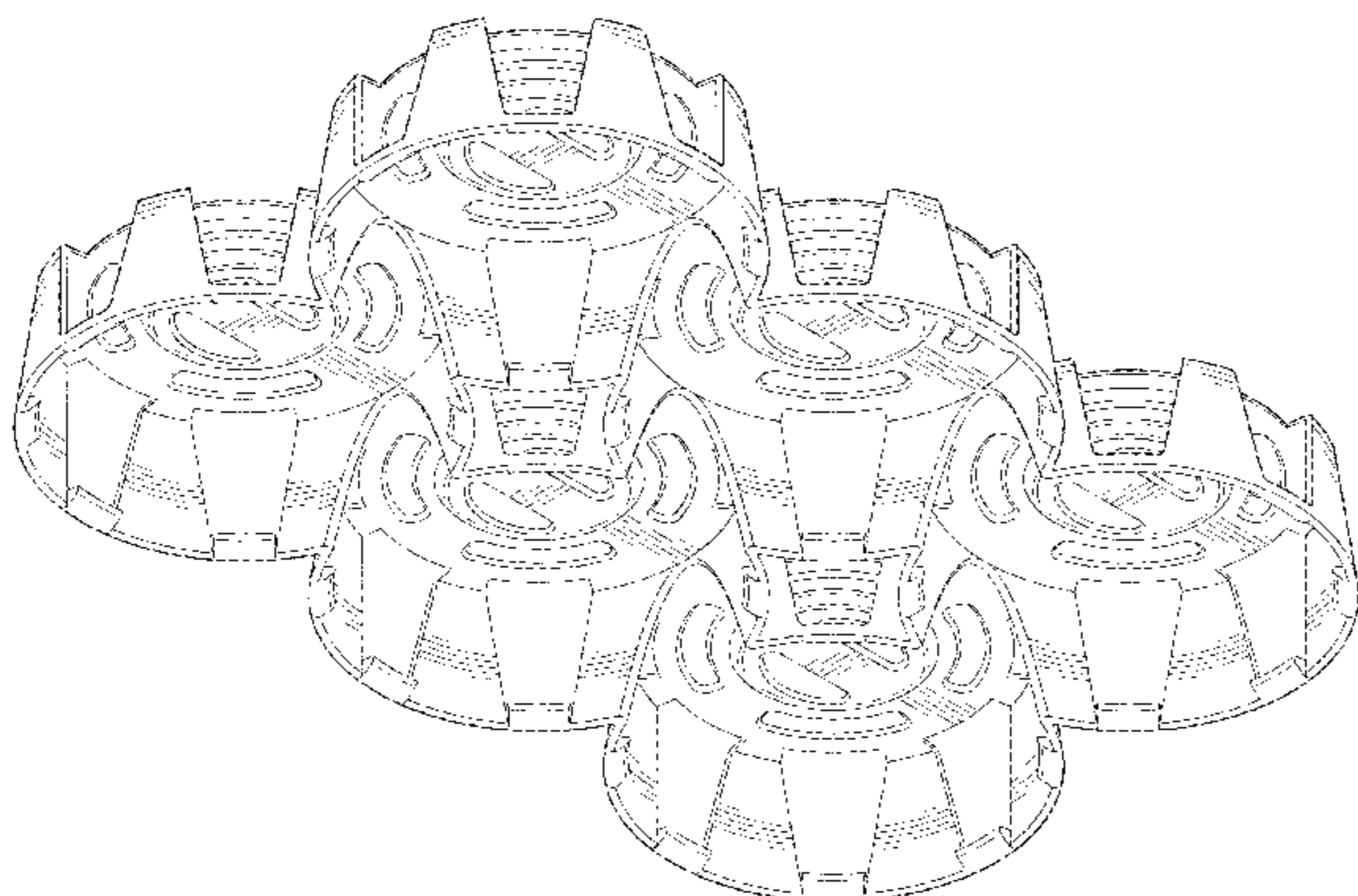
FIG. 4 is a right side view thereof, the left side view being a mirror image of the right.

FIG. 5 is a bottom view thereof; and,

FIG. 6 is a top view thereof.

The dashed lines in FIG. 4 illustrate a bottle inserted at its base into the base-mounted multi-pack container holder of FIG. 1, and form no part of the claimed design.

**1 Claim, 5 Drawing Sheets**



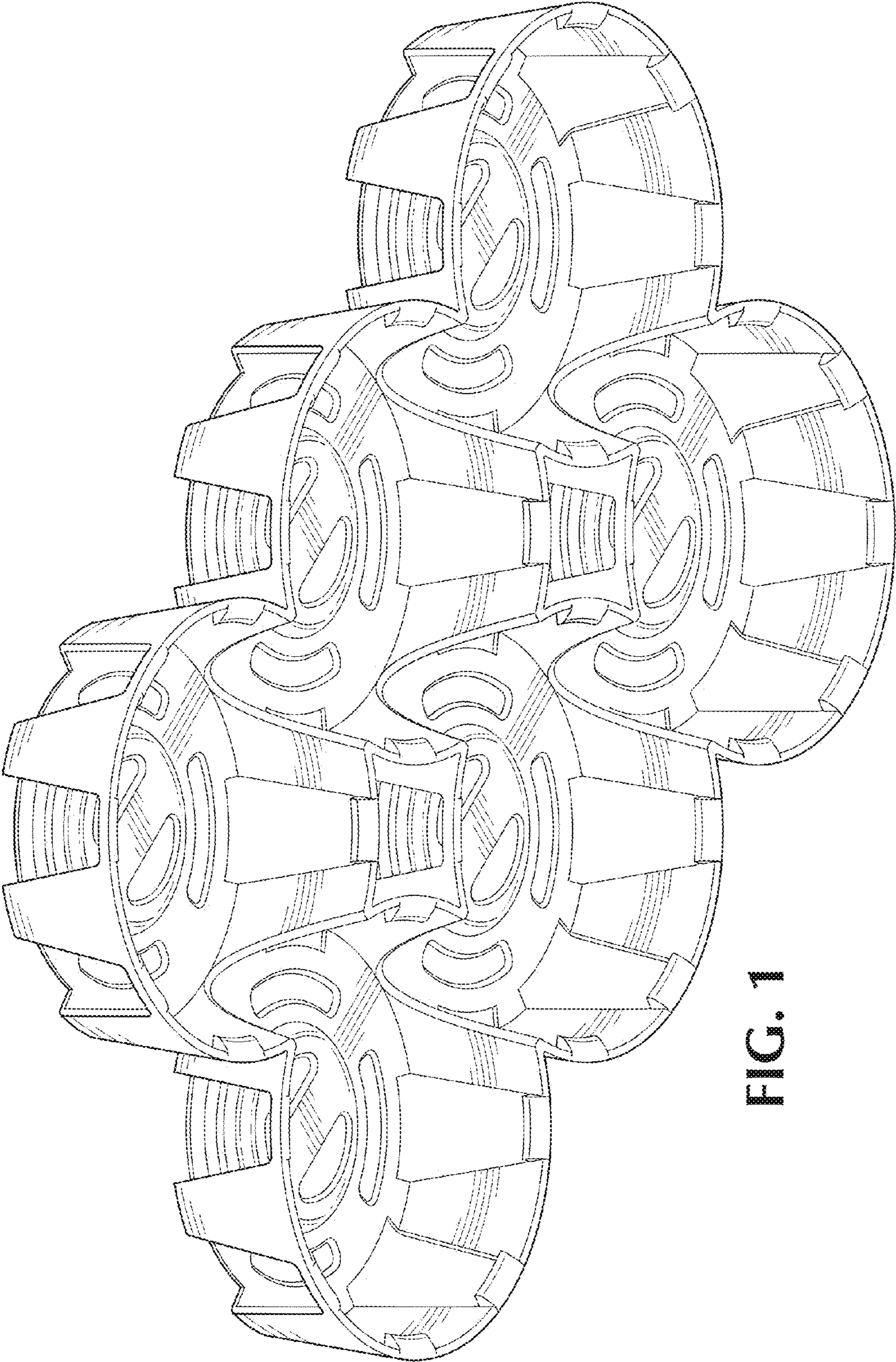


FIG. 1



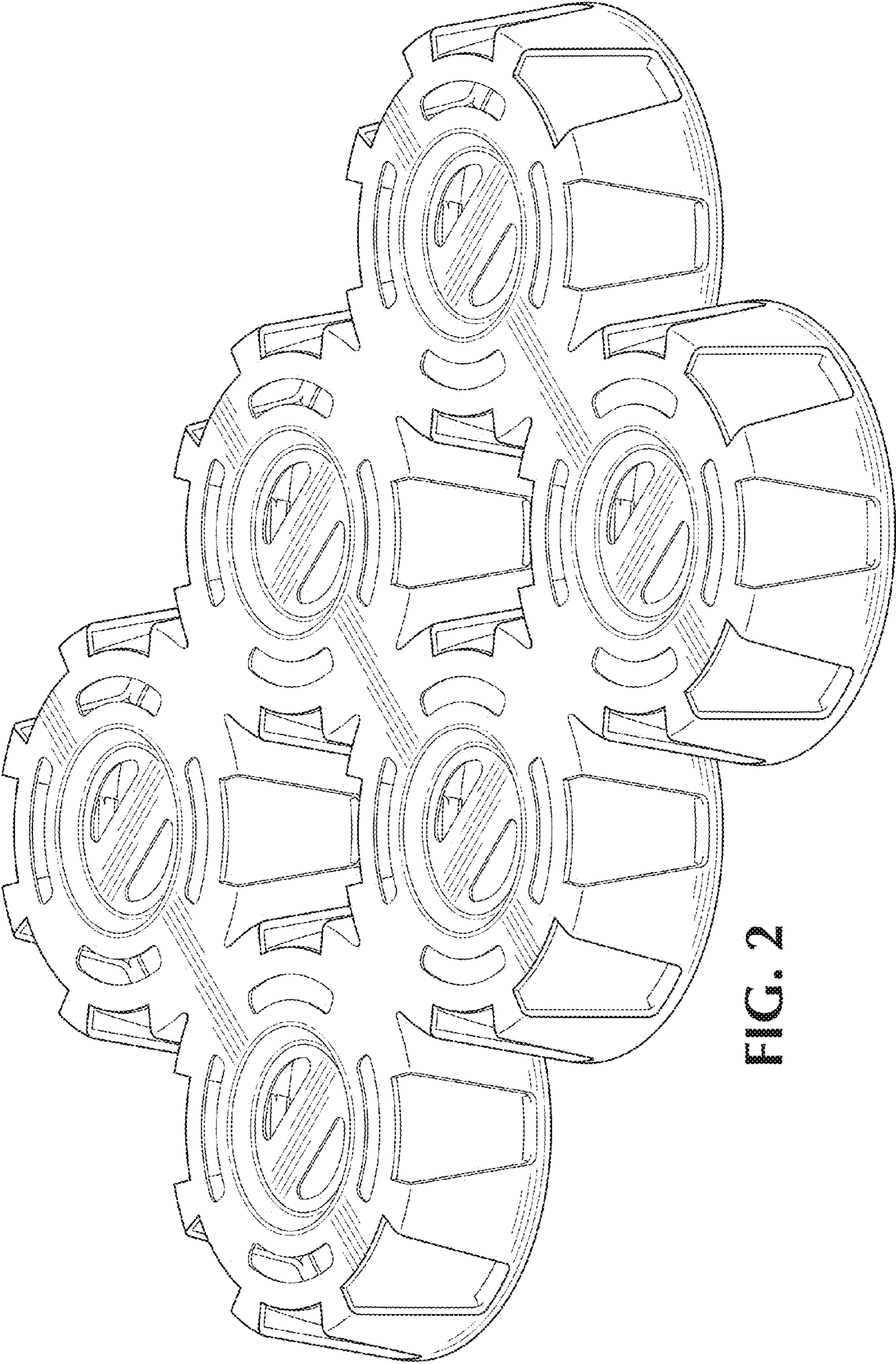


FIG. 2

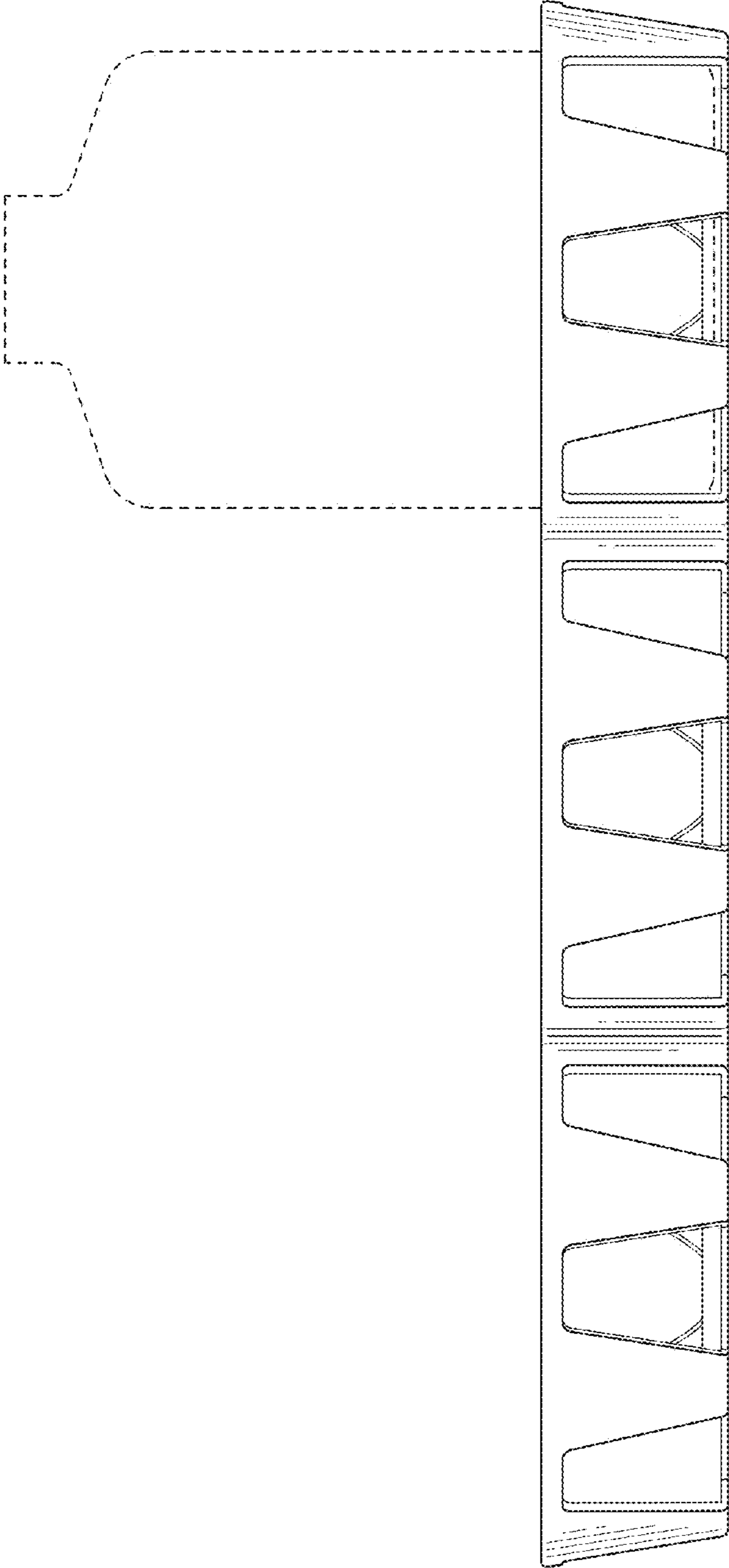


FIG. 3

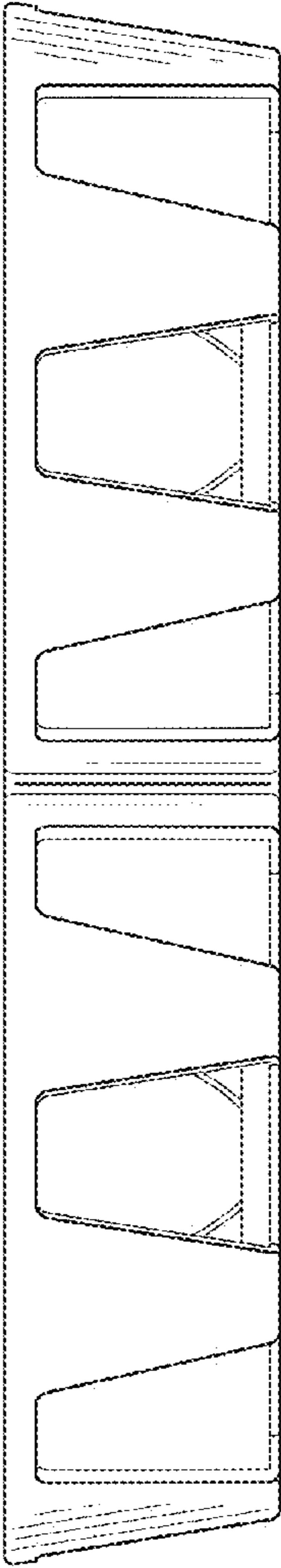


FIG. 4



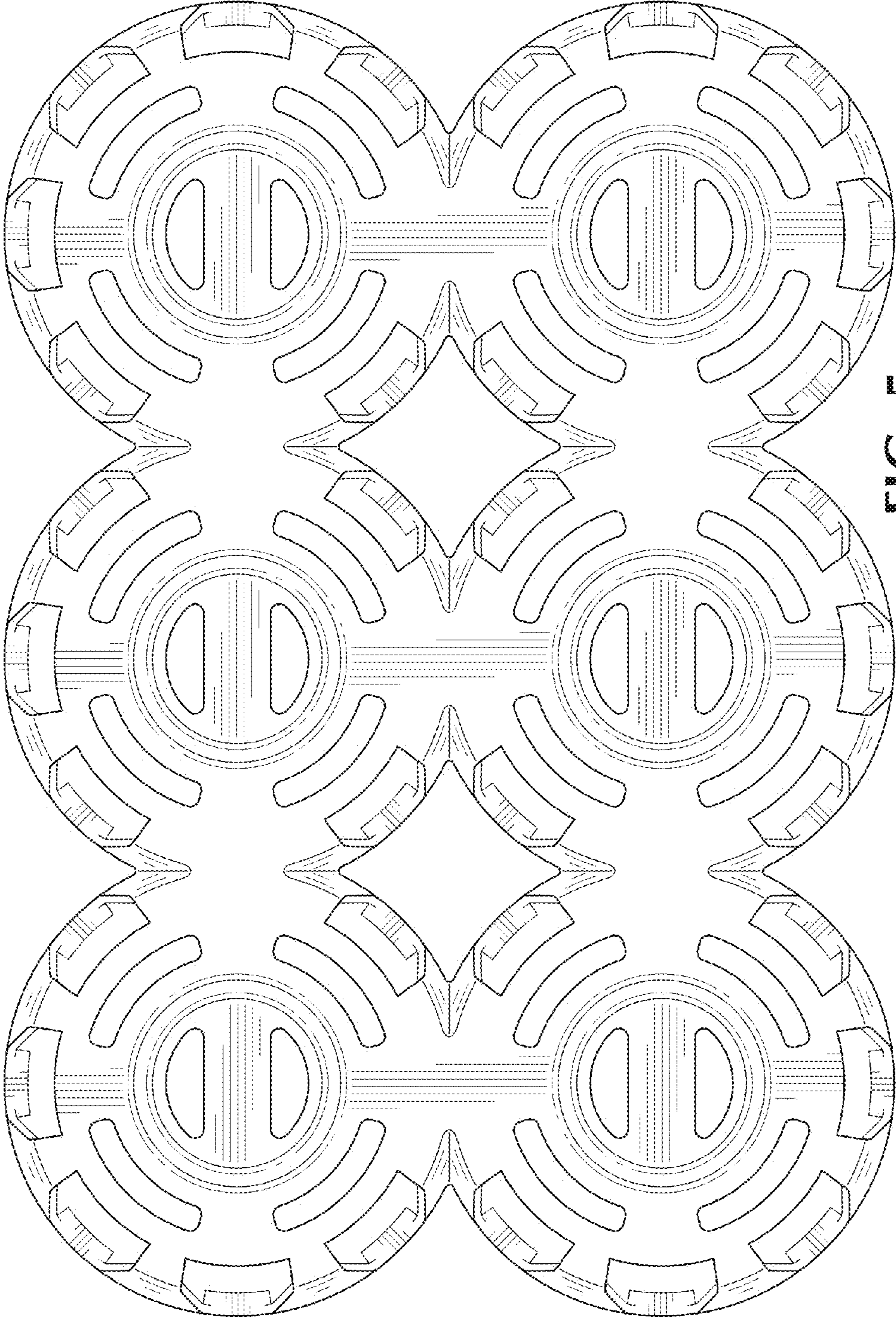


FIG. 5



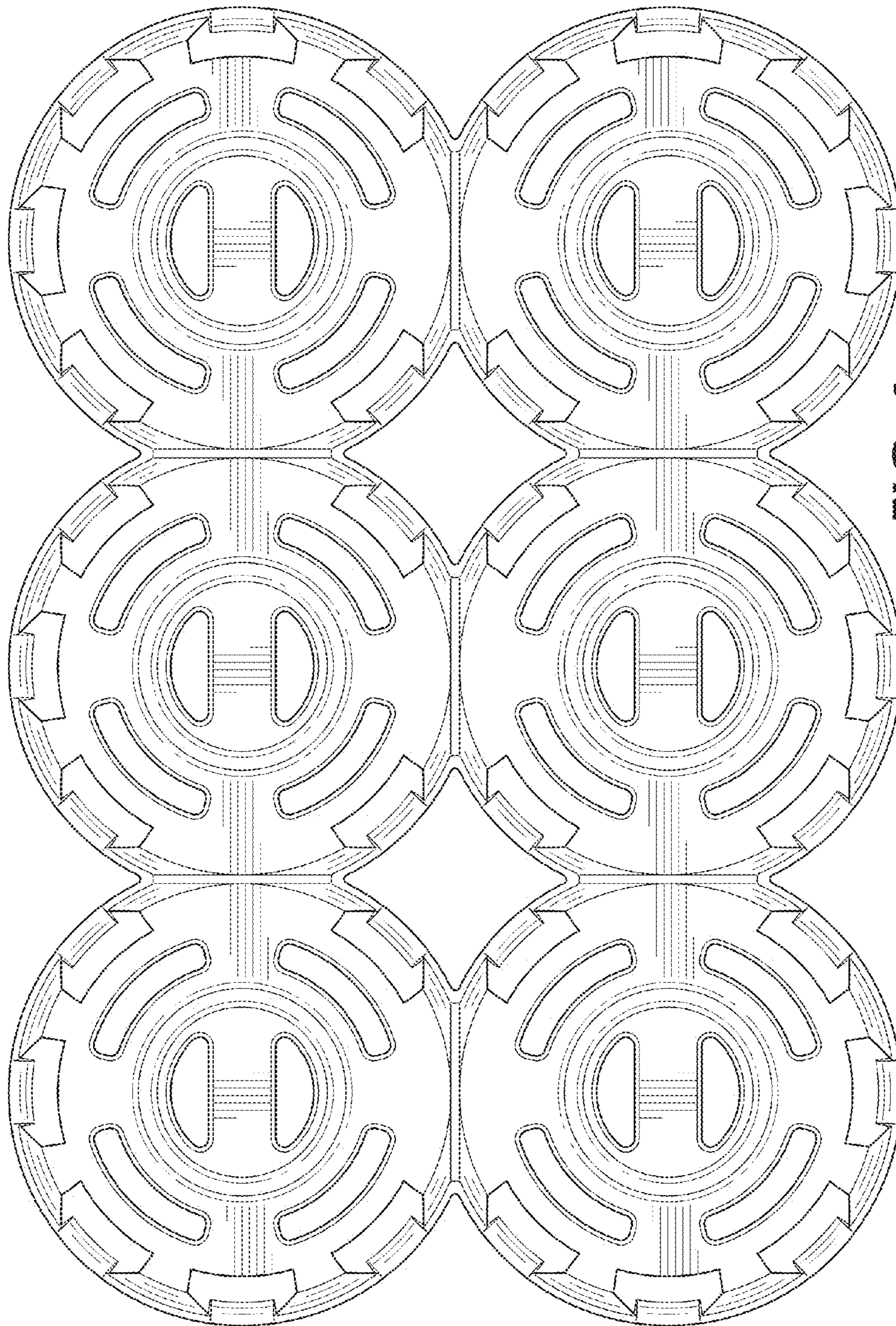


FIG. 6