

US00D757546S

(12) **United States Design Patent**  
**Seifer**

(10) **Patent No.:** **US D757,546 S**  
(45) **Date of Patent:** **\*\* May 31, 2016**

- (54) **CAP**
- (71) Applicant: **Sulzer Mixpac AG**, Haag (CH)
- (72) Inventor: **Ralf Seifer**, Sargans (CH)
- (73) Assignee: **SULZER MIXPAC AG**, Haag (CH)
- (\*\*) Term: **14 Years**
- (21) Appl. No.: **29/511,642**
- (22) Filed: **Dec. 12, 2014**

**Related U.S. Application Data**

- (62) Division of application No. 29/461,701, filed on Jul. 26, 2013, now Pat. No. Des. 739,239.

(30) **Foreign Application Priority Data**

- Feb. 13, 2013 (CH) ..... 139 632
- (51) **LOC (10) Cl.** ..... **09-07**
- (52) **U.S. Cl.**  
USPC ..... **D9/453**
- (58) **Field of Classification Search**  
USPC ..... D3/318; D7/396.2; D9/434–436,  
D9/443–445, 449, 452–454, 499;  
D23/259–261; 215/206; 222/83, 83.05  
CPC ..... B65D 50/061; B65D 5/748  
See application file for complete search history.

(56) **References Cited**

**U.S. PATENT DOCUMENTS**

- D124,384 S \* 12/1940 Ehrlich ..... D9/453
- D144,912 S \* 6/1946 Derham ..... D9/453
- D260,371 S \* 8/1981 Imm ..... D9/452
- D445,678 S \* 7/2001 Malmberg ..... D9/434
- D445,679 S \* 7/2001 Malmberg ..... D9/434
- D445,681 S \* 7/2001 Kimble ..... D9/434
- D529,804 S \* 10/2006 Lohrman ..... D9/453
- D542,133 S \* 5/2007 Haber ..... D9/453
- D612,914 S \* 3/2010 Morad ..... D23/261

- 7,997,436 B2 \* 8/2011 Bolli ..... B65D 5/748  
215/297
- D675,526 S \* 2/2013 Obrist ..... D9/453
- D681,459 S \* 5/2013 Ramsey ..... D9/452
- D738,725 S \* 9/2015 Isaris ..... D9/452
- D739,239 S \* 9/2015 Seifer ..... D9/453

\* cited by examiner

*Primary Examiner* — Robert M Spear  
*Assistant Examiner* — Darcey E Heflin

(74) *Attorney, Agent, or Firm* — Global IP Counselors, LLP

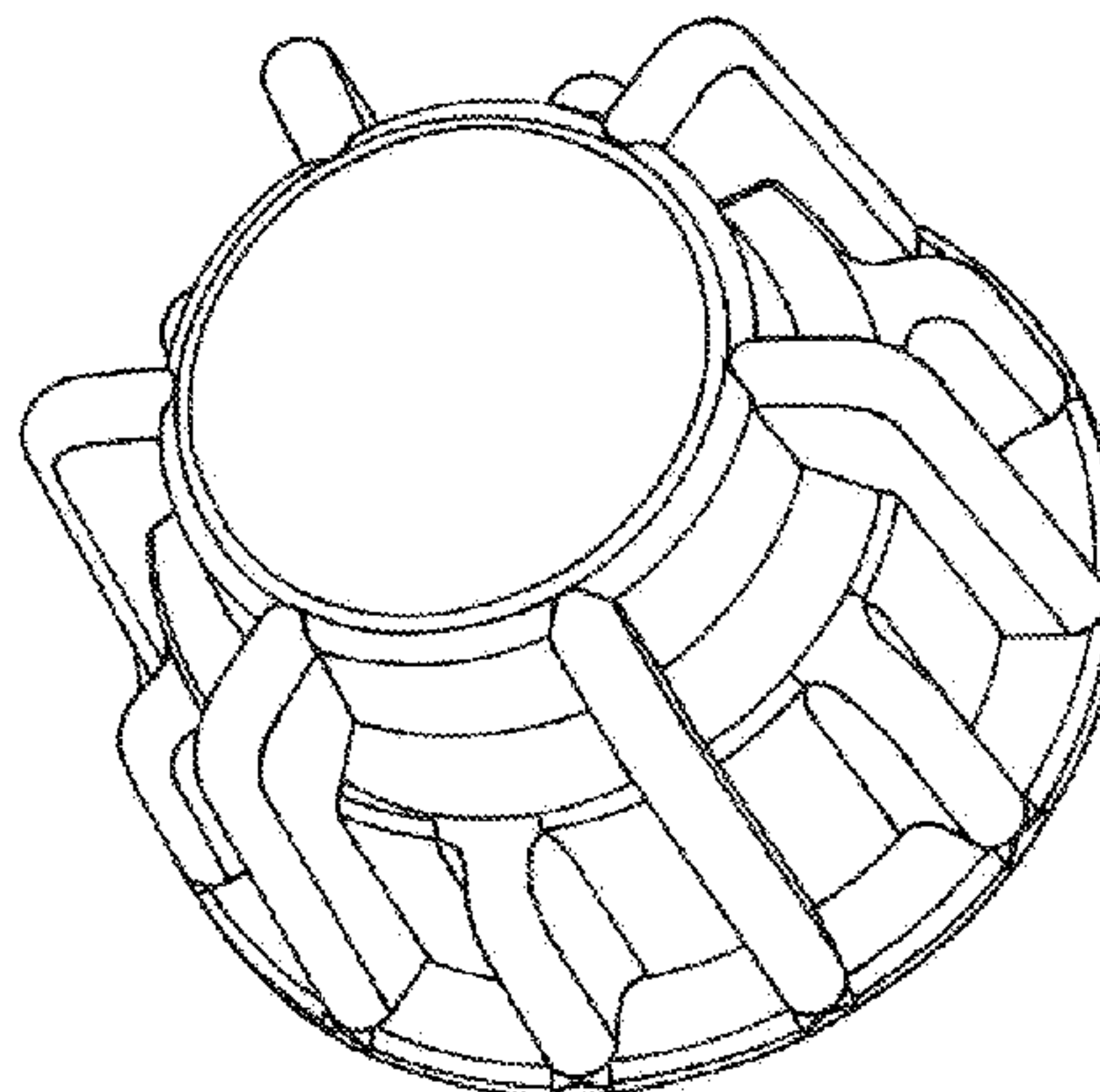
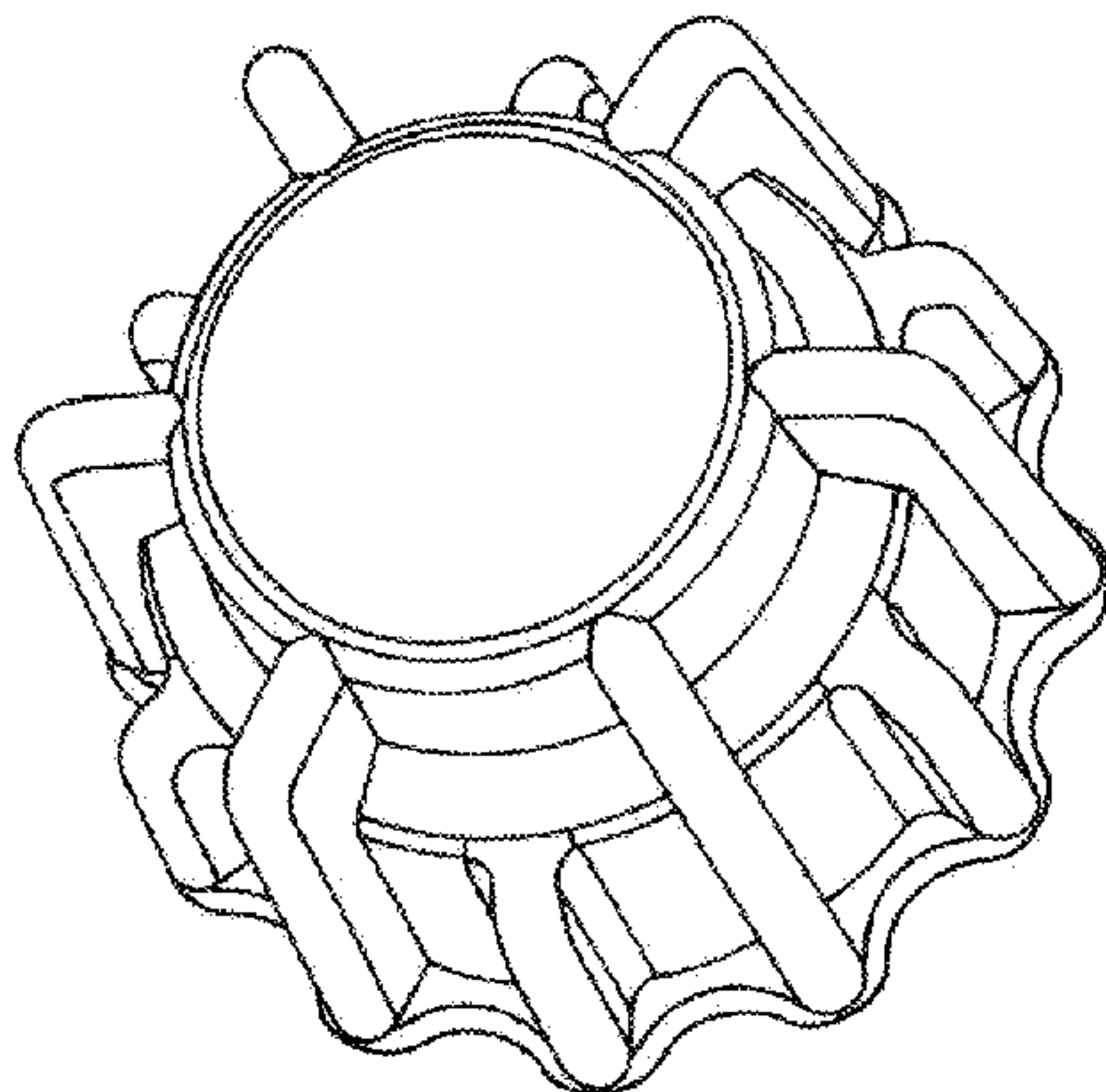
(57) **CLAIM**

The ornamental design for a cap, as shown and described.

**DESCRIPTION**

FIG. 1 illustrates a side view of a cap showing a first embodiment of my new design;  
 FIG. 2 illustrates a side view thereof;  
 FIG. 3 illustrates a side view thereof;  
 FIG. 4 illustrates a side view thereof;  
 FIG. 5 illustrates a top view thereof;  
 FIG. 6 illustrates a bottom view thereof;  
 FIG. 7 illustrates a perspective view thereof;  
 FIG. 8 illustrates a side view of a cap showing a second embodiment of my new design;  
 FIG. 9 illustrates a side view thereof;  
 FIG. 10 illustrates a side view thereof;  
 FIG. 11 illustrates a side view thereof;  
 FIG. 12 illustrates a top view thereof;  
 FIG. 13 illustrates a bottom view thereof;  
 FIG. 14 illustrates a perspective view thereof;  
 FIG. 15 illustrates a side view of a cap showing a third embodiment of my new design;  
 FIG. 16 illustrates a side view thereof;  
 FIG. 17 illustrates a side view thereof;  
 FIG. 18 illustrates a side view thereof;  
 FIG. 19 illustrates a top view thereof;  
 FIG. 20 illustrates a bottom view thereof; and,  
 FIG. 21 illustrates a perspective view thereof.  
 In the drawings, the broken lines depict environmental subject matter only that forms no part of the claim.

**1 Claim, 21 Drawing Sheets**



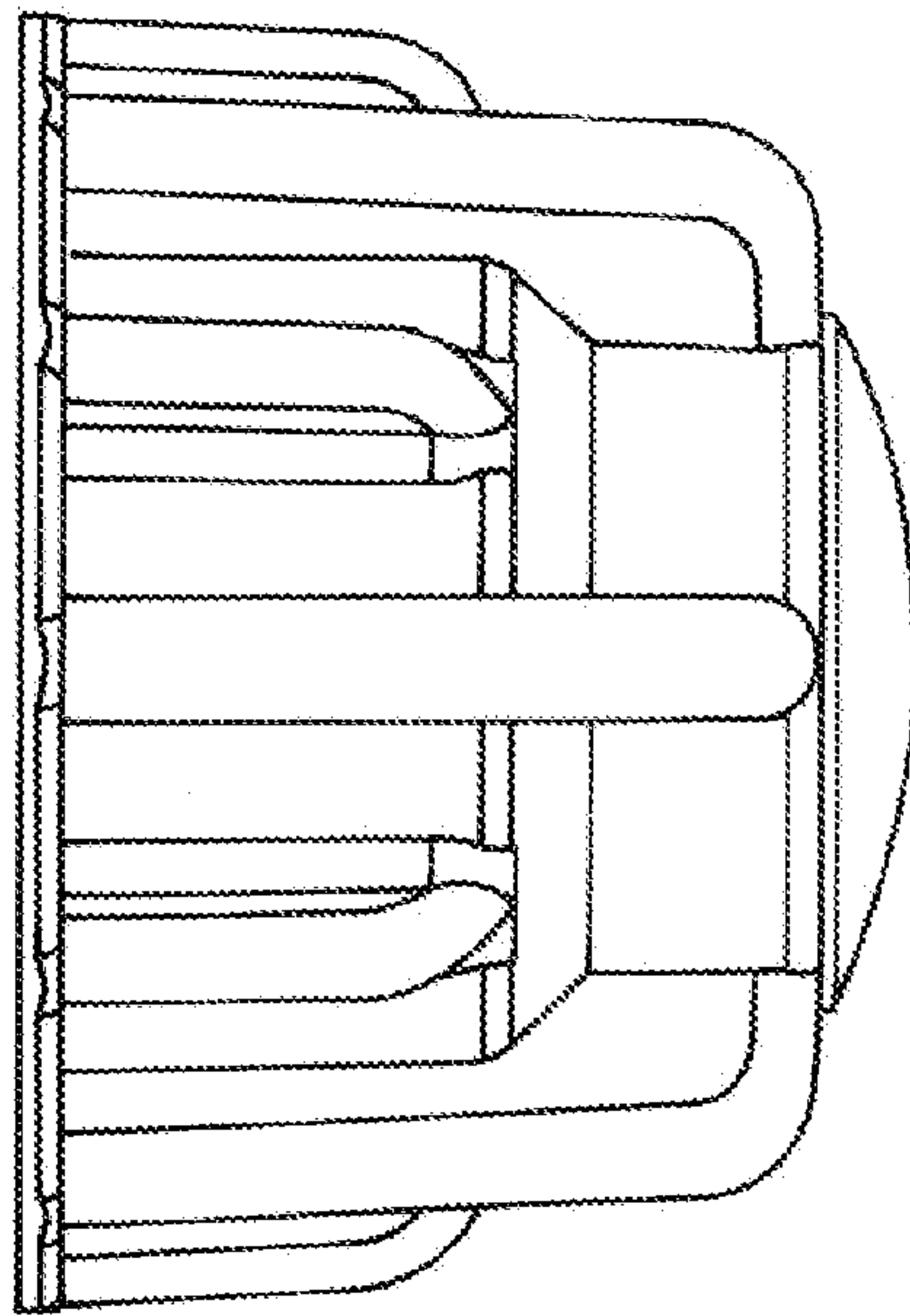


Figure 1

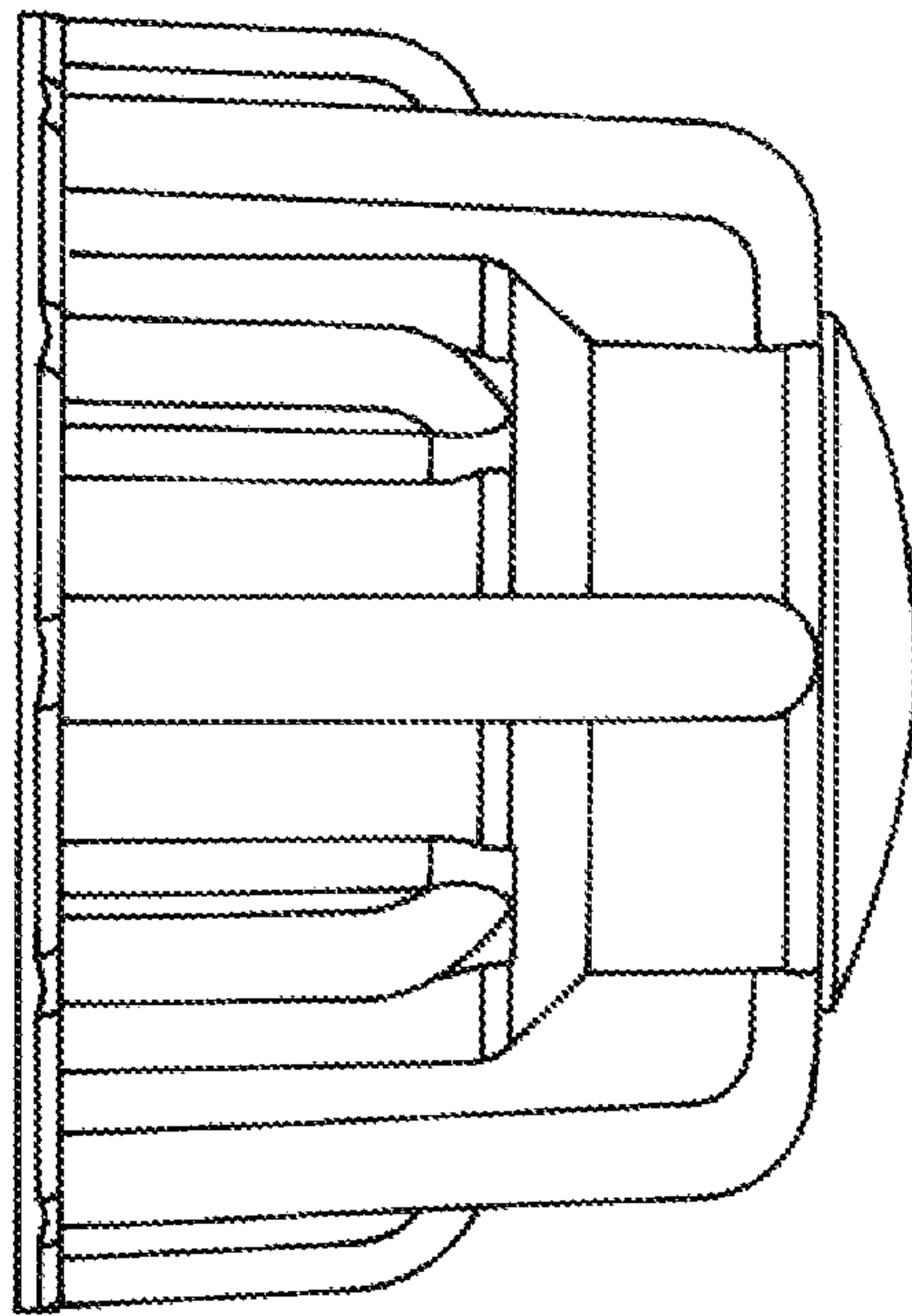


Figure 2

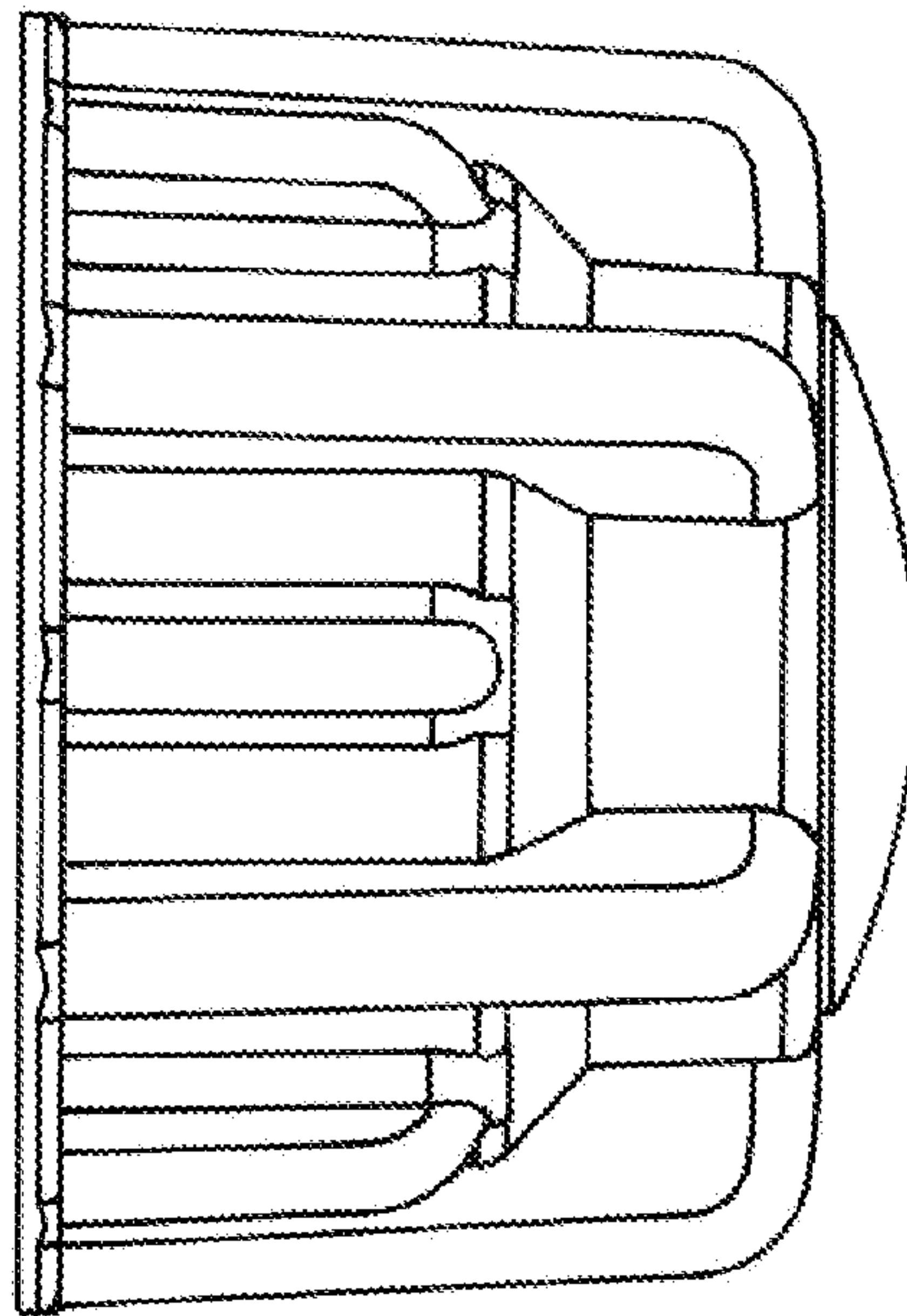


Figure 3

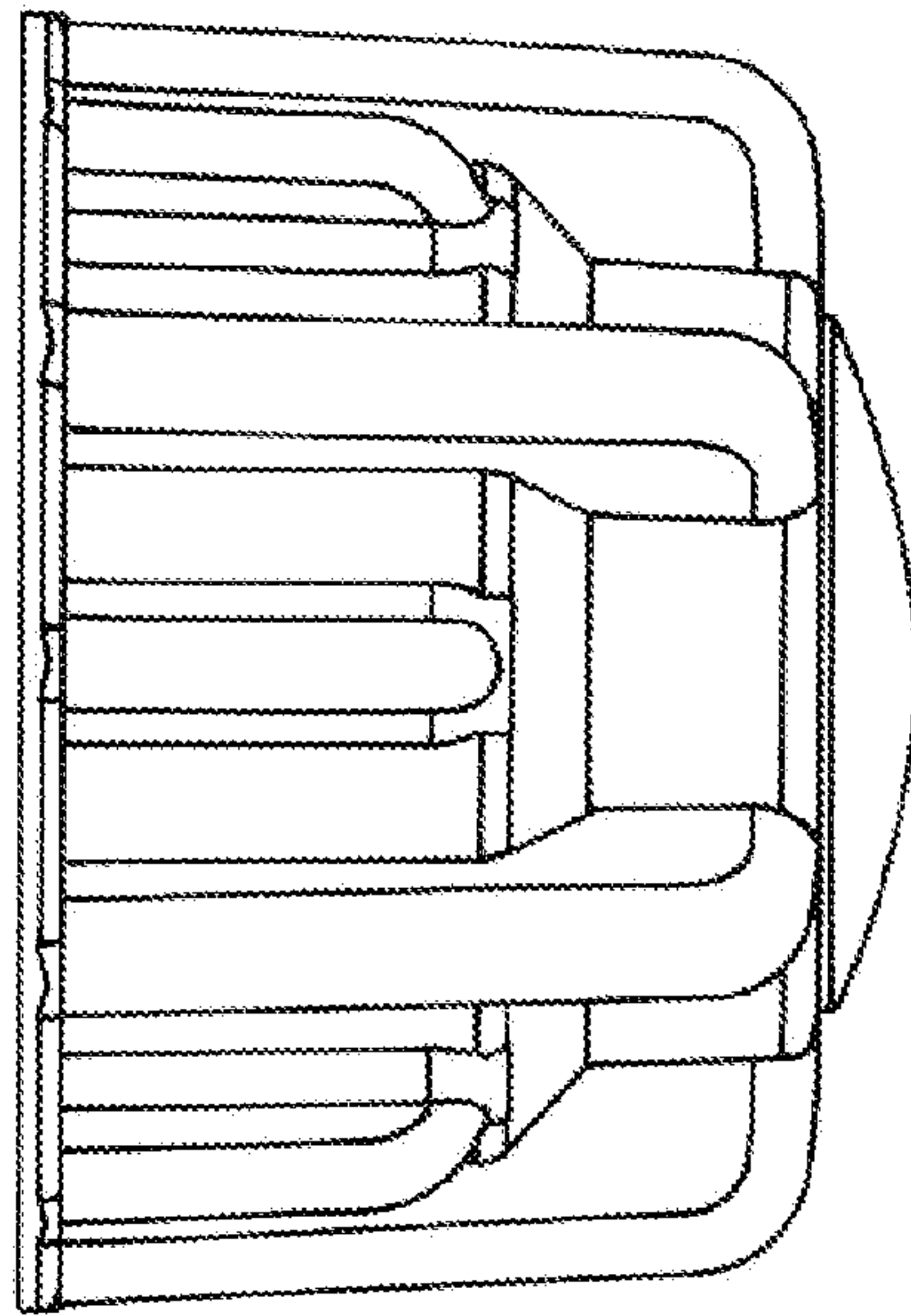


Figure 4



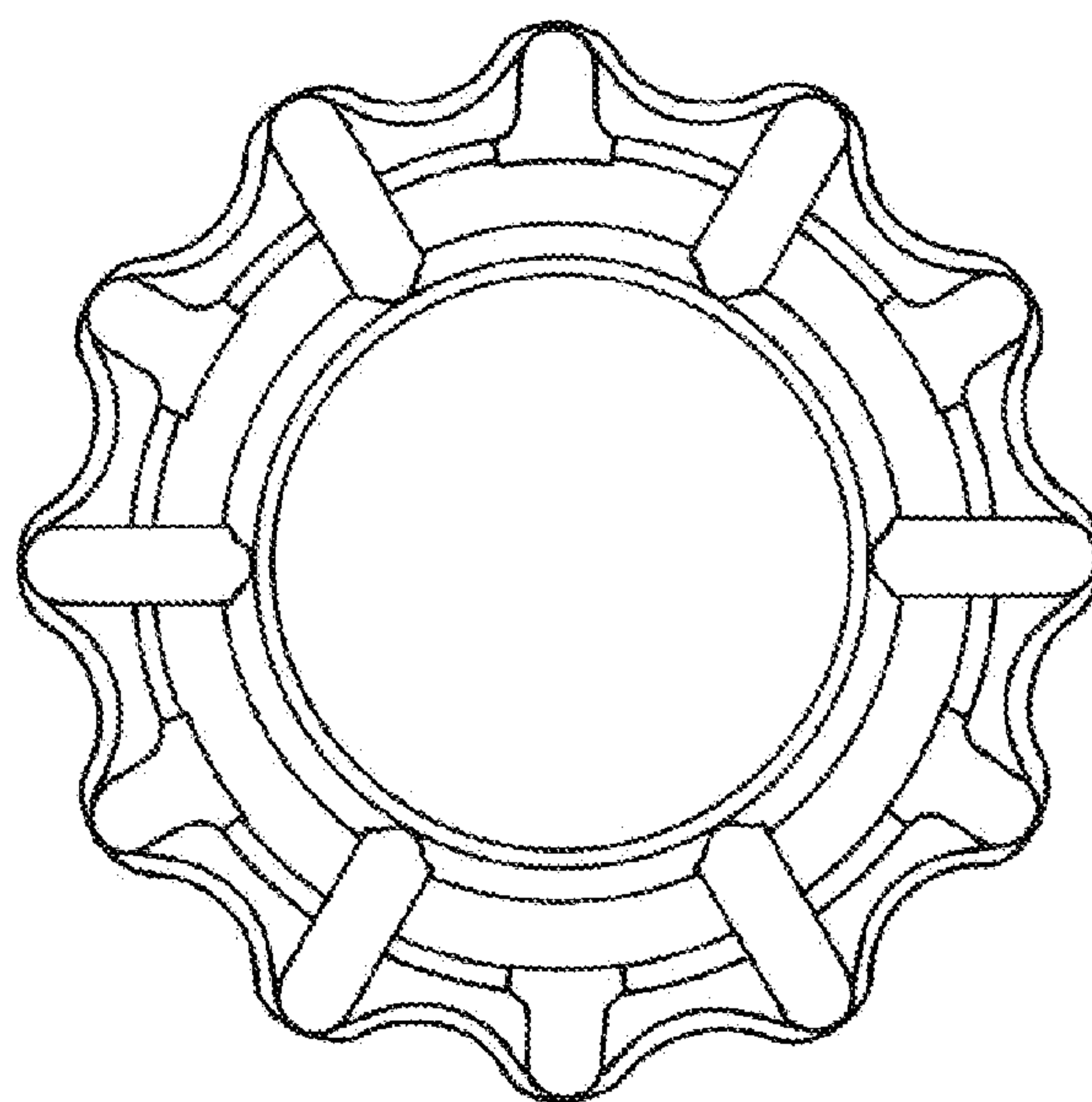


Figure 5

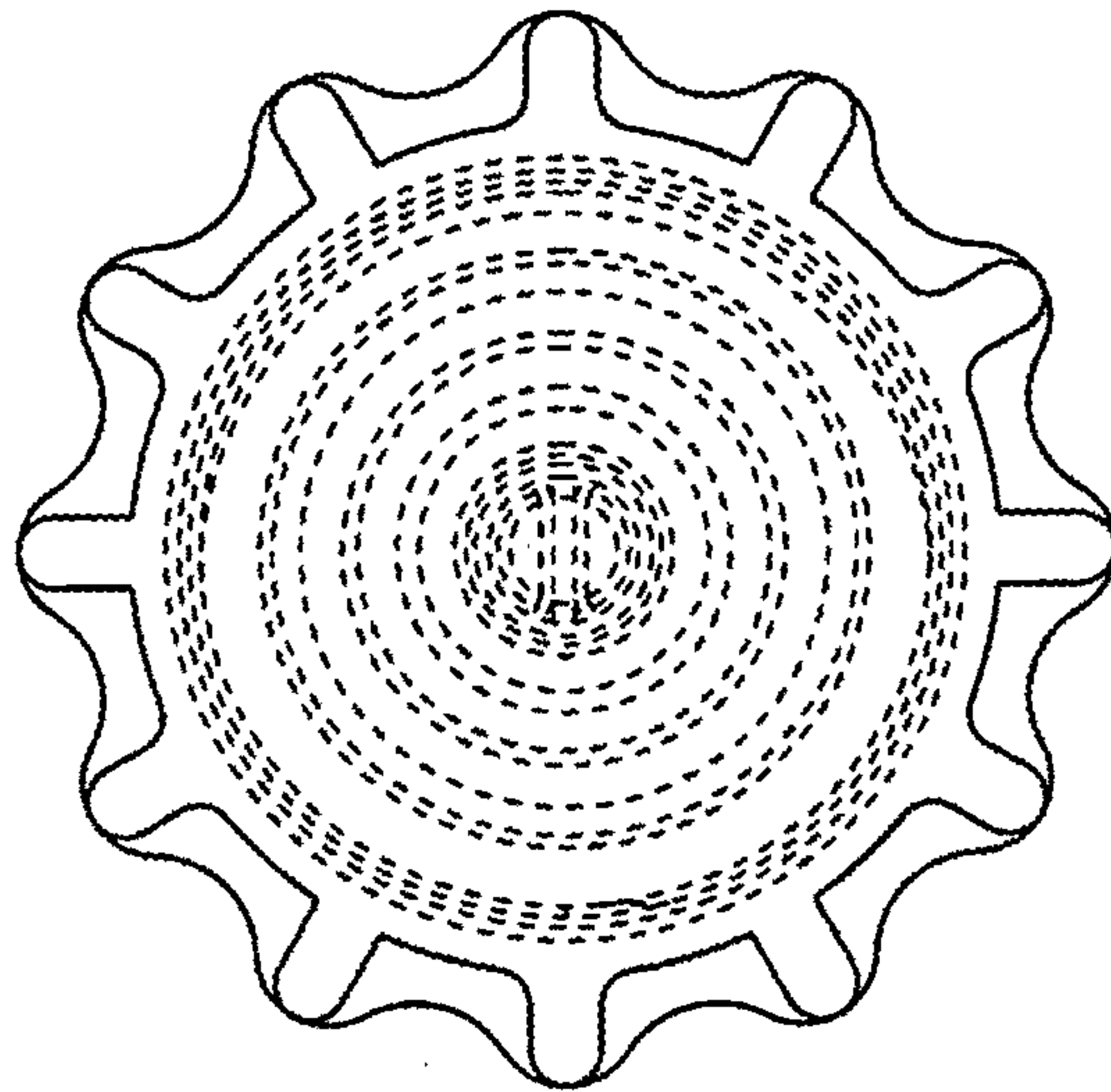


Figure 6

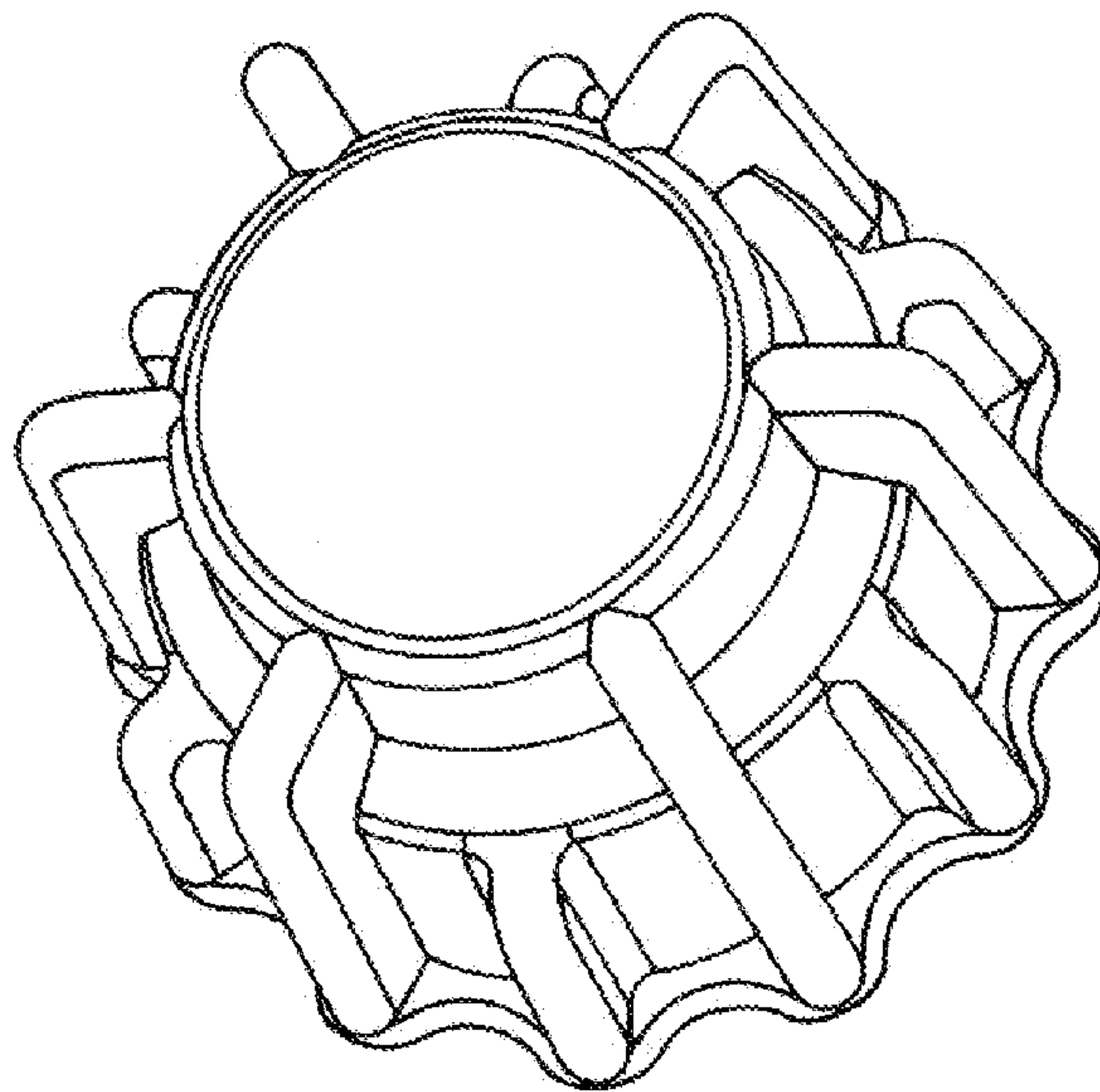


Figure 7



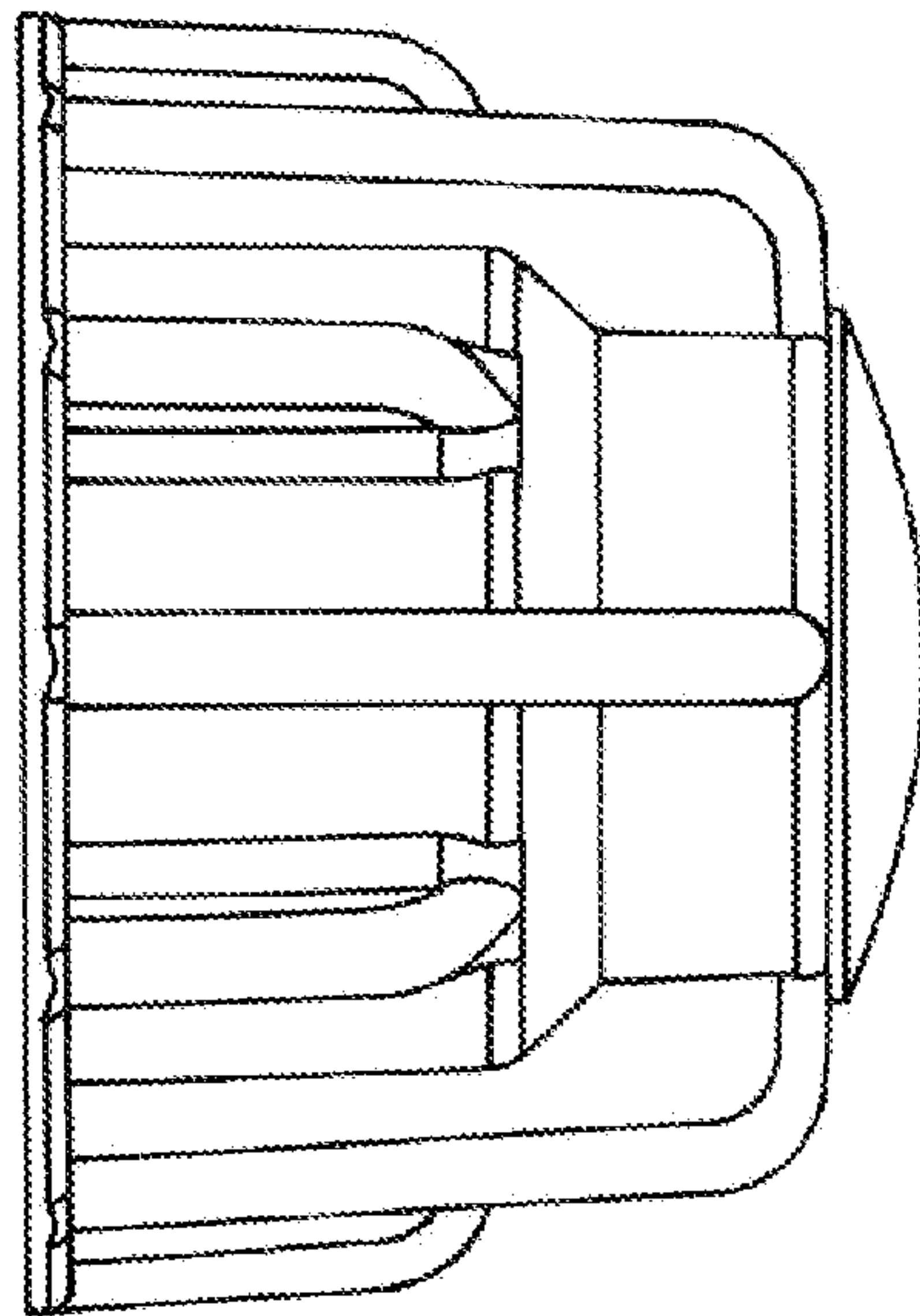


Figure 8

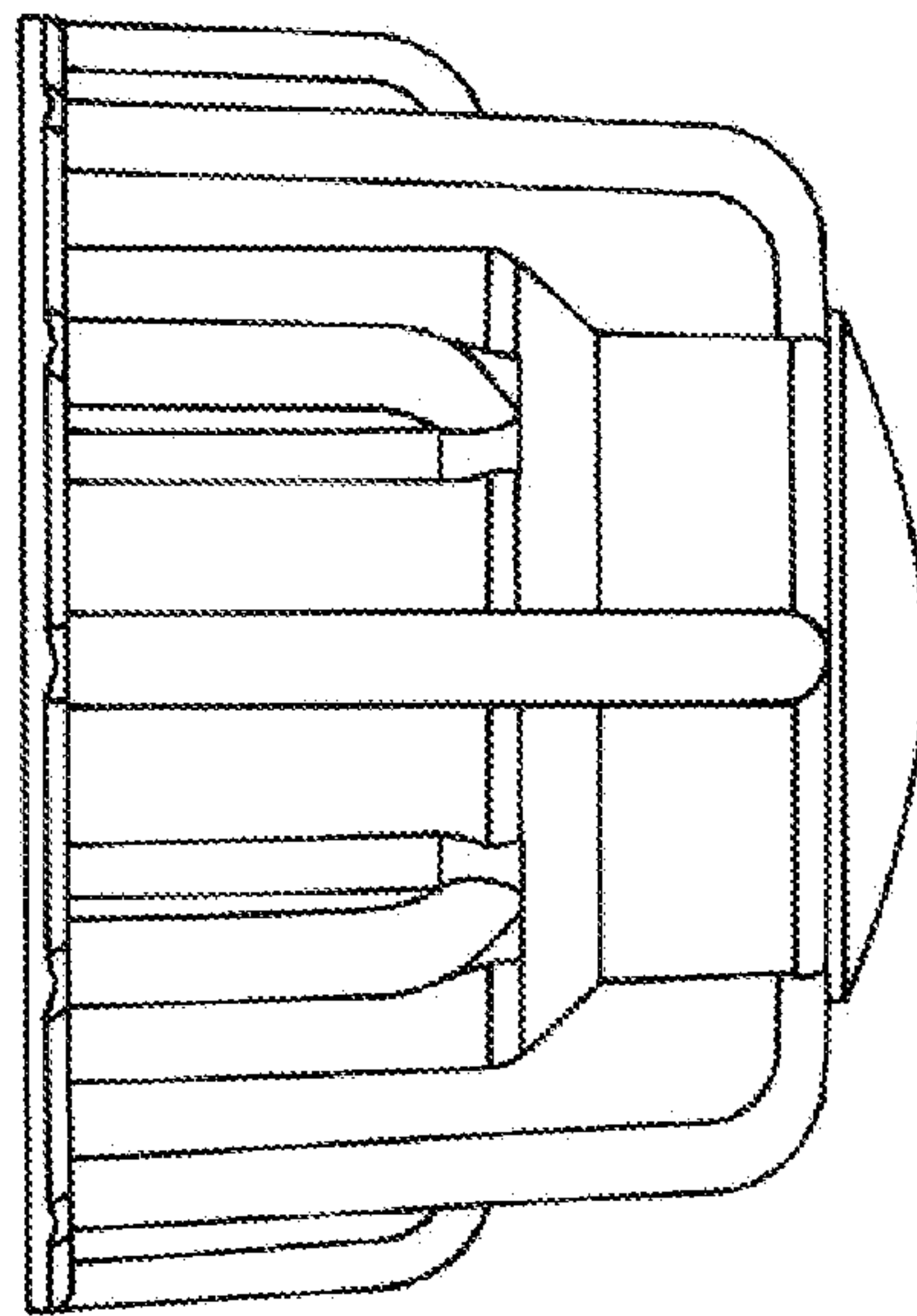


Figure 9

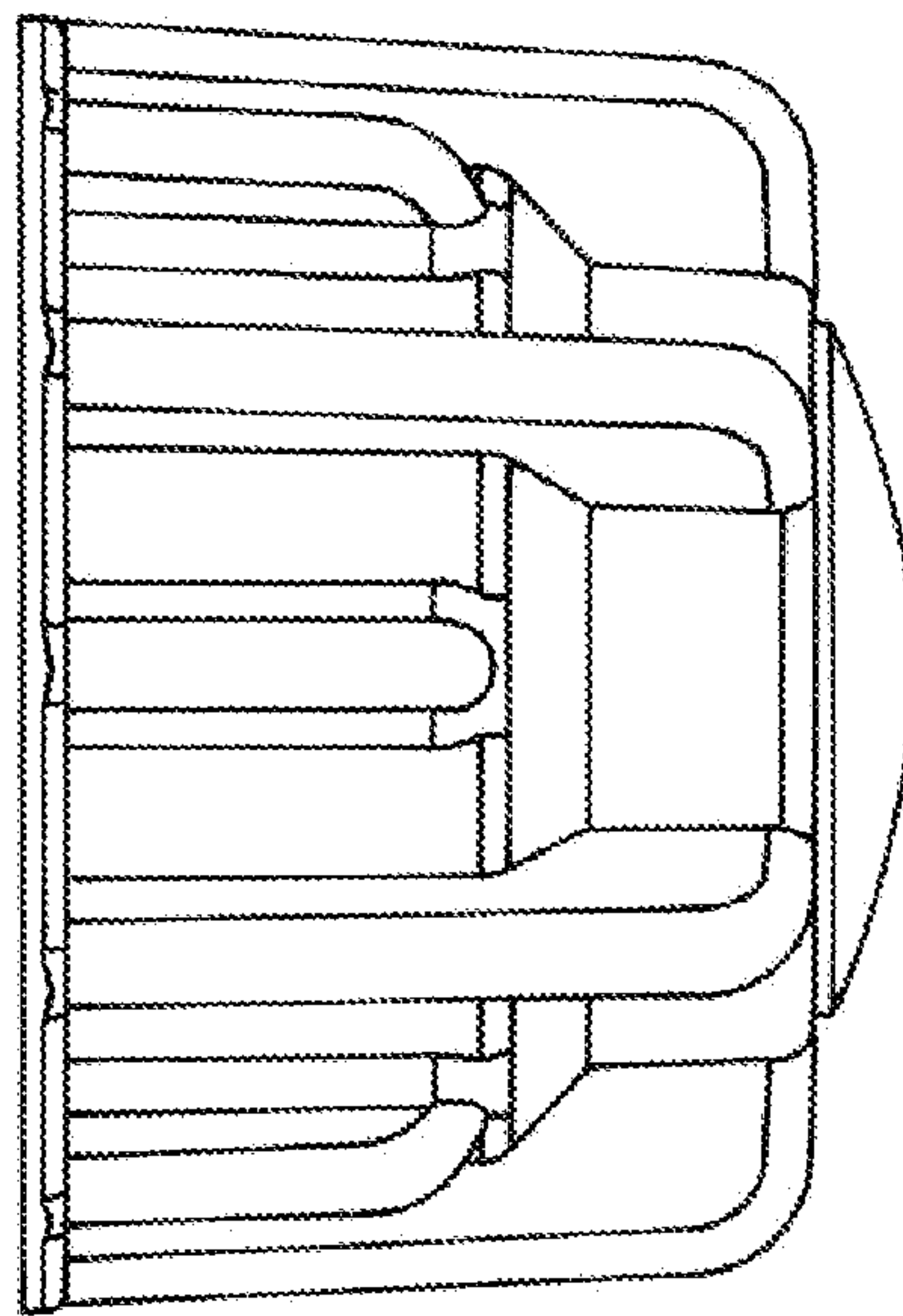


Figure 10

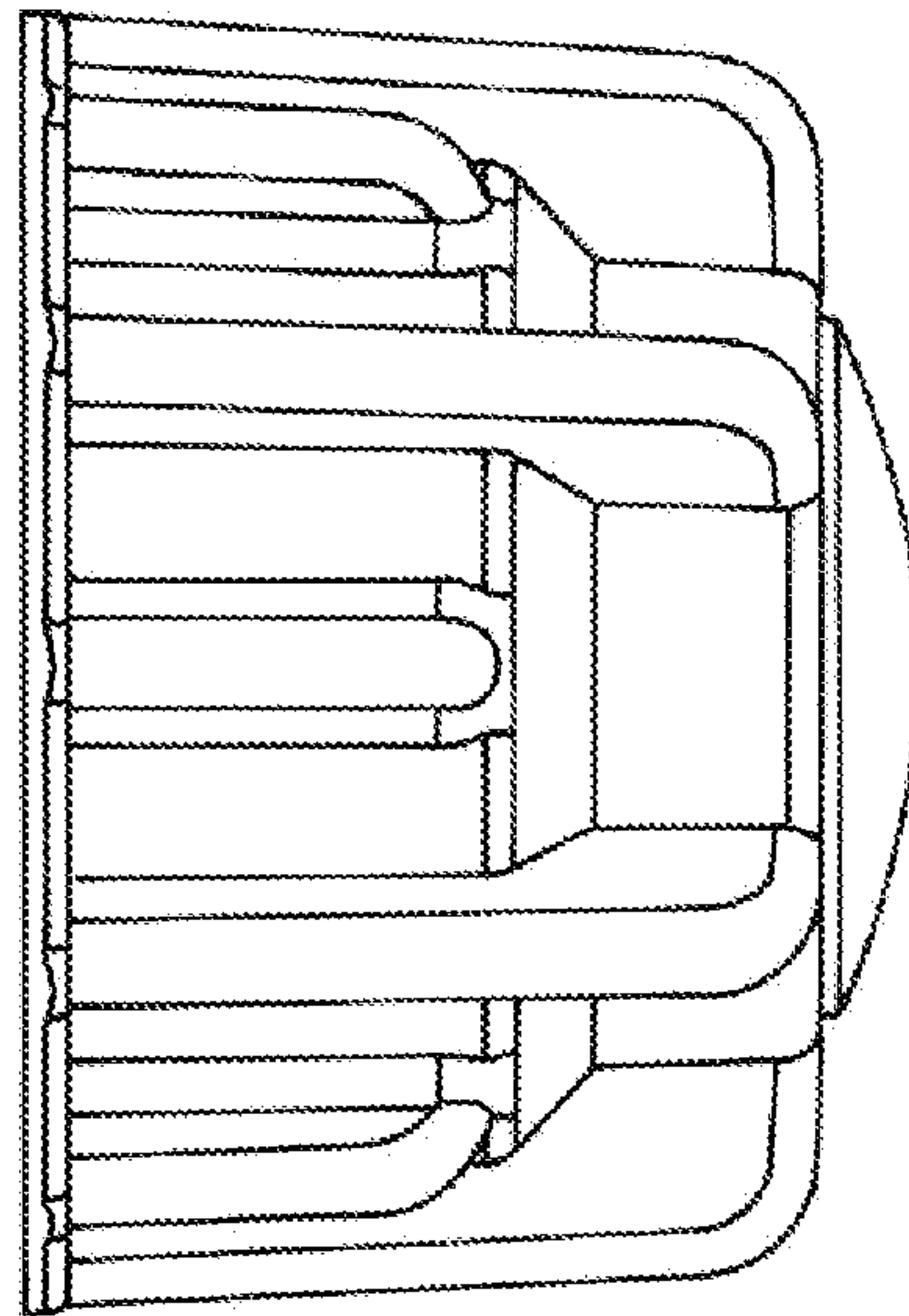


Figure 11

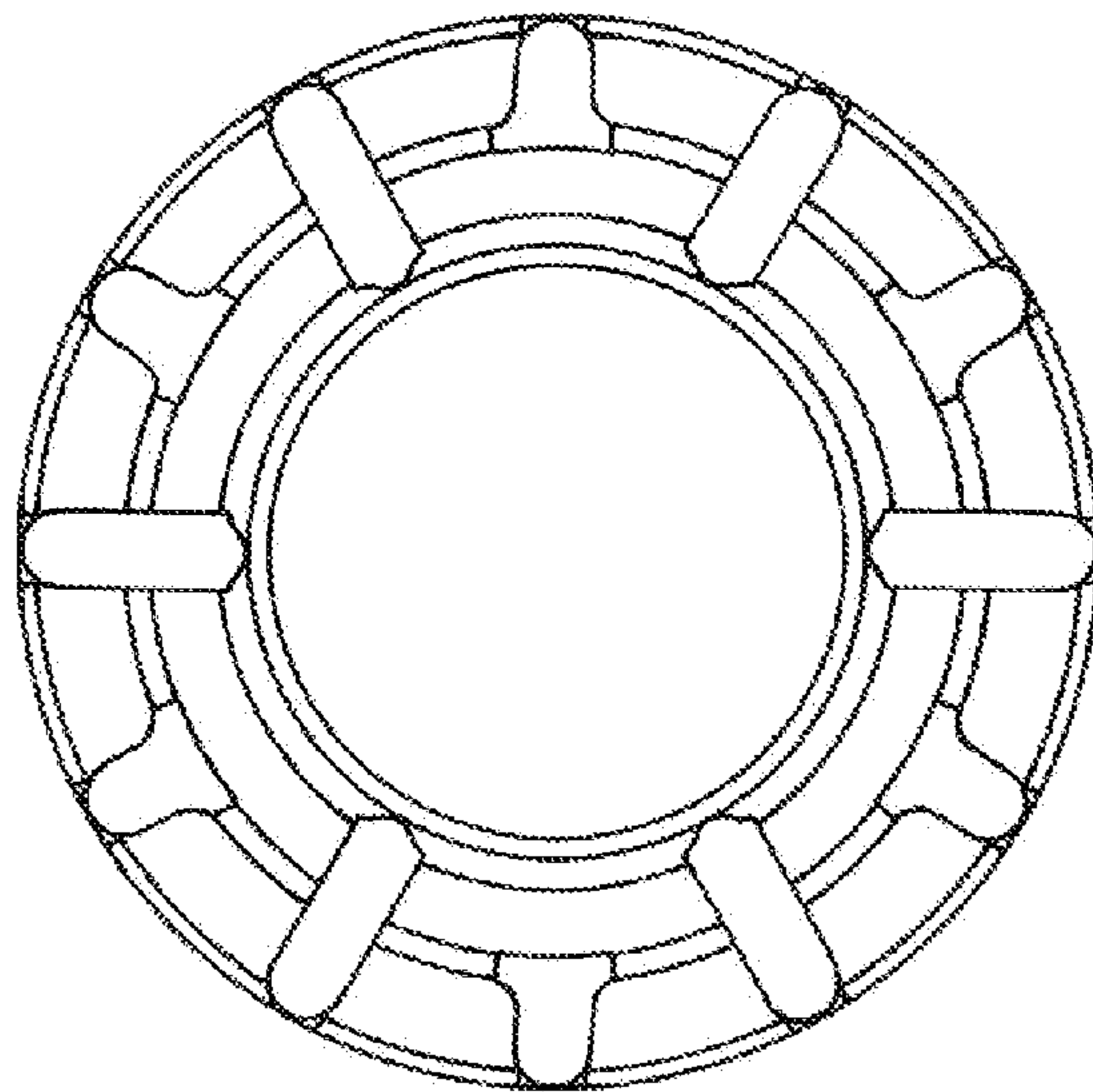


Figure 12

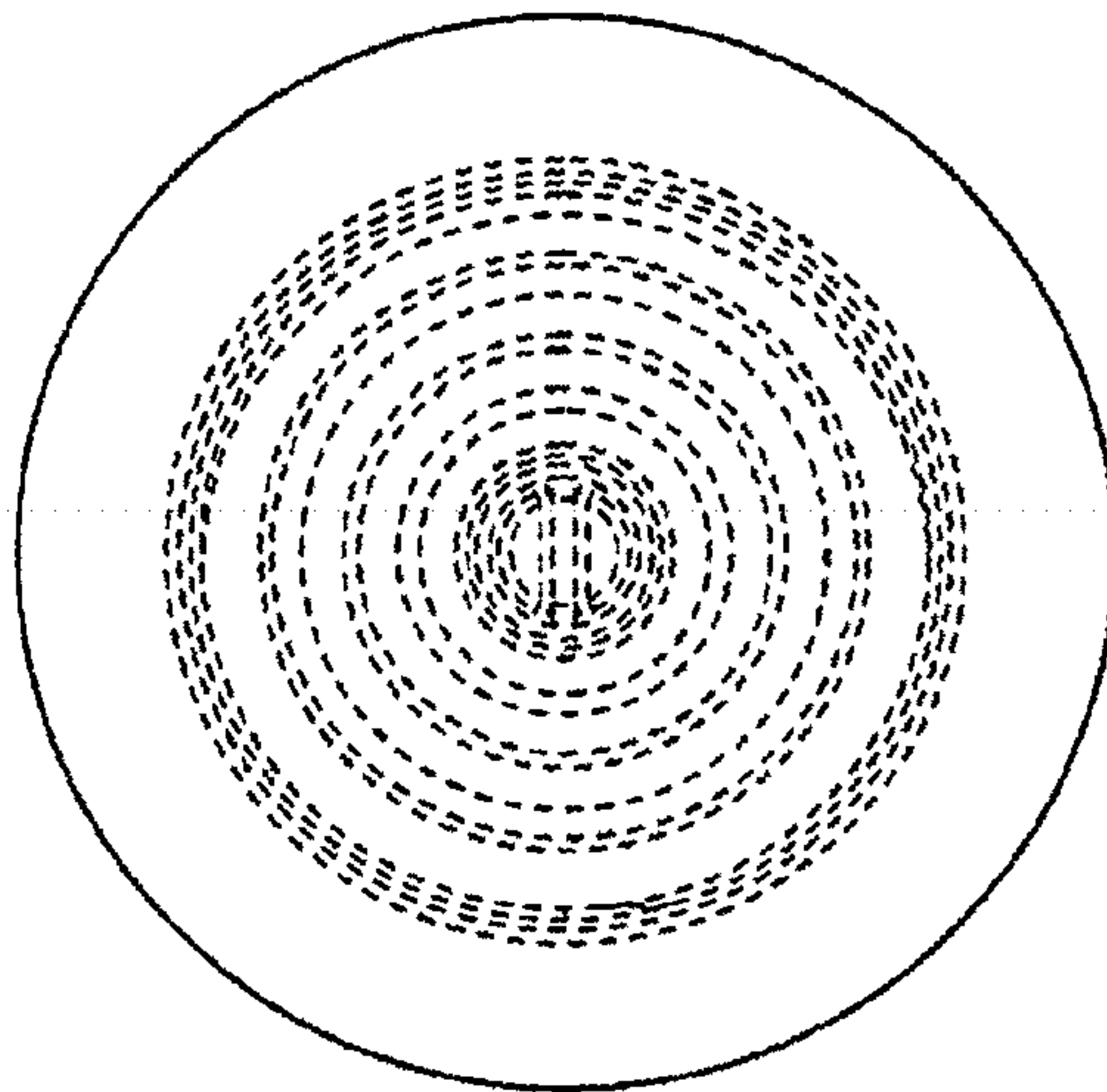


Figure 13



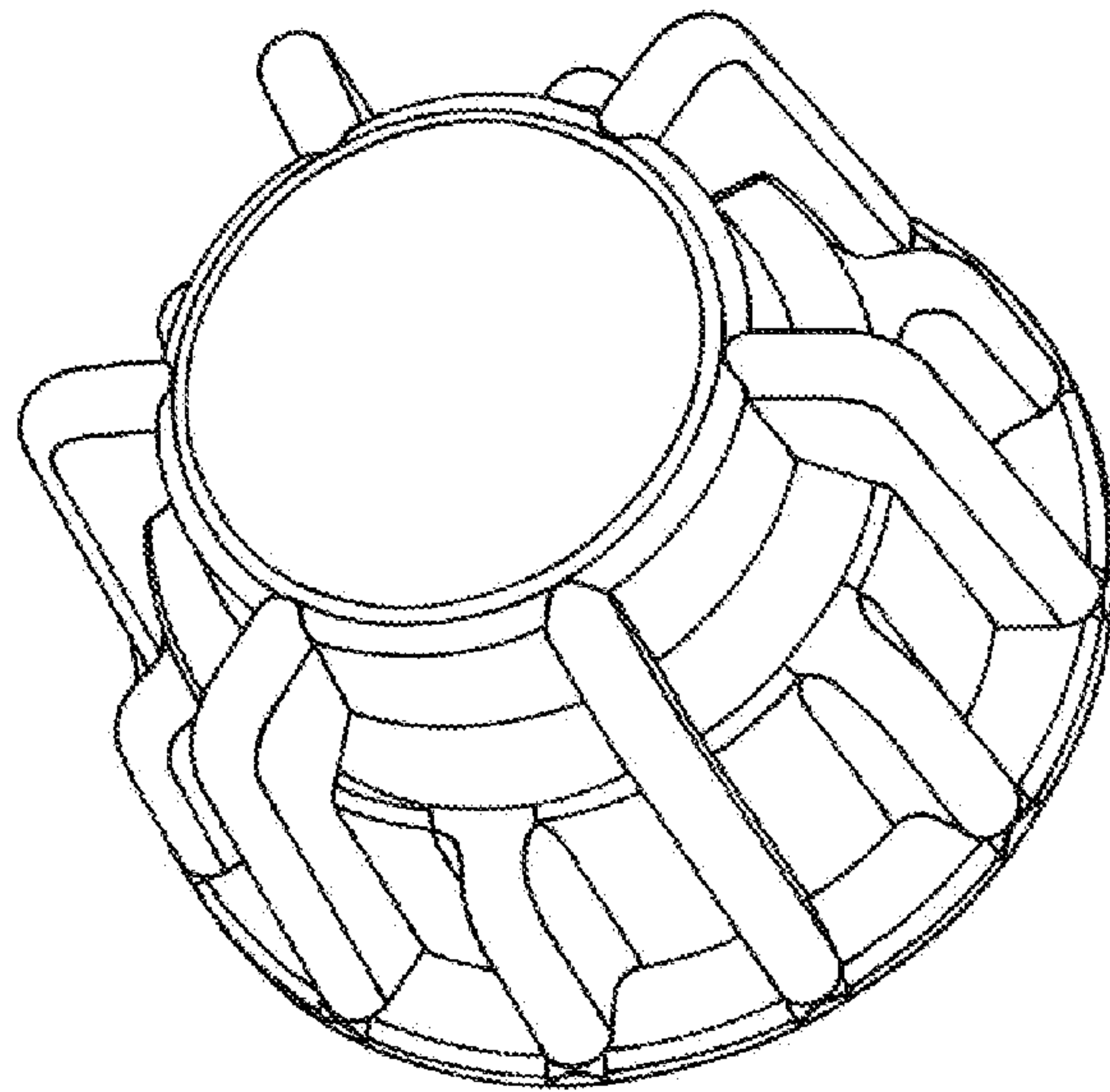


Figure 14

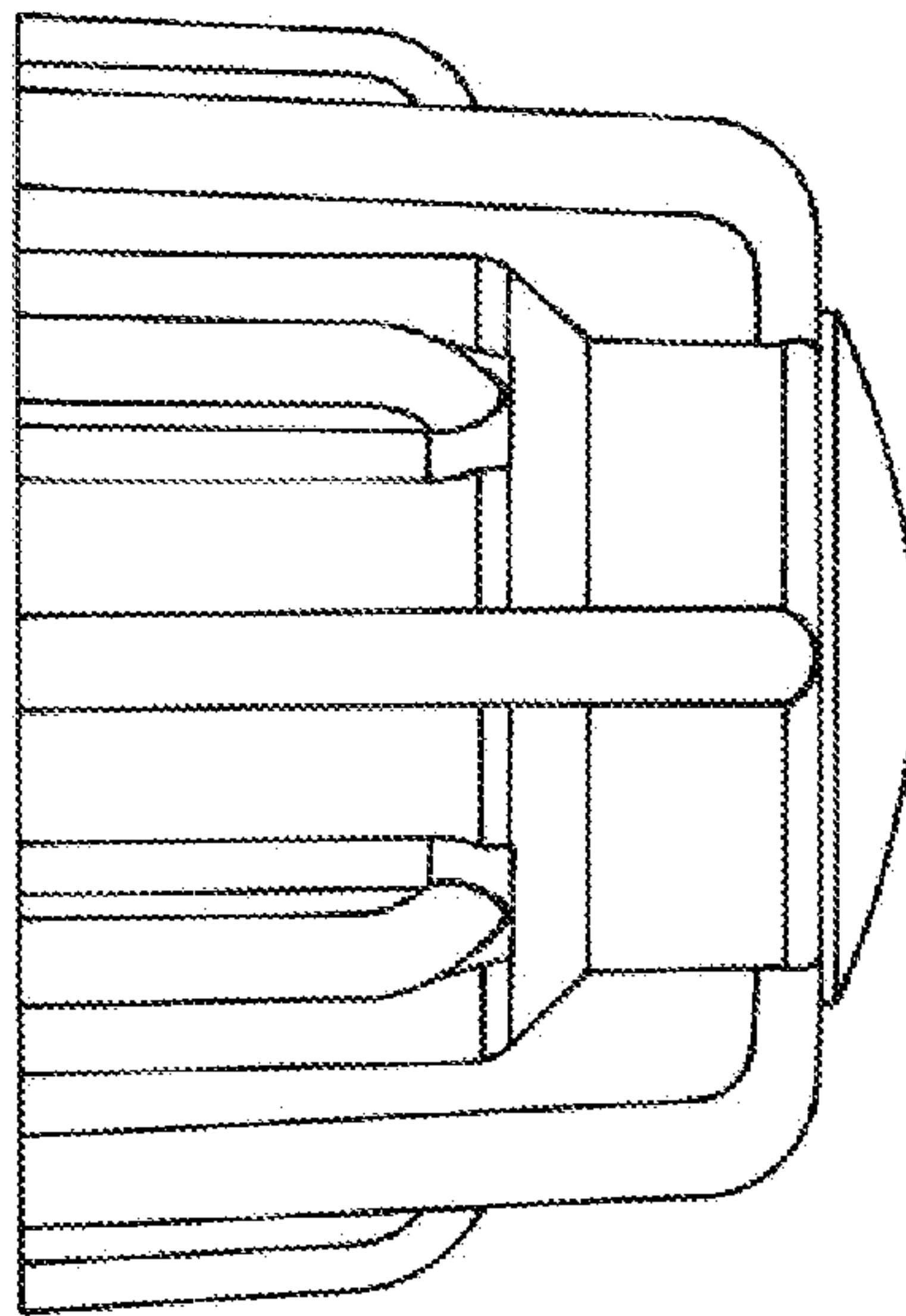


Figure 15

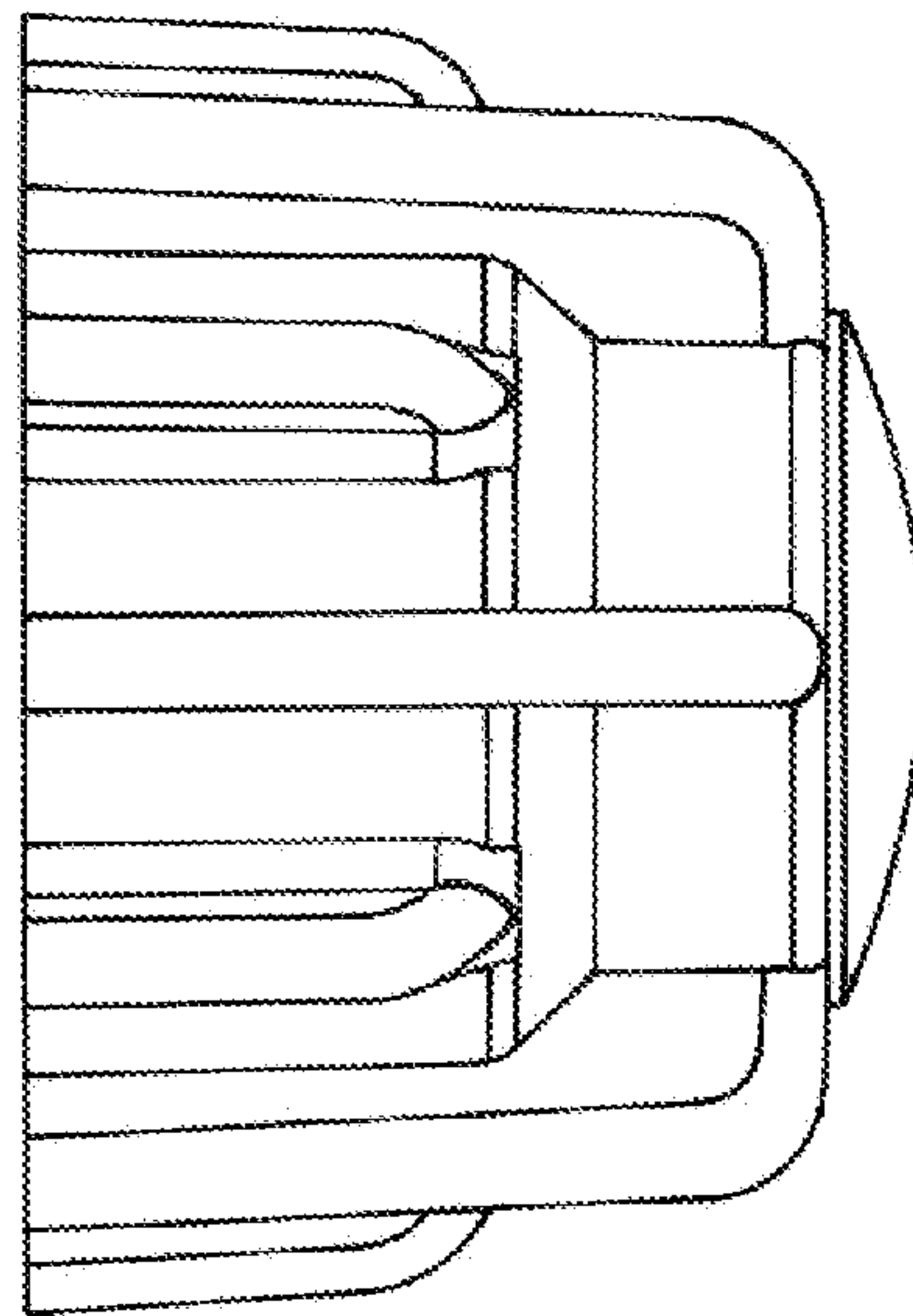


Figure 16

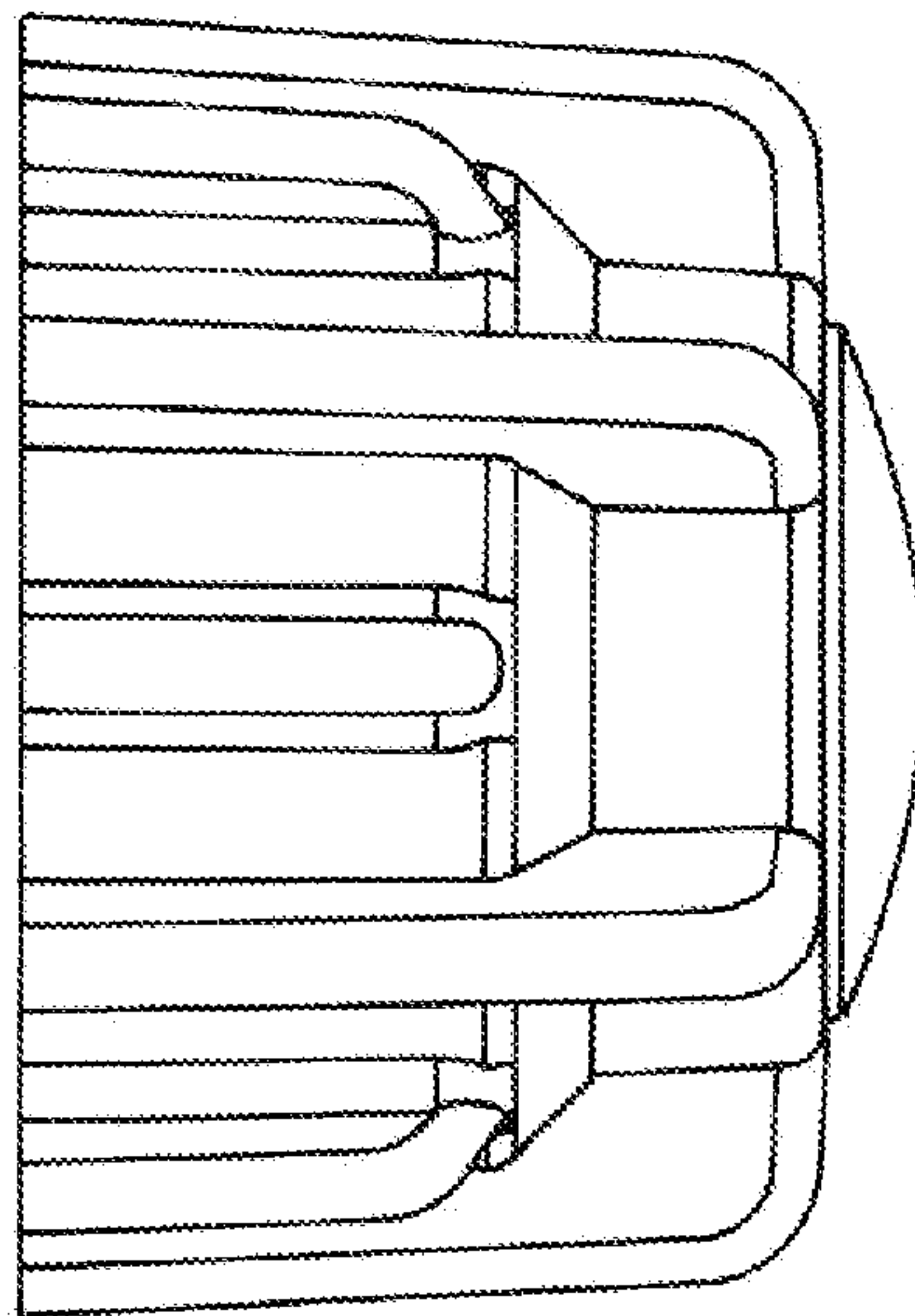


Figure 17

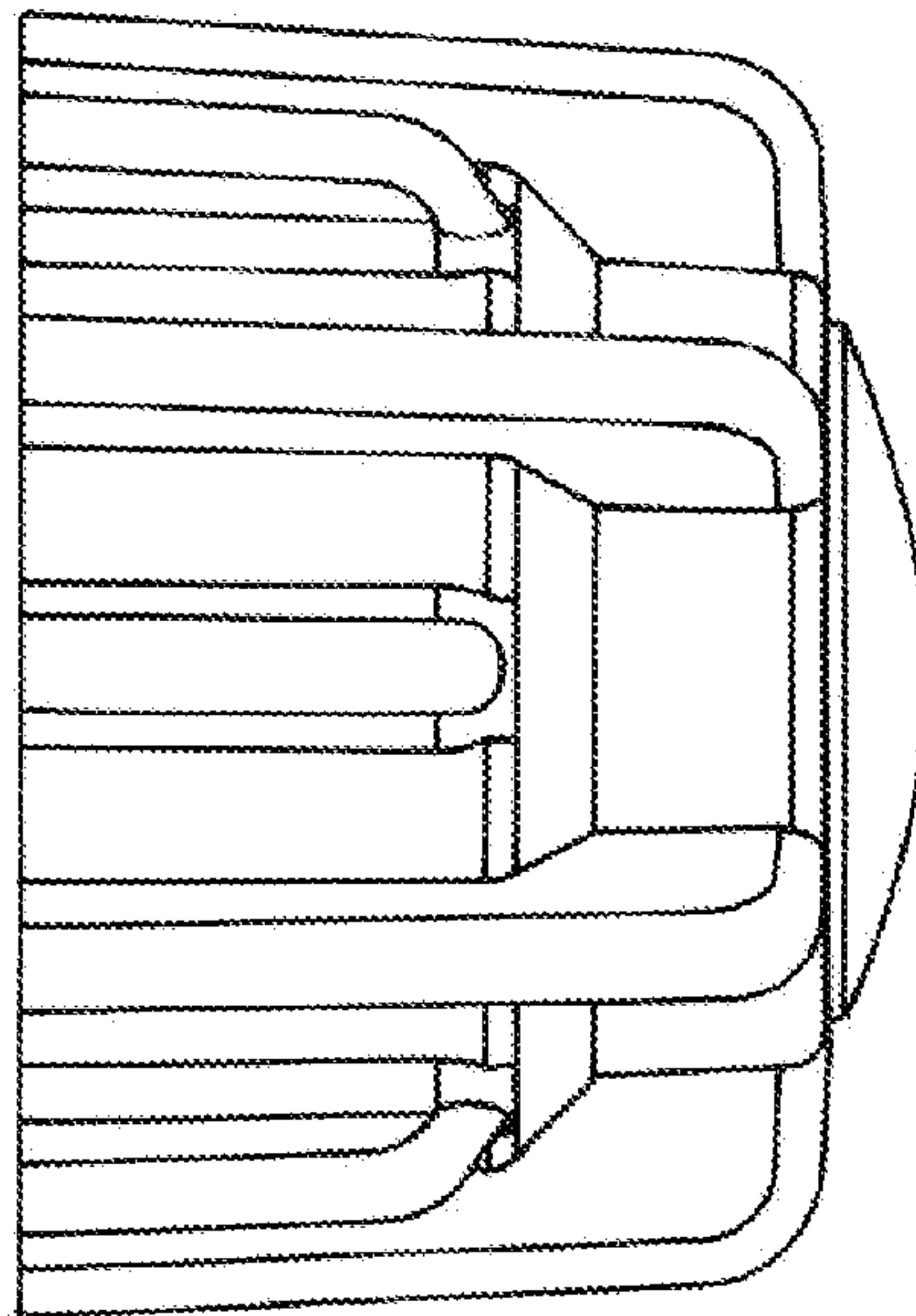


Figure 18

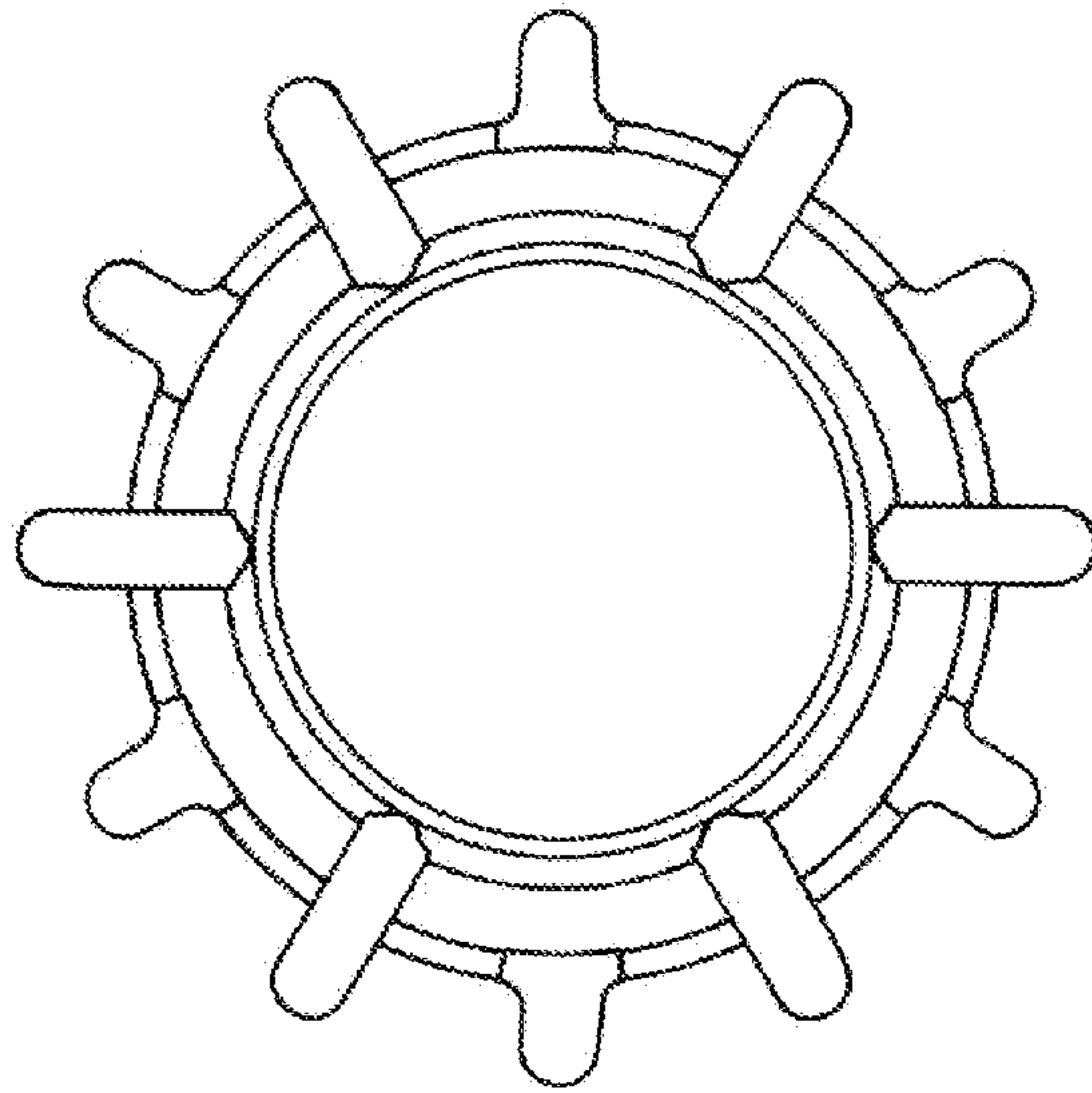


Figure 19



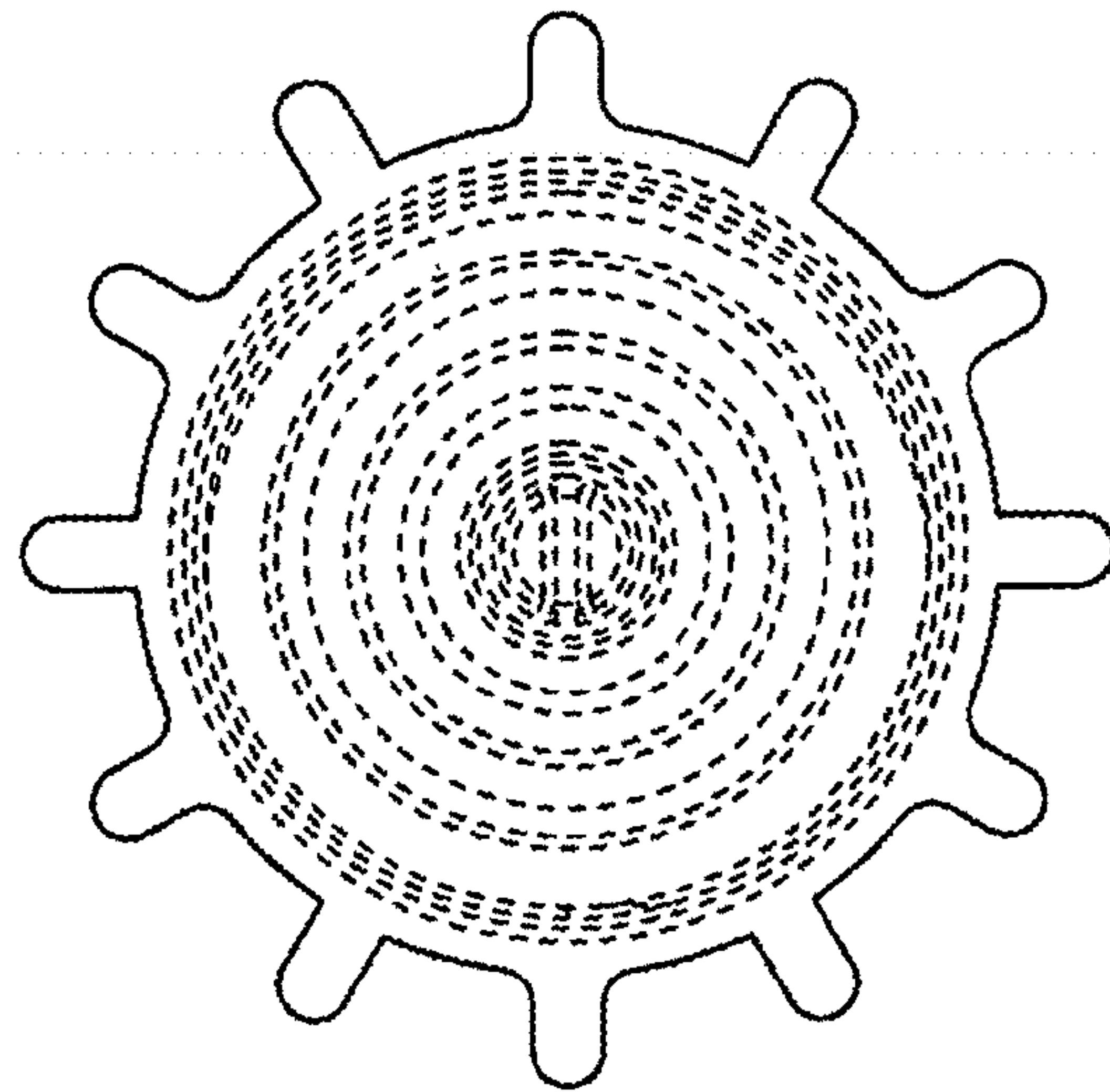


Figure 20

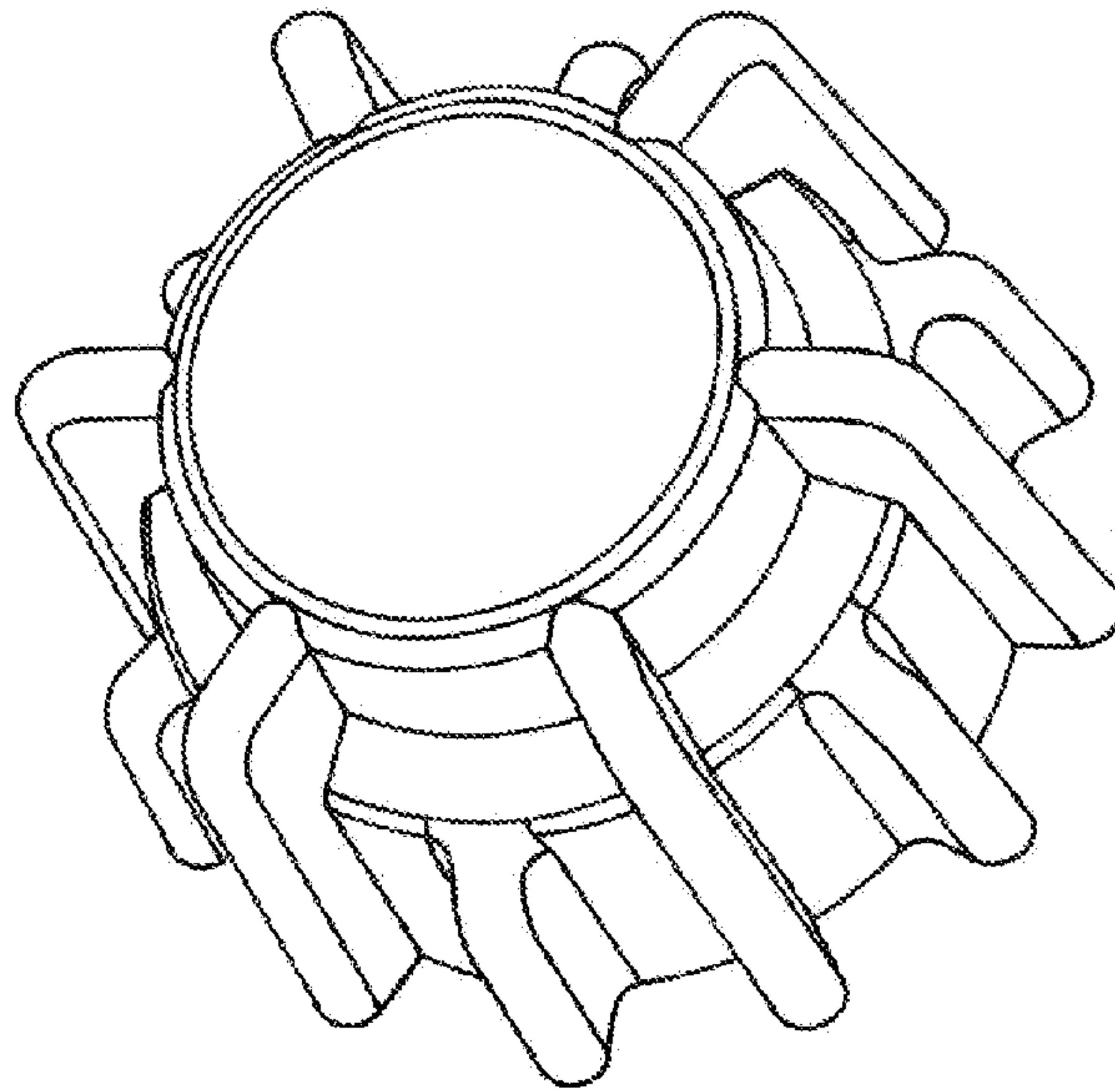


Figure 21