



US00D757545S

(12) **United States Design Patent**
King

(10) **Patent No.:** **US D757,545 S**

(45) **Date of Patent:** **** May 31, 2016**

(54) **CAP**

(71) Applicant: **Beeson and Sons Limited**, Gerrards
Cross, Buckinghamshire (GB)

(72) Inventor: **Roger Milner King**, Latimer (GB)

(73) Assignee: **Beeson and Sons Limited**,
Buckinghamshire (GB)

(**) Term: **14 Years**

(21) Appl. No.: **29/496,060**

(22) Filed: **Jul. 9, 2014**

Related U.S. Application Data

(62) Division of application No. 29/418,224, filed on Apr.
13, 2012, now Pat. No. Des. 714,146.

(30) **Foreign Application Priority Data**

Nov. 1, 2011	(EP)	001940941-0001
Nov. 1, 2011	(EP)	001940941-0002
Nov. 1, 2011	(EP)	001940941-0003
Nov. 1, 2011	(EP)	001940941-0004
Nov. 1, 2011	(EP)	001940941-0005
Nov. 1, 2011	(EP)	001940941-0006

(51) **LOC (10) Cl.** **09-07**

(52) **U.S. Cl.**
USPC **D9/453**

(58) **Field of Classification Search**
USPC D7/510, 900; D9/434, 435, 436, 438,
D9/445, 452, 453, 454; D24/224; 220/556;
215/200, 235, 236, 252, 254, 329,
215/355-364
CPC .. B65D 1/36; B65D 47/0814; B65D 41/3428;
B65D 41/42; B65D 41/0428; B65D 39/00;
B65D 39/08; A47G 19/26; A23G 3/50
See application file for complete search history.

(56) **References Cited**

U.S. PATENT DOCUMENTS

D279,803	S	*	7/1985	Manning	D21/443
D443,513	S	*	6/2001	Goettner	D9/452
D457,431	S	*	5/2002	Brant et al.	D9/452
D463,281	S	*	9/2002	Druitt	D9/452
D500,677	S	*	1/2005	Druitt	D9/452
D510,523	S	*	10/2005	Pitman et al.	D9/452
D542,656	S	*	5/2007	Szczesniak	D9/453
D606,401	S	*	12/2009	Kamath et al.	D9/453

(Continued)

Primary Examiner — Robert M Spear

Assistant Examiner — Marissa J Cash

(74) *Attorney, Agent, or Firm* — Thomas B. Ryan; Harter
Secrest & Emery LLP

(57) **CLAIM**

I claim the ornamental design for a cap, as shown and
described.

DESCRIPTION

FIG. 1 is a top front perspective view of a cap in accordance
with a first embodiment of this invention.

FIG. 2 is a front elevation thereof, the rear elevation and left
and right side views being identical therewith.

FIG. 3 is a top front perspective view of a cap in accordance
with a second embodiment of this invention.

FIG. 4 is a front elevation thereof, the rear elevation and left
and right side views being identical therewith.

FIG. 5 is a top front perspective view of a cap in accordance
with a third embodiment of this invention.

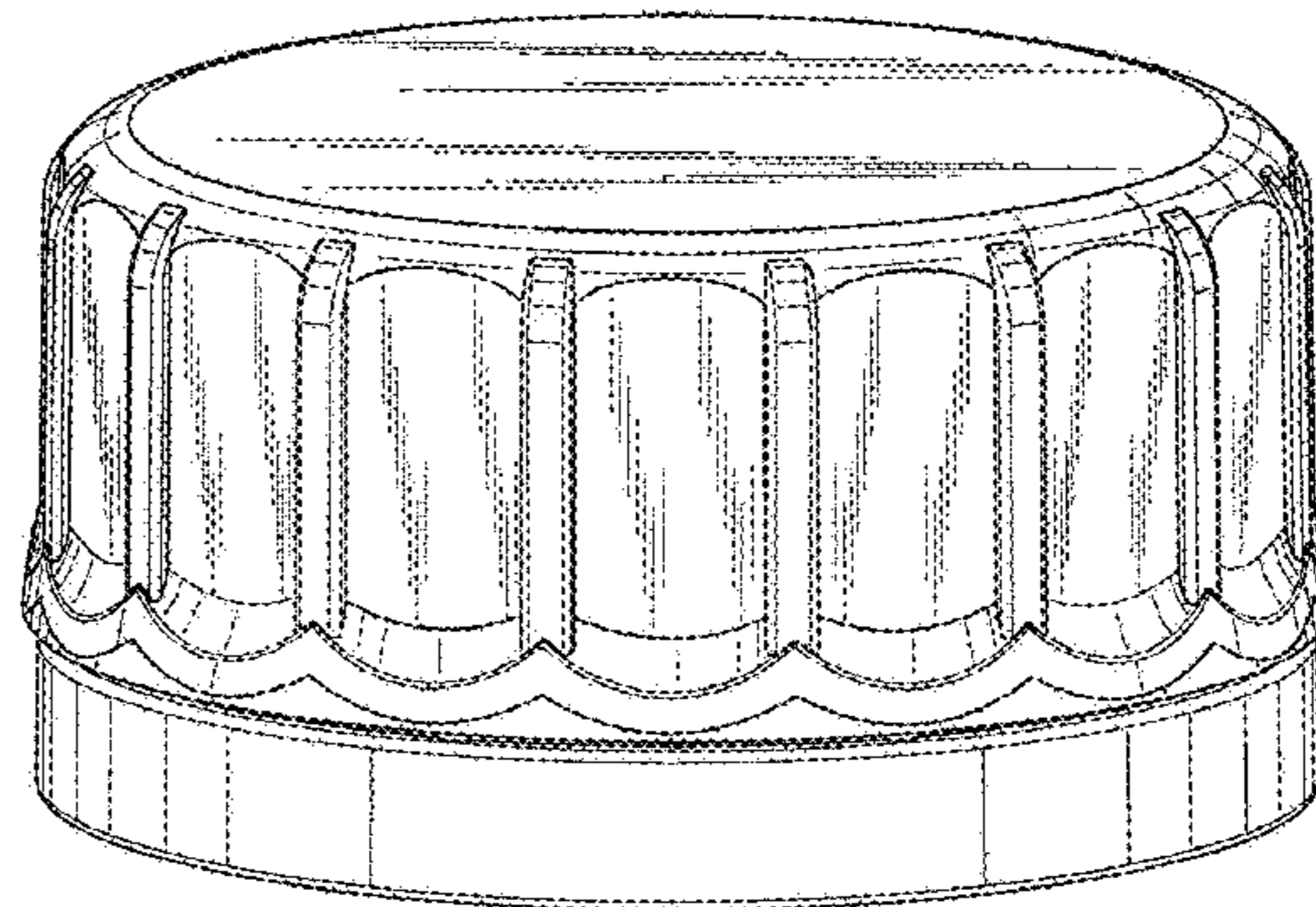
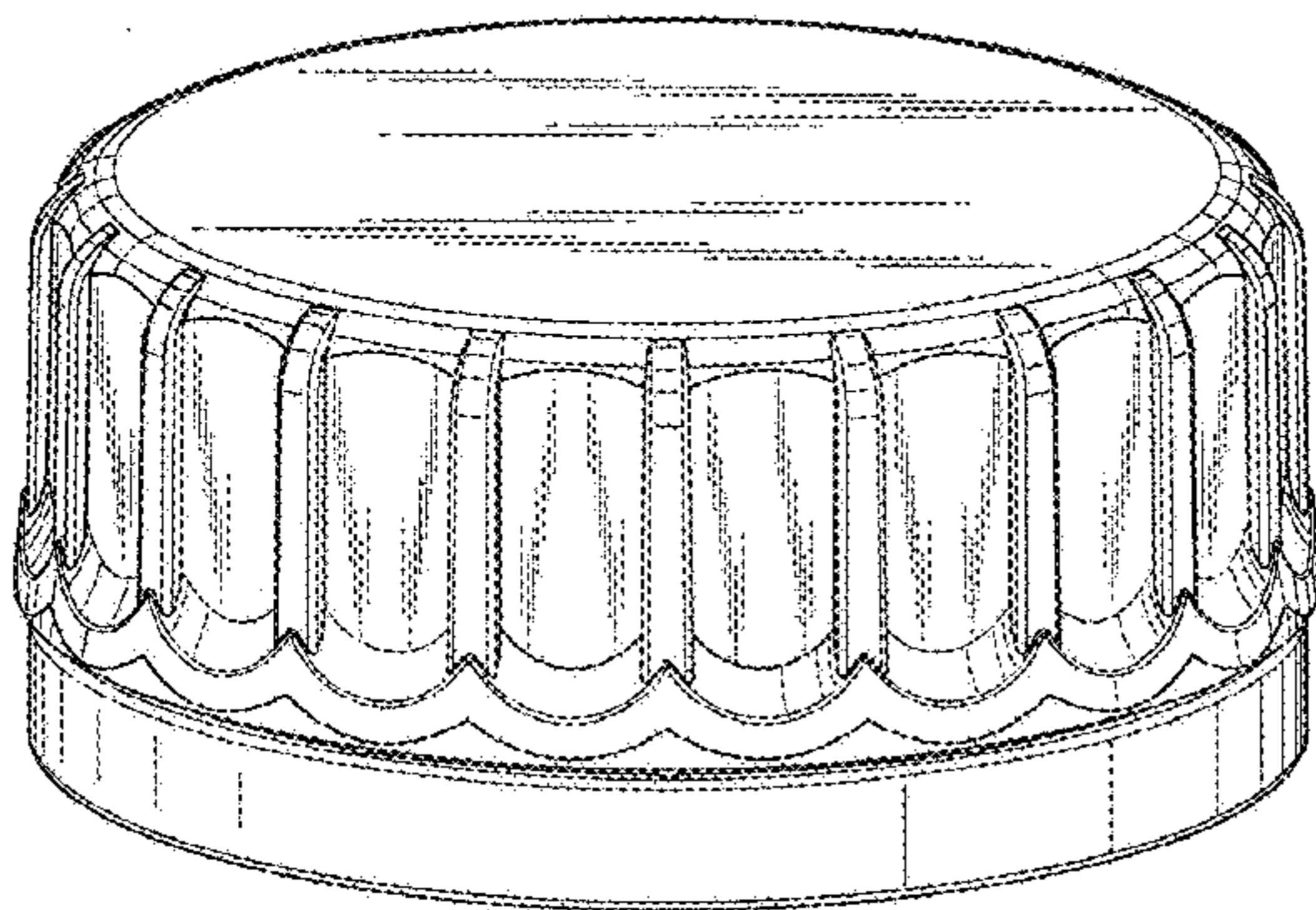
FIG. 6 is a front elevation thereof, the rear elevation and left
and right side views being identical therewith.

FIG. 7 is a top front perspective view of a cap in accordance
with a fourth embodiment of this invention; and,

FIG. 8 is a front elevation thereof, the rear elevation and left
and right side views being identical therewith.

The broken lines are included for the purpose of illustrating
structural environment and form no part of the claimed
design.

1 Claim, 4 Drawing Sheets



US D757,545 S

Page 2

(56)

References Cited

U.S. PATENT DOCUMENTS

D613,162 S * 4/2010 Druitt D9/453
D638,707 S * 5/2011 Stoffers et al. D9/453

D673,852 S * 1/2013 Wood et al. D9/453
D692,757 S * 11/2013 Concin et al. D9/453
D693,683 S * 11/2013 Ramsey et al. D9/453

* cited by examiner

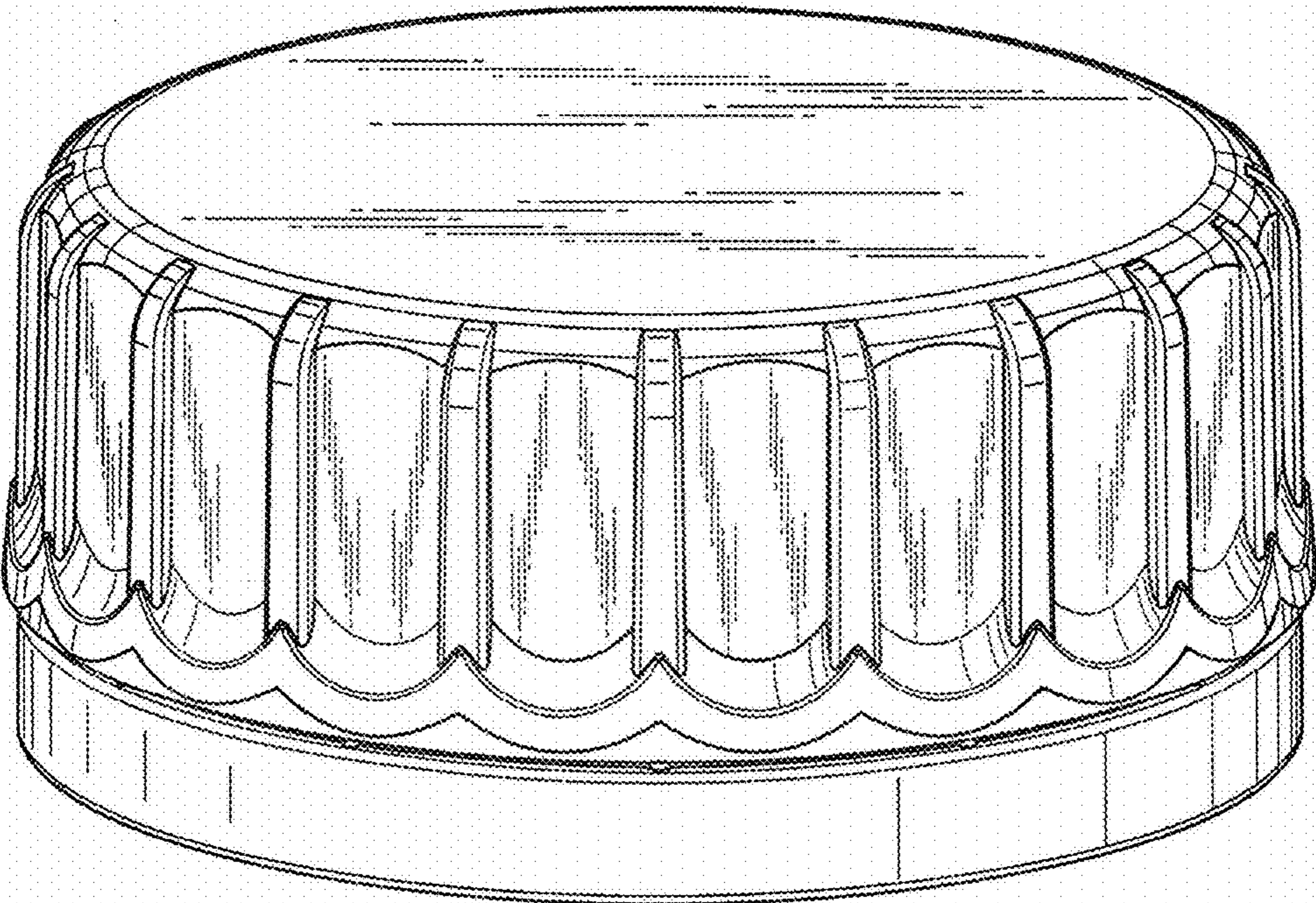


FIG. 1

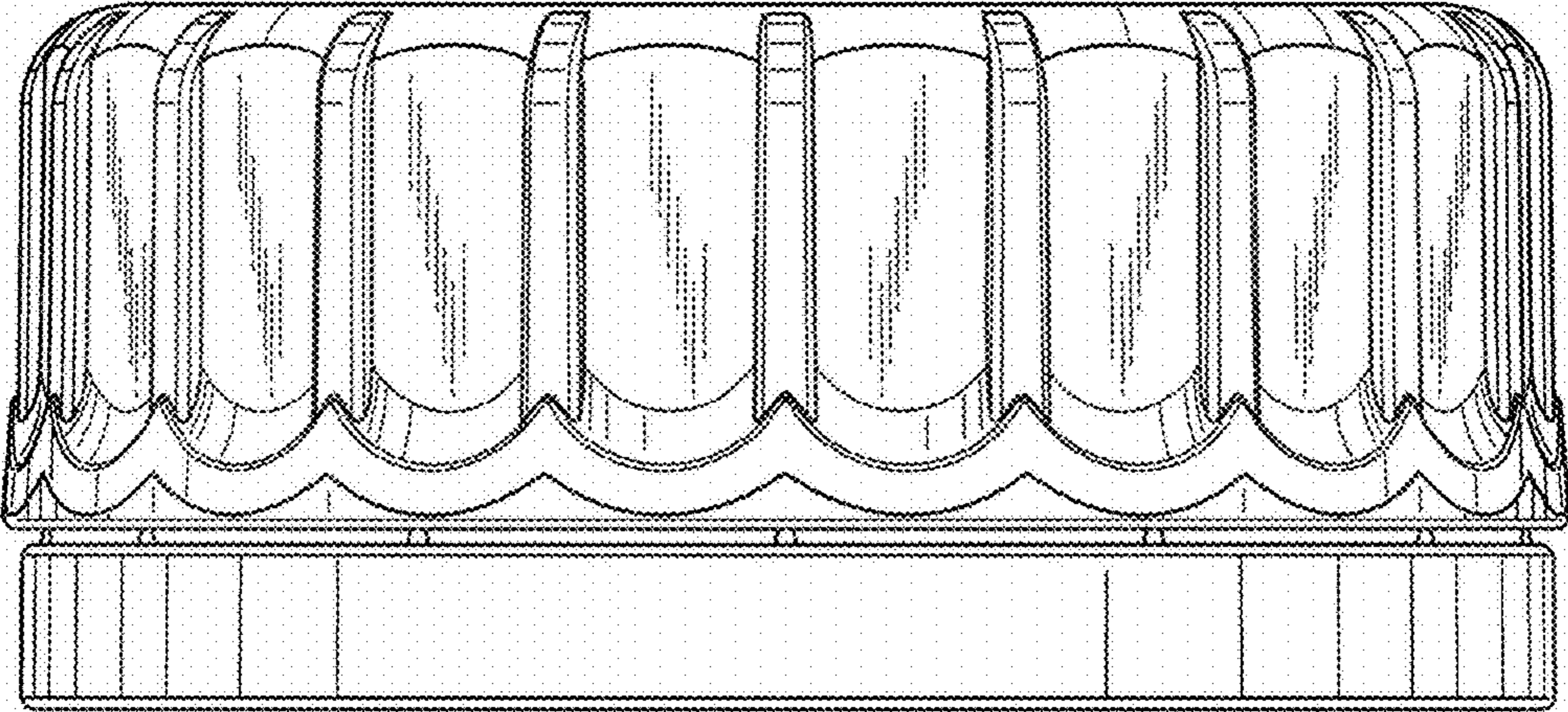


FIG. 2

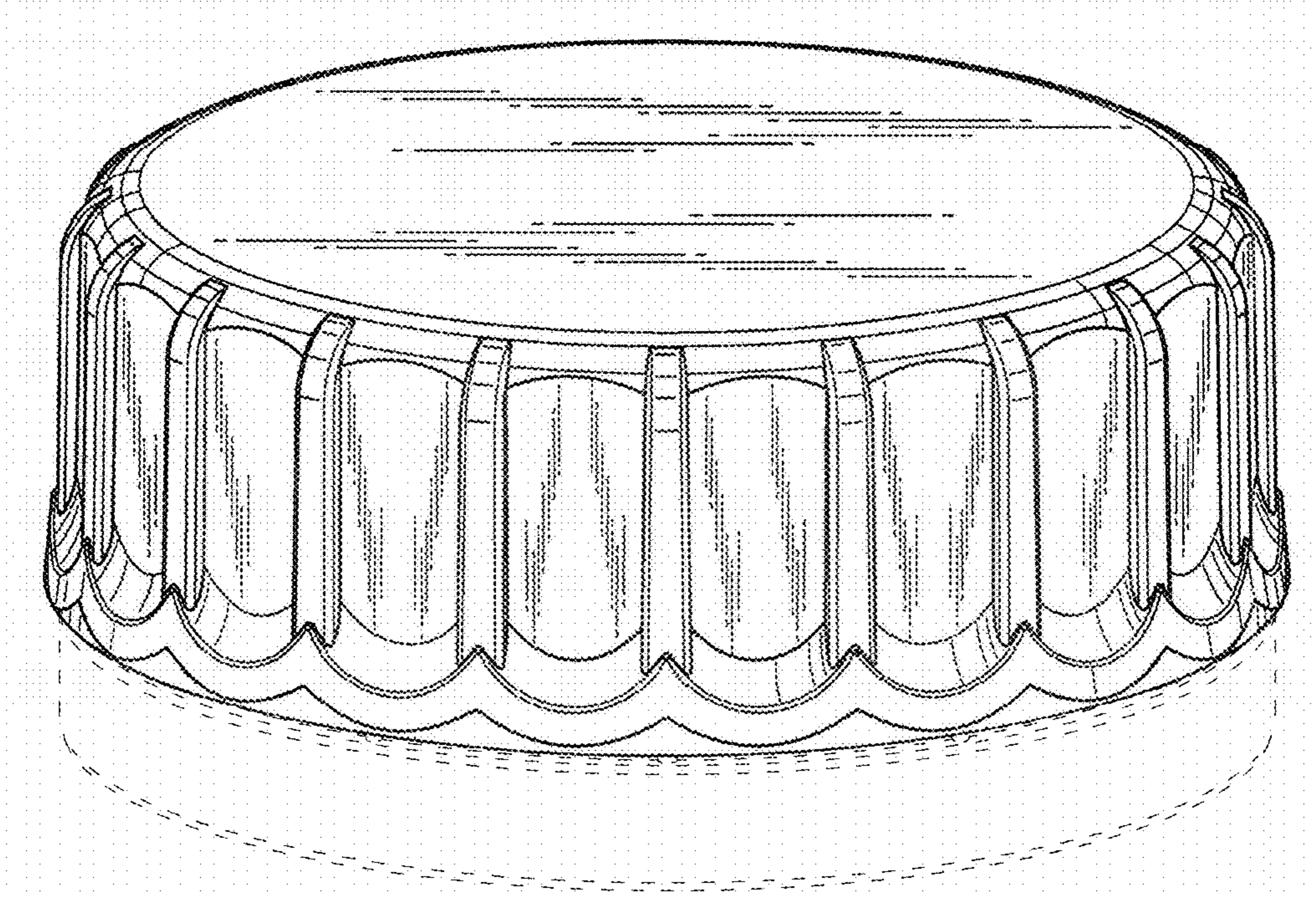


FIG. 3

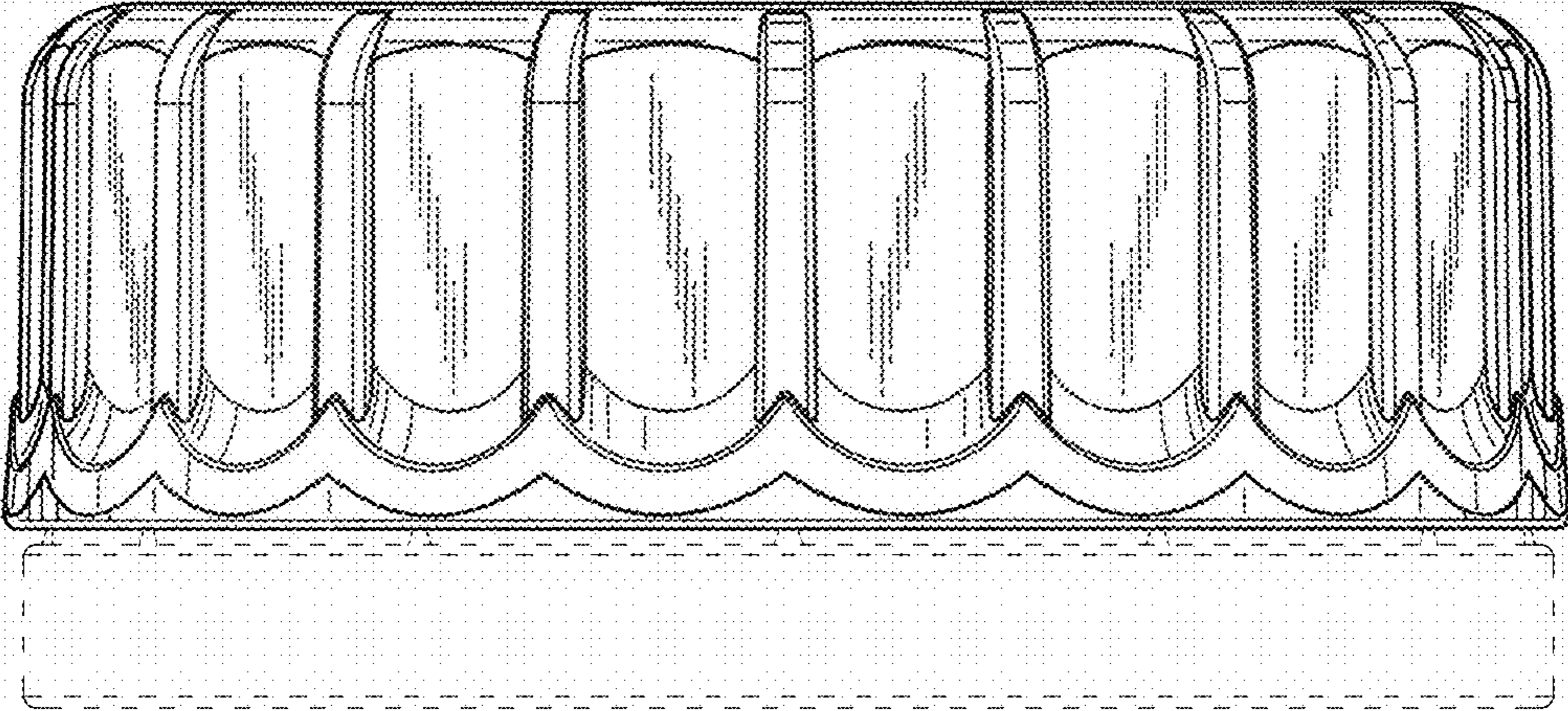


FIG. 4

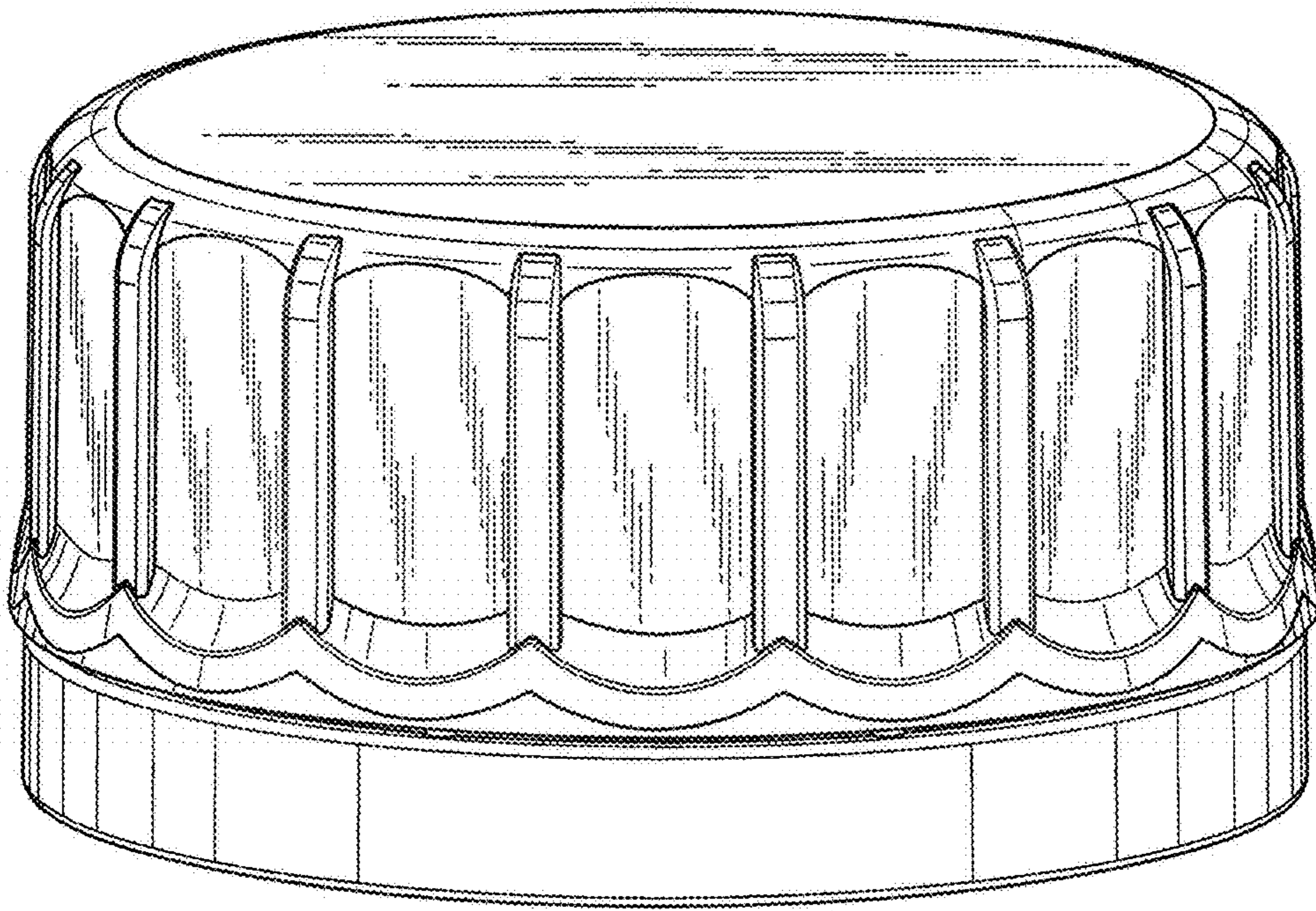


FIG. 5

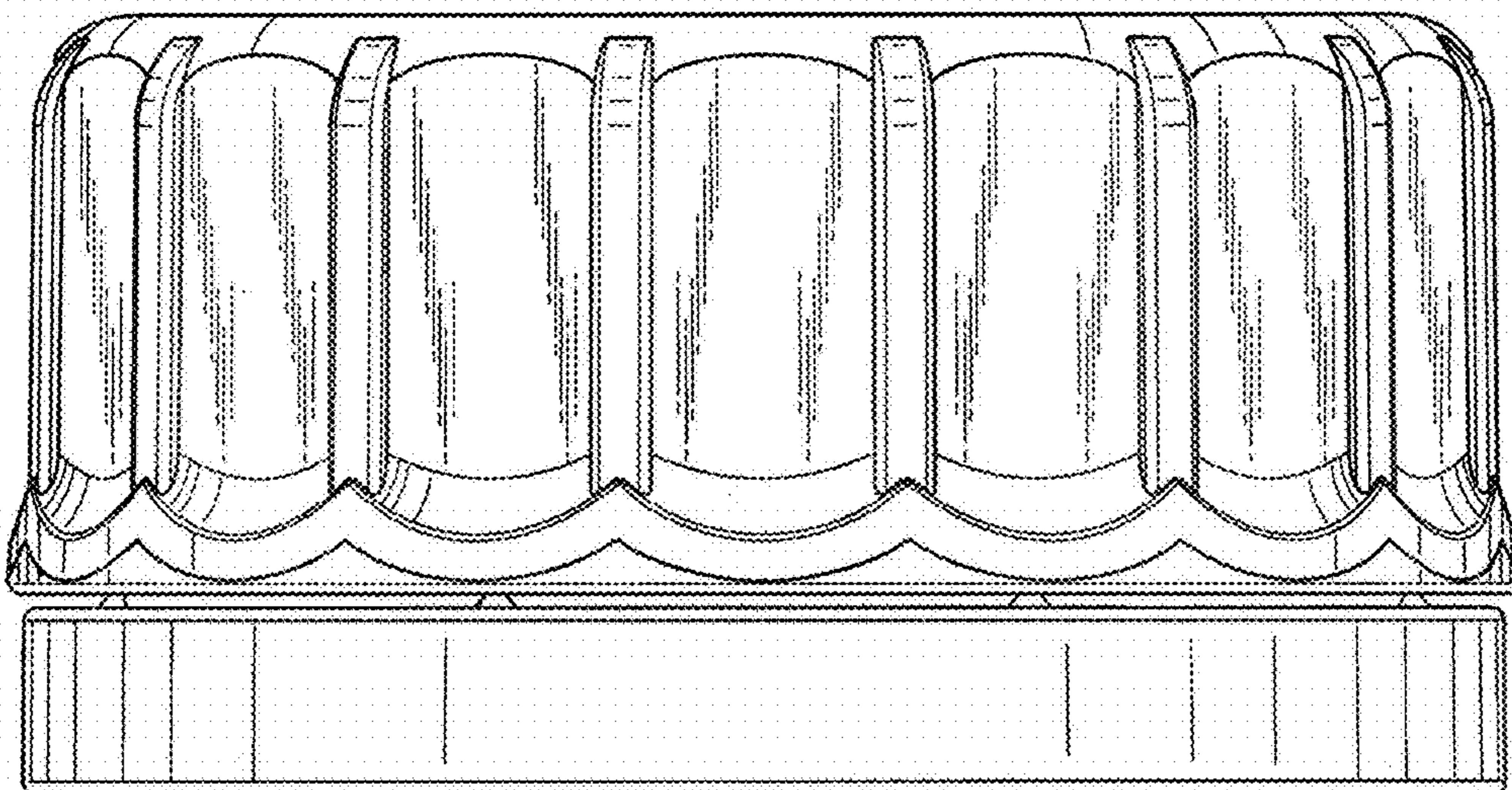


FIG. 6

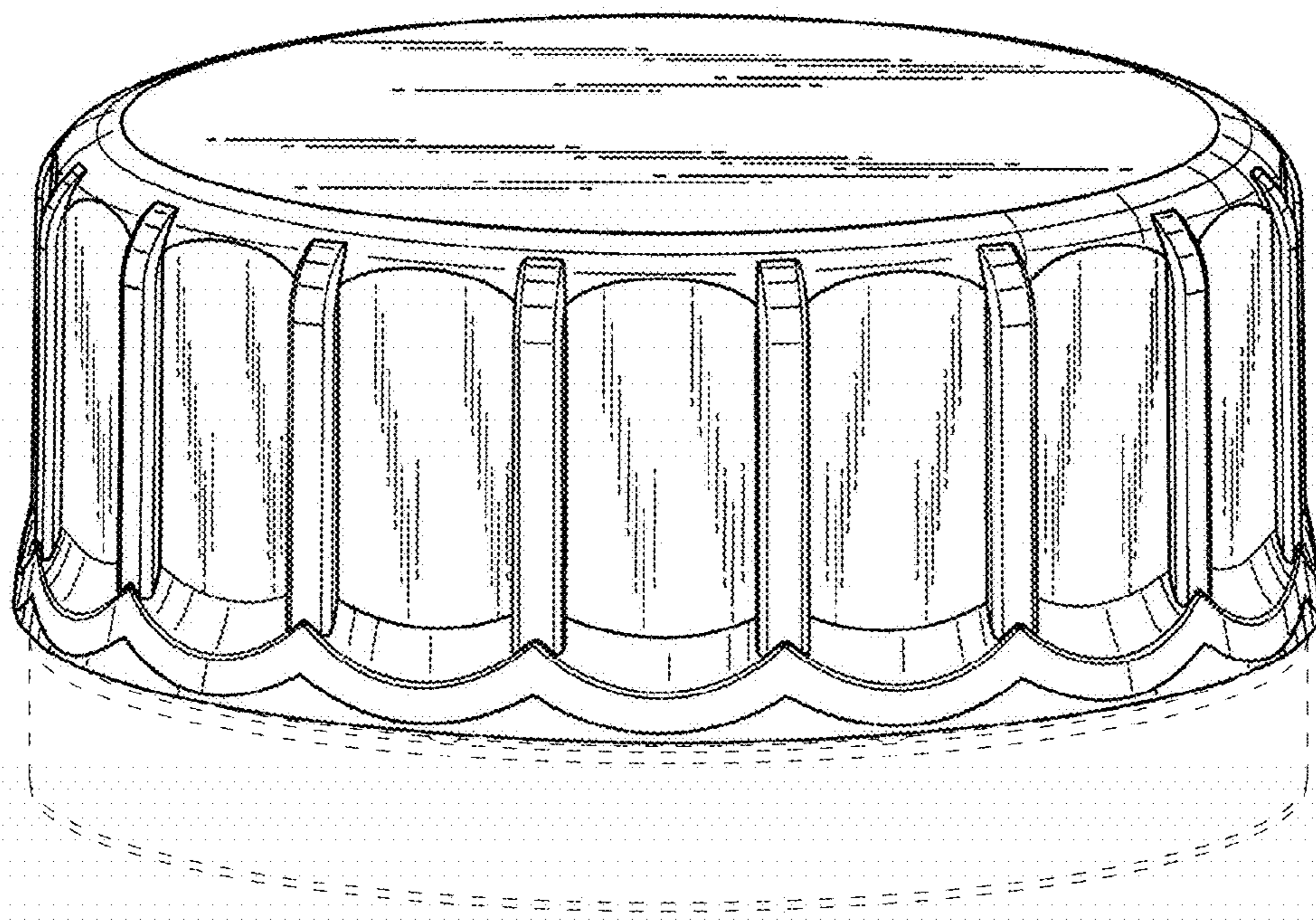


FIG. 7

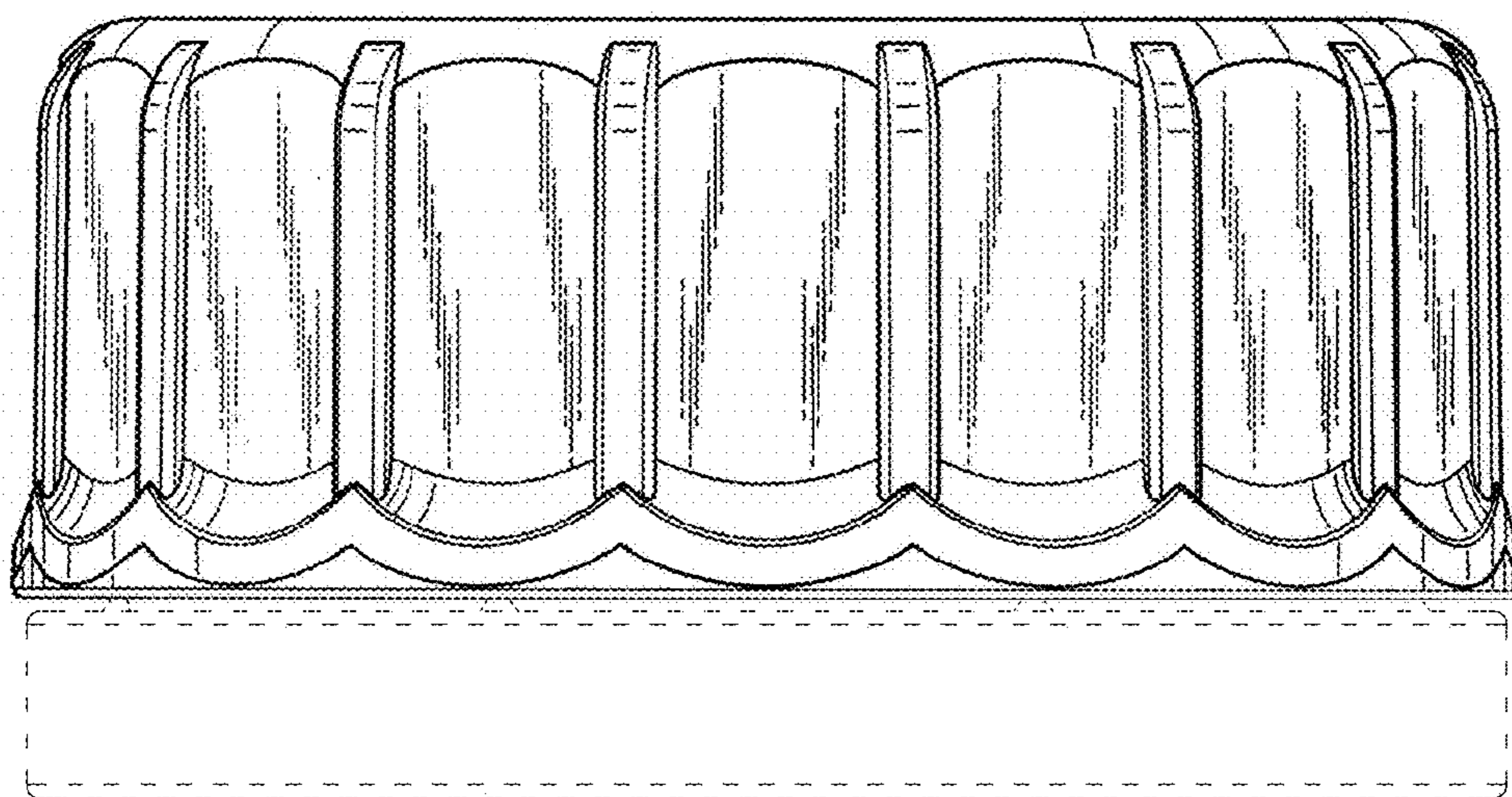


FIG. 8