



US00D757544S

(12) **United States Design Patent**
Barenhoff et al.

(10) **Patent No.:** **US D757,544 S**

(45) **Date of Patent:** **** May 31, 2016**

(54) **SPRAY CAP FOR AEROSOL CONTAINERS**

(71) Applicant: **Aptar Dortmund GmbH**, Dortmund (DE)

(72) Inventors: **Swen Barenhoff**, Bonen (DE); **Nils Daniel Deringer**, Eging am See (DE)

(73) Assignee: **APTAR DORTMUND GMBH**, Dortmund (DE)

(**) Term: **14 Years**

(21) Appl. No.: **29/497,940**

(22) Filed: **Jul. 30, 2014**

(30) **Foreign Application Priority Data**

Feb. 3, 2014 (EM) 002 396 911-0001

(51) **LOC (10) Cl.** **09-01**

(52) **U.S. Cl.**
USPC **D9/448**; D9/434; D9/435; D9/447;
D9/454

(58) **Field of Classification Search**
USPC D7/397, 398; D9/435, 439, 447, 448,
D9/449, 682, 685, 686, 688, 689, 730,
D9/739; D23/213, 226, 229; D24/182,
D24/194, 197, 199; 40/307; 222/207, 321.1,
222/321.7, 321.9, 383.1, 383.2, 383.3, 566,
222/631, 635; 239/331, 333; 220/258.5,
220/268, 269, 915
CPC B65D 39/00; B65D 39/0047; B65D 25/00;
B65D 25/40; B65D 25/42; B65D 25/46;
B65D 25/48; B65D 25/77; B65D 41/00;
B65D 43/02; B65D 51/02; B65D 51/04;
B65D 23/08; A45D 40/081; A45D 40/0093;
A45D 40/22; A62C 31/02
See application file for complete search history.

(56) **References Cited**

U.S. PATENT DOCUMENTS

4,034,901 A * 7/1977 Kirk B44D 3/127
222/481.5

D468,205 S * 1/2003 Pierce D9/440
D484,801 S * 1/2004 Pierce D9/440
D547,181 S * 7/2007 Miller D9/435
D634,210 S * 3/2011 Kaplan D9/682
D641,625 S * 7/2011 Kaplan D9/447
D652,251 S * 1/2012 Goralski D7/213
D681,456 S * 5/2013 Agarwal D7/392
D701,764 S * 4/2014 Brower D9/440
D712,741 S * 9/2014 Vukelic D9/435
D719,826 S * 12/2014 Burnside D9/447
2015/0034114 A1 * 2/2015 Miles A45D 34/04
132/200
2015/0076011 A1 * 3/2015 Pernikoff B32B 15/08
206/205

FOREIGN PATENT DOCUMENTS

EM 000729306-0007 * 6/2007
EM 000729306-0009 * 6/2007

* cited by examiner

Primary Examiner — Thomas Johannes

Assistant Examiner — Catherine Posthauer

(74) *Attorney, Agent, or Firm* — Jason H. Vick; Sheridan Ross, PC

(57) **CLAIM**

The ornamental design for a spray cap for aerosol containers, as shown and described.

DESCRIPTION

FIG. 1 is an enlarged perspective view of the spray cap for aerosol containers showing the new design;
FIG. 2 is a front elevation view thereof;
FIG. 3 is a rear elevation view thereof;
FIG. 4 is a right elevation view thereof;
FIG. 5 is a left elevation view thereof;
FIG. 6 is a top plan view thereof; and,
FIG. 7 is a bottom plan view thereof.
The broken lines are shown for the purpose of illustrating parts of the article that form no part of the claimed design.

1 Claim, 7 Drawing Sheets

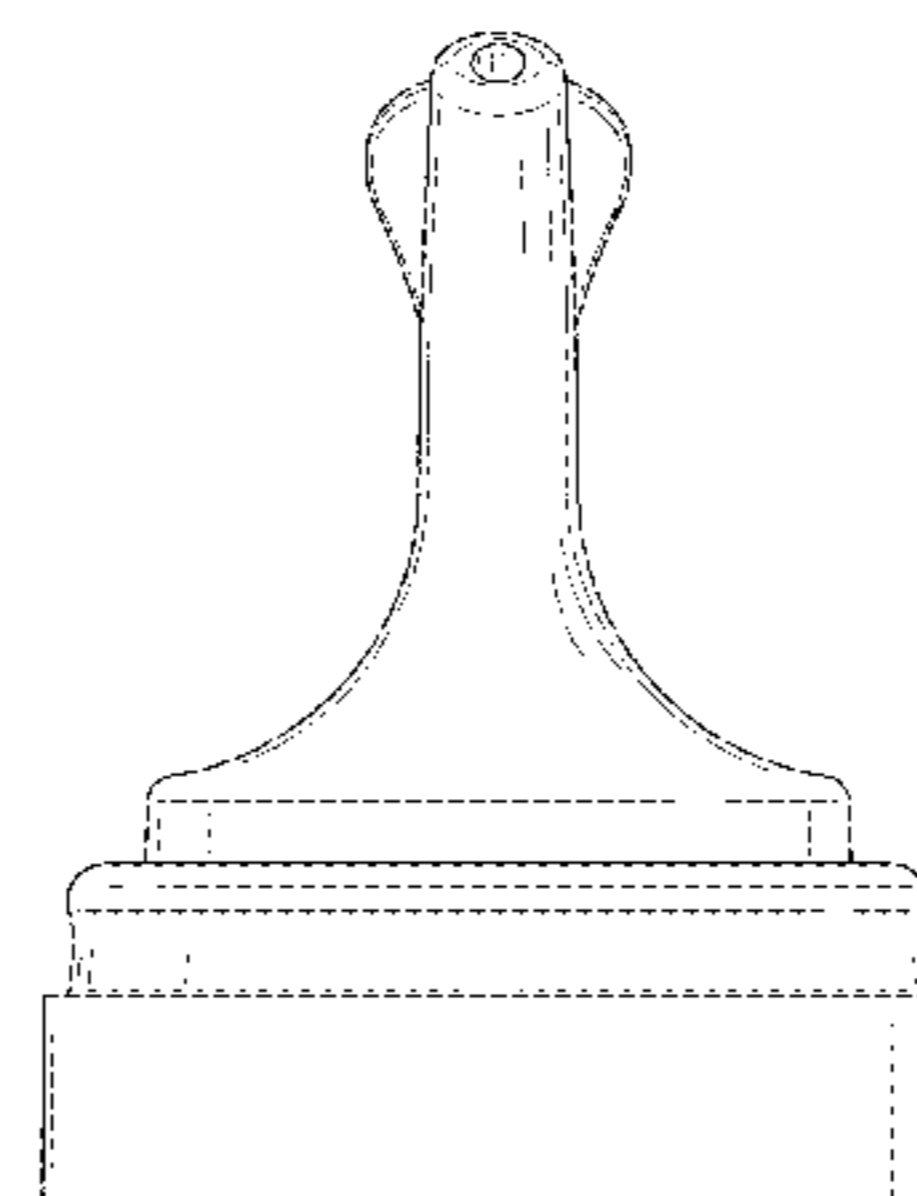
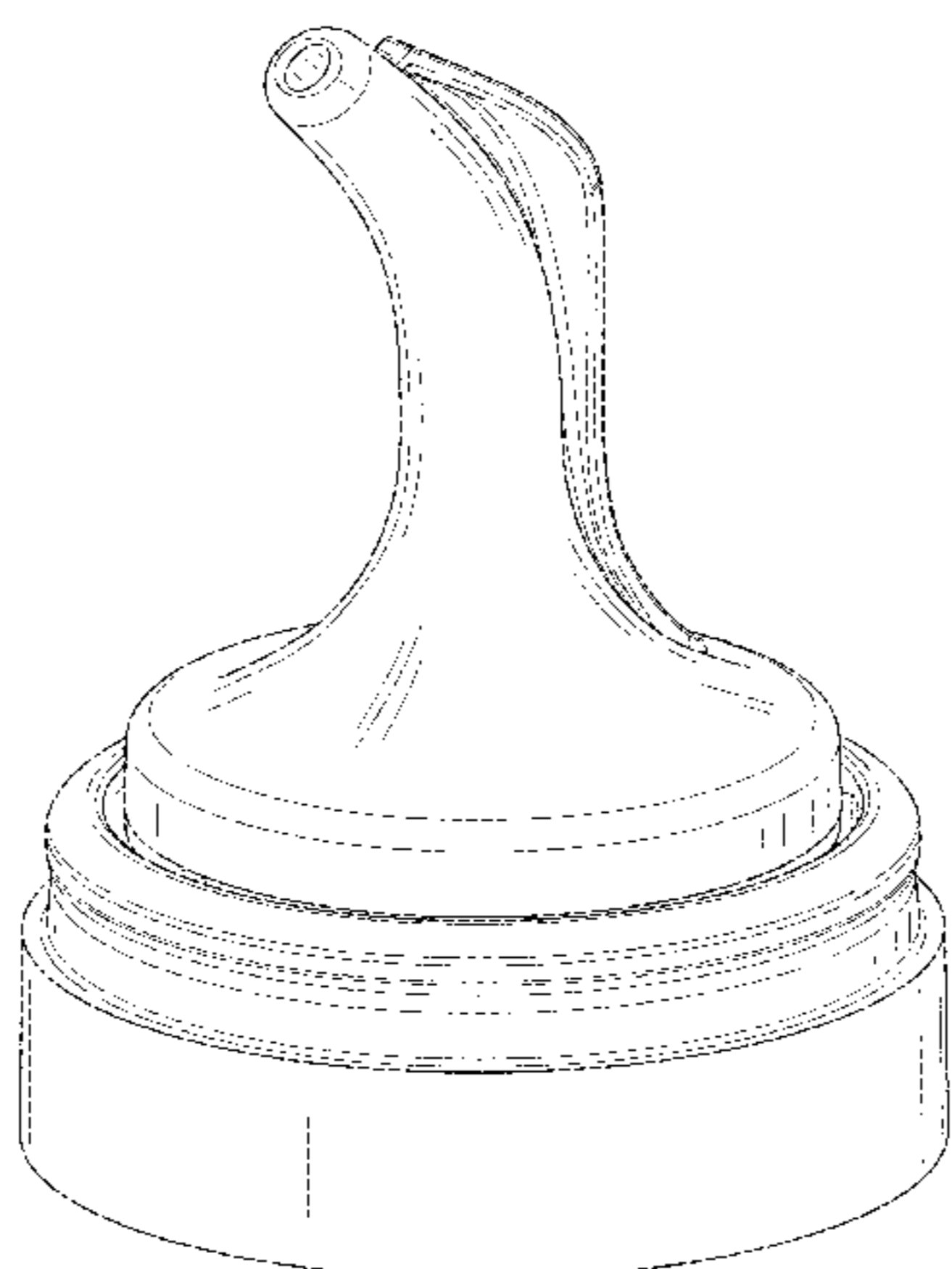




FIG.1

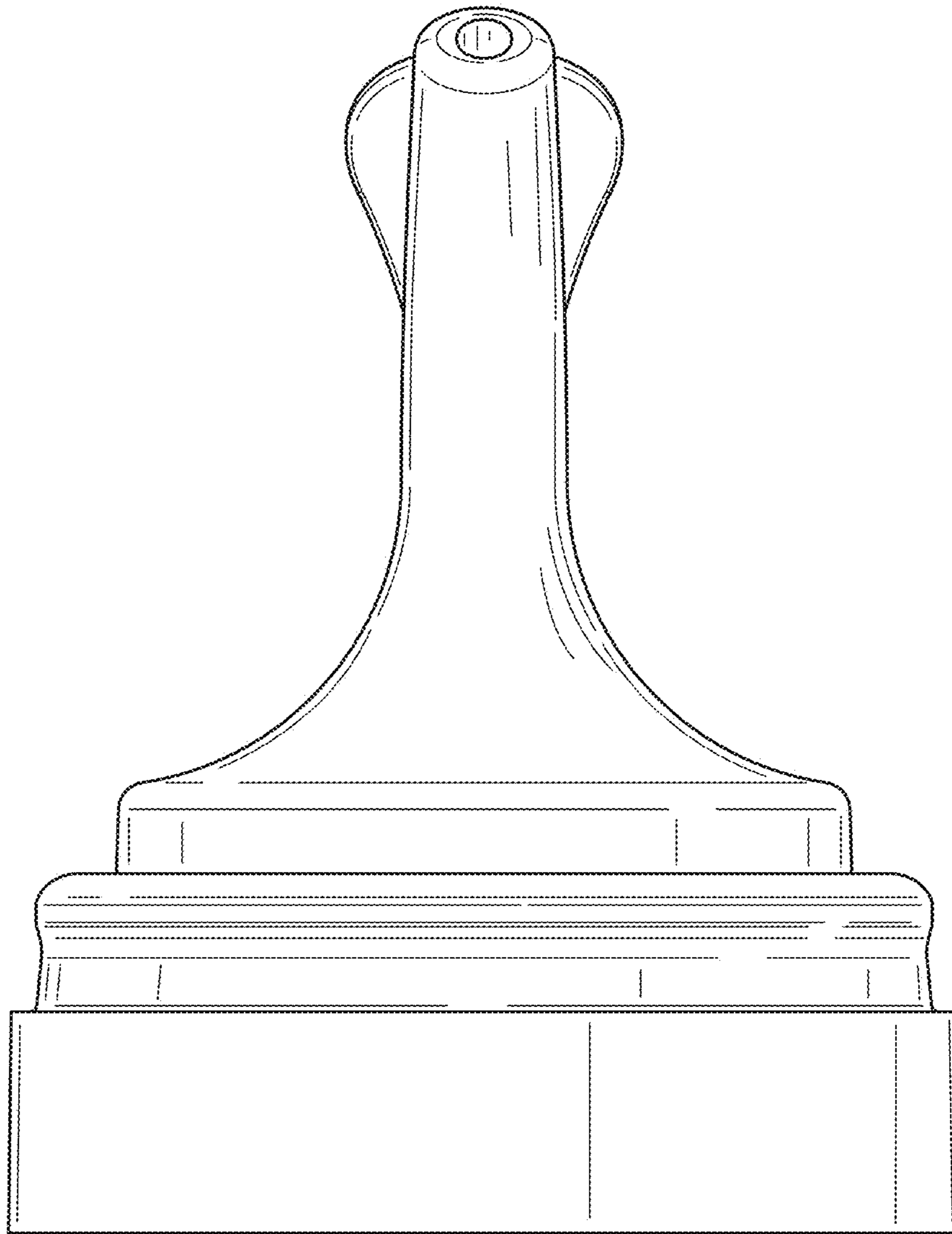


FIG.2

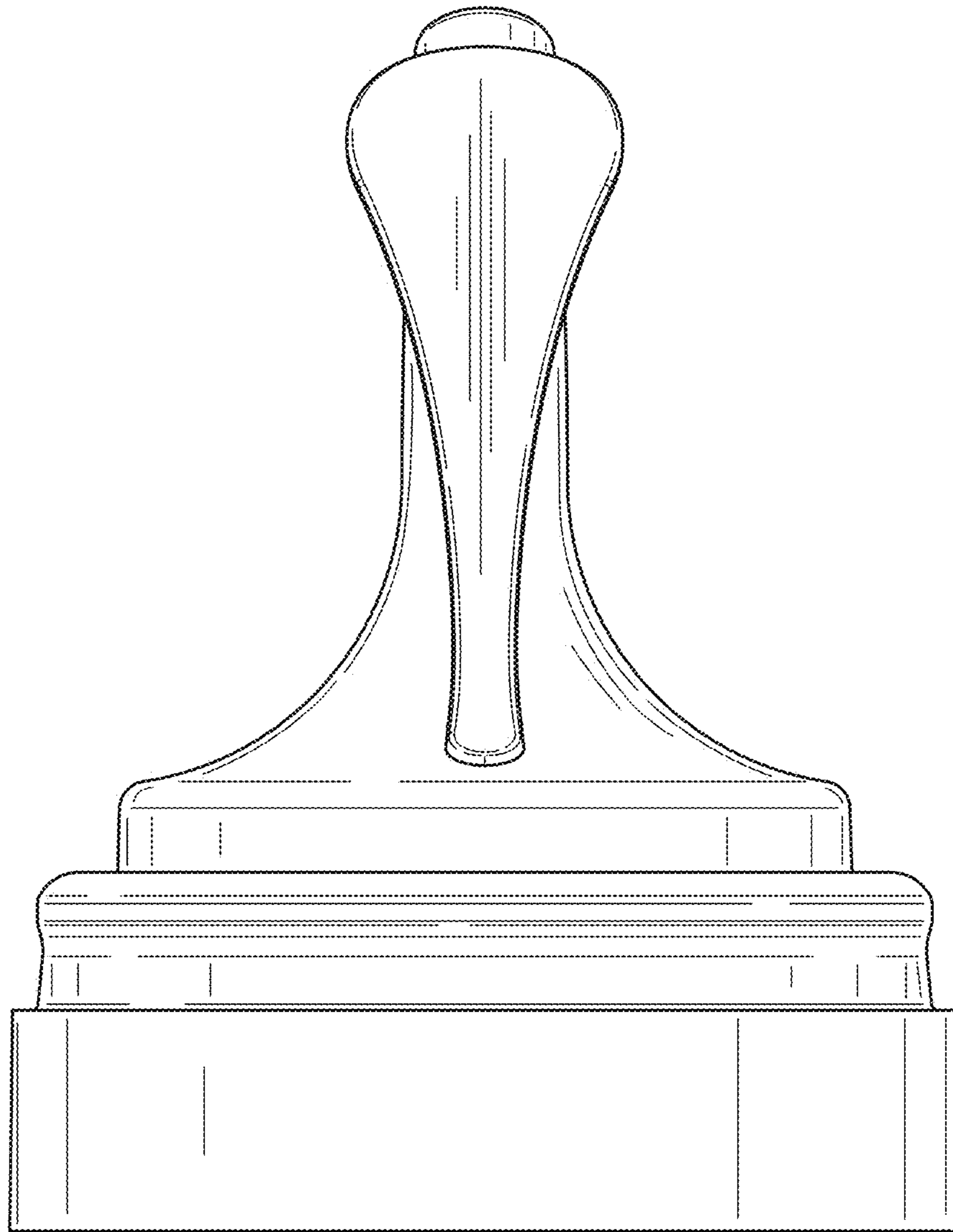


FIG.3

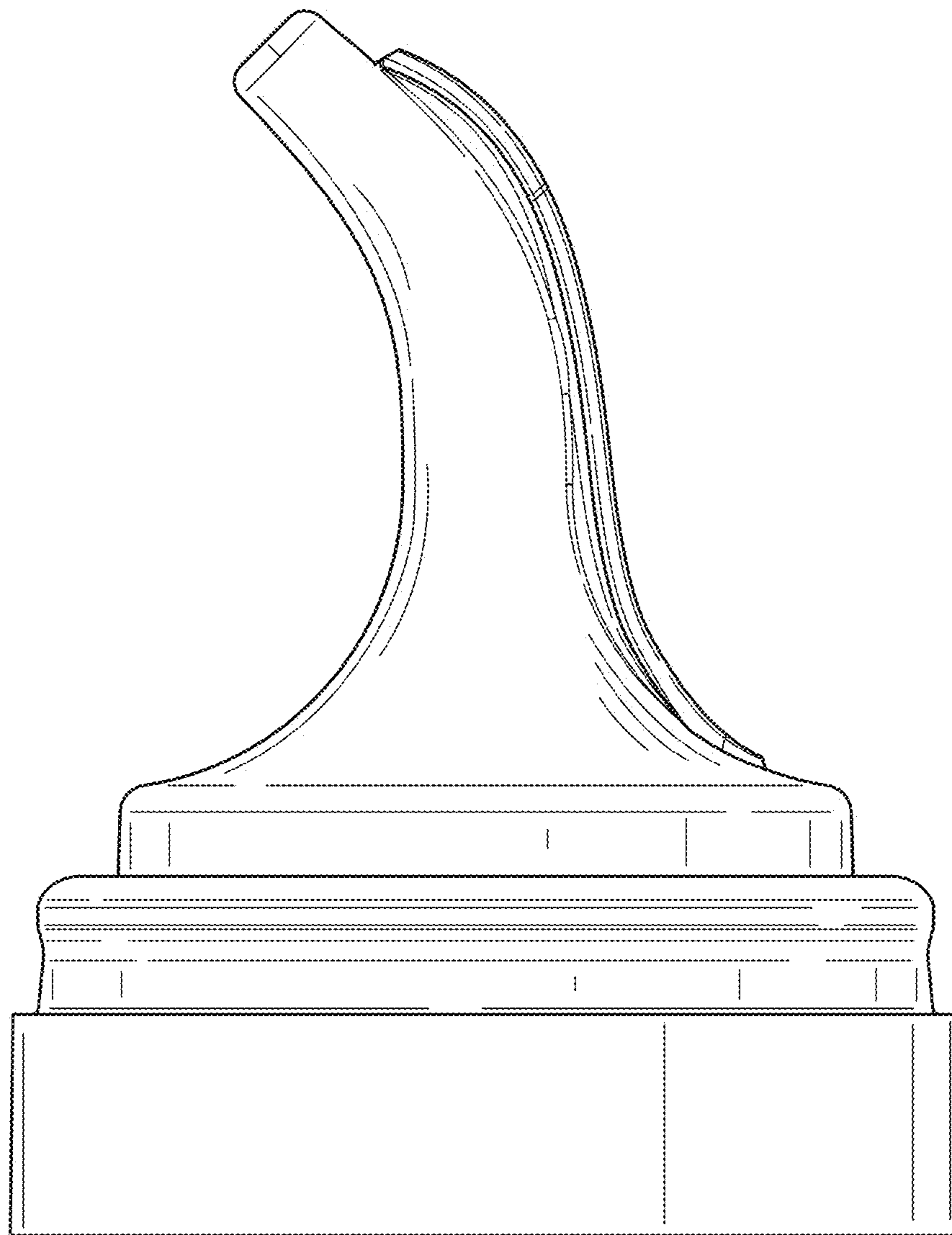


FIG.4

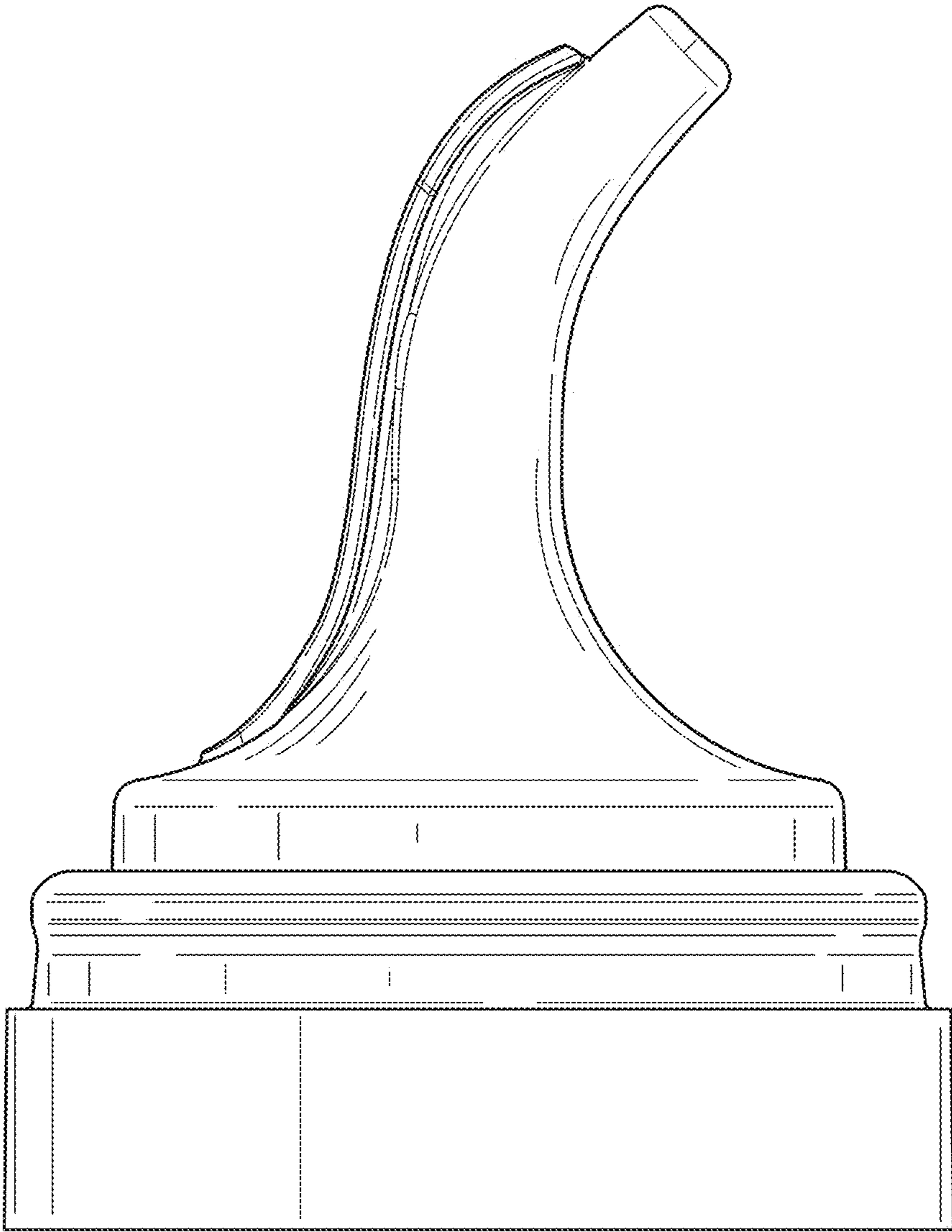


FIG.5

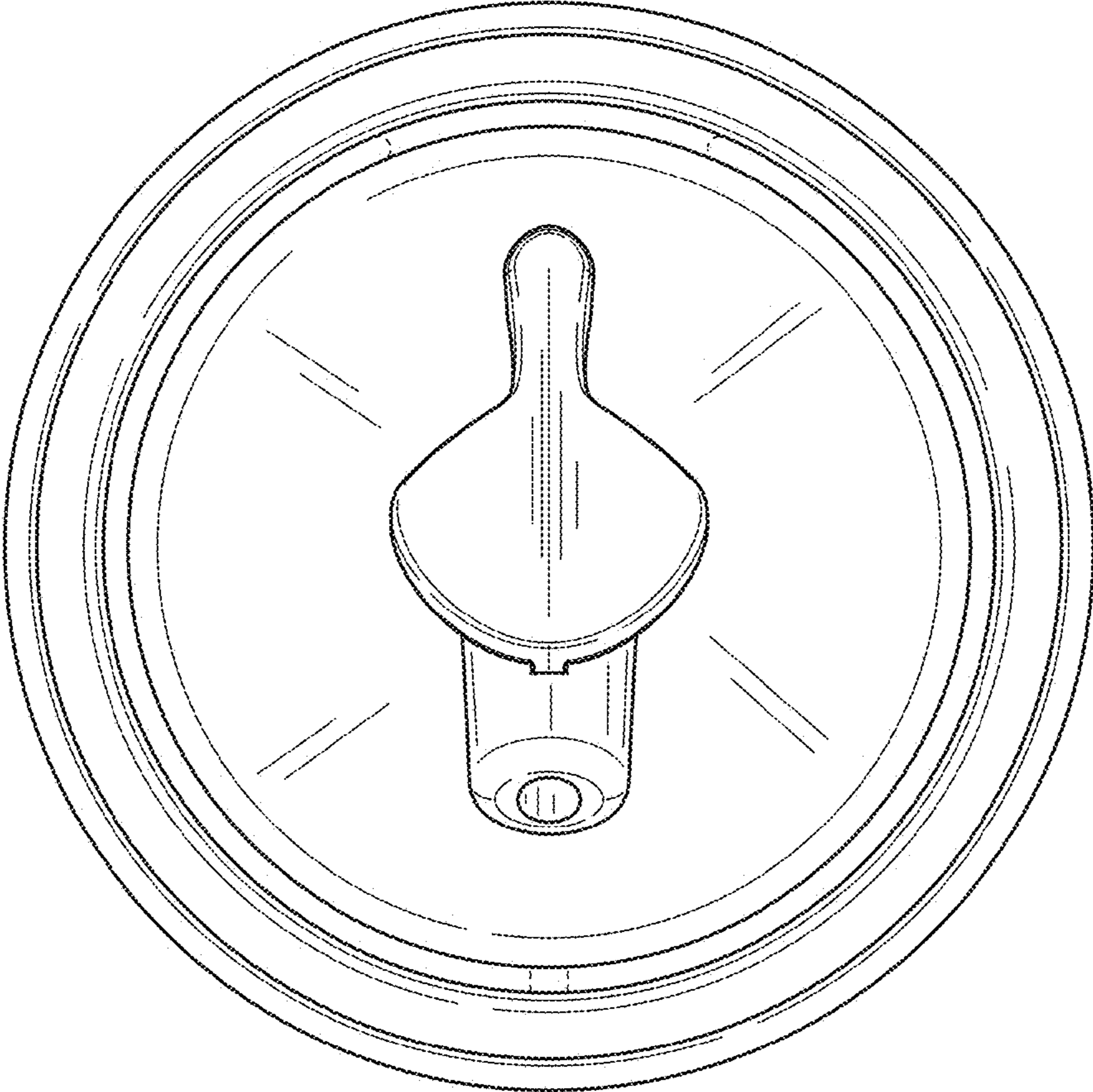


FIG.6

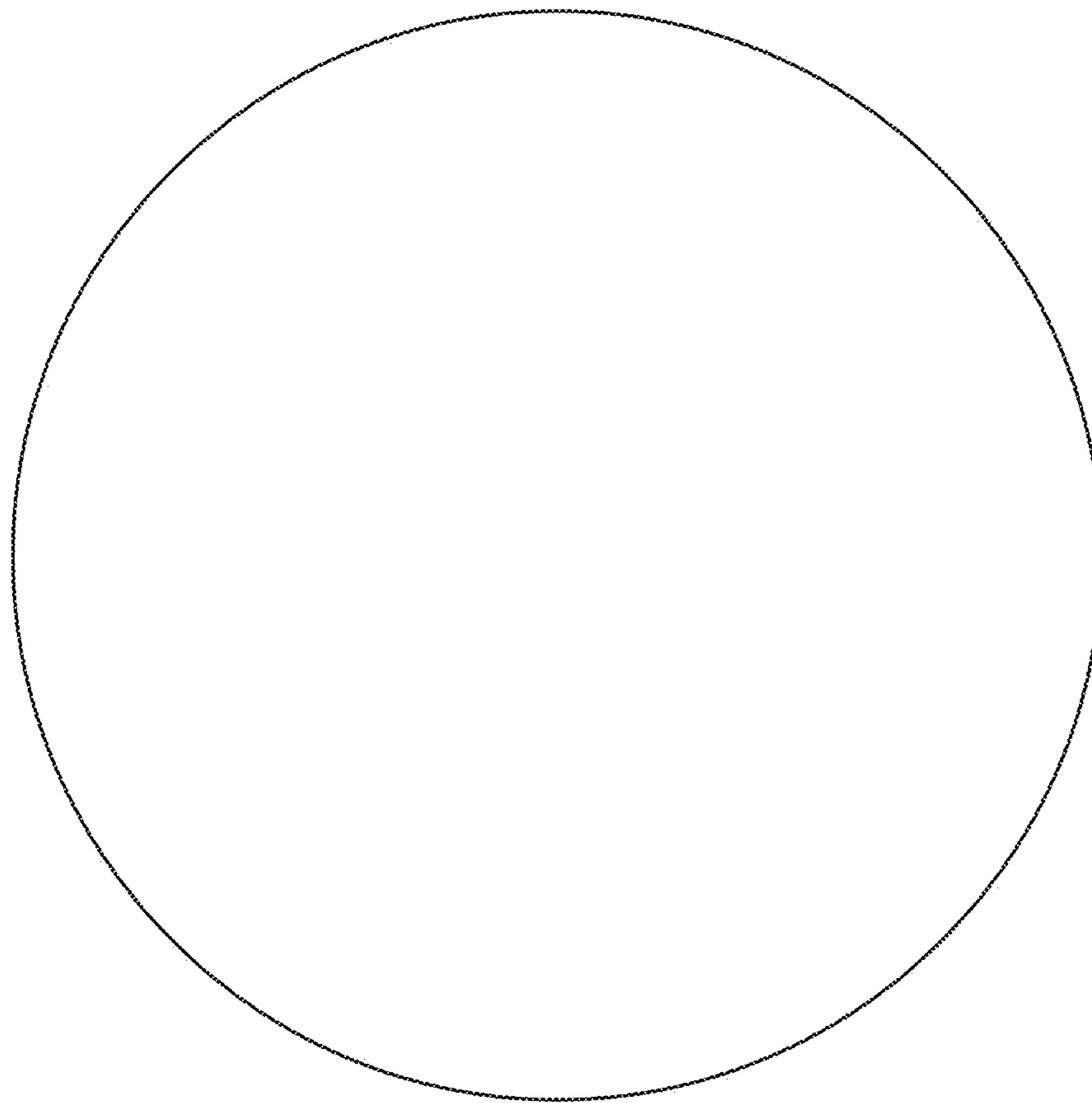


FIG. 7