



US00D757543S

(12) **United States Design Patent**
Sorensen et al.

(10) **Patent No.:** **US D757,543 S**
(45) **Date of Patent:** **** May 31, 2016**

- (54) **SPOUT FOR A CONTAINER**
- (71) Applicant: **RUNWAY BLUE, LLC**, Lehi, UT (US)
- (72) Inventors: **Steven M. Sorensen**, Alpine, UT (US);
Kim L. Sorensen, Alpine, UT (US);
David O. Meyers, East Layton, UT (US)
- (73) Assignee: **RUNWAY BLUE, LLC**, Lehi, UT (US)
- (**) Term: **14 Years**
- (21) Appl. No.: **29/514,162**
- (22) Filed: **Jan. 8, 2015**
- (51) **LOC (10) Cl.** **09-07**
- (52) **U.S. Cl.**
USPC **D9/447**; D7/397; D7/398; D9/434;
D9/435; D9/436; D9/454
- (58) **Field of Classification Search**
USPC D3/202, 203.1; D6/309, 524; D7/300,
D7/300.1; D8/350, 352; D9/434, 435, 447,
D9/454, 529, 686, 688, 690; D10/123,
D10/126, 128; D23/254; D26/36, 118, 123,
D26/124; D27/118; 215/320; 220/339, 345,
220/592.16, 592.17, 694, 711, 714, 715;
222/92, 107, 153.05, 213, 491
CPC B65D 41/00; B65D 47/00; B65D 51/02;
B65D 51/04; B65D 25/77; B65D 25/00;
B65D 23/08; B65D 39/00; B65D 43/00;
B65D 43/02; B65D 43/265; B65D 43/267;
A45D 33/00; A45D 3/18
See application file for complete search history.

(56) **References Cited**

U.S. PATENT DOCUMENTS

- 3,702,668 A * 11/1972 Landen B65D 50/06
222/182
- D250,511 S * 12/1978 Affleck D28/91.1
- D281,582 S * 12/1985 Borkan D9/437
- D321,468 S * 11/1991 Reid D23/249
- D363,429 S * 10/1995 Lee D9/454

- D370,550 S * 6/1996 Lecluze D26/118
- D447,410 S * 9/2001 Malmborg D9/434
- D453,472 S * 2/2002 Kwong D9/447
- D473,934 S * 4/2003 Singtoroj D23/254
- D551,550 S * 9/2007 Noonan D9/454
- D601,295 S * 9/2009 Brown D26/118
- D604,614 S * 11/2009 Janboecke D9/454

(Continued)

OTHER PUBLICATIONS

U.S. Appl. No. 29/514,158, filed Jan. 8, 2015, Sorensen, et al.
(Continued)

Primary Examiner — Thomas Johannes
Assistant Examiner — Catherine Posthauer
(74) *Attorney, Agent, or Firm* — Maschoff Brennan

(57) **CLAIM**
The ornamental design for a spout for a container, as shown and described.

DESCRIPTION

FIG. 1 is a top perspective view of a spout for a container shown in a usage environment, forming no part of the claimed design;

FIG. 2 is a top perspective view thereof, with portions of the usage environment removed to show details forming part of the claimed design;

FIG. 3 is an enlarged top perspective view thereof, with the usage environment removed to show details forming part of the claimed design;

FIG. 4 is a bottom perspective view thereof;

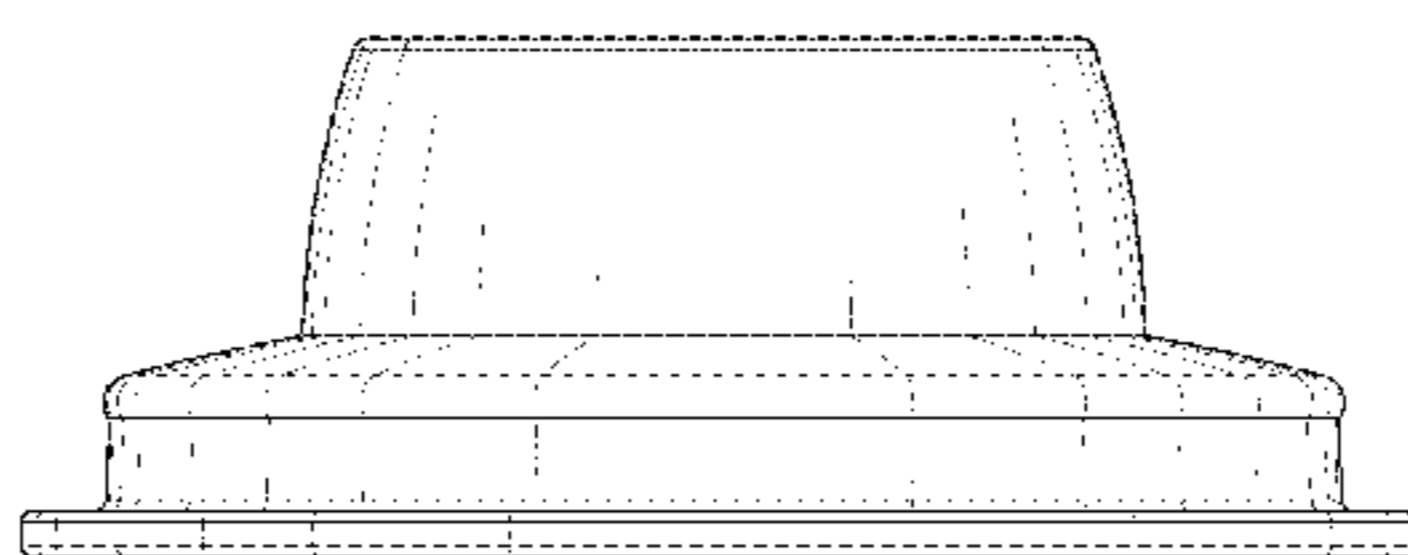
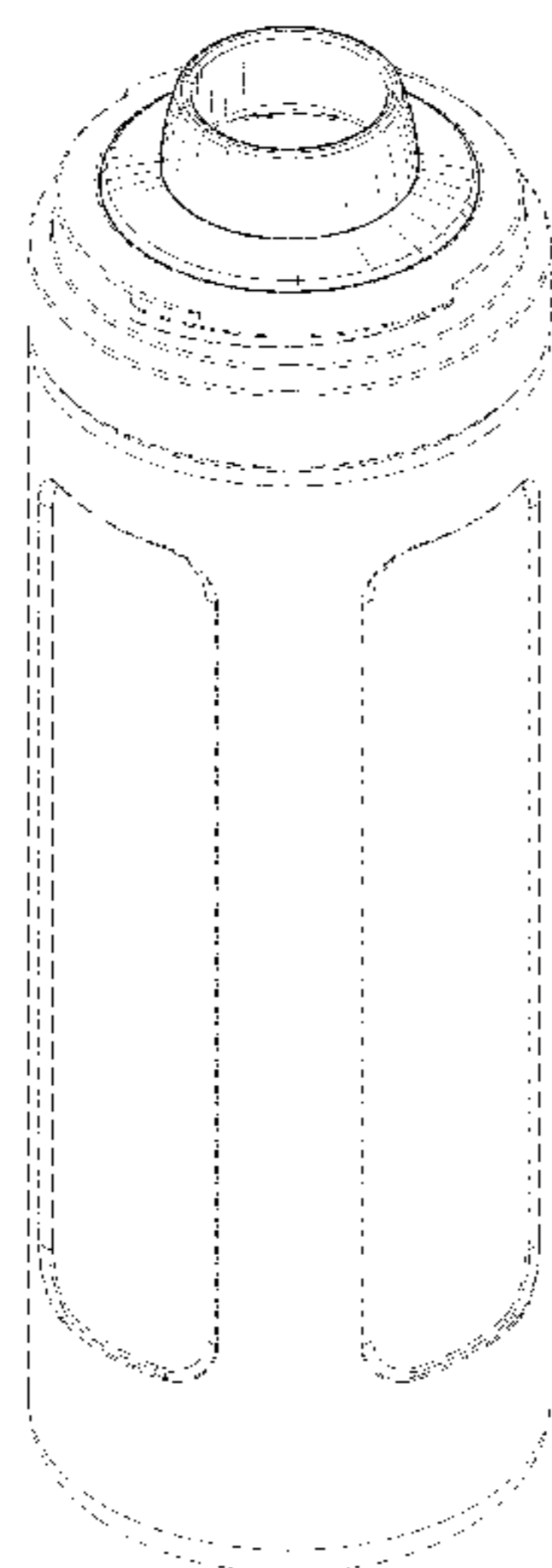
FIG. 5 is a front view thereof, with the rear, right, and the left side views being a mirror image thereof;

FIG. 6 is a top view thereof; and,

FIG. 7 is a bottom view thereof.

The broken lines are shown for the purpose of illustrating environmental structure and portions of the article that form no part of the claimed design.

1 Claim, 7 Drawing Sheets



(56)

References Cited

U.S. PATENT DOCUMENTS

D611,296 S * 3/2010 Ingman D7/392.1
D623,061 S * 9/2010 Wong D9/454
D633,387 S * 3/2011 Gatto D9/434
D648,424 S * 11/2011 Gilbert 137/359
D677,162 S * 3/2013 Sharma D7/392.1
D687,144 S * 7/2013 Gronberg D24/127
D692,758 S * 11/2013 Concin D9/454
D717,651 S * 11/2014 Marina D9/454
D730,734 S * 6/2015 Rapparini D9/454

2009/0308832 A1* 12/2009 Von
Spreckelsen B65D 47/0804
215/235
2010/0032438 A1* 2/2010 Bourque B05B 1/3006
220/694
2013/0213924 A1* 8/2013 Vrijens B65D 51/002
215/355

OTHER PUBLICATIONS

U.S. Appl. No. 29/514,160, filed Jan. 8, 2015, Sorensen, et al.
U.S. Appl. No. 29/514,161, filed Jan. 8, 2015, Sorensen, et al.

* cited by examiner

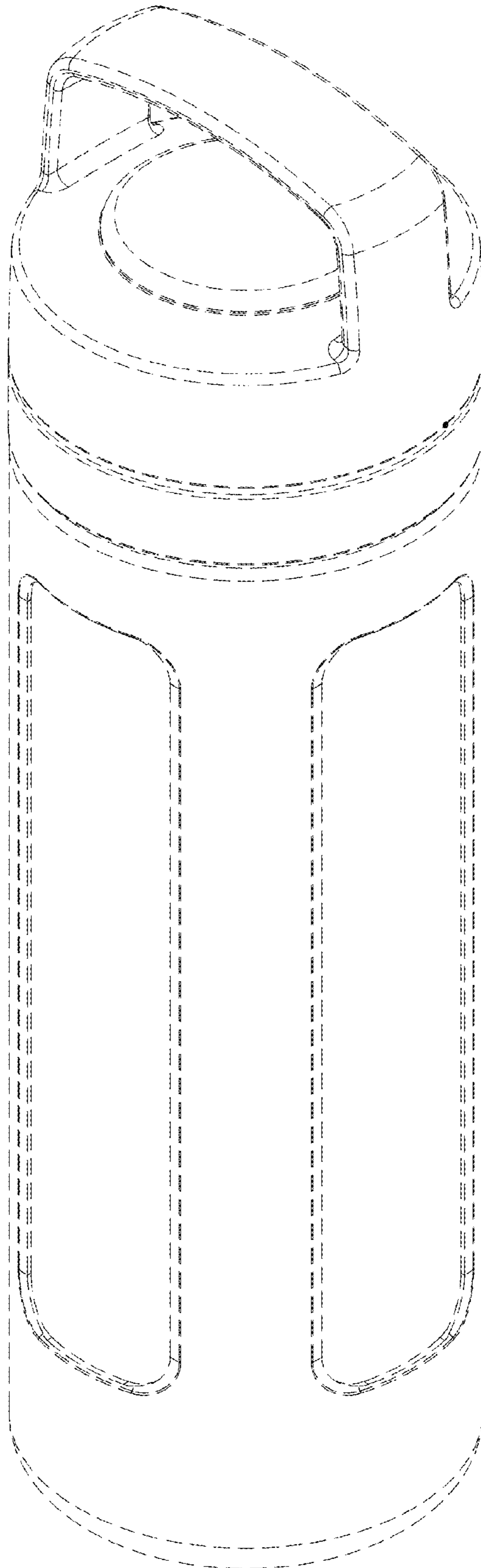


FIG. 1

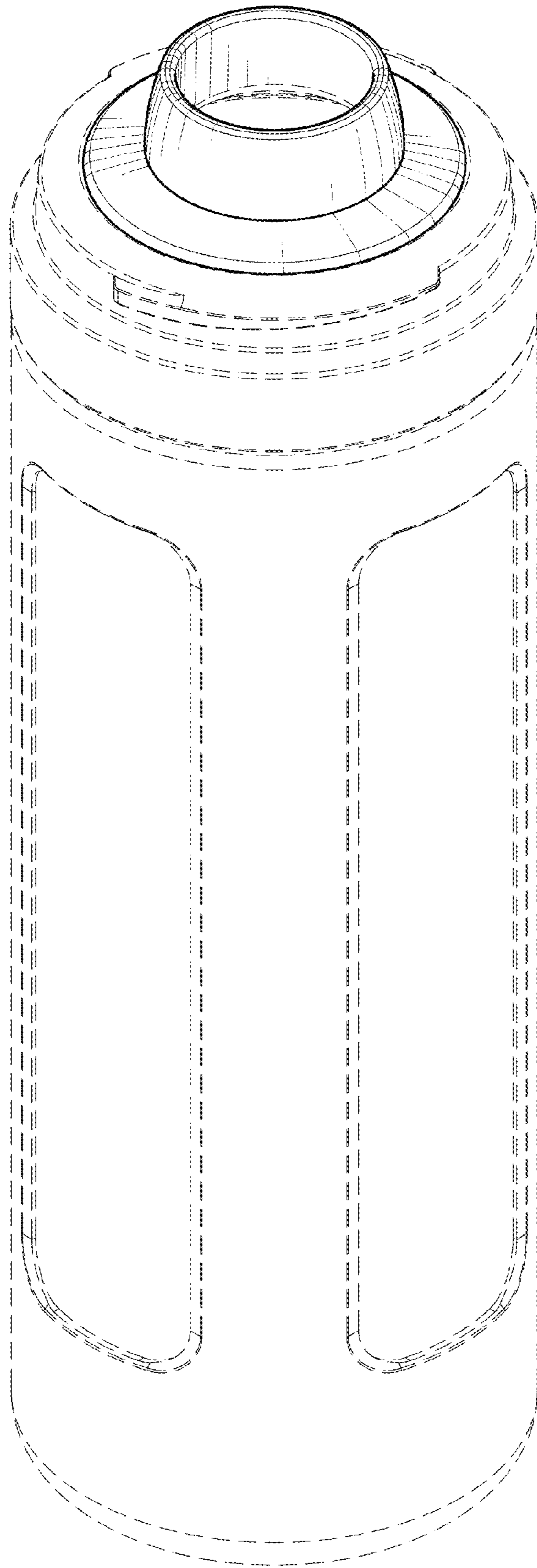


FIG. 2

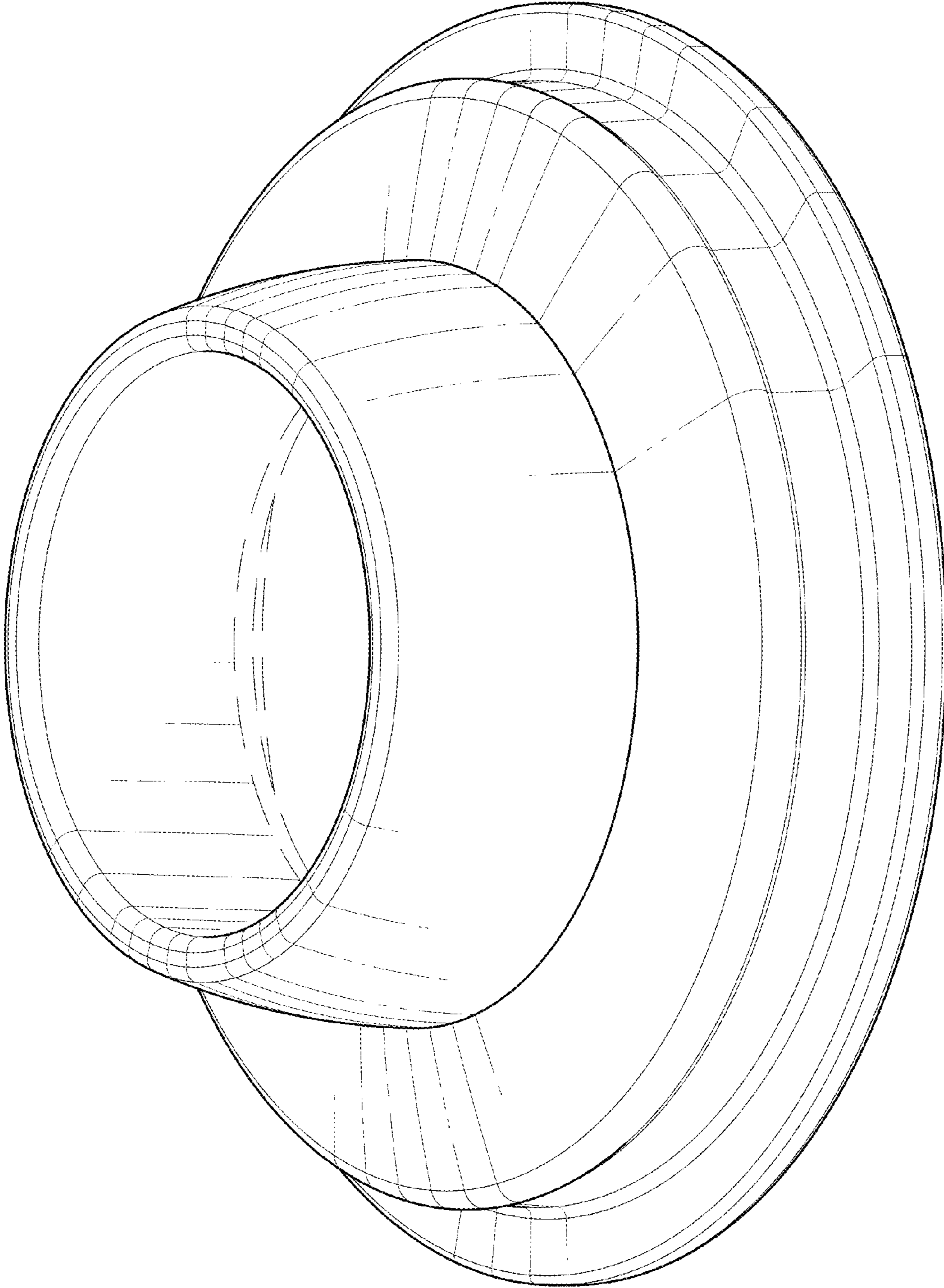


FIG. 3

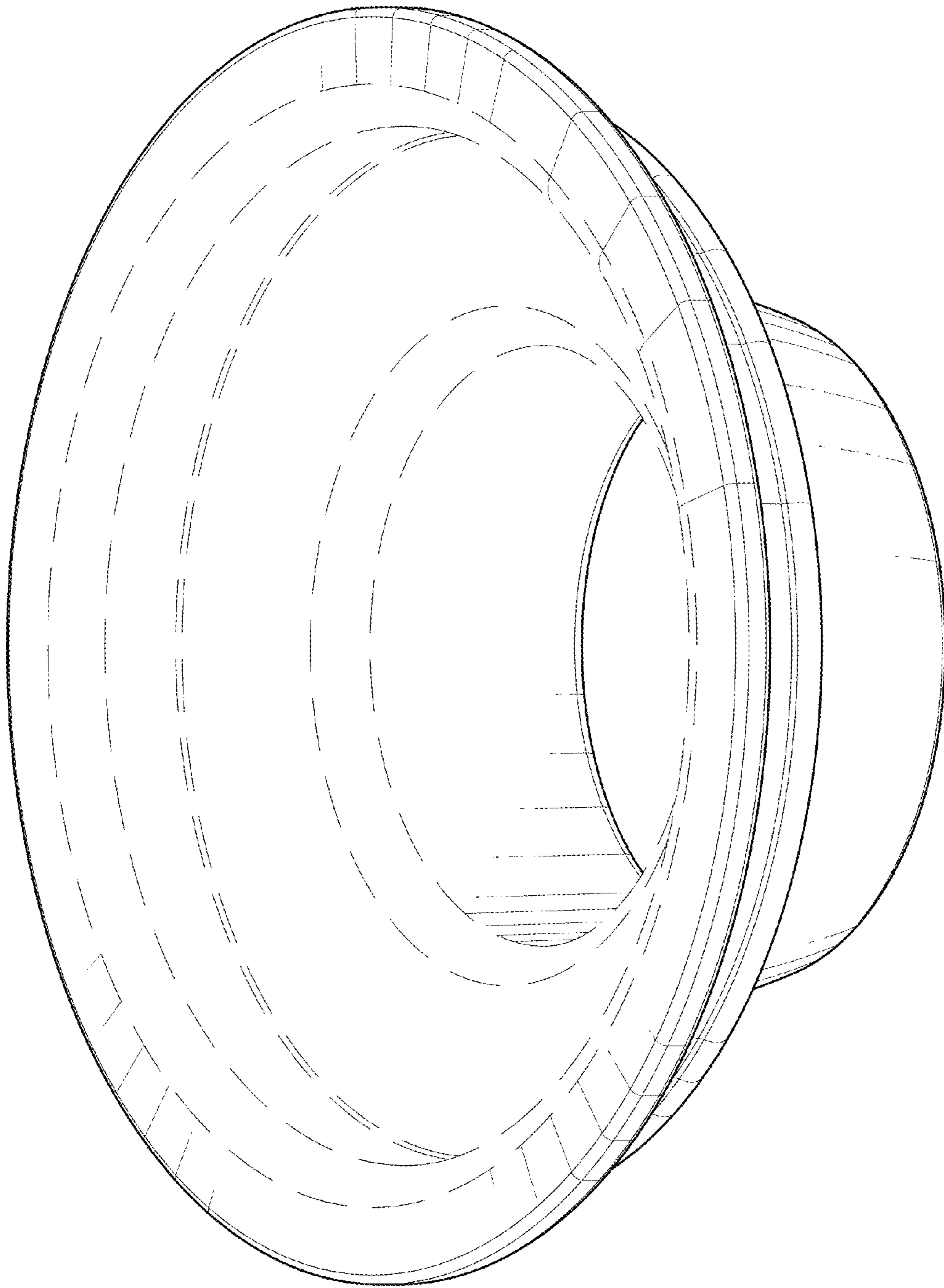


FIG. 4

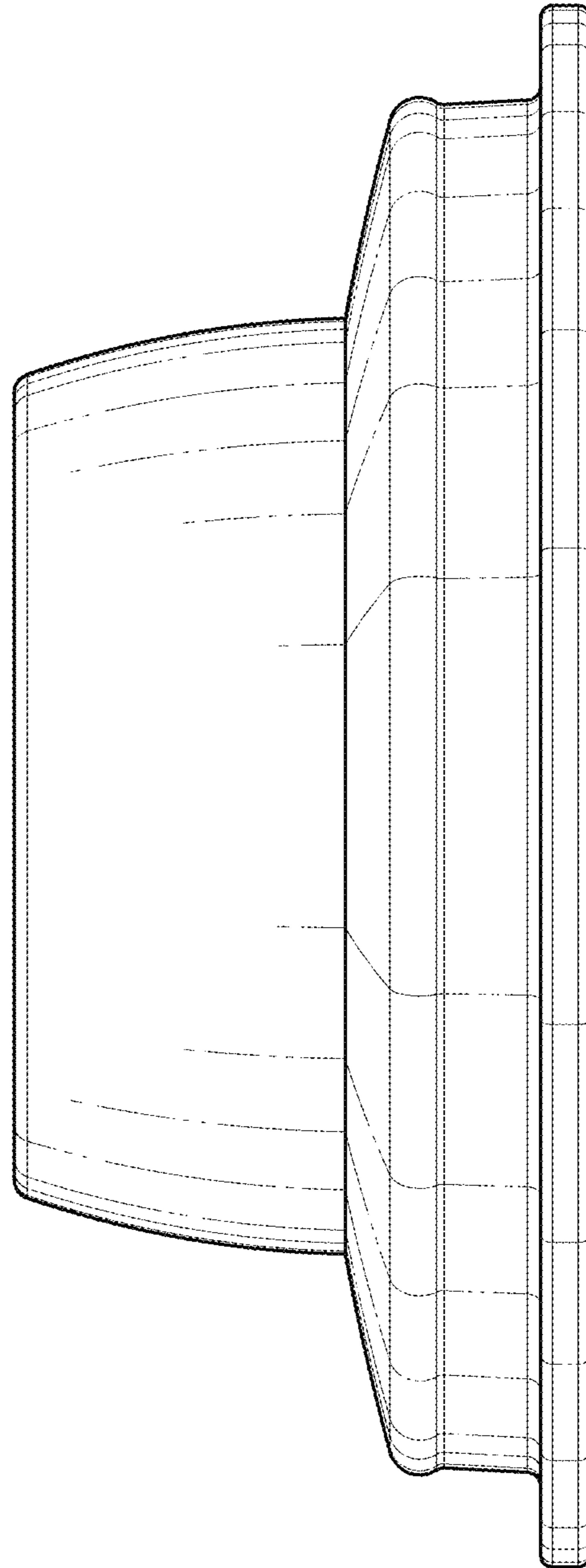


FIG. 5

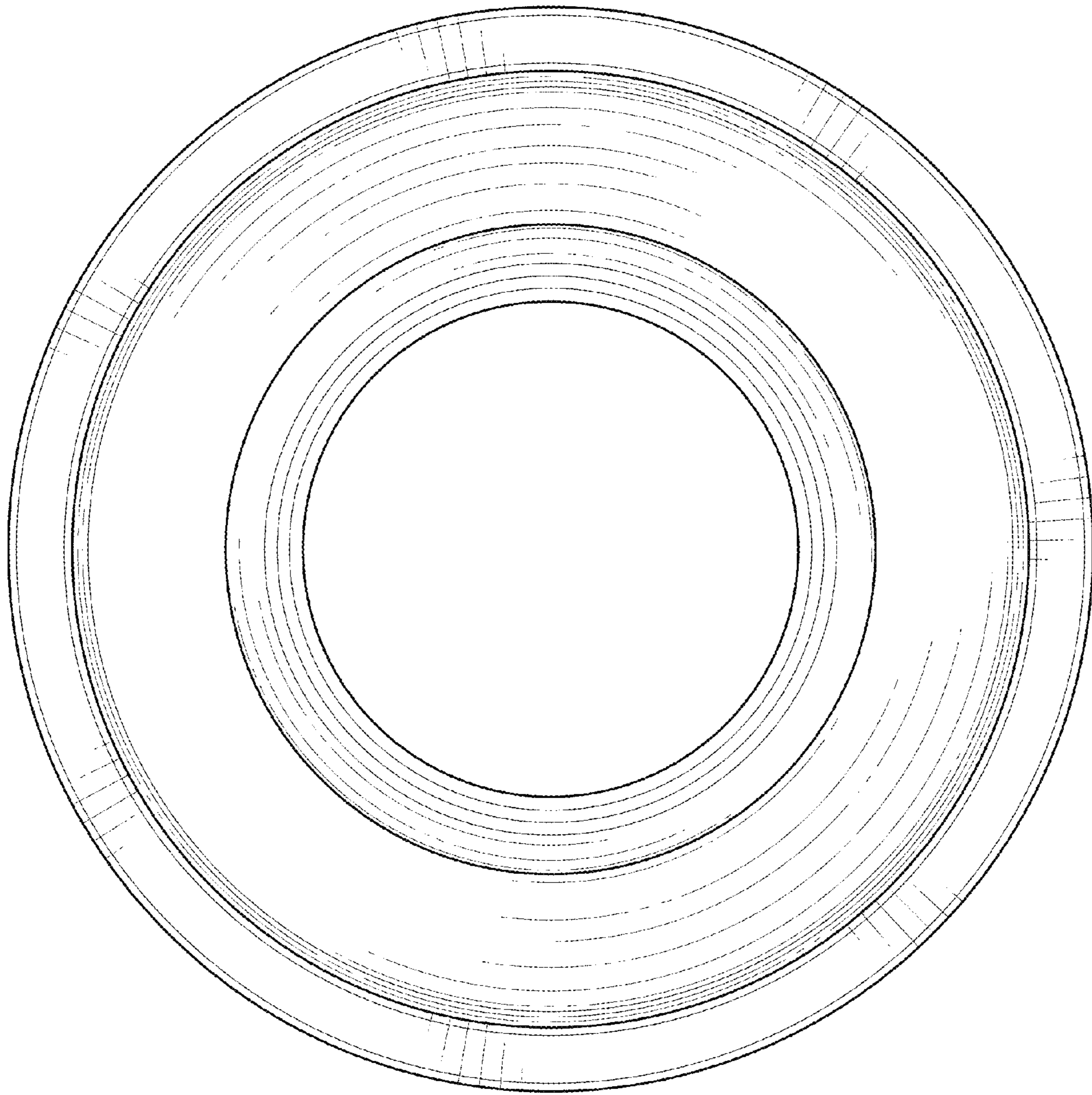


FIG. 6

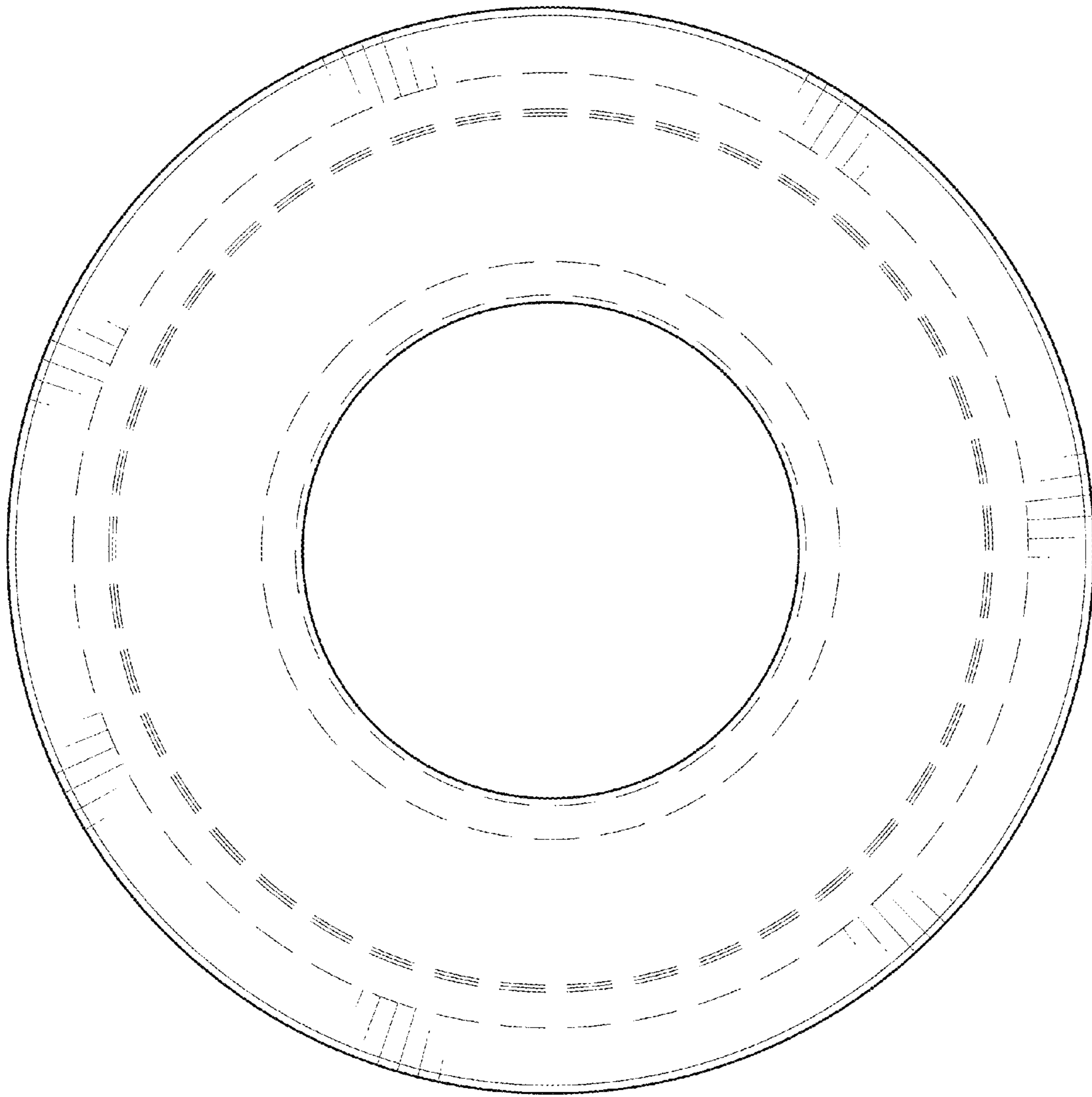


FIG. 7