



US00D757542S

(12) **United States Design Patent**
Prum et al.

(10) **Patent No.:** **US D757,542 S**

(45) **Date of Patent:** **** *May 31, 2016**

(54) **LIQUID DISPENSING CAP**

(71) Applicant: **W&P Design LLC**, New York, NY (US)

(72) Inventors: **Eric Prum**, New York, NY (US); **Joshua Williams**, Brooklyn, NY (US)

(73) Assignee: **Assembly Brands, LLC**, Brooklyn, NY (US)

(*) Notice: This patent is subject to a terminal disclaimer.

(**) Term: **14 Years**

(21) Appl. No.: **29/496,040**

(22) Filed: **Jul. 8, 2014**

(51) **LOC (10) Cl.** **09-01**

(52) **U.S. Cl.**
USPC **D9/447**

(58) **Field of Classification Search**
USPC D7/300, 316, 387, 396.2, 397, 510;
D8/352, 399; D9/420, 428, 429,
D9/434-436, 440, 443, 439, 444-447, 449,
D9/450-454, 456, 499, 503, 504, 549, 715,
D9/717, 718, 728, 738, 741; D23/260,
D23/269, 390; D24/224; 99/375; 215/252;
220/212, 371, 530, 608, 711, 713, 839;
426/394
CPC B65D 2231/022; B65D 2543/00351
See application file for complete search history.

(56) **References Cited**

U.S. PATENT DOCUMENTS

D143,581 S * 1/1946 Waltoff D9/449
D160,485 S * 10/1950 Detzel D9/439
D180,573 S * 7/1957 Beall D9/447
D265,968 S * 8/1982 Bergin D13/156
D291,780 S * 9/1987 Guttormson D9/447
D389,011 S * 1/1998 DeCoster D7/387

D476,193 S * 6/2003 Janky D7/510
D524,648 S * 7/2006 Feist D28/7
D573,017 S * 7/2008 Henderson D9/436
D582,767 S * 12/2008 Batton D9/447
D668,914 S * 10/2012 Riedel D7/510
D708,946 S * 7/2014 Hutchison D9/447
D722,872 S * 2/2015 Bowman D9/436
D729,581 S * 5/2015 Boroski D7/510

OTHER PUBLICATIONS

Sur La Table. W&P Mason Jar Tap. 10/14/201 [online], [site visited Nov. 3, 2015]. Available from Internet, <URL:http://www.surlatable.com/product/PRO-1608603/?affsrcid=AFF0005&adpos=1o1&creative=45300890861&device=c&matchtype=&network=g&gclid=CjOKEQIA0-GxBRDWsePx0pPtp4sBEiQACuTLNIXAOTT7R3y_zD9uKDJAgrwCuKR2lfOQ_tjzOOXiRb8aAg1f8P8HAQ>.*

* cited by examiner

Primary Examiner — Robert M Spear

Assistant Examiner — Darcey E Heflin

(74) *Attorney, Agent, or Firm* — Eliezer IP

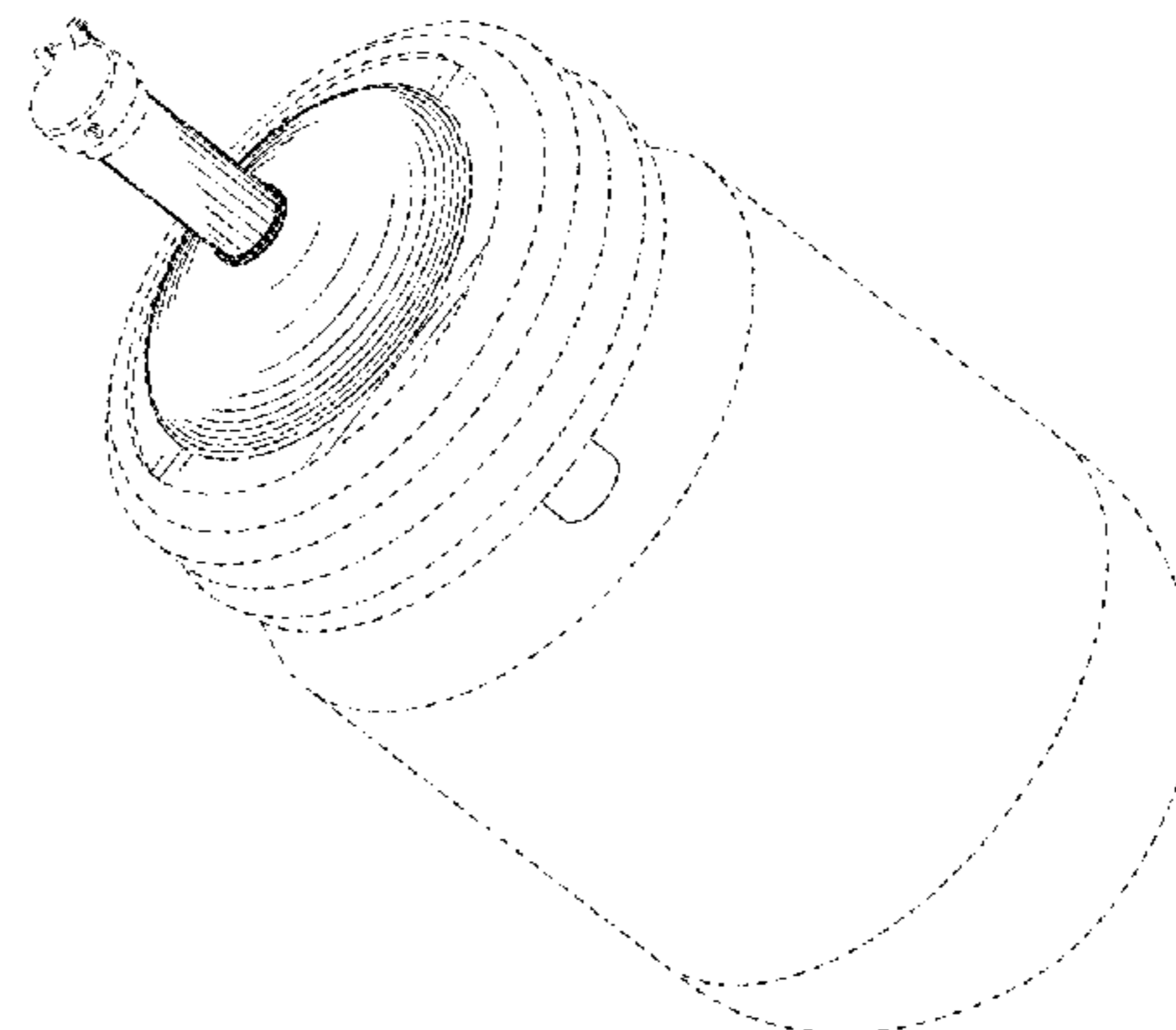
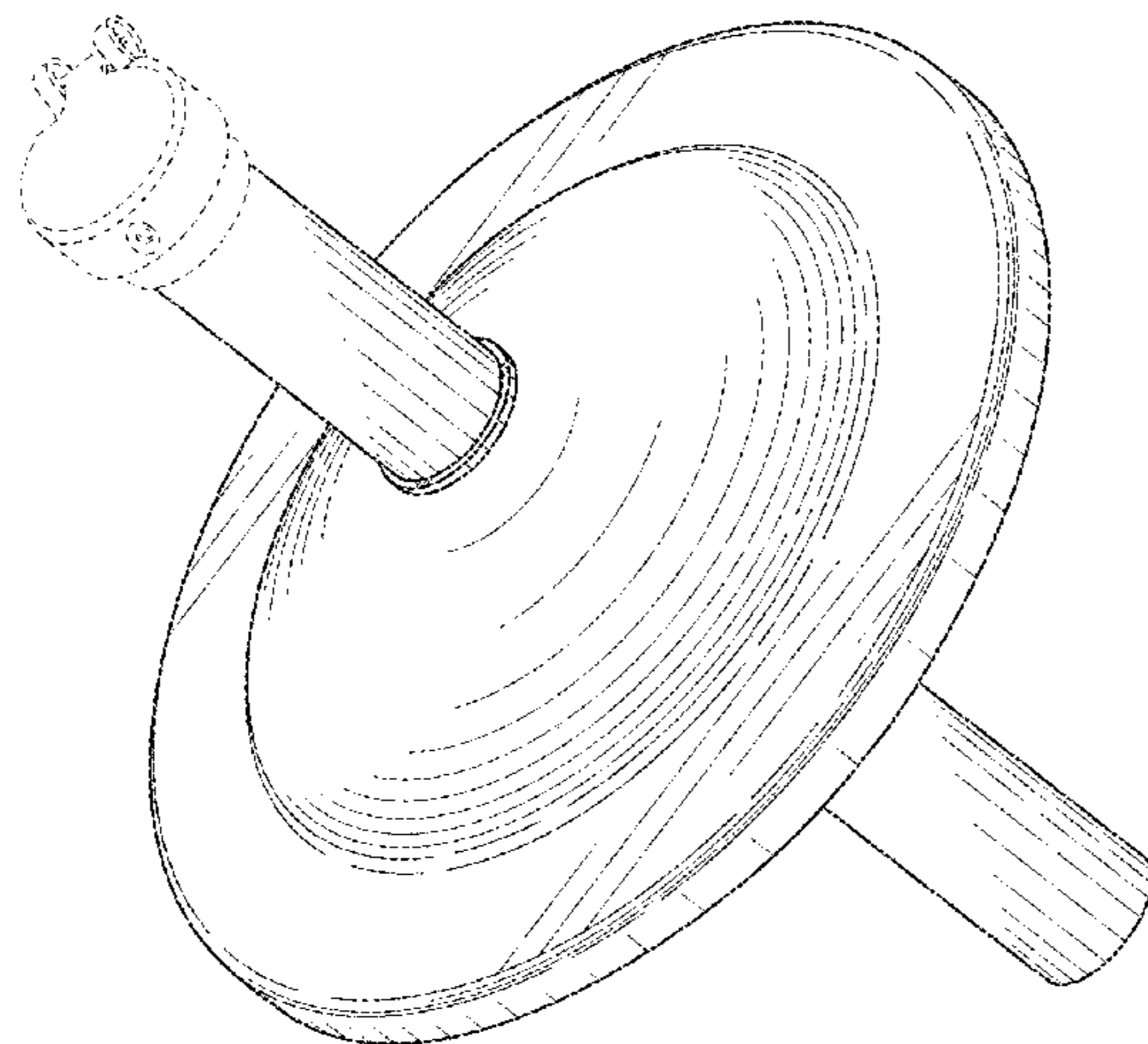
(57) **CLAIM**

The ornamental design for a liquid dispensing cap, as shown and described.

DESCRIPTION

FIG. 1 is a perspective view of a liquid dispensing cap;
FIG. 2 is a top view thereof;
FIG. 3 is a bottom view thereof;
FIG. 4 is a side view thereof;
FIG. 5 is a front view thereof
FIG. 6 is a back view thereof;
FIG. 7 is a perspective view of a liquid dispensing cap placed within a container; and,
FIG. 8 is a cross-sectional view of a liquid dispensing cap. The broken lines illustrate portions of the liquid dispensing cap that do not form a part of the claimed design.

1 Claim, 5 Drawing Sheets



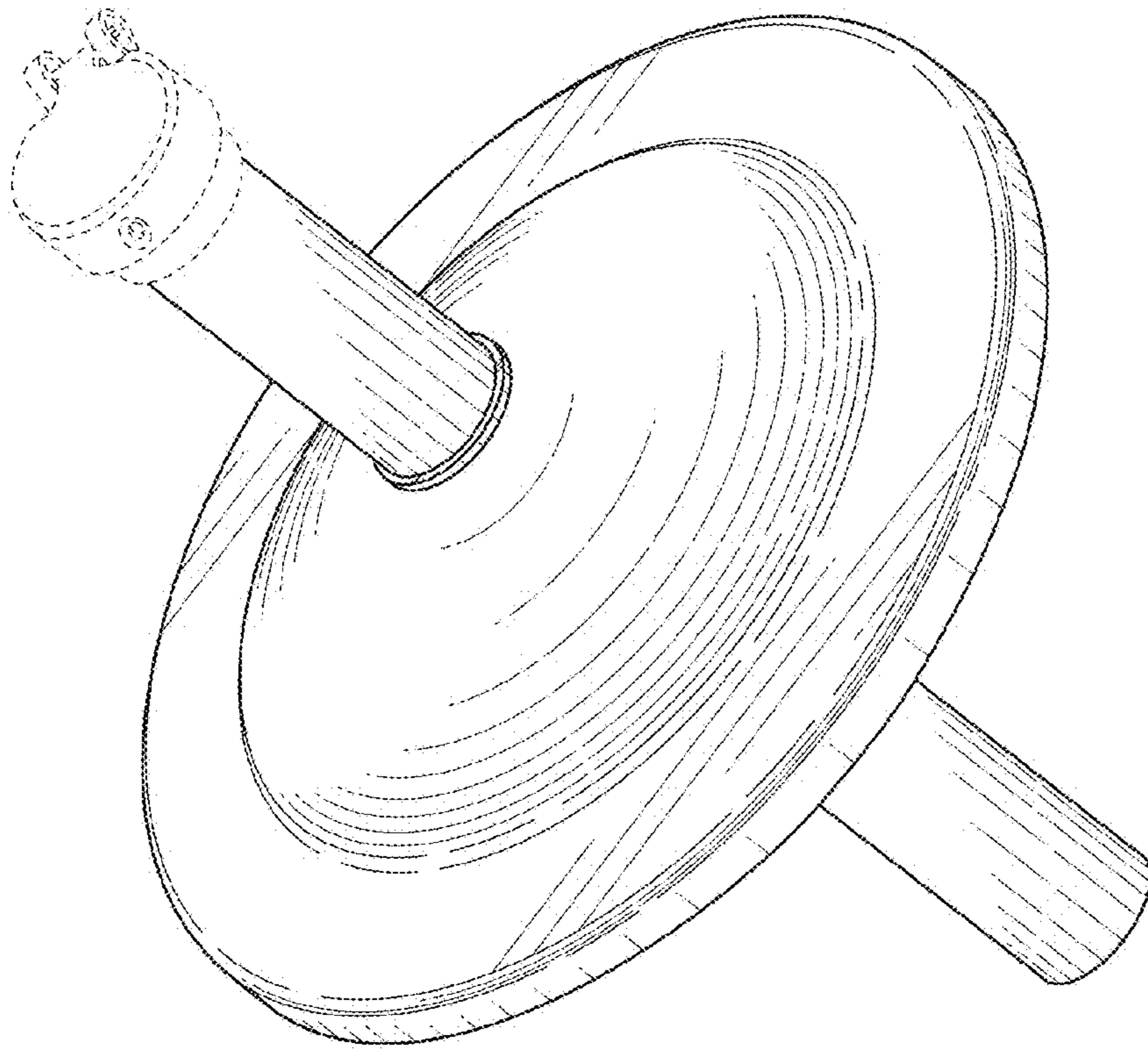


FIG. 1

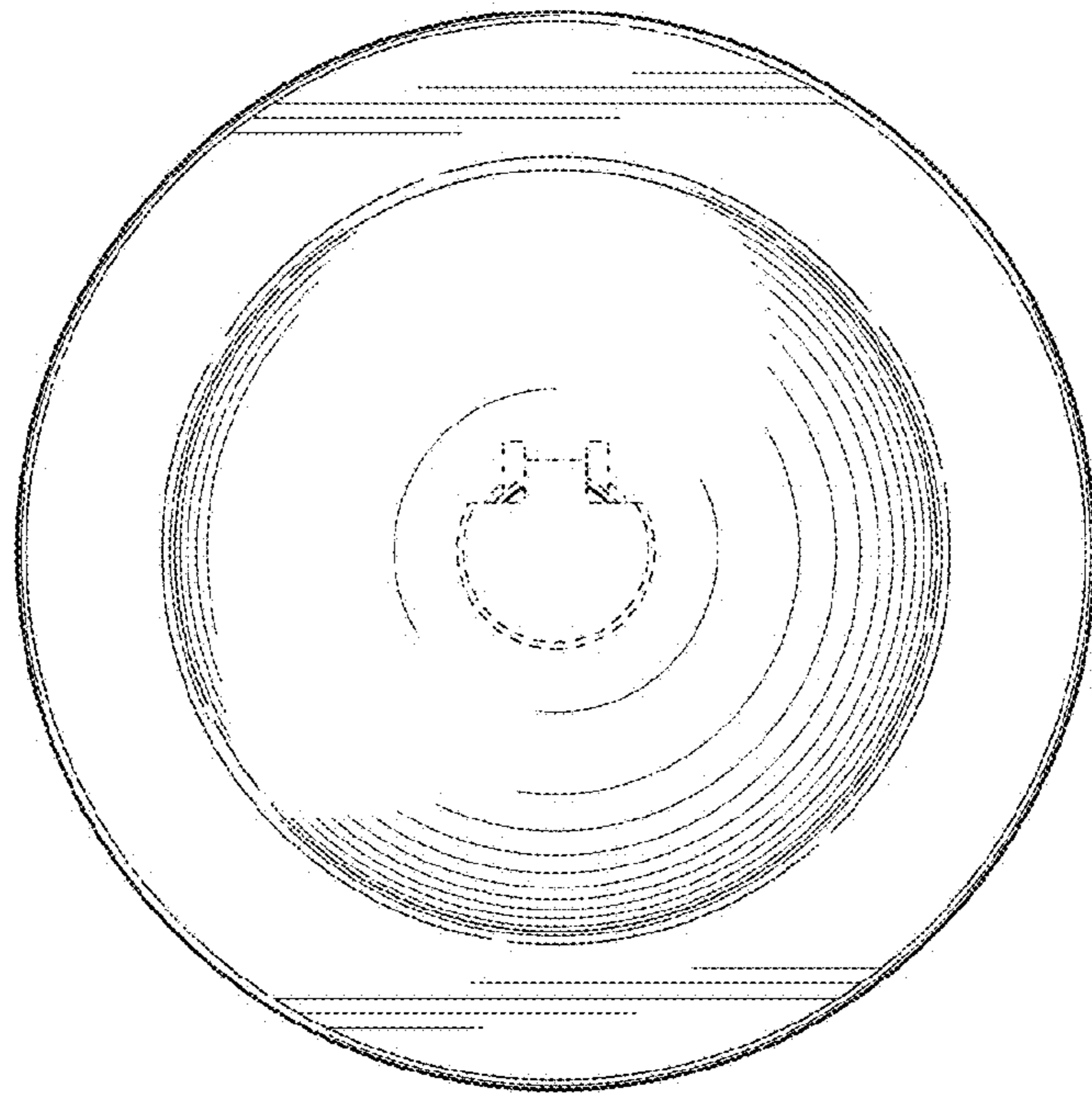


FIG. 2

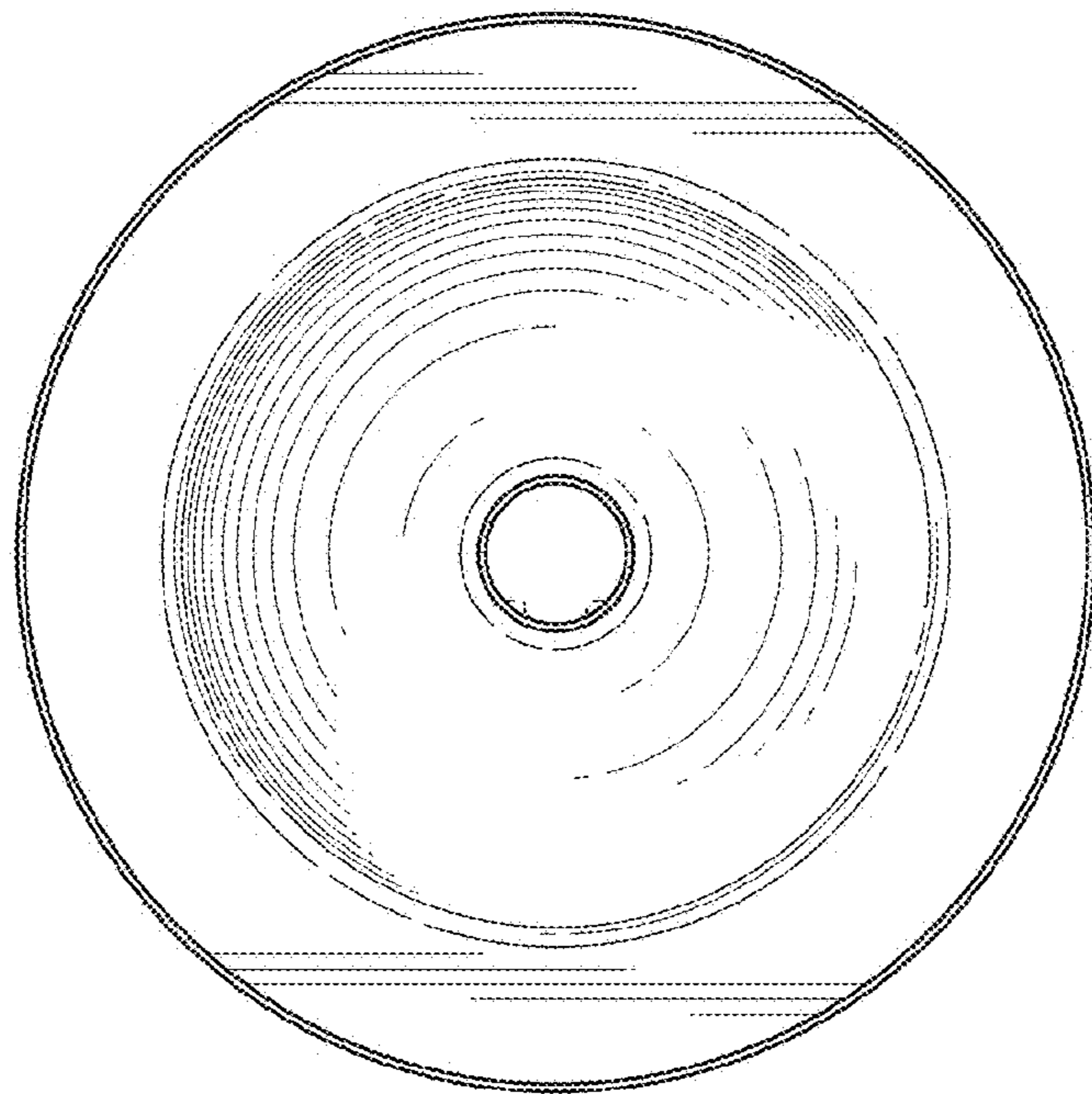


FIG. 3

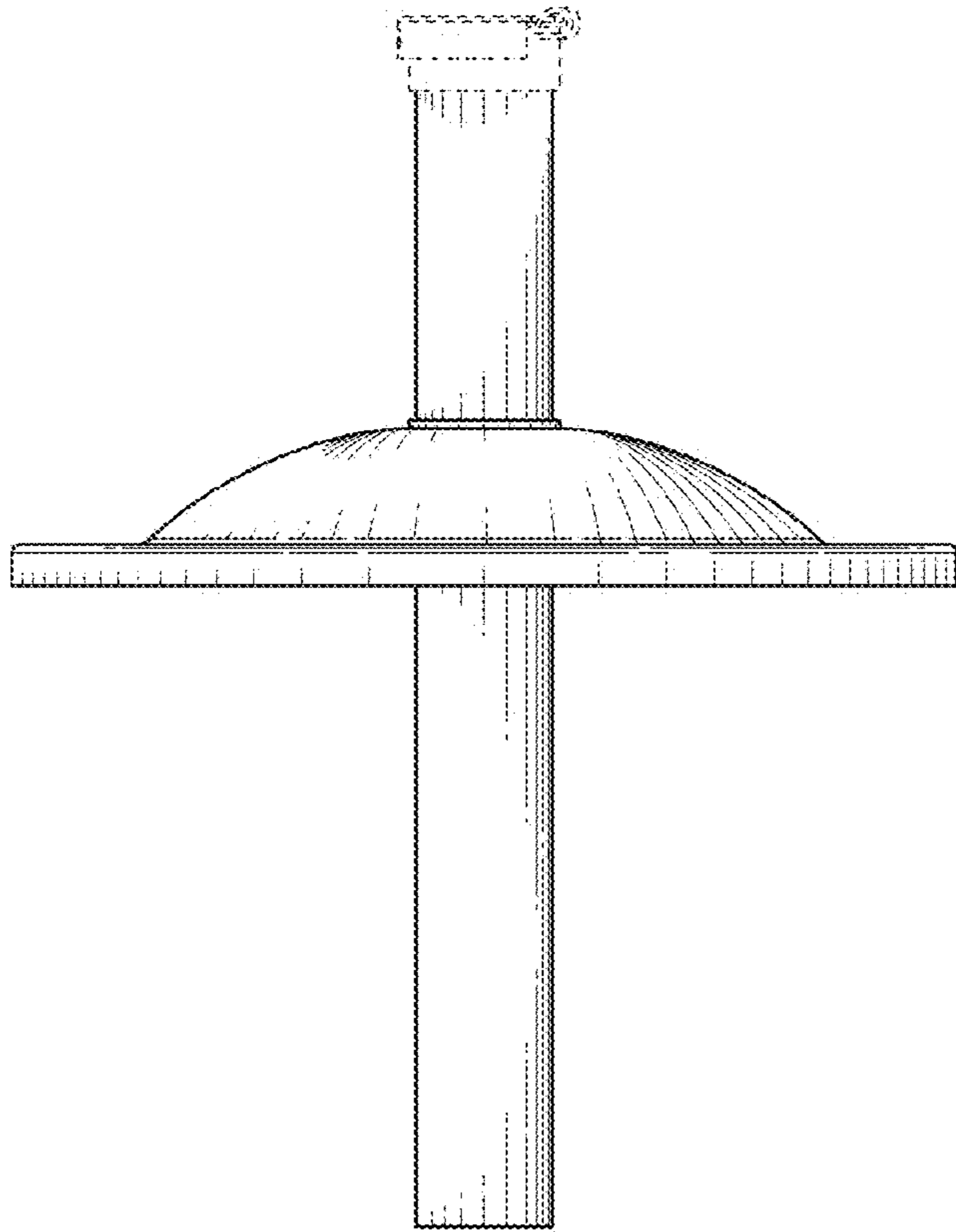


FIG. 4

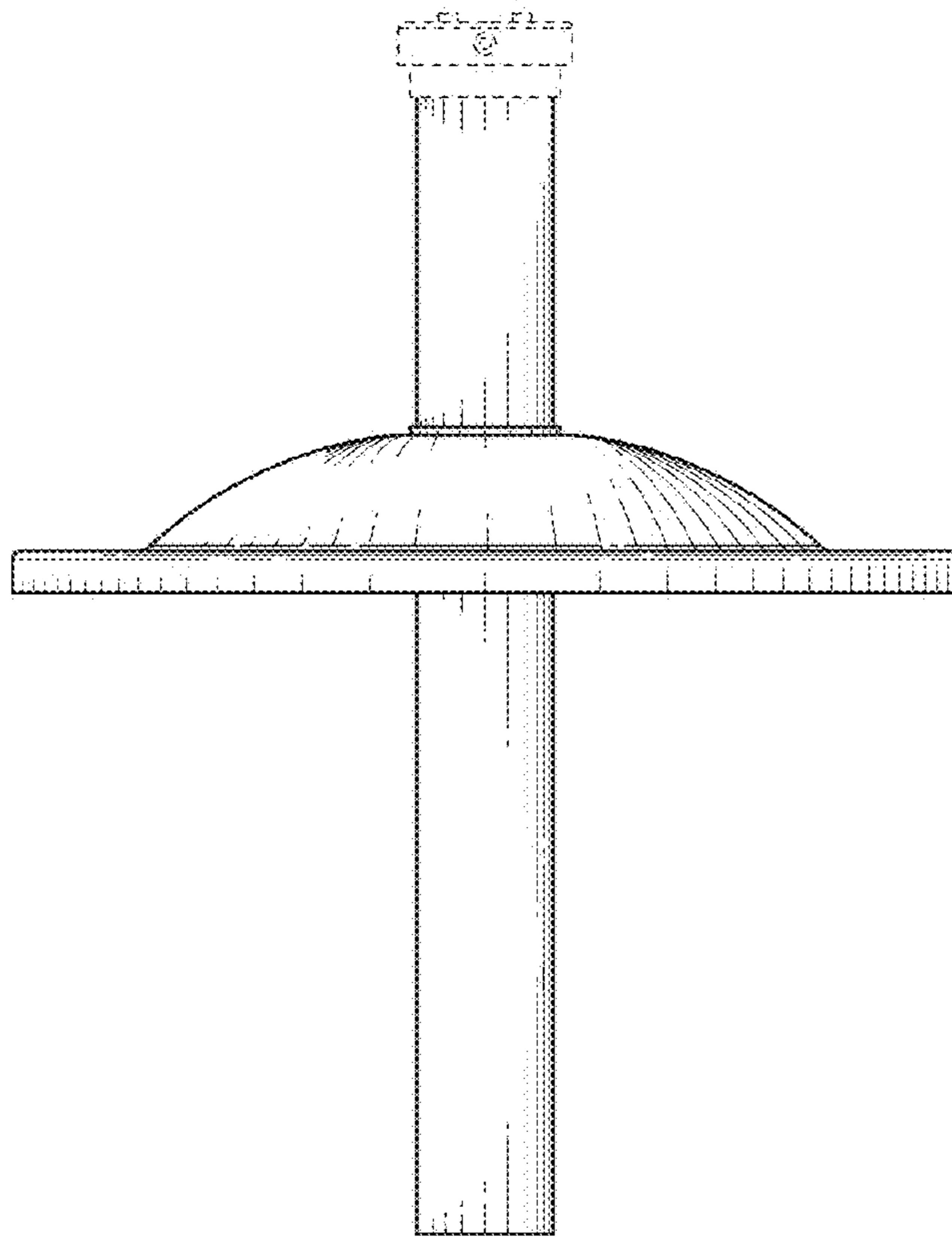


FIG. 5

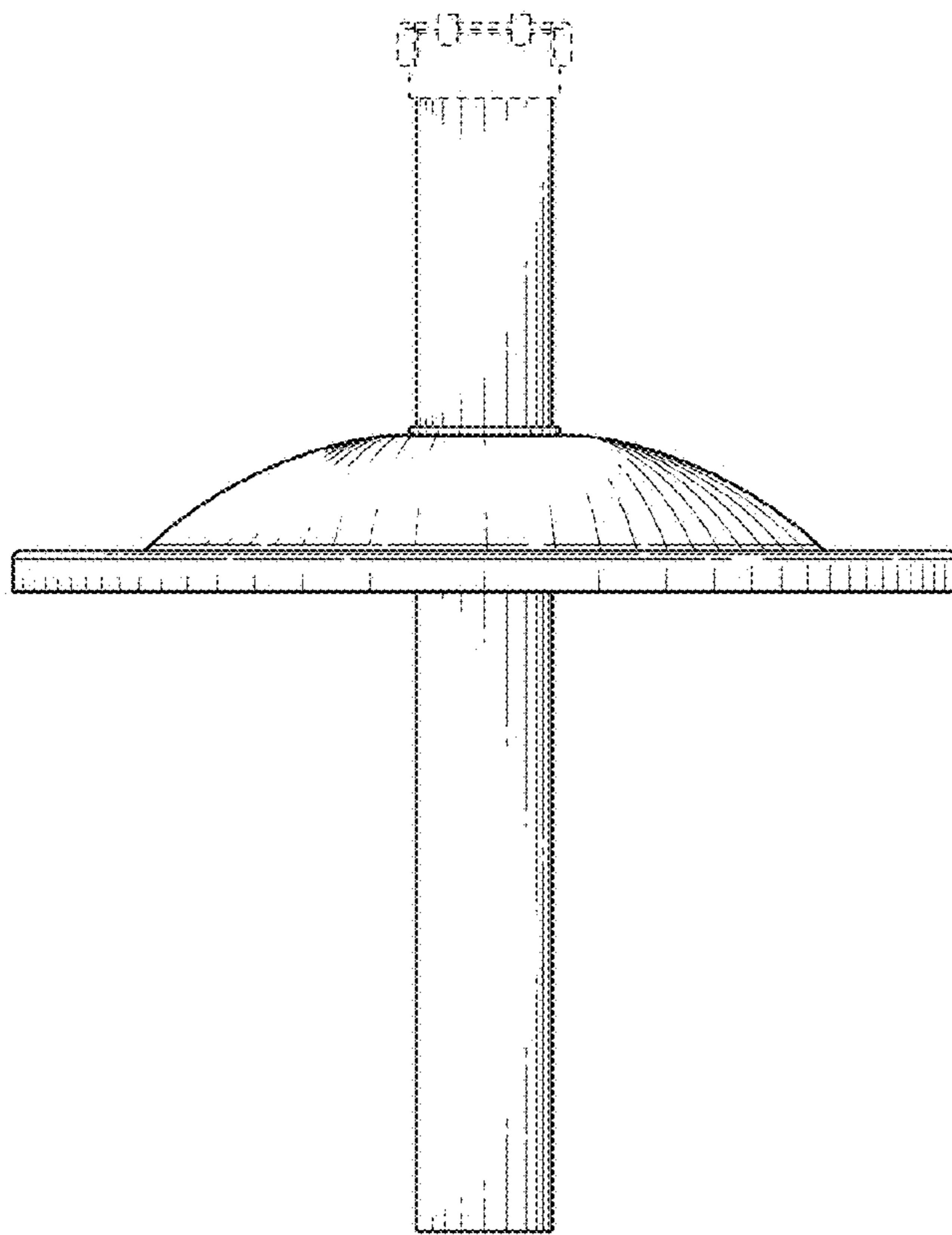


FIG. 6

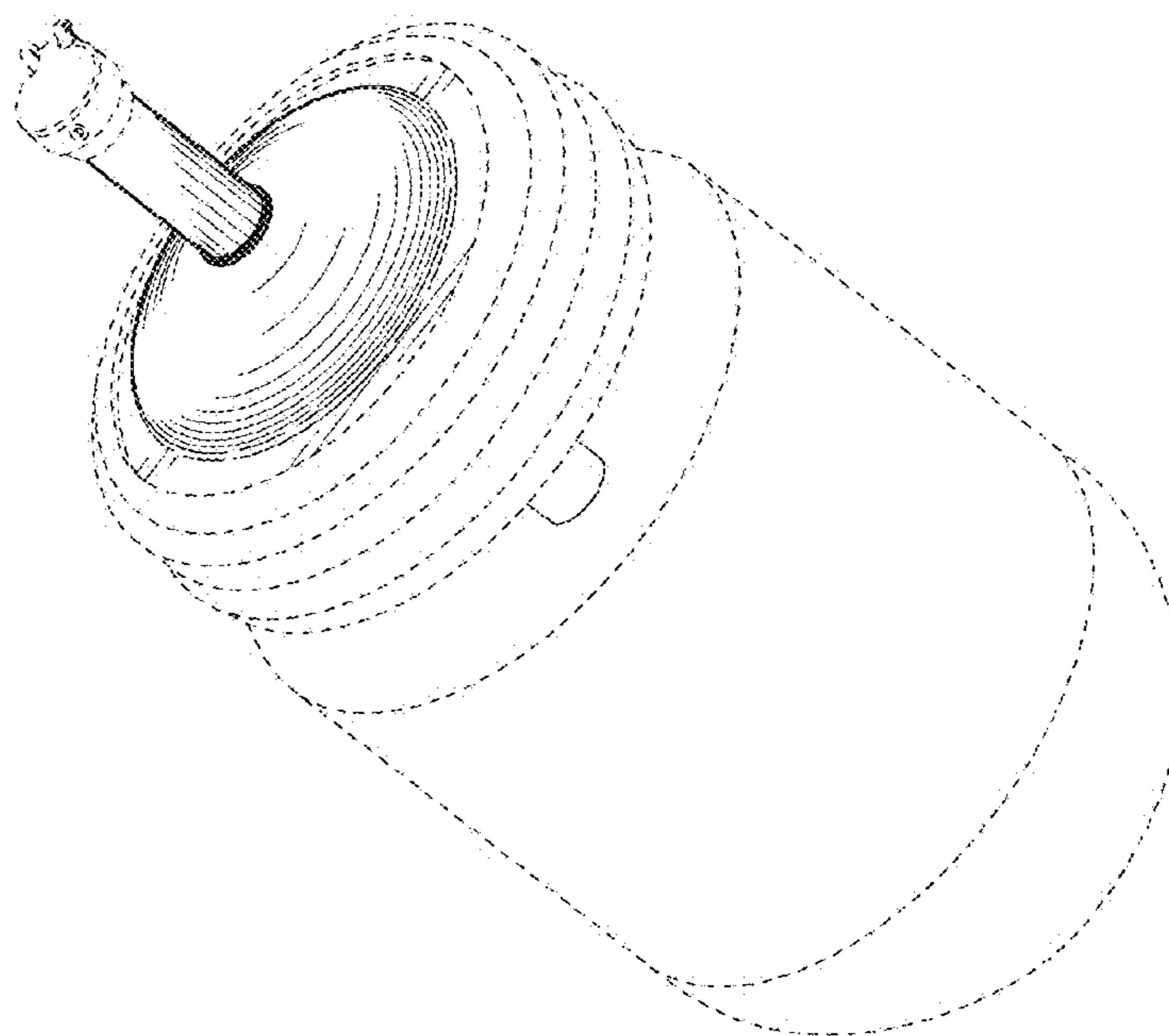


FIG. 7

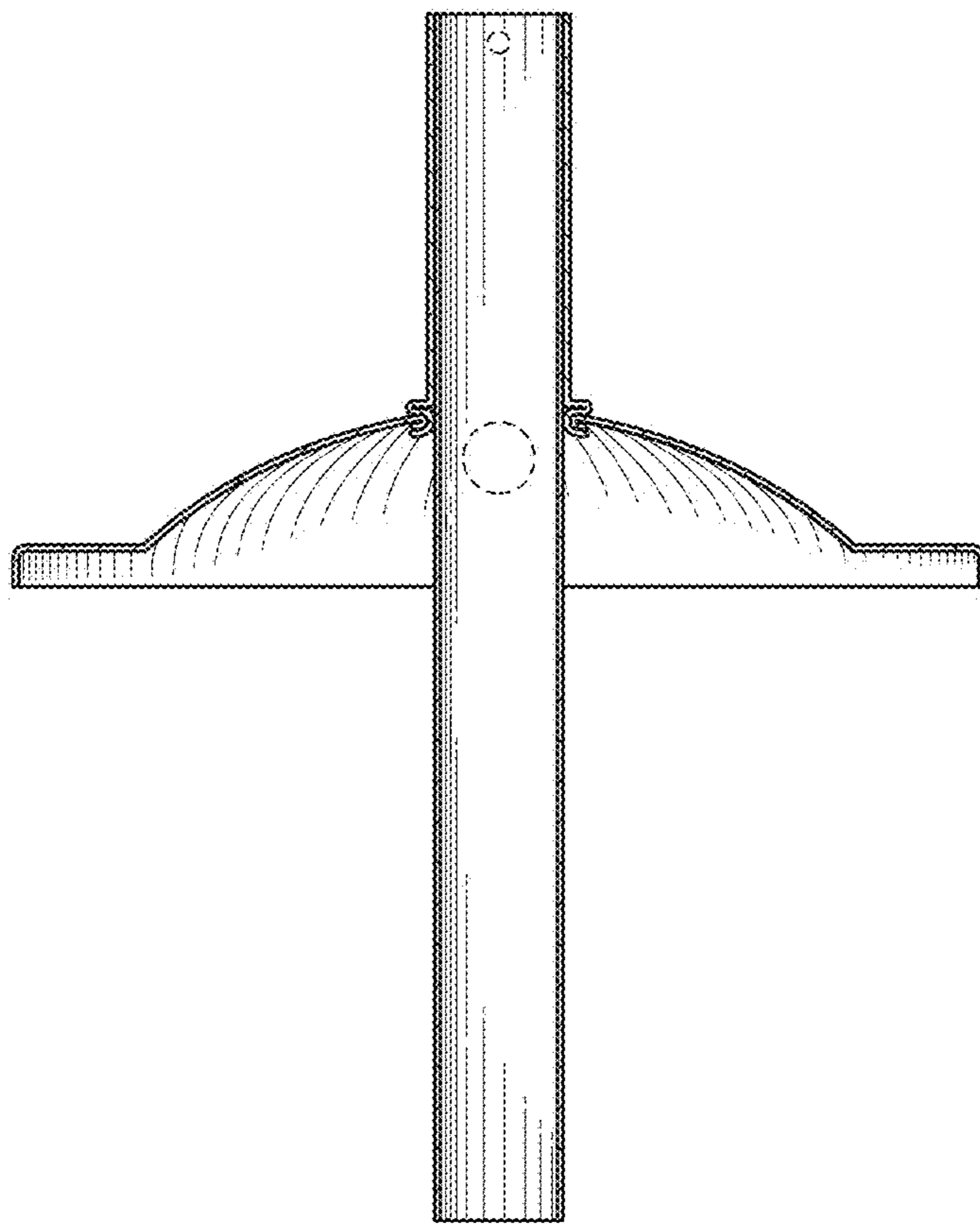


FIG. 8