



US00D757541S

(12) **United States Design Patent**
Wu

(10) **Patent No.:** **US D757,541 S**

(45) **Date of Patent:** **** May 31, 2016**

(54) **SEALING CAP FOR A CONTAINER**

(71) Applicant: **Tzeng Shyng Industries Corp.**, Tainan (TW)

(72) Inventor: **Shih-Wei Wu**, Taipei (TW)

(73) Assignee: **TZENG SHYNG INDUSTRIES CORP.**, Tainan (TW)

(**) Term: **14 Years**

(21) Appl. No.: **29/525,629**

(22) Filed: **Apr. 30, 2015**

(51) **LOC (10) Cl.** **09-07**

(52) **U.S. Cl.**
USPC **D9/439**

(58) **Field of Classification Search**
USPC D7/602, 705; D9/434-440, 443-445,
D9/447, 449, 450, 452-454, 499;
220/258.2

CPC B65D 17/506
See application file for complete search history.

(56) **References Cited**

U.S. PATENT DOCUMENTS

- 3,434,620 A * 3/1969 Laurizio B65D 39/084
220/258.2
- 4,059,201 A * 11/1977 Foster B65D 51/20
220/258.2

- D563,785 S * 3/2008 Maki D9/454
- D660,700 S * 5/2012 MacNeill D9/445
- D668,153 S * 10/2012 Mavin D9/443
- D669,354 S * 10/2012 Davis D9/454
- D677,162 S * 3/2013 Sharma D7/392.1
- D682,108 S * 5/2013 Berggren D9/454
- D689,771 S * 9/2013 Berggren D9/454
- D709,765 S * 7/2014 Hager D9/449
- 2009/0173737 A1 * 7/2009 Ramsey B65D 17/506
220/258.2

* cited by examiner

Primary Examiner — Robert M Spear

Assistant Examiner — Darcey E Heflin

(74) *Attorney, Agent, or Firm* — DLA Piper LLP (US)

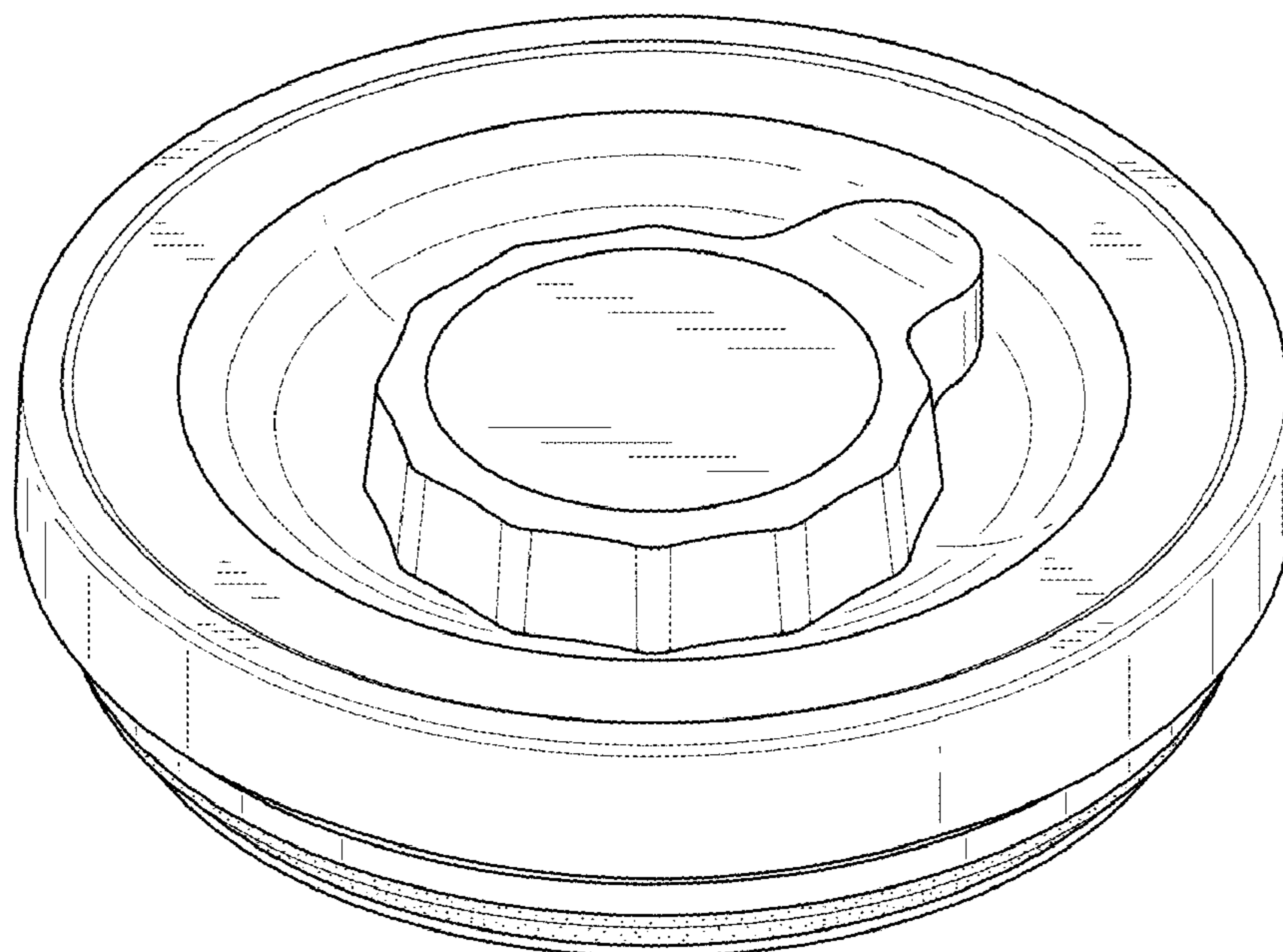
(57) **CLAIM**

The ornamental design for a sealing cap for a container, as shown and described.

DESCRIPTION

FIG. 1 is a perspective view of the sealing cap for a container showing my new design;
 FIG. 2 is a front elevational view thereof;
 FIG. 3 is a rear elevational view thereof;
 FIG. 4 is a left side elevational view thereof;
 FIG. 5 is a right side elevational view thereof;
 FIG. 6 is a top plan view thereof; and,
 FIG. 7 is a bottom plan view thereof.

1 Claim, 5 Drawing Sheets



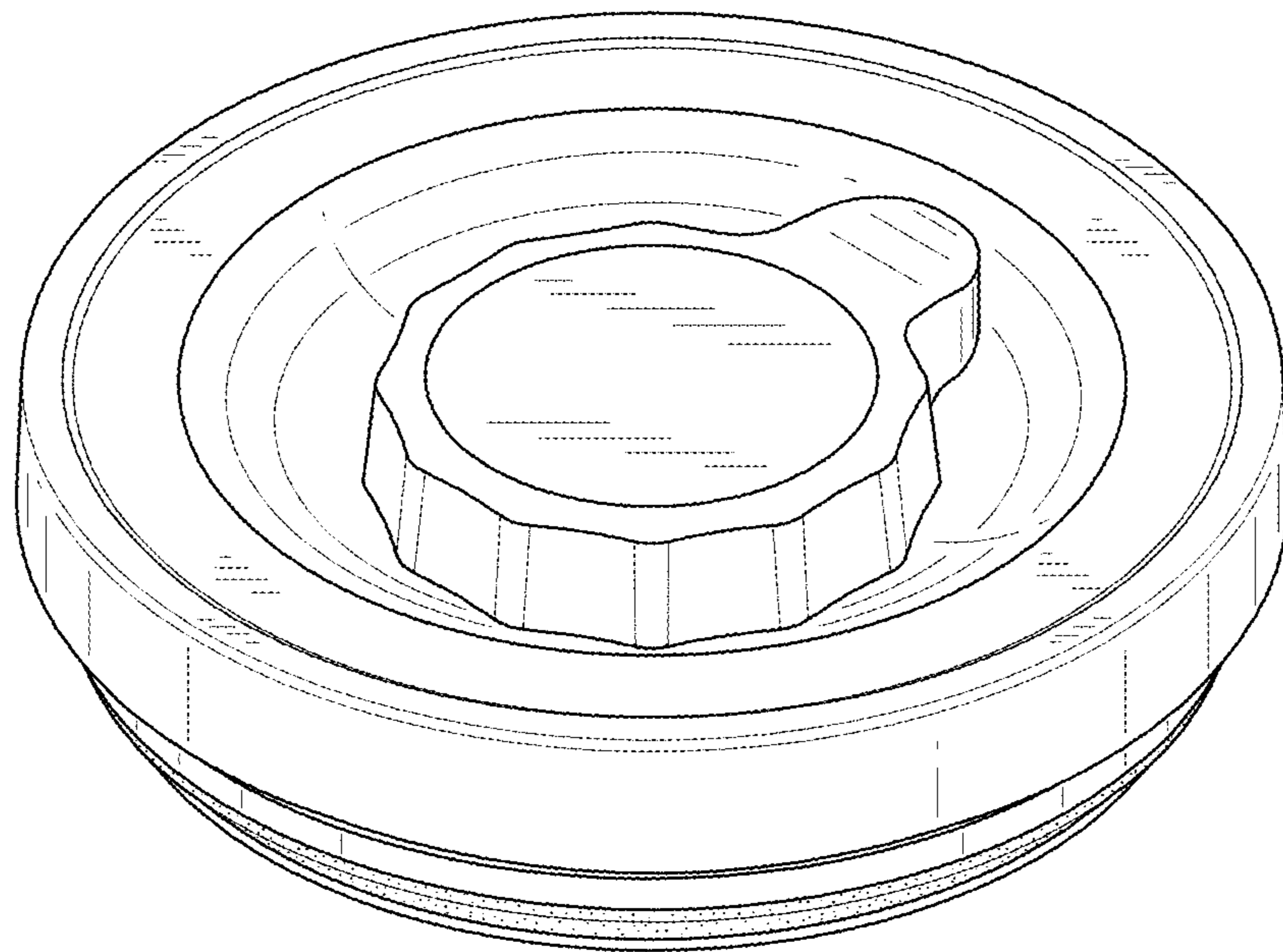


FIG. 1

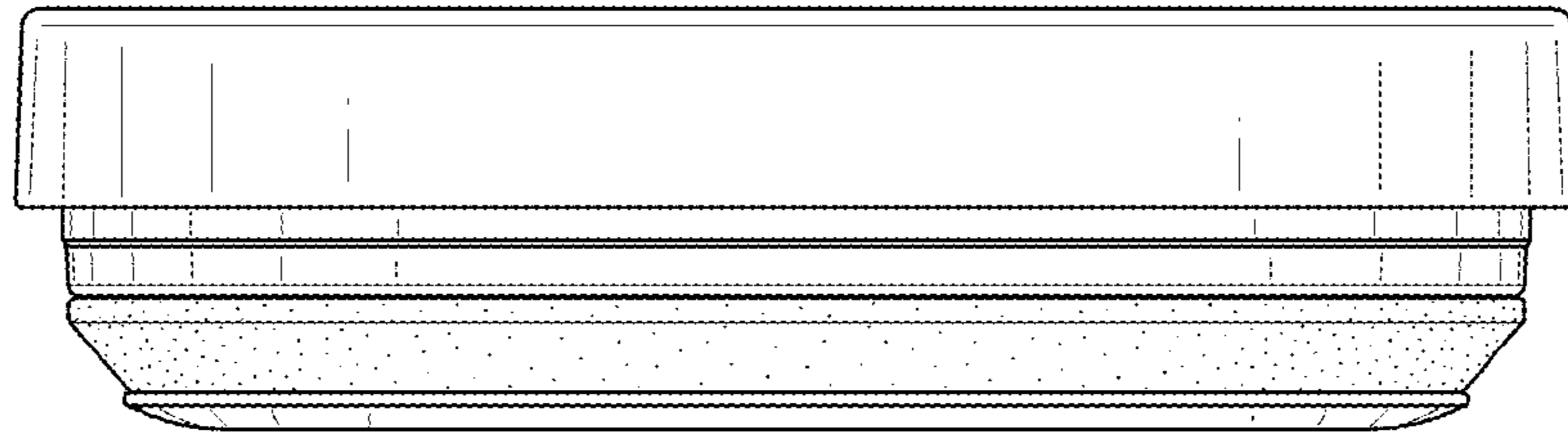


FIG. 2

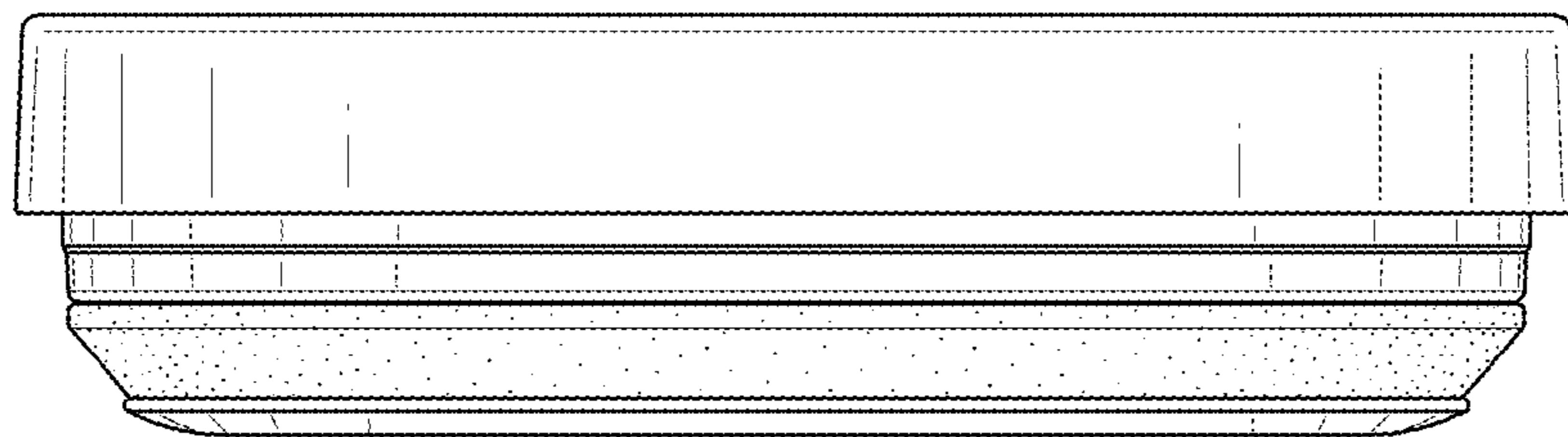


FIG. 3

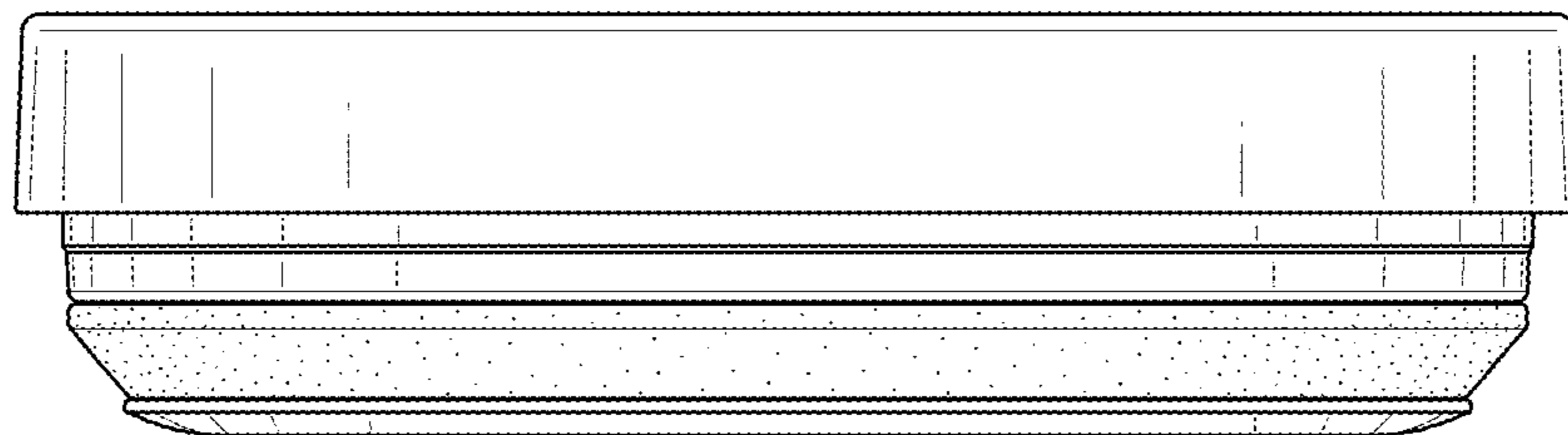


FIG. 4

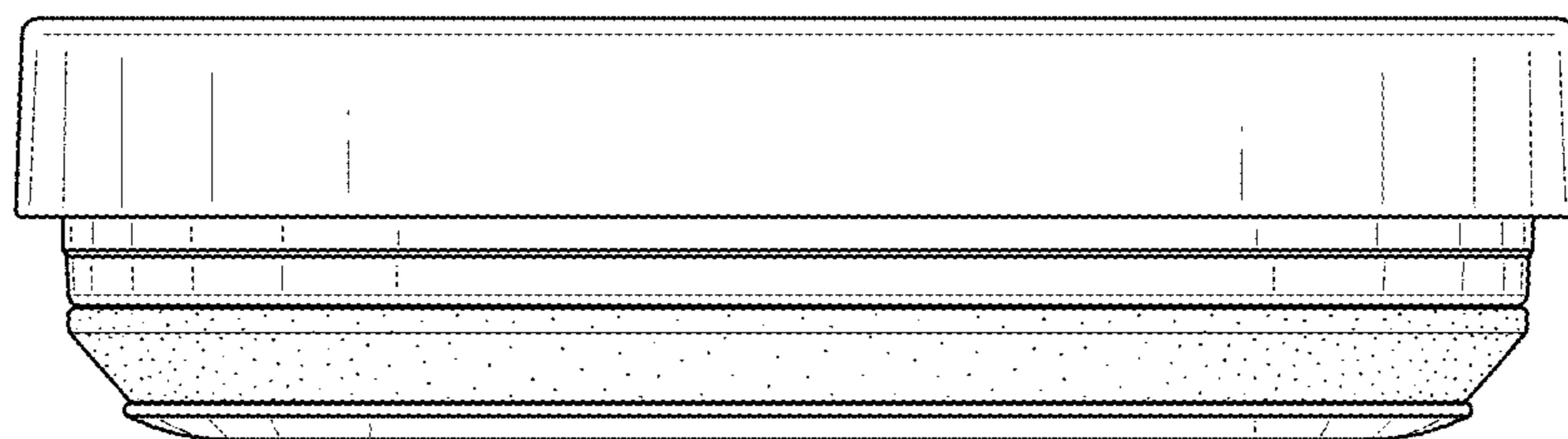


FIG. 5

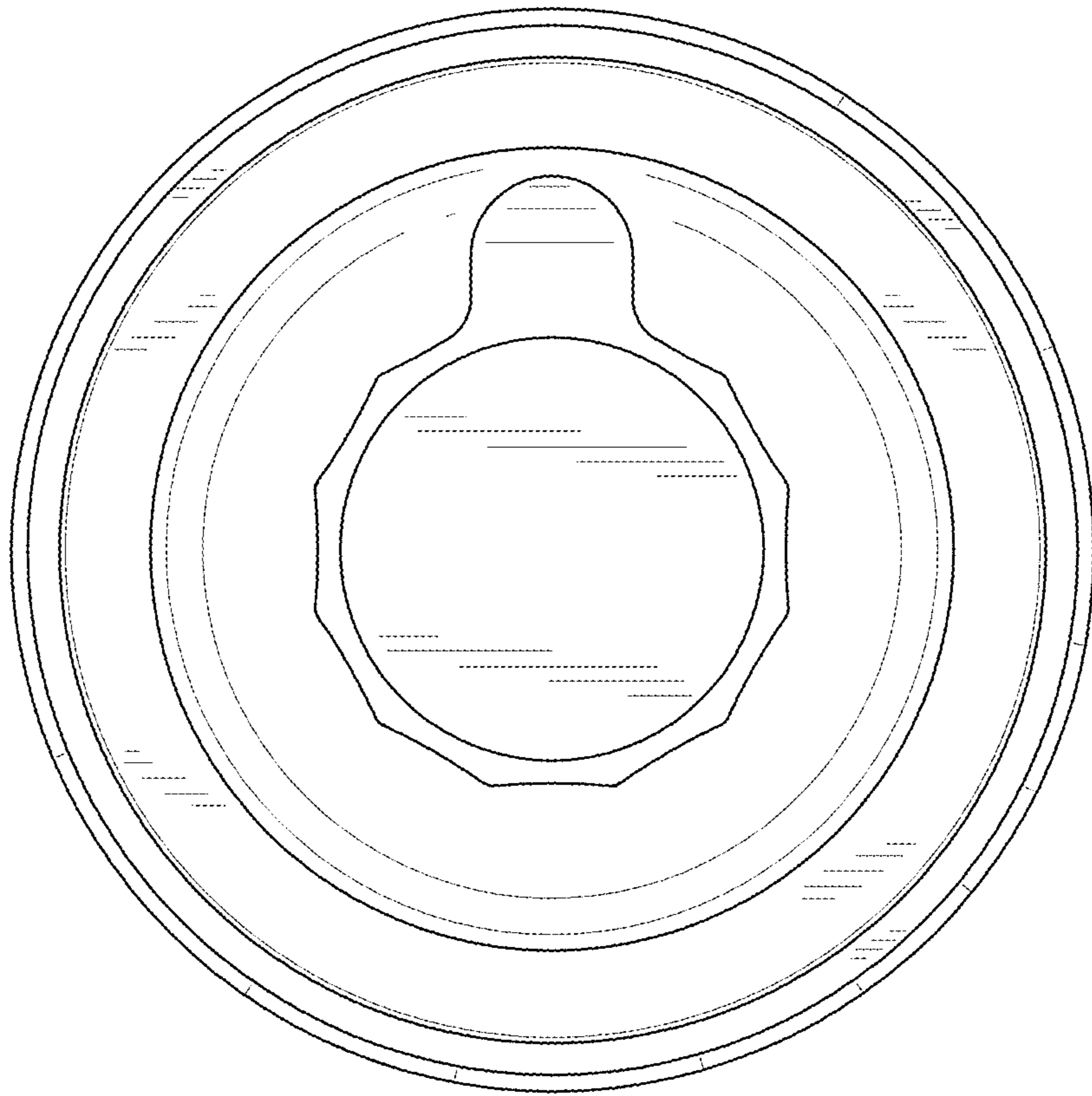


FIG.6

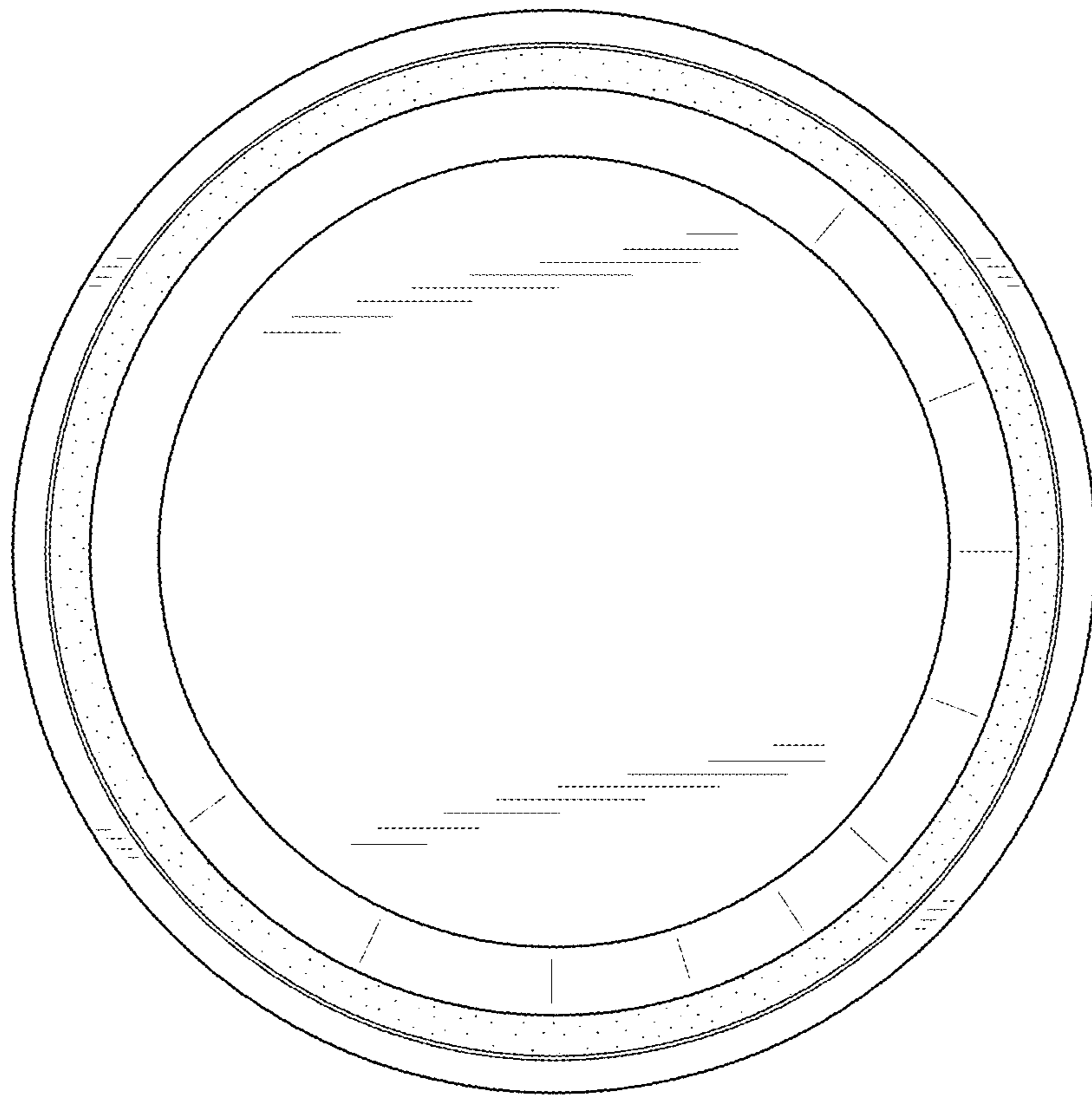


FIG. 7