

US00D757540S

(12) **United States Design Patent**
Bushida et al.

(10) **Patent No.:** **US D757,540 S**
(45) **Date of Patent:** **** May 31, 2016**

(54) **PACKAGING CONTAINER**

(71) Applicant: **SUNTORY BEVERAGE & FOOD LIMITED**, Tokyo (JP)

(72) Inventors: **Mitsuru Bushida**, Tokyo (JP); **Daisuke Tanaka**, Tokyo (JP); **Takashi Kado**, Tokyo (JP); **Hiroki Yokoyama**, Tokyo (JP); **Masayuki Kitamasu**, Tokyo (JP)

(73) Assignees: **SUNTORY BEVERAGE & FOOD LIMITED**, Tokyo (JP); **SUNTORY HOLDINGS LIMITED**, Osaka (JP)

(**) Term: **14 Years**

(21) Appl. No.: **29/477,954**

(22) Filed: **Dec. 30, 2013**

(30) **Foreign Application Priority Data**

Jul. 1, 2013 (JP) 2013-014896
Jul. 1, 2013 (JP) 2013-014897

(51) **LOC (10) Cl.** **09-07**

(52) **U.S. Cl.**
USPC **D9/434**

(58) **Field of Classification Search**
USPC D7/300, 321, 392.1, 396.1, 396.2, 500, D7/507, 509, 510, 511, 900; D9/434-455, D9/524, 682, 685, 694, 695, 697, 723; D28/63, 76; 215/200, 235, 236, 252, 215/254, 329, 355-364; 220/203.04-203.07, 220, 254.1, 254.4, 220/556, 703-705; 294/137, 170; D3/328; D16/303, 320

See application file for complete search history.

(56) **References Cited**

U.S. PATENT DOCUMENTS

D528,858 S * 9/2006 Swope D7/396.1
D586,179 S * 2/2009 Furlong D7/392.1
D630,504 S * 1/2011 Scott D9/425

D630,892 S * 1/2011 Thonis D7/396.1
D682,087 S * 5/2013 Bourguignon D9/417
D738,207 S * 9/2015 Bushida D9/434
D744,330 S * 12/2015 Bushida D9/429

(Continued)

OTHER PUBLICATIONS

U.S. Appl. No. 29/477,953 to Mitsuru Bushida et al., filed Dec. 30, 2013.

(Continued)

Primary Examiner — Robert M Spear

Assistant Examiner — Marissa J Cash

(74) *Attorney, Agent, or Firm* — Greenblum & Bernstein, P.L.C.

(57) **CLAIM**

The ornamental design for a packaging container, as shown and described.

DESCRIPTION

FIG. 1 is a front view of a packaging container showing our new design;

FIG. 2 is a rear view thereof;

FIG. 3 is a left side view thereof;

FIG. 4 is a right side view thereof;

FIG. 5 is a top plan view thereof;

FIG. 6 is a bottom view thereof;

FIG. 7 is a perspective view 1 thereof;

FIG. 8 is a perspective view 2 thereof;

FIG. 9 is an enlarged view of a portion defined by area 9-9 of FIG. 7 thereof;

FIG. 10 is a reference top plan view thereof;

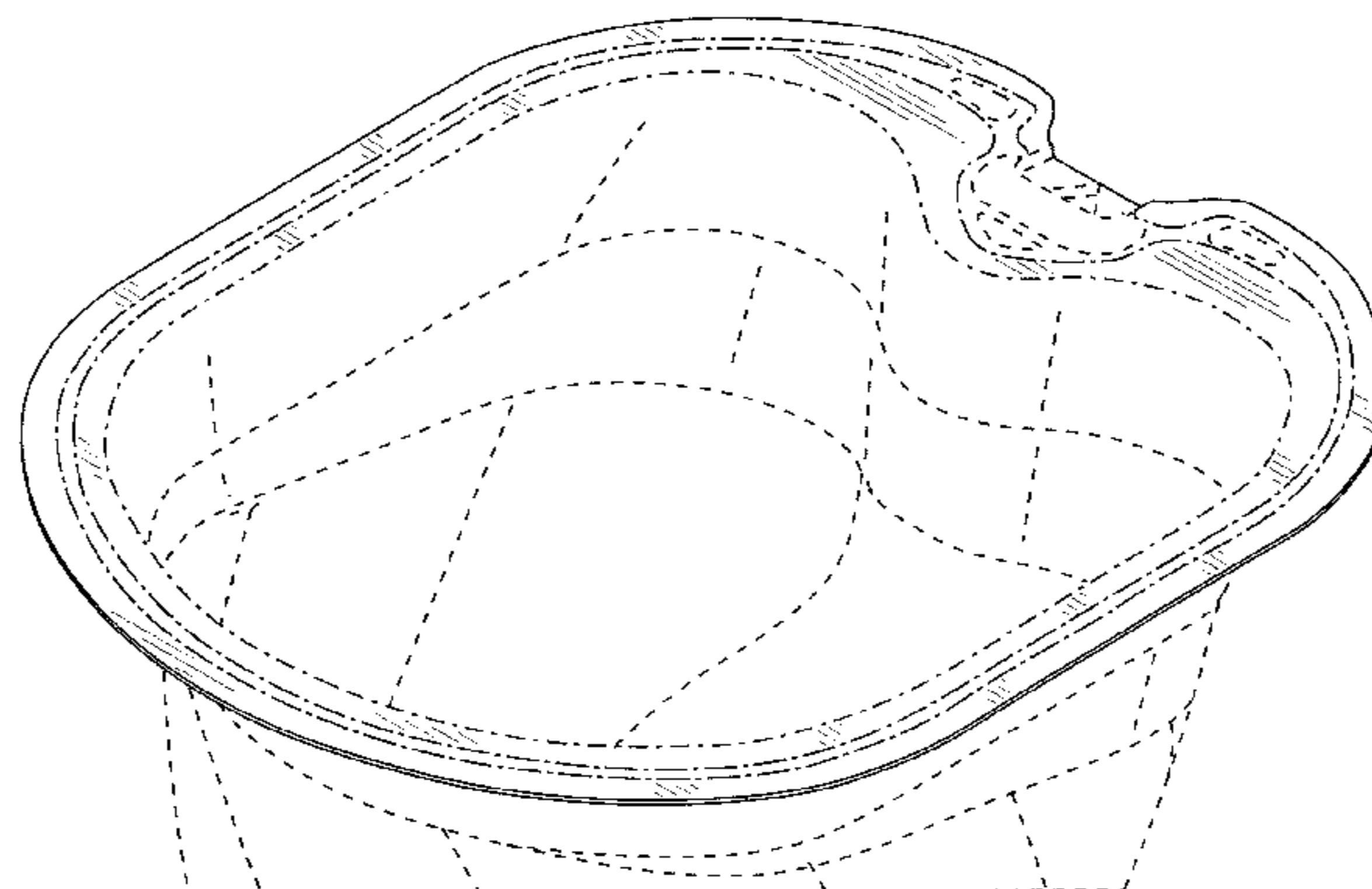
FIG. 11 is a reference bottom view thereof; and,

FIG. 12 is a reference enlarged view of a portion defined by area 9-9 of FIG. 7 thereof.

The broken line showings of FIGS. 1-12 are environmental only and not part of the claimed design.

The dashed-dotted line showings of FIGS. 5-12 illustrate a boundary between the claimed design and environmental features and form no part of the claimed design.

1 Claim, 12 Drawing Sheets



(56)

References Cited

U.S. PATENT DOCUMENTS

D744,828 S * 12/2015 Bushida D9/429
D745,825 S * 12/2015 Bushida D9/429

OTHER PUBLICATIONS

U.S. Appl. No. 29/477,956 to Mitsuru Bushida et al., filed Dec. 30,
2013.

U.S. Appl. No. 29/477,948 to Mitsuru Bushida et al., filed Dec. 30,
2013.

U.S. Appl. No. 29/477,951 to Mitsuru Bushida et al., filed Dec. 30,
2013.

U.S. Appl. No. 29/477,950 to Mitsuru Bushida et al., filed Dec. 30,
2013.

* cited by examiner

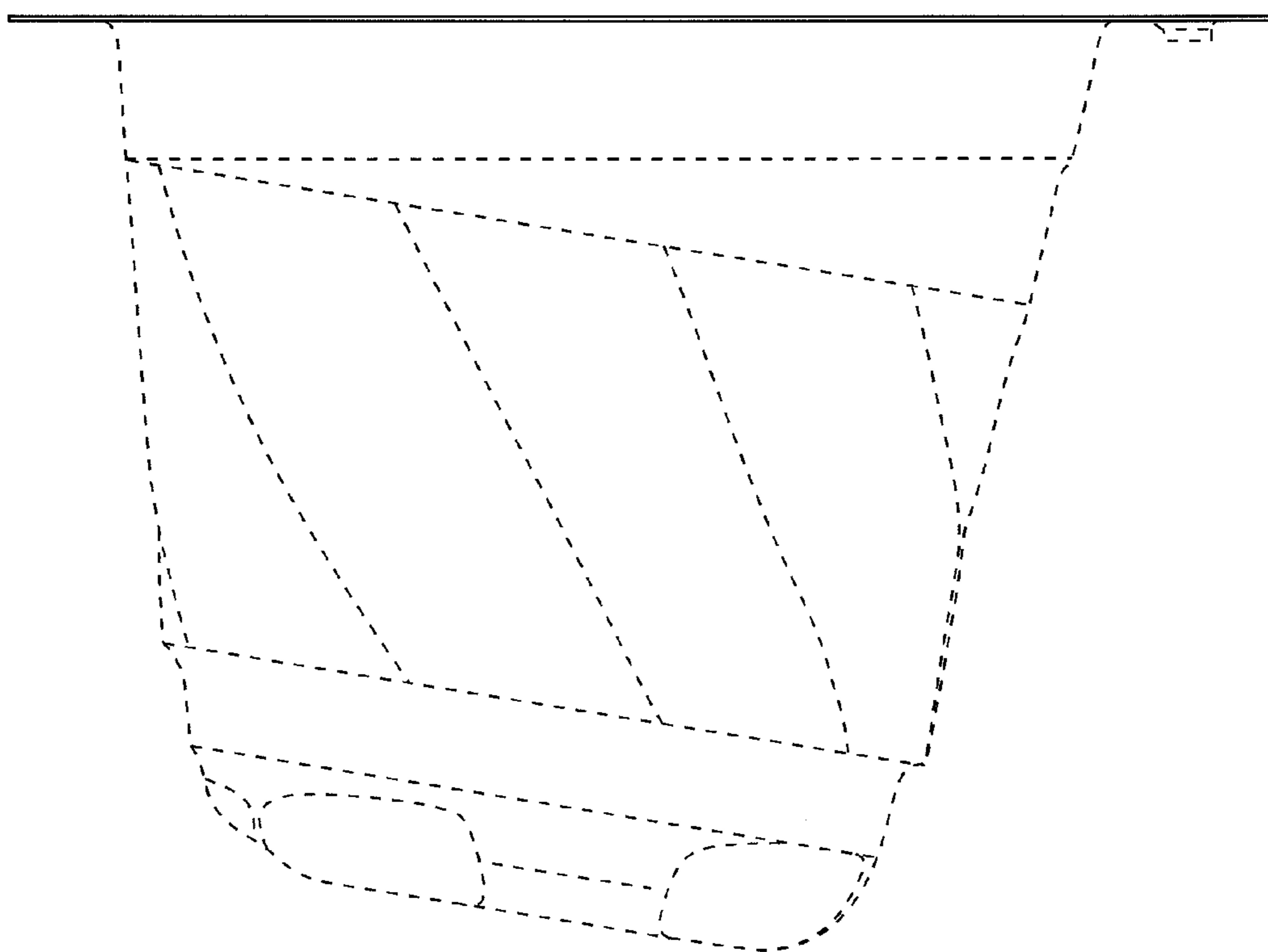


FIG. 1

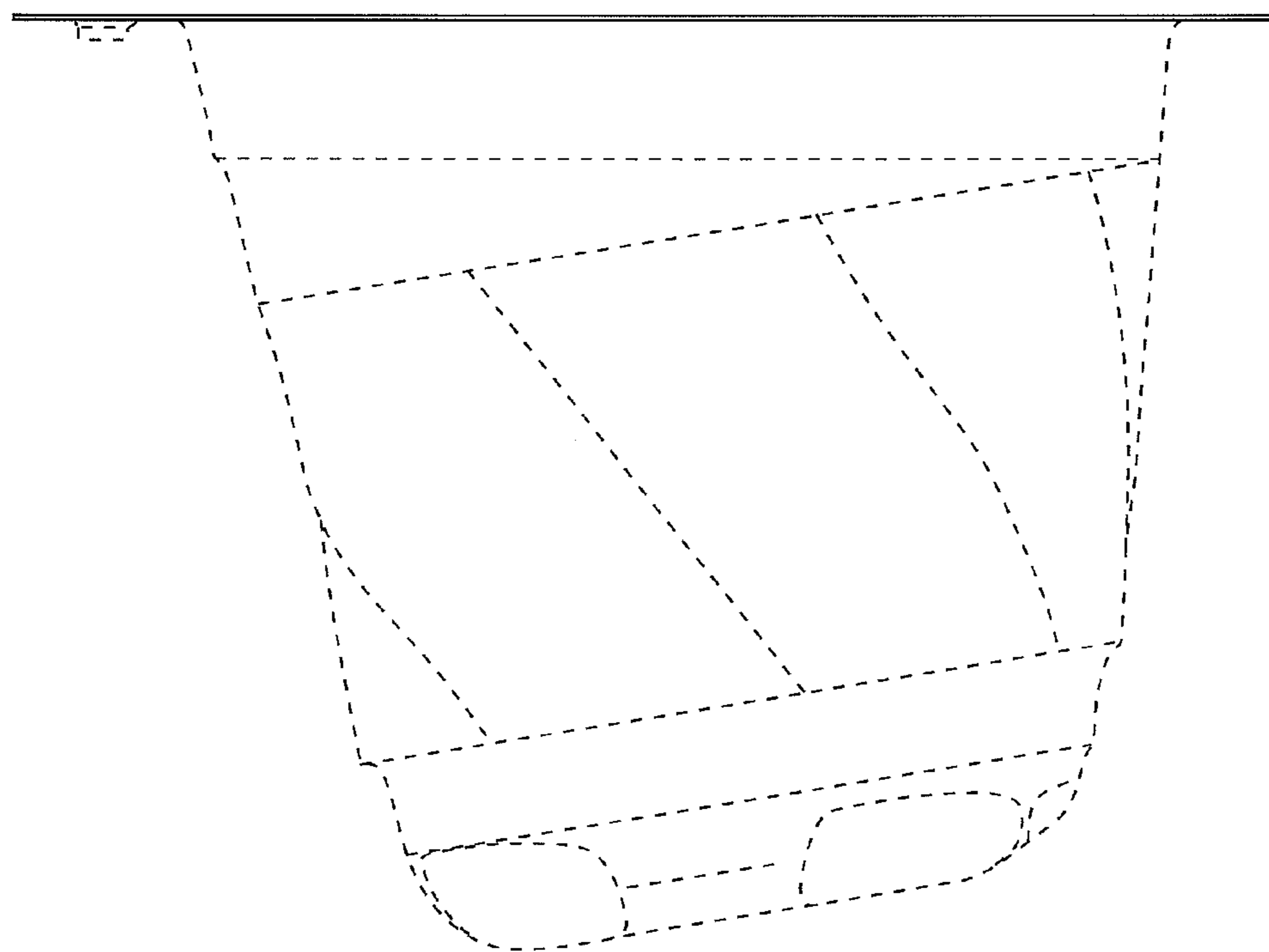


FIG. 2

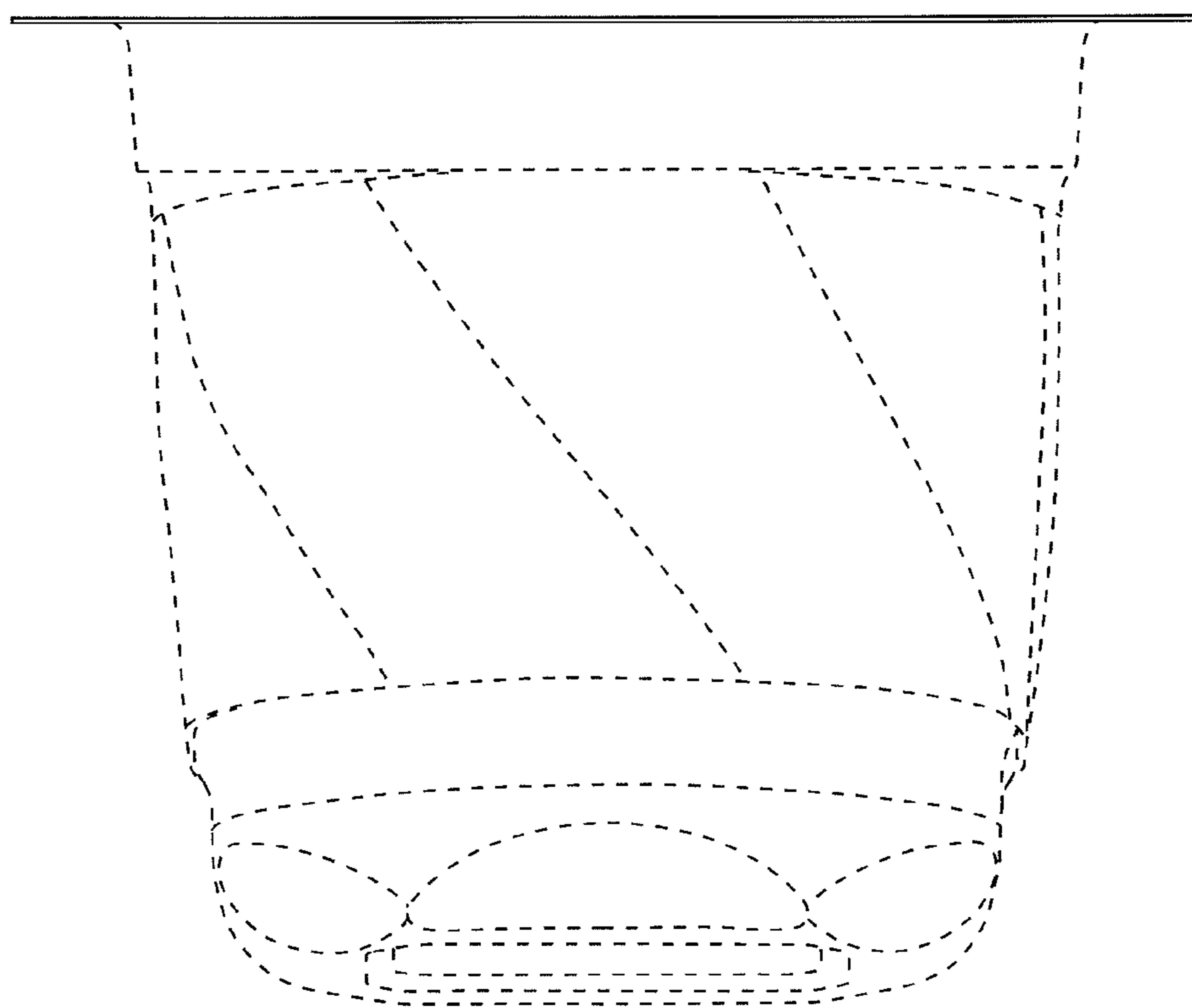


FIG. 3

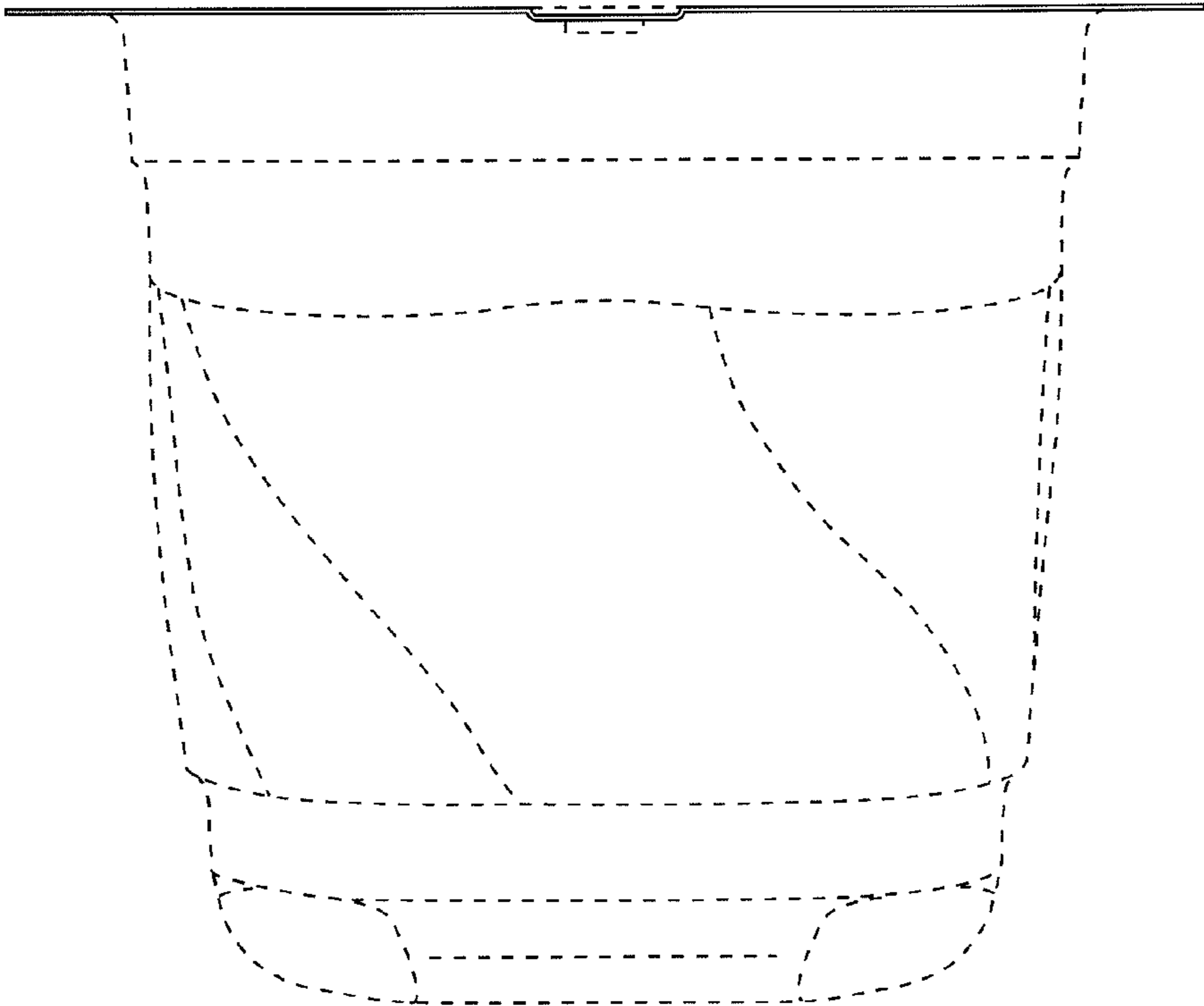


FIG. 4

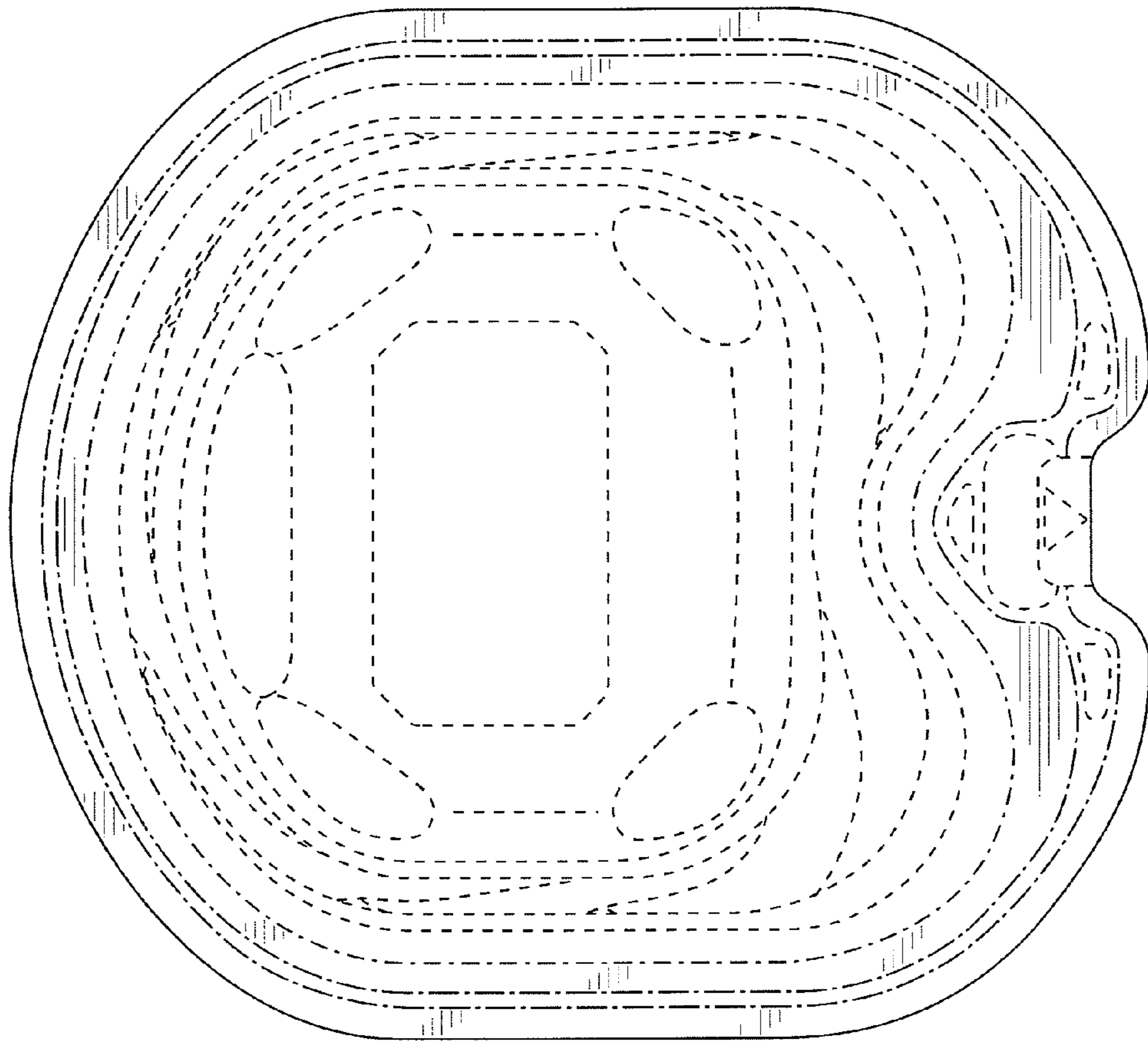


FIG. 5

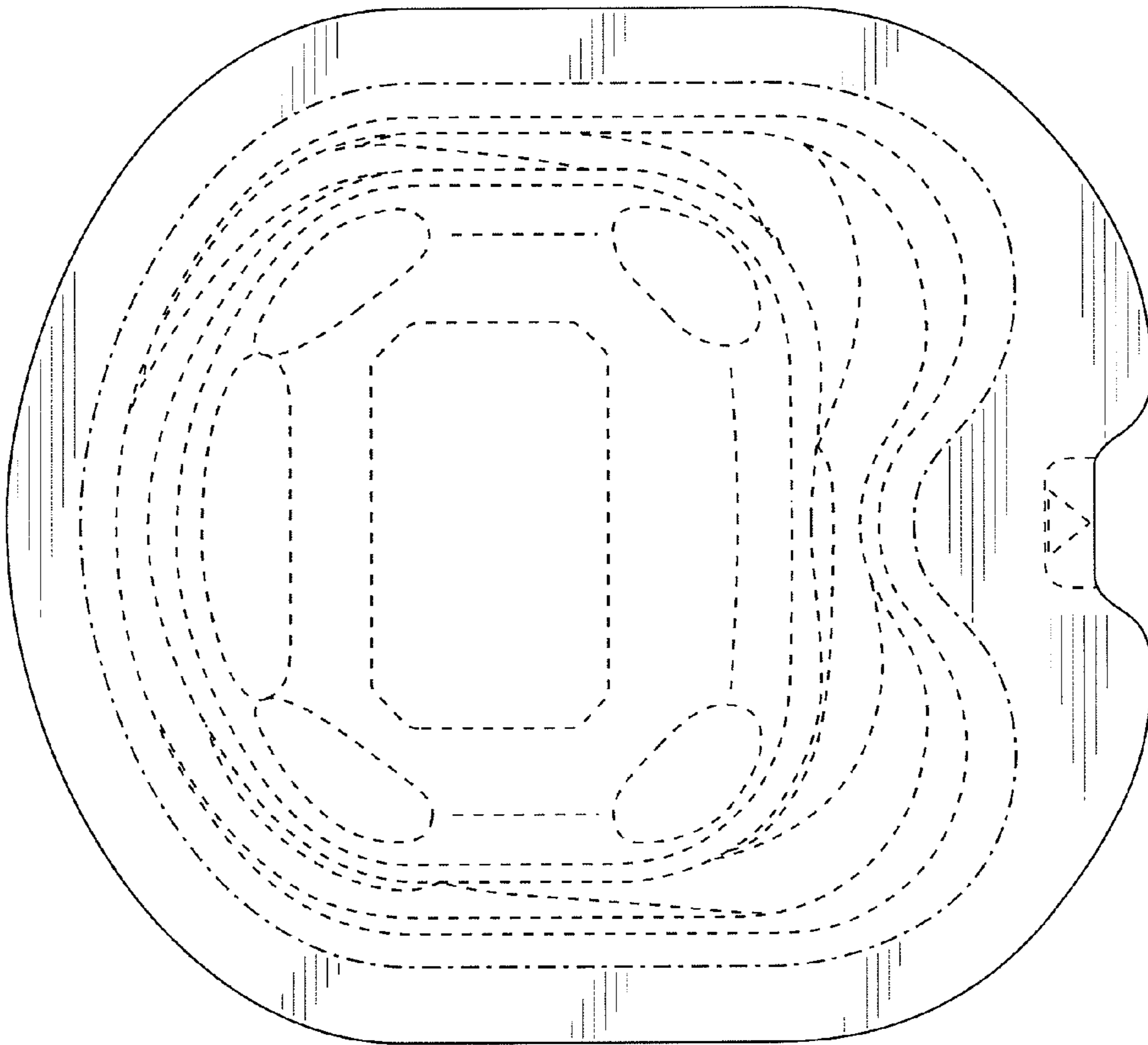


FIG. 6

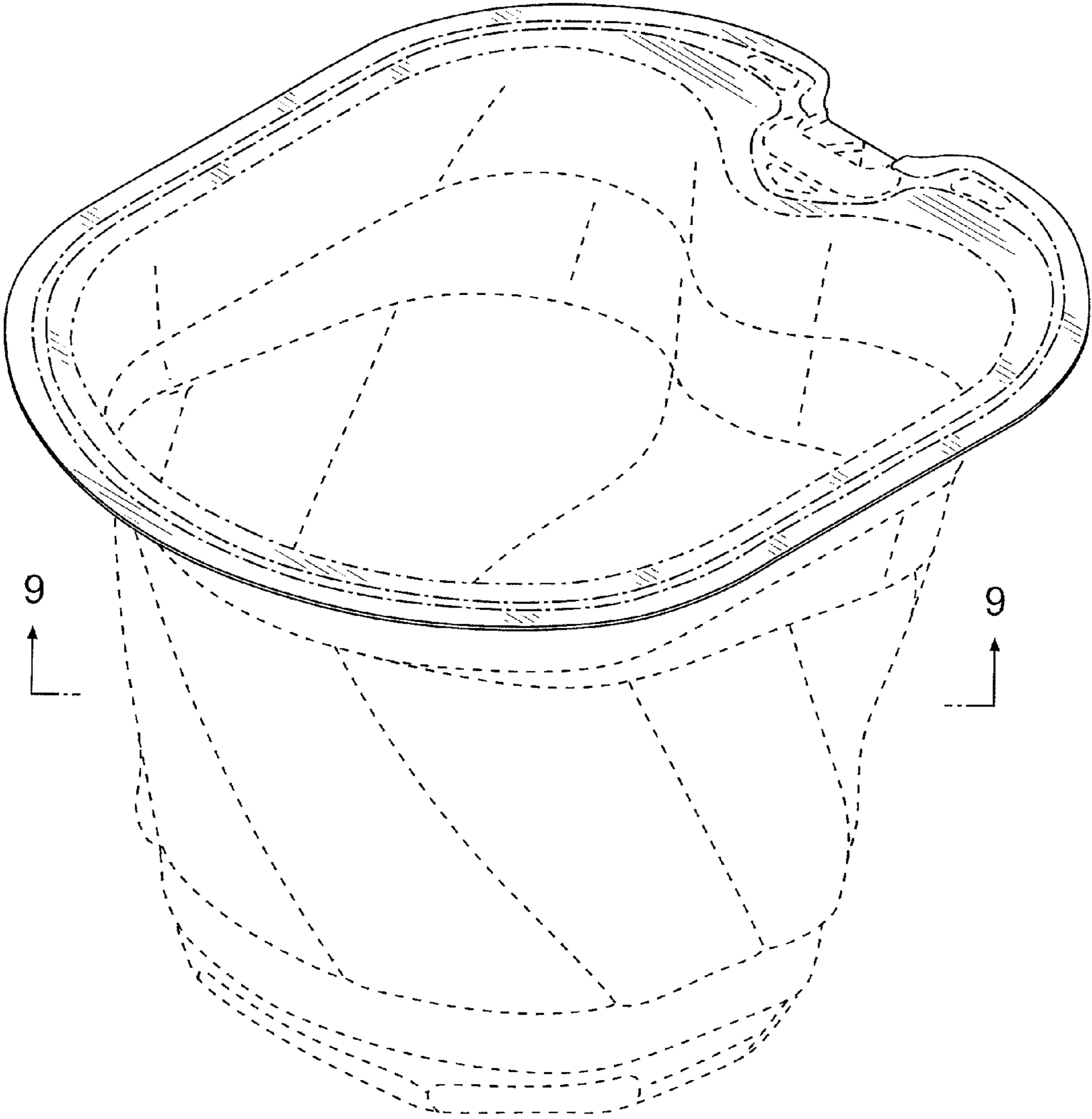


FIG. 7

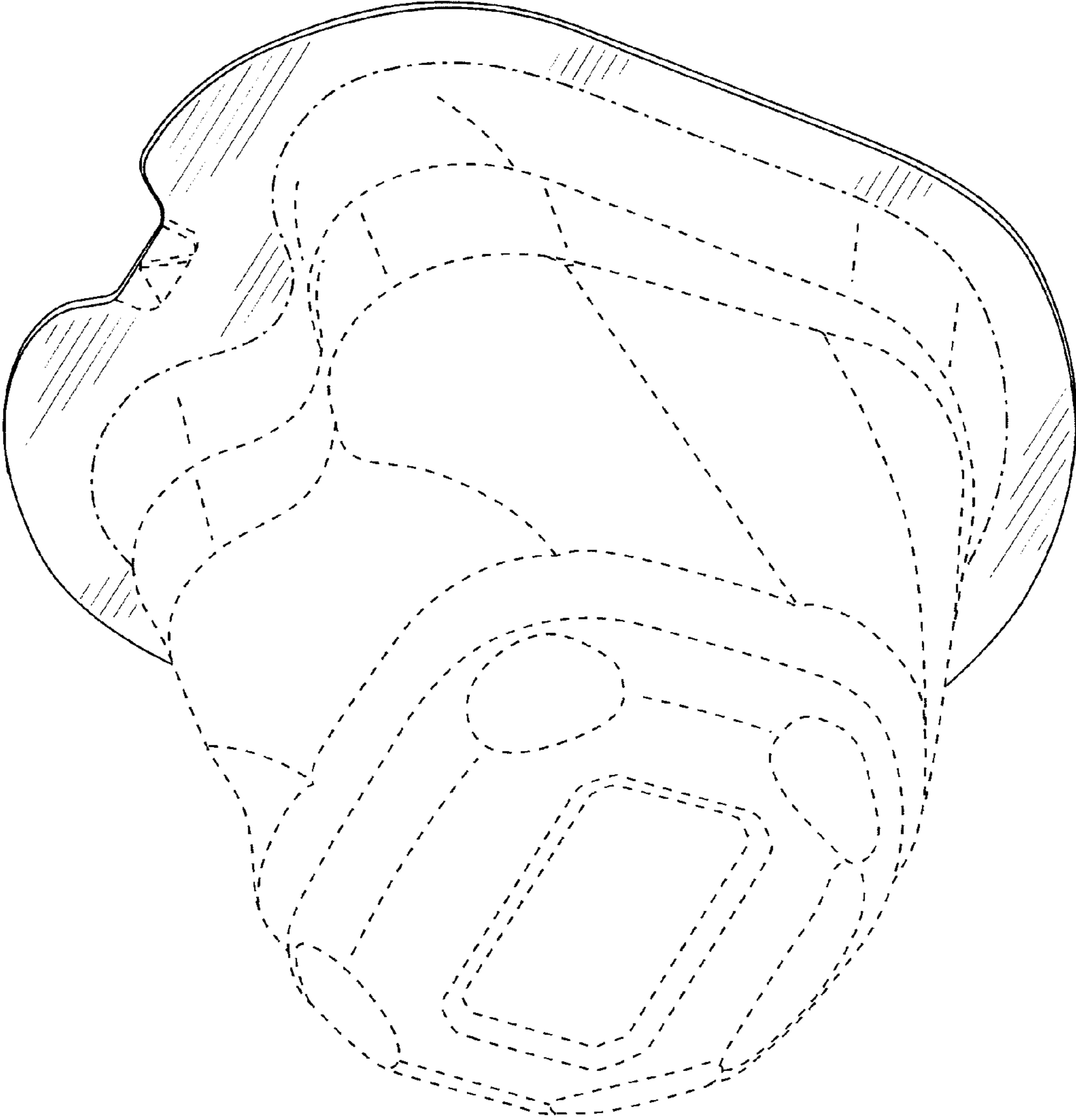


FIG. 8

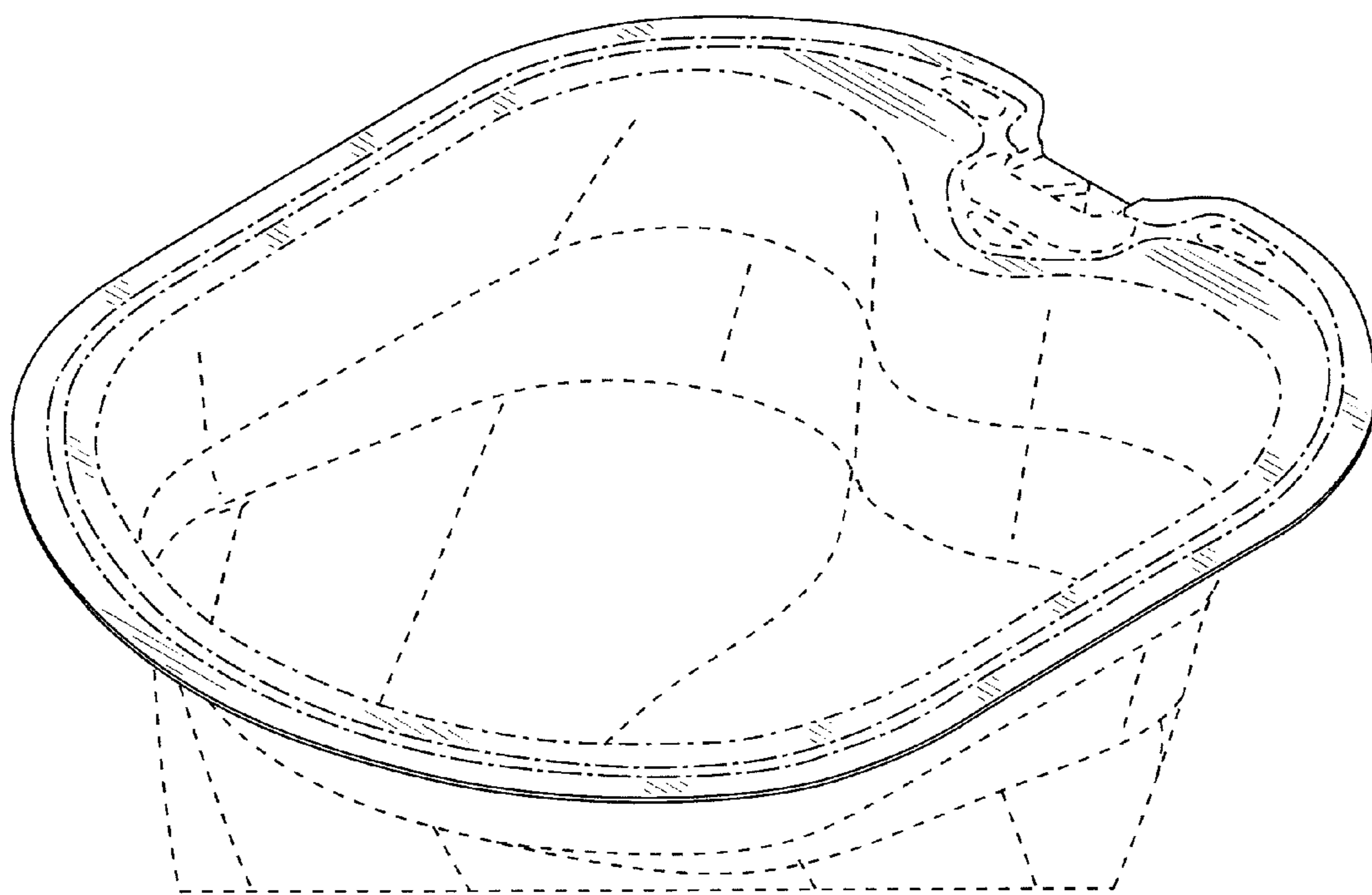


FIG. 9

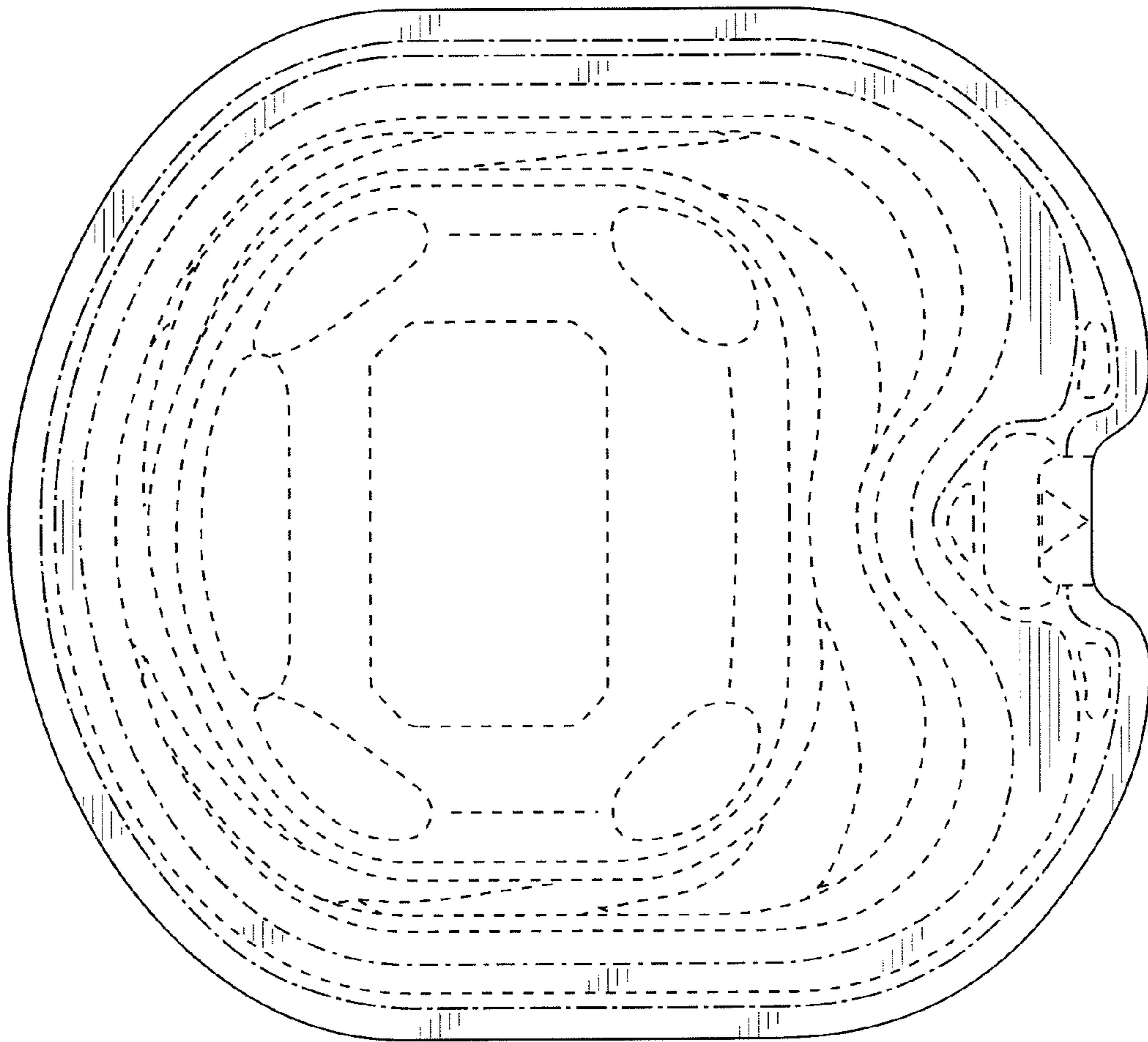


FIG. 10

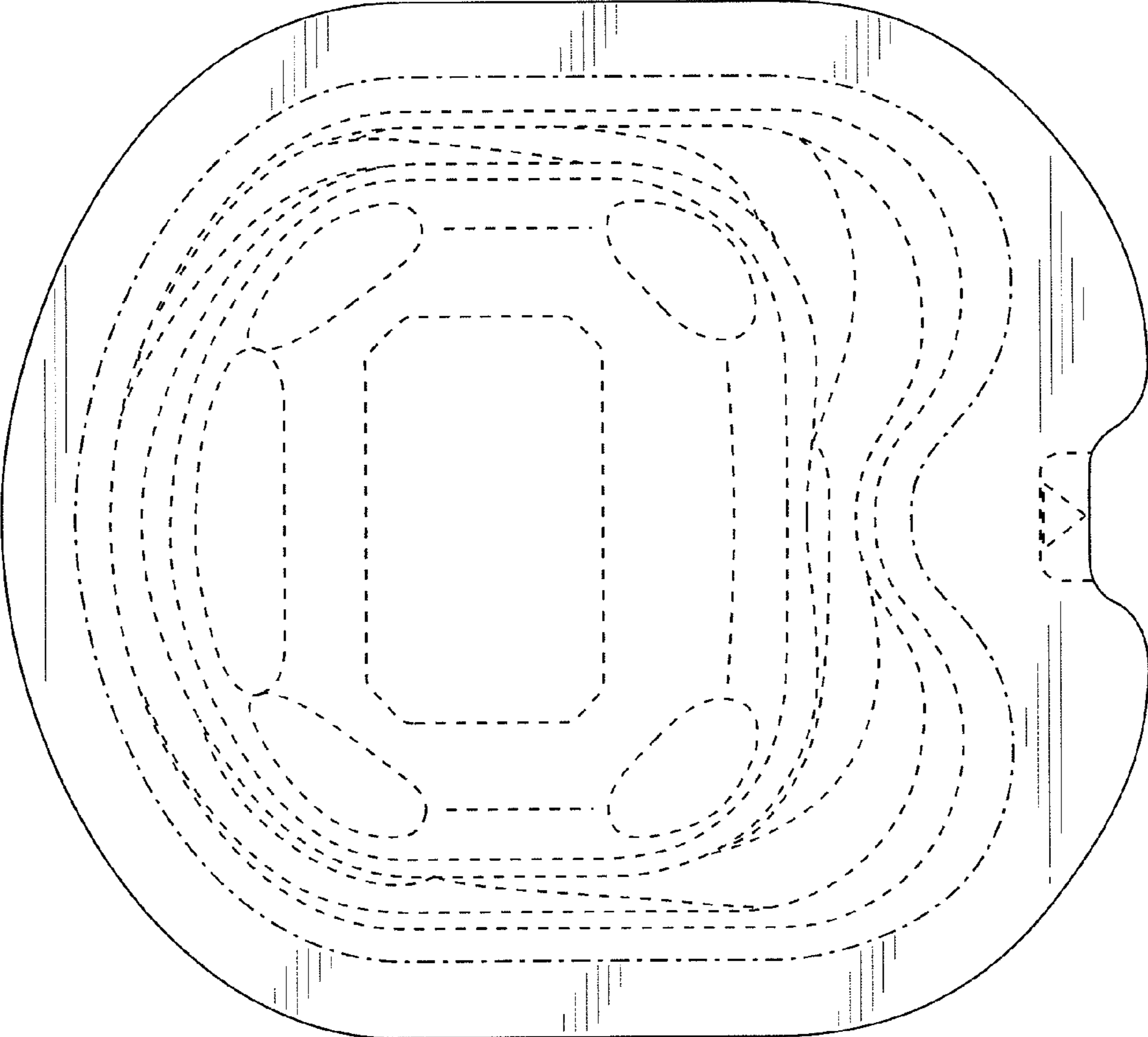


FIG. 11

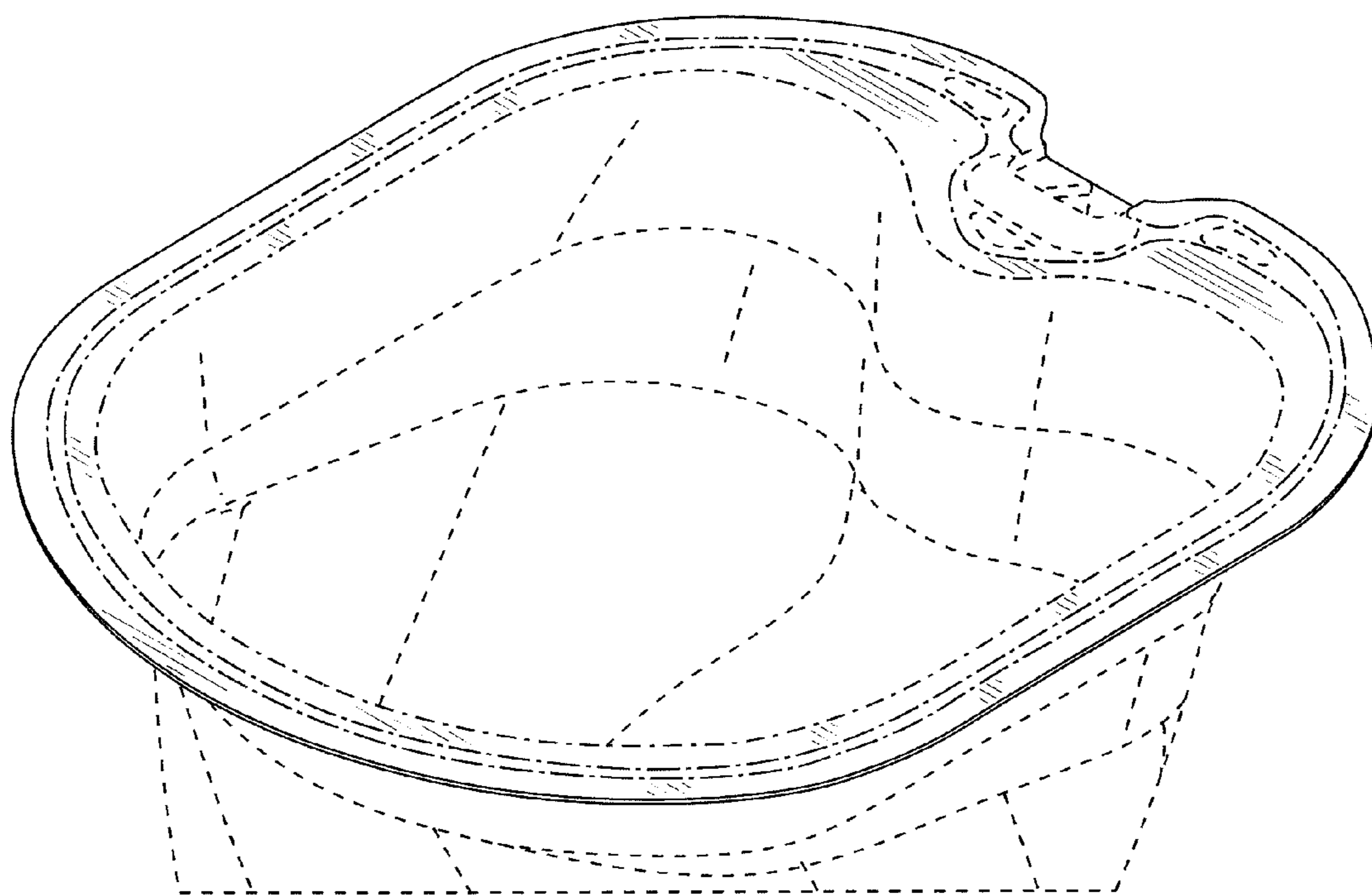


FIG. 12