



US00D757537S

(12) **United States Design Patent**
Trombetta

(10) **Patent No.:** **US D757,537 S**
(45) **Date of Patent:** **** May 31, 2016**

- (54) **CAPSULE**
- (71) Applicant: **2266170 Ontario Inc.**, Mississauga, Ontario (CA)
- (72) Inventor: **Liberatore A. Trombetta**, Ancaster (CA)
- (73) Assignee: **2266170 Ontario Inc.** (CA)
- (**) Term: **14 Years**
- (21) Appl. No.: **29/511,583**
- (22) Filed: **Dec. 11, 2014**
- (51) **LOC (10) Cl.** **09-03**
- (52) **U.S. Cl.**
USPC **D9/429**; D9/428
- (58) **Field of Classification Search**
USPC D9/414, 416, 418, 419, 423, 424, 425, D9/428, 434, 435, 438, 440, 447, 454, 499, D9/442, 444, 500, 501, 502, 503, 504, 505, D9/535, 544, 696, 715, 716, 733, 777; D7/509, 510, 511, 532, 538, 554.2, D7/309, 601, 602, 619.1, 665, 415, 900; 229/906.1, 405; 220/359.2; 206/216, 5, 206/222, 217, 548, 528, 532, 530; D3/202; 426/77, 80, 115, 122
CPC B65D 85/8043; B65D 85/8046; B65D 2565/385; B65D 2575/583; B65D 25/08; B65D 47/283; B65D 53/02; B65D 75/5883; B65D 81/18; B65D 81/3227; B65D 85/70
See application file for complete search history.

3,283,942 A 11/1966 Collie
3,527,020 A 9/1970 Mancini
D241,228 S 8/1976 Boduch

(Continued)

FOREIGN PATENT DOCUMENTS

CN 3102737 2/1999
CN 3102740 2/1999

(Continued)

OTHER PUBLICATIONS

U.S. Appl. No. 29/464,387, titled "Capsule," filed Aug. 15, 2013. (unpublished).

(Continued)

Primary Examiner — Philip S Hyder

Assistant Examiner — Keith Frank

(74) *Attorney, Agent, or Firm* — Saidman DesignLaw Group, LLC

(57)

CLAIM

The ornamental design for a capsule, as shown and described.

DESCRIPTION

FIG. 1 is a front perspective view of a capsule showing my new design;

FIG. 2 is a rear perspective view thereof;

FIG. 3 is a left side view thereof;

FIG. 4 is a front view thereof;

FIG. 5 is a right side view thereof;

FIG. 6 is a rear view thereof;

FIG. 7 is a top view thereof; and,

FIG. 8 is bottom view thereof.

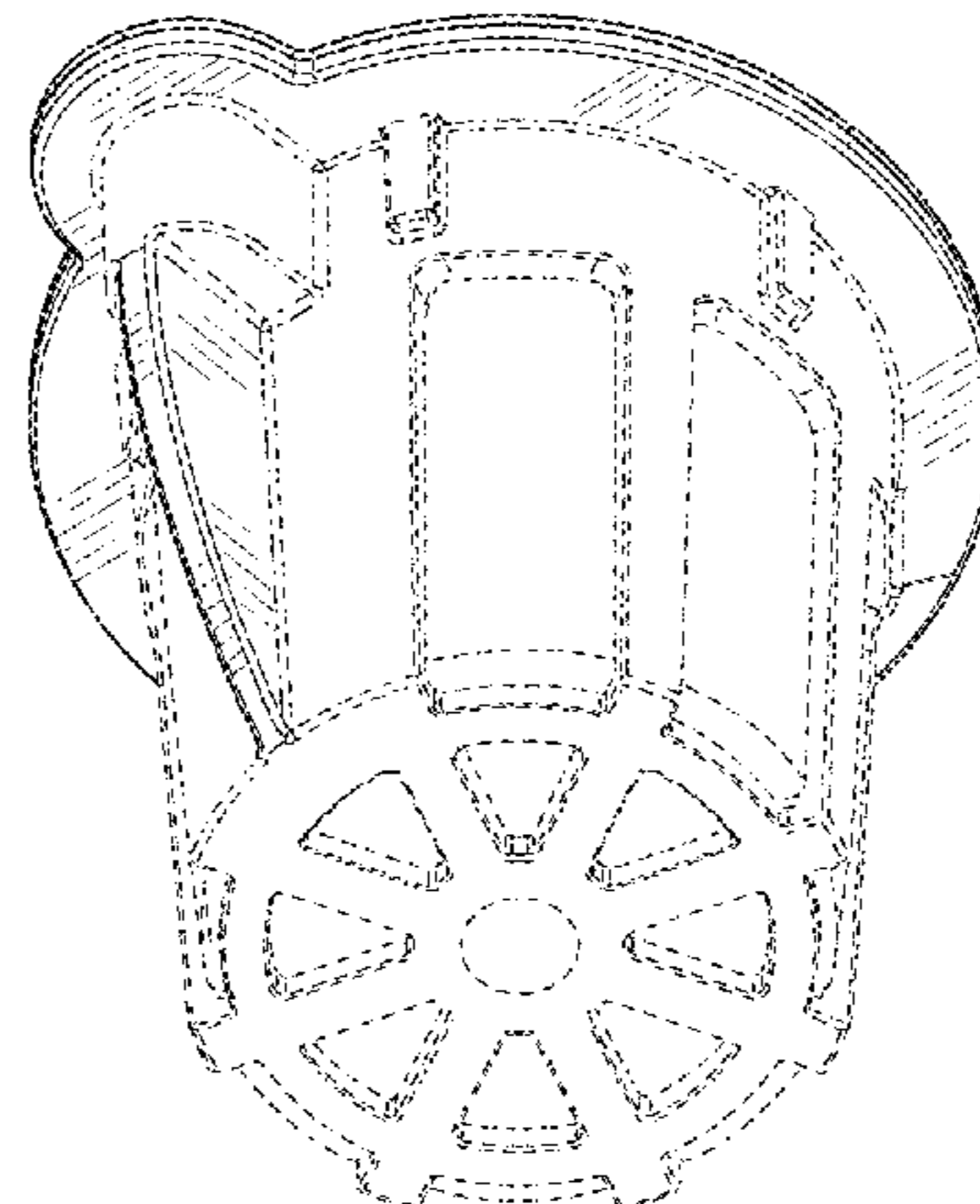
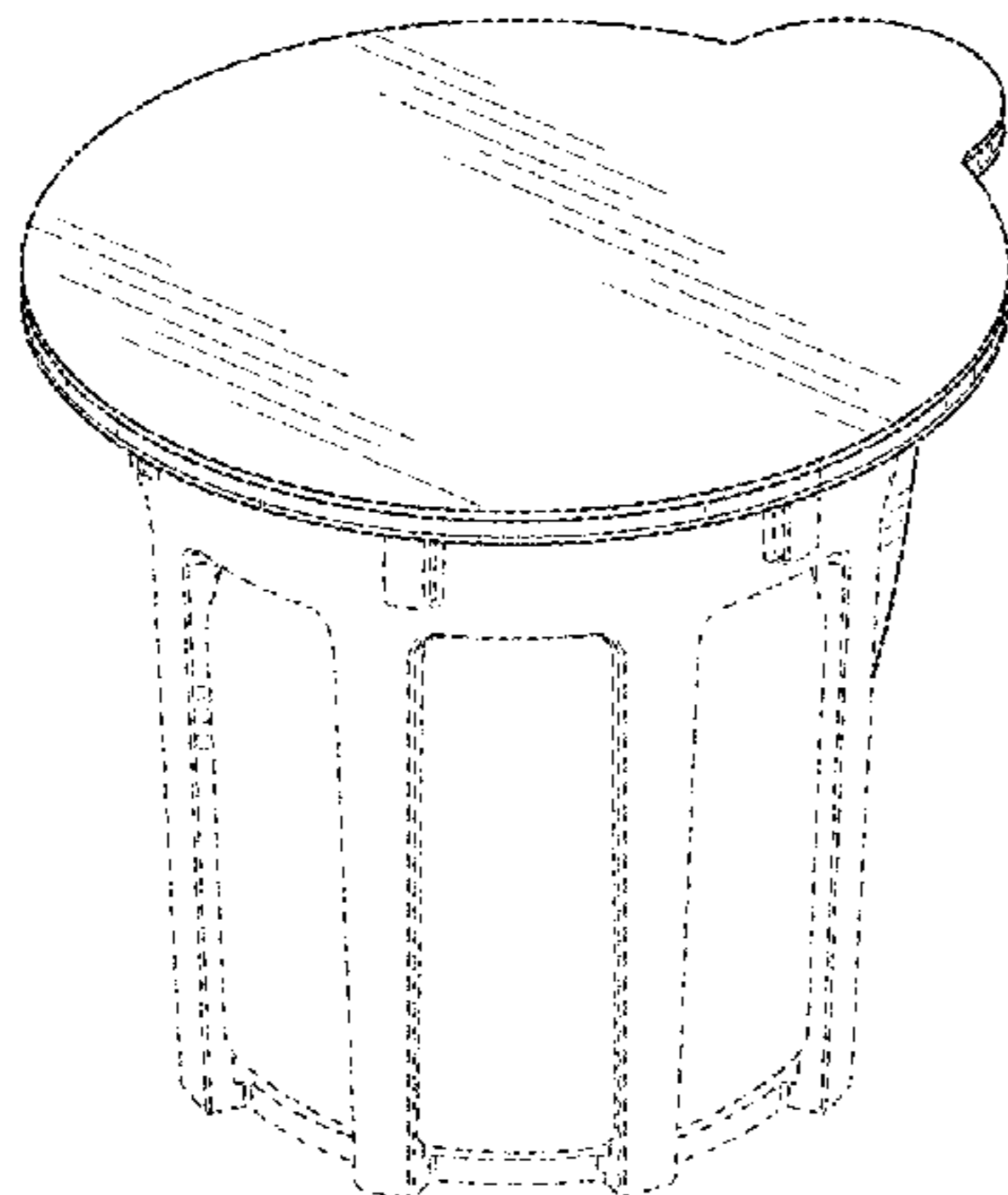
The drawings include surface shading lines which represent contour, not surface ornamentation. The dashed broken lines represent structure or features that form no part of the claimed design. The dot-dash broken lines represent boundaries of the claimed design; the boundaries themselves form no part of the claimed design.

1 Claim, 3 Drawing Sheets

(56) **References Cited**

U.S. PATENT DOCUMENTS

D4,260 S	7/1870	Doyle
2,828,789 A	8/1955	Groendyk et al.
2,960,257 A	4/1959	Sasse
2,919,844 A	1/1960	Anderson
3,128,029 A	4/1964	Price et al.
3,180,537 A	4/1965	Collins



(56)

References Cited

U.S. PATENT DOCUMENTS

D244,063 S 4/1977 Christian
 4,020,969 A 5/1977 Ando
 D245,672 S 9/1977 Grantham
 D247,548 S 3/1978 Crary
 D249,645 S 9/1978 Tedesco
 4,213,539 A 7/1980 Reuter
 4,215,797 A 8/1980 Chen
 D258,350 S 2/1981 Scott et al.
 D259,625 S 6/1981 Hamilton et al.
 D263,447 S 3/1982 Brown
 D280,075 S 8/1985 Haag, Sr.
 D280,076 S 8/1985 Haag, Sr.
 4,684,015 A 8/1987 Vezirian et al.
 D296,525 S 7/1988 Siegel
 D312,400 S 11/1990 Schwaikert
 D321,477 S 11/1991 Gunter
 D334,113 S 3/1993 Lewis et al.
 5,265,745 A 11/1993 Pereyra et al.
 5,372,268 A 12/1994 Han
 5,456,351 A 10/1995 Johnson
 D400,397 S 11/1998 Stephan
 5,860,544 A 1/1999 Brucker
 D416,796 S 11/1999 Smith
 6,237,777 B1 5/2001 Bierly
 D445,674 S 7/2001 Pritchett
 D452,433 S 12/2001 Lazaris
 D452,434 S 12/2001 Sweeney
 D467,800 S 12/2002 Chen et al.
 D473,788 S 4/2003 Chen et al.
 D474,110 S 5/2003 Sweeney
 D474,111 S 5/2003 Lazaris
 D501,368 S 2/2005 Roth et al.
 D502,362 S 3/2005 Lazaris et al.
 D532,298 S 11/2006 Vogel
 D532,691 S 11/2006 Vogel
 D536,579 S 2/2007 Roth et al.
 D559,623 S 1/2008 Schellenberg
 D568,156 S 5/2008 Wilson et al.
 D572,133 S 7/2008 Wilson et al.
 D577,253 S 9/2008 Bodum
 D577,288 S 9/2008 Wilson et al.
 D604,157 S 11/2009 Reiterer et al.
 D606,363 S 12/2009 Aardenburg
 D608,499 S 1/2010 Hodgson et al.
 D632,563 S 2/2011 Sitabkhan et al.
 D635,399 S 4/2011 DelVecchio
 D637,484 S 5/2011 Winkler
 D642,055 S 7/2011 Schedl et al.
 D642,454 S 8/2011 Santoiemmo
 D642,455 S 8/2011 Santoiemmo
 D642,463 S 8/2011 Schedl et al.
 D646,968 S 10/2011 Ortiz et al.
 D647,398 S 10/2011 Winkler
 D647,399 S 10/2011 Winkler
 D650,269 S 12/2011 Berggren
 D651,508 S 1/2012 Layfield
 D652,266 S 1/2012 Smyers
 D656,009 S 3/2012 Ortiz et al.
 D656,010 S 3/2012 Ortiz et al.
 D658,493 S 5/2012 Cometto
 D671,831 S 12/2012 Moreau
 D675,091 S 1/2013 Cook et al.
 8,381,935 B1 2/2013 Buck
 D684,048 S * 6/2013 Hodge et al. D9/429
 D685,263 S 7/2013 Danenberg
 D686,496 S 7/2013 Sträuli
 D686,916 S 7/2013 O'Brien
 D687,297 S 8/2013 O'Brien et al.
 D689,768 S 9/2013 Inderbitzin
 D695,110 S 12/2013 Houlton et al.
 D695,111 S * 12/2013 Hansen et al. D9/429
 D697,797 S * 1/2014 Hansen D9/429
 D698,649 S 2/2014 Quint
 D699,566 S 2/2014 De Prà
 D700,839 S 3/2014 O'Brien et al.

D703,035 S 4/2014 Zanetti
 D703,039 S 4/2014 Hansen
 D705,057 S 5/2014 Brunner
 D711,742 S 8/2014 Humm et al.
 D715,649 S 10/2014 O'Brien
 D716,648 S 11/2014 Tan
 D721,536 S * 1/2015 Advani D7/400
 8,950,315 B2 * 2/2015 Lai et al. 99/286
 8,962,049 B2 * 2/2015 Doleac et al. 426/77
 D723,868 S * 3/2015 Hertaus D7/400
 D726,537 S 4/2015 Trombetta
 9,003,958 B2 * 4/2015 Scrivani 99/295
 D730,174 S 5/2015 O'Brien
 D731,884 S 6/2015 Trombetta
 D731,890 S * 6/2015 Trombetta D9/500
 D732,390 S * 6/2015 Trombetta D9/500
 D732,949 S * 6/2015 Schroeder et al. D9/416
 D733,554 S * 7/2015 Rubinstein D9/416
 D734,985 S * 7/2015 Furia D7/400
 9,072,402 B2 * 7/2015 Ryser 1/1
 D736,621 S 8/2015 Ivancic
 2005/0218143 A1 10/2005 Niederer et al.
 2006/0151415 A1 7/2006 Smelko et al.
 2006/0207911 A1 9/2006 Bullock
 2007/0210092 A1 9/2007 Mazzarolo
 2009/0200301 A1 8/2009 Beekman et al.
 2010/0288131 A1 11/2010 Kilber et al.
 2011/0183048 A1 7/2011 Noble et al.
 2012/0201933 A1 * 8/2012 Dran et al. 426/80
 2012/0273373 A1 11/2012 Wu
 2013/0105340 A1 5/2013 Hother et al.
 2013/0136828 A1 5/2013 Anghileri
 2014/0120217 A1 5/2014 O'Brien et al.
 2014/0120218 A1 5/2014 O'Brien et al.
 2014/0161936 A1 * 6/2014 Trombetta et al. 426/77
 2014/0161937 A1 6/2014 Rondelli
 2014/0234494 A1 8/2014 Doglioni Majer
 2014/0308406 A1 10/2014 O'Brien et al.
 2014/0342059 A1 * 11/2014 Trombetta et al. 426/115
 2014/0377413 A1 12/2014 Liu
 2015/0001100 A1 1/2015 Bartoli et al.
 2015/0017290 A1 * 1/2015 Rondelli 426/115
 2015/0041475 A1 * 2/2015 Swamy 220/359.2
 2015/0064311 A1 * 3/2015 Fu et al. 426/80
 2015/0150409 A1 6/2015 Cross et al.
 2015/0166257 A1 * 6/2015 Trombetta 426/87
 2015/0191302 A1 * 7/2015 Gerbaulet et al. 426/425
 2015/0196159 A1 * 7/2015 Spiegel et al. 206/0.5
 2015/0201792 A1 * 7/2015 Doglioni Majer 99/302 R
 2015/0203285 A1 * 7/2015 Baldo 426/425
 2015/0209017 A1 * 7/2015 Fleming et al. 73/864.91

FOREIGN PATENT DOCUMENTS

CN 3102741 2/1999
 CN 3103590 2/1999
 CN 3336639 11/2003
 CN 3336640 11/2003
 CN 3336646 11/2003
 CN 3340286 12/2003
 CN 3386161 8/2004
 CN 3429241 3/2005
 CN 3442199 4/2005
 CN 3442205 4/2005
 CN 3448912 5/2005
 CN 3448913 5/2005
 CN 3469773 8/2005
 CN 3570660 10/2006
 CN 3597250 1/2007
 CN 3614944 2/2007
 CN 300707939 11/2007
 CN 300707940 11/2007
 CN 300707941 11/2007
 CN 300707942 11/2007
 CN 300710086 11/2007
 CN 300710087 11/2007
 CN 300710088 11/2007
 CN 300710089 11/2007
 CN 300815220 8/2008

(56)

References Cited

FOREIGN PATENT DOCUMENTS

CN	300833940	10/2008
CN	300843246	10/2008
CN	301347136	9/2010
CN	301437314	1/2011
CN	301505145	4/2011
CN	302041529	8/2012
CN	302141646	10/2012
CN	302141791	10/2012
CN	302297349	1/2013
CN	302370417	3/2013
CN	302439912	5/2013
EP	1243210 A1	9/2002
EP	2394932 A1	12/2011
EP	2973209	10/2012
EP	2520202 A1	11/2012
KR	300341422.0000	12/2006
WO	2008/071878	6/2008

OTHER PUBLICATIONS

U.S. Appl. No. 29/464,380, titled "Capsule," filed Aug. 15, 2013. (unpublished).

U.S. Appl. No. 29/464,384, titled "Capsule," filed Aug. 15, 2013. (unpublished).

U.S. Appl. No. 29/464,393, titled "Capsule," filed Aug. 15, 2013. (unpublished).

U.S. Appl. No. 29/464,395, titled "Capsule," filed Aug. 15, 2013. (unpublished).

U.S. Appl. No. 29/464,399, titled "Capsule," filed Aug. 15, 2013. (unpublished).

U.S. Appl. No. 29/464,397, titled "Capsule," filed Aug. 15, 2013. (unpublished).

U.S. Appl. No. 29/485,747, titled "Capsule," filed Mar. 21, 2014. (unpublished).

U.S. Appl. No. 29/485,783, titled "Capsule," filed Mar. 21, 2014. (unpublished).

U.S. Appl. No. 29/485,784, titled "Capsule and/or Logo," filed Mar. 21, 2014. (unpublished).

Diabetes Daily. Design Challenge 1. Mar. 21, 2011 [online], [site visited Oct. 14, 2014]. Available from Internet, <<http://www.diabetesdaily.com/voices/files/2012/05/DesChallenge1B-thumb-400x300-243712112.jpg>>.

Life with Muscular Dystrophy. Food Accessibility Nightmares. Mar. 2012 [online], [site visited Oct. 14, 2014]. Available from Internet, <<http://muscular dystrophybook.com/food-accessibility-is-a-problem>>.

Georgia Tech Research Institute. Contain Components and Variations. 2007 [online], [site visited Oct. 14, 2014]. Available from Internet, <http://usability.gtri.gatech.edu/images/bottles_components_inner_seals.jpg>.

Examiner Internet search URL, <<http://evewaspartiallyright.blogspot.com/2011/03/product-review-safeway-brand-greek.html>> [Date searched Mar. 3, 2015].

Examiner Internet search URL, <<http://www.soap.com/p/caribou-coffee-k-cup-coffee-mahogany-24-ct-155082>> [Date searched Mar. 3, 2015].

Examiner Internet search URL, <<http://depositphotos.com/10060401/stock-photo-k-cup-coffee-pods.html?sst=o&sqc=1&sqm=4&sq=36soav>> [Date searched Mar. 3, 2015].

Examiner Internet search URL, <<http://www.greenpackaging365.com/greenblog/?tag=bioplastics>> [Date searched Mar. 3, 2015].

Examiner Internet search URL, <<http://retaildesignblog.net/2012/07/04/artease-cafe-identify-by-splash-productions/>> [Date searched Mar. 3, 2015].

Examiner Internet search URL, <https://www.google.com/search?q=plastic+container+with+herbal+tea+leaves&biw=1280&bih=715&source=Int&tbs=cdr%3A1%2Ccd_min%3A%2Ccd_max%3A8%2F14%2F2013&tbm=isch#tbs=cdr:1%2Ccd_max:8%2F14%2F2013&tbm=isch&q=single+serve+cereal+container&imgcr=Da5vzYmdBRfM%3A> [Date searched Sep. 11, 2015].

Examiner Internet search URL, <https://www.google.com/search?q=herbal+tea+preparations&es_sm=122&biw=1280&bih=715&source=Int&tbs=cdr%3A1%2Ccd_min%3A%2Ccd_max%3A8%2F12%2o12&tbm=isch#imgcr=__> [Date searched Sep. 11, 2015].

Examiner Internet search URL, <<http://www.myherbalsales.com/208>> [Date searched Sep. 11, 2015].

* cited by examiner

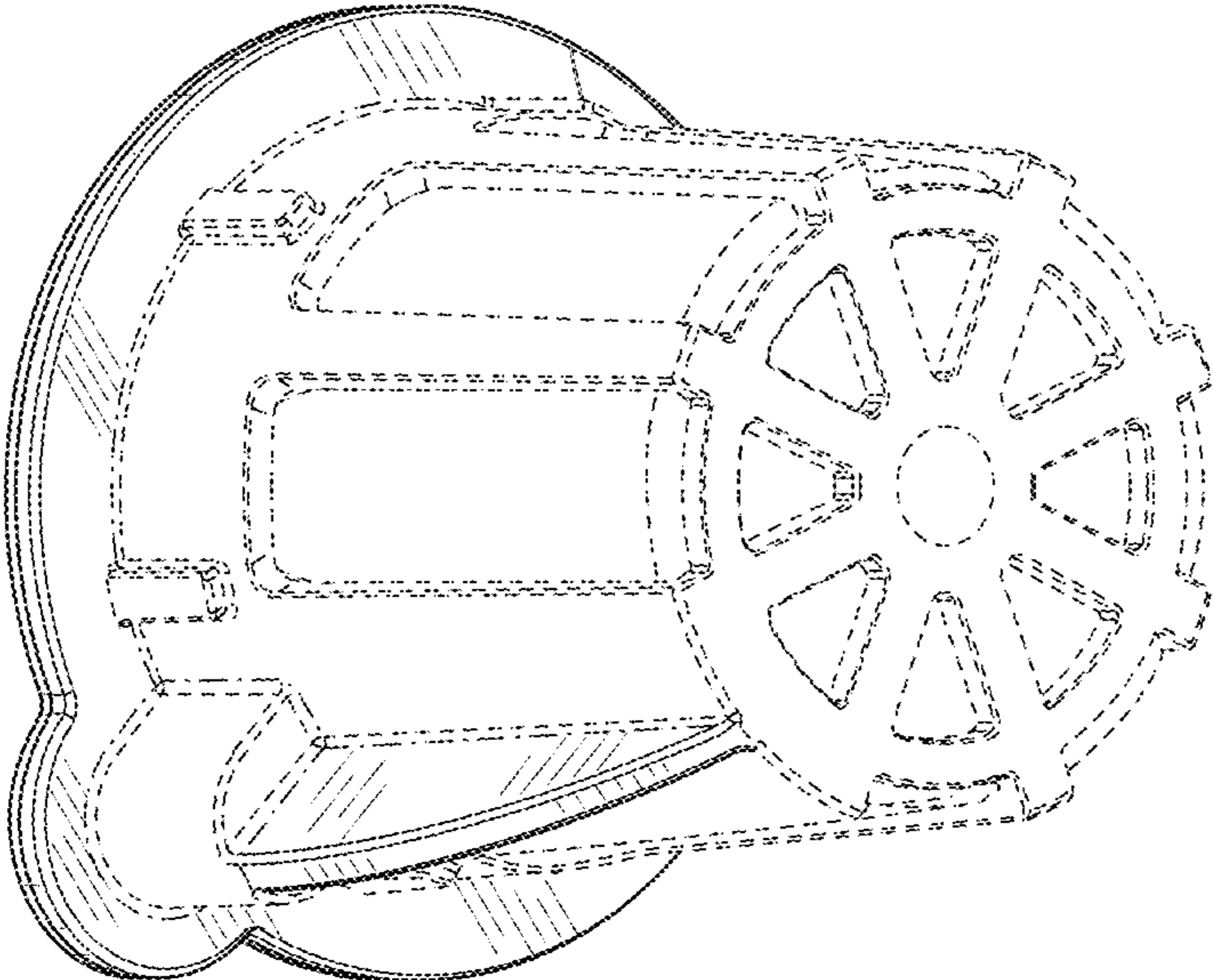


FIG. 2

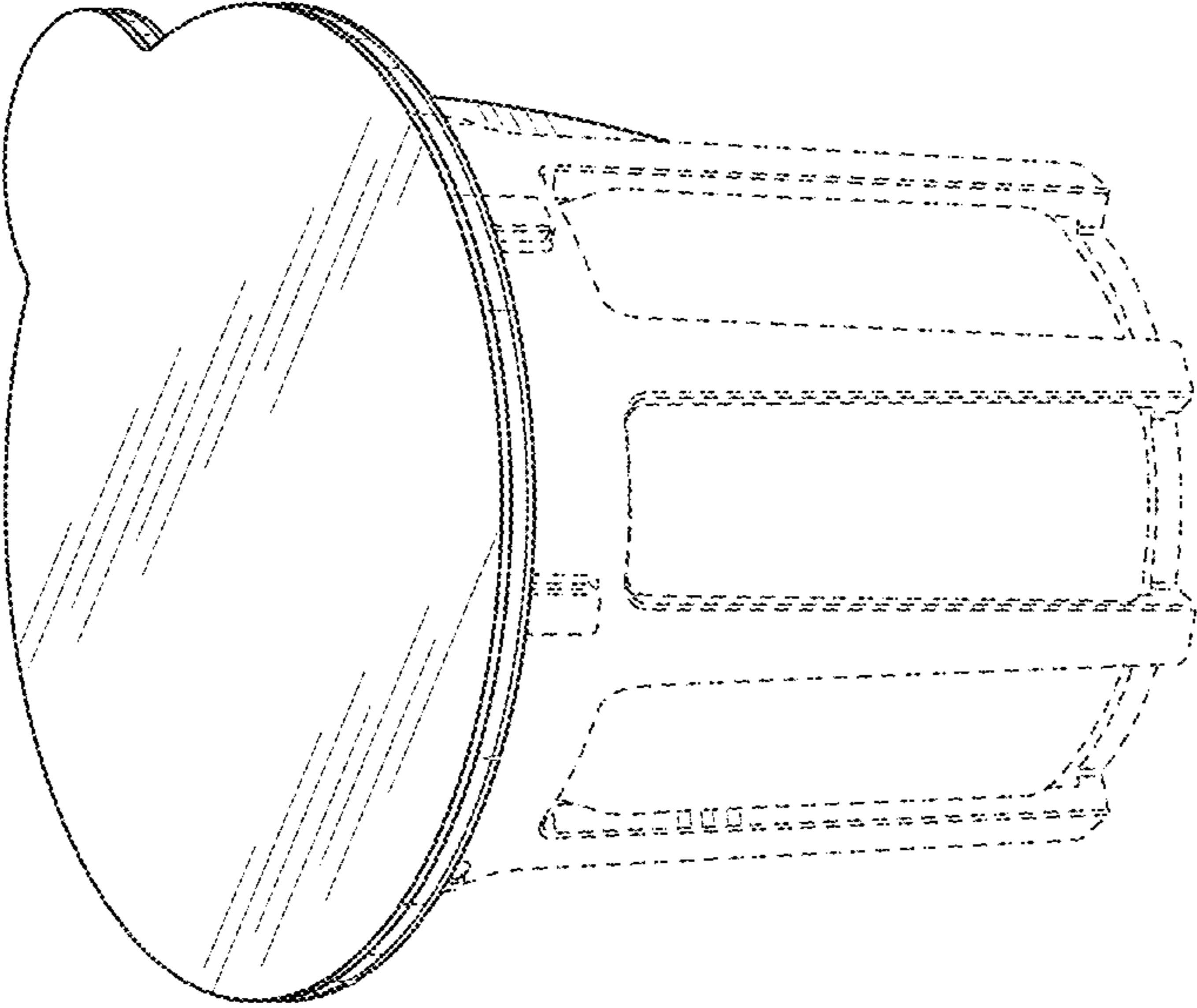


FIG. 1

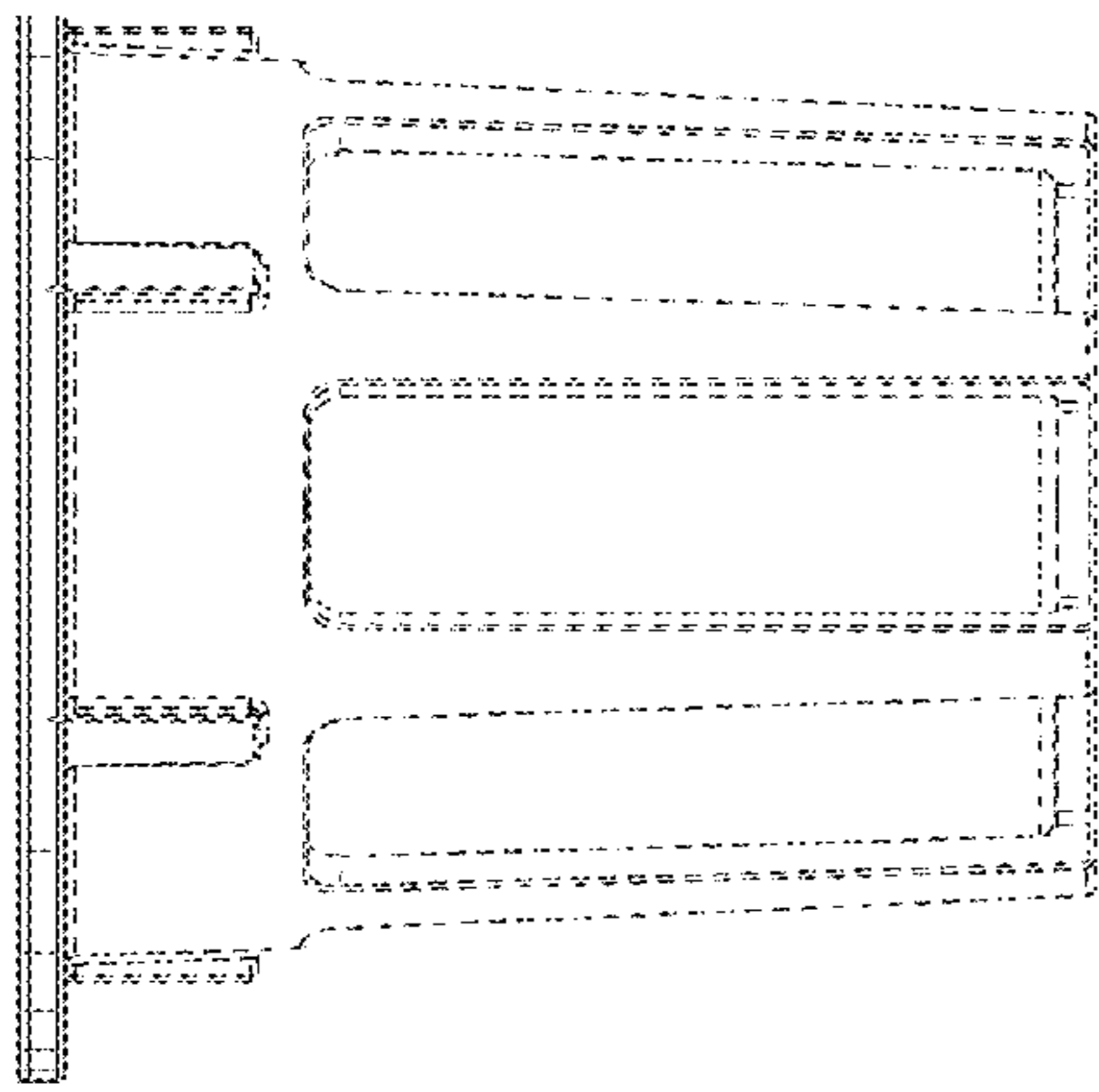


FIG. 3

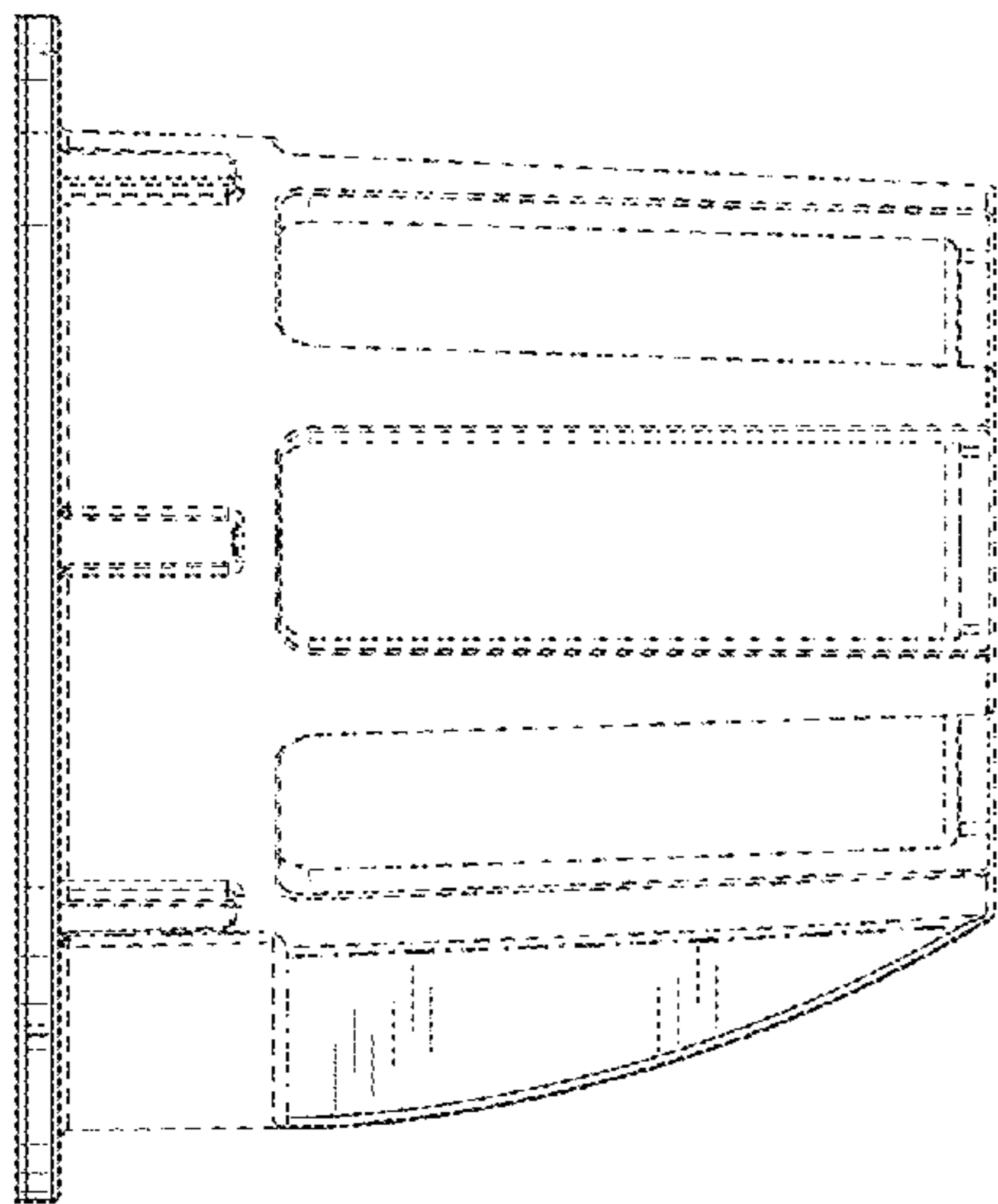


FIG. 4

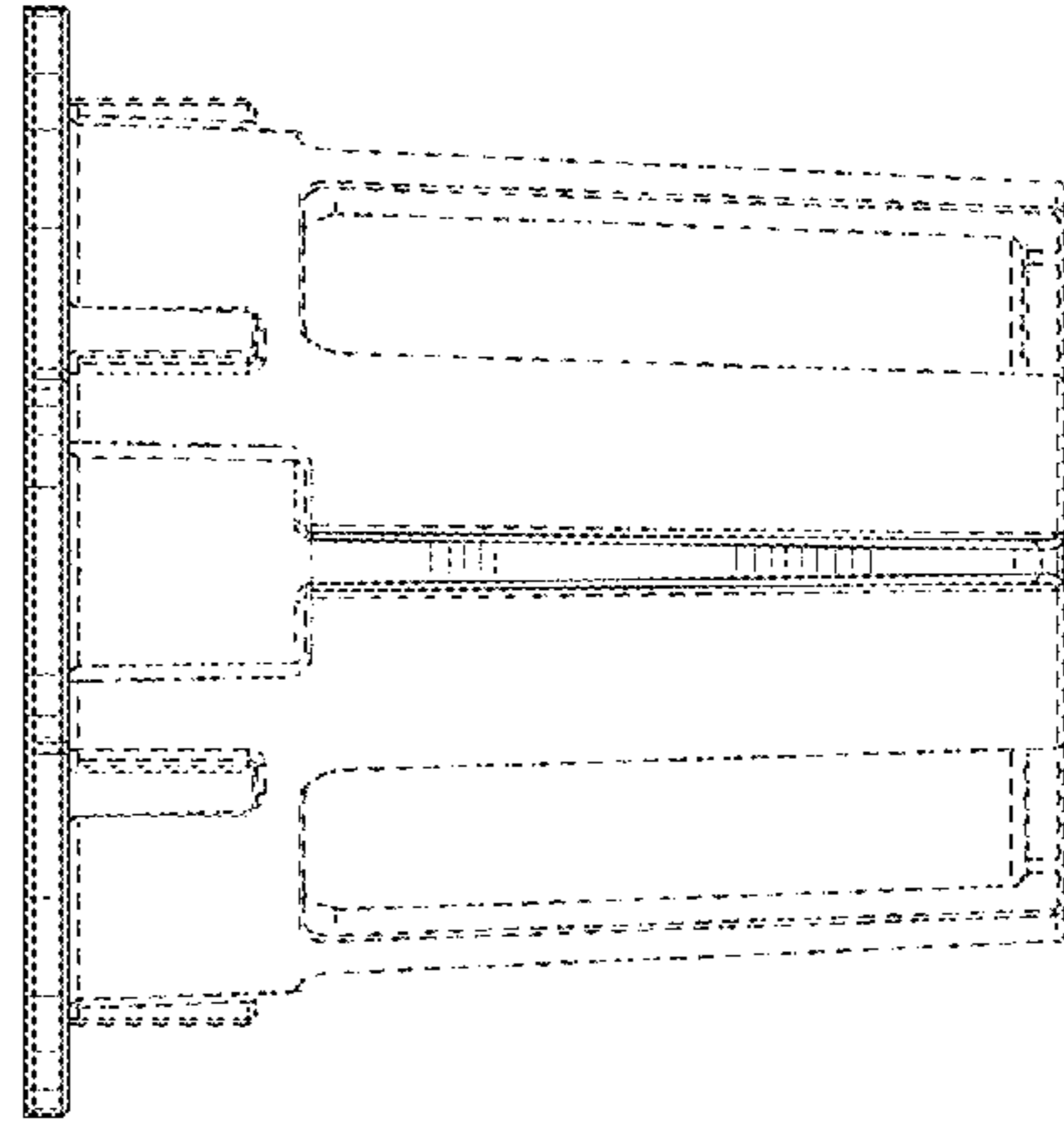


FIG. 5

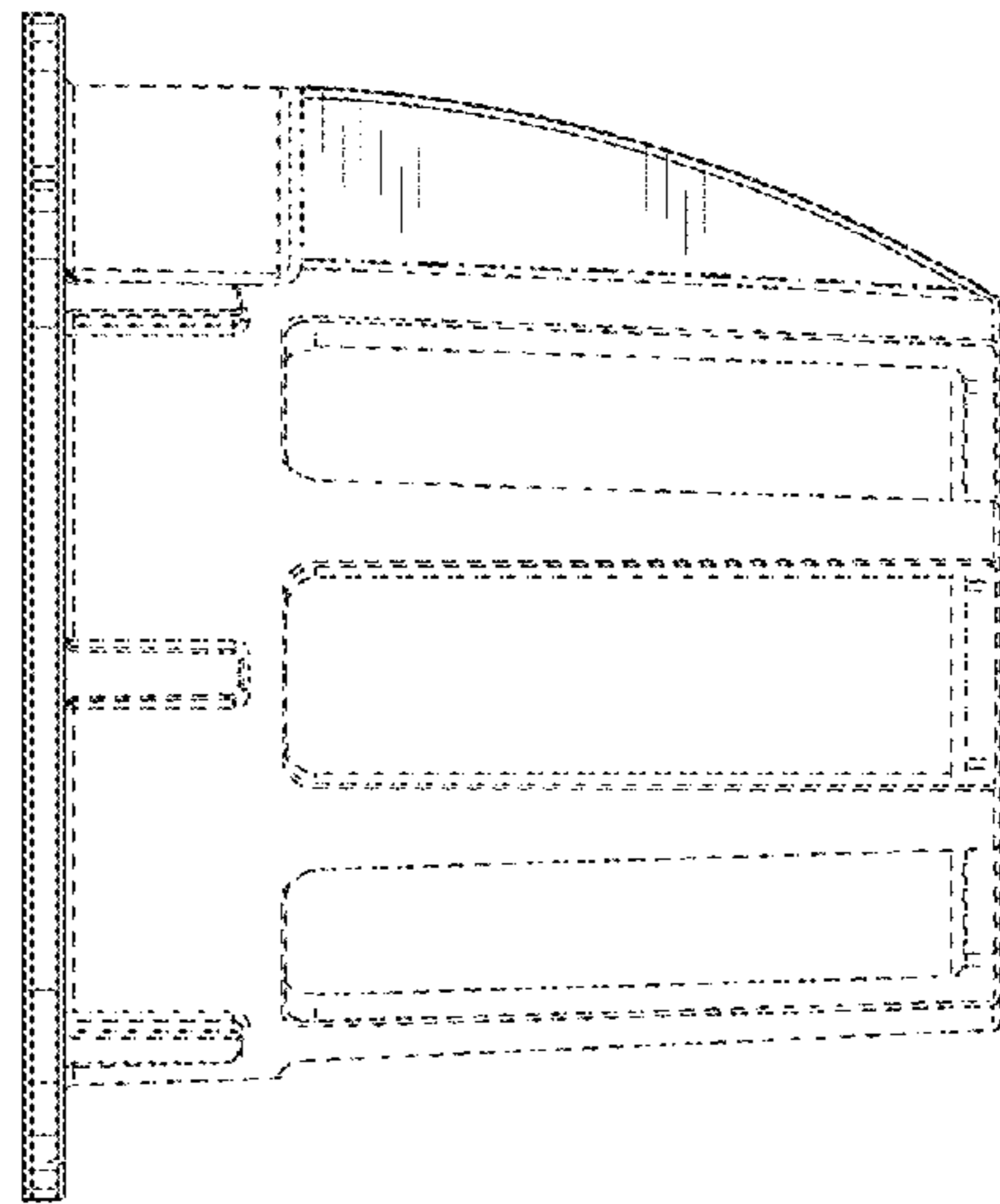


FIG. 6

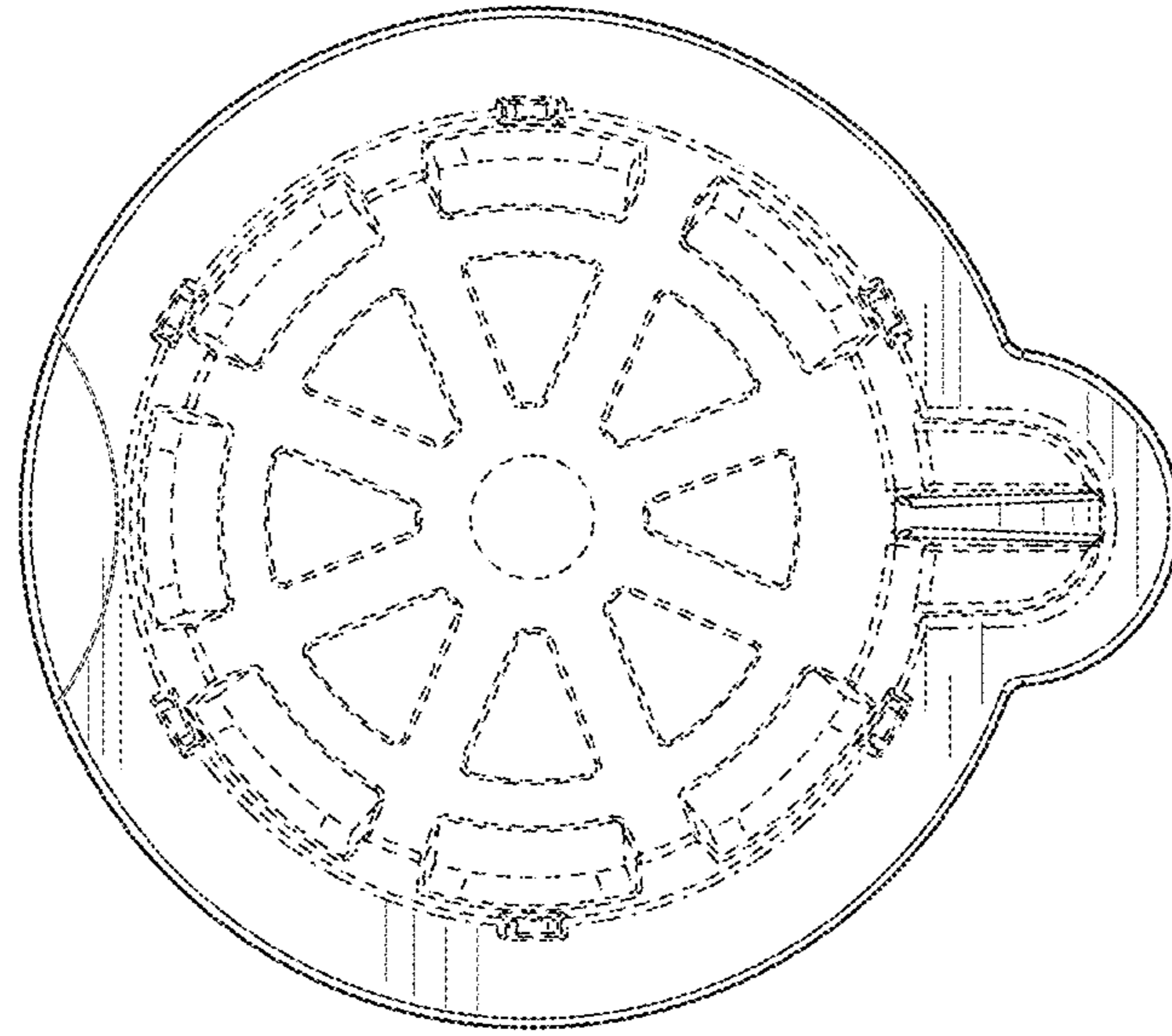


FIG. 8

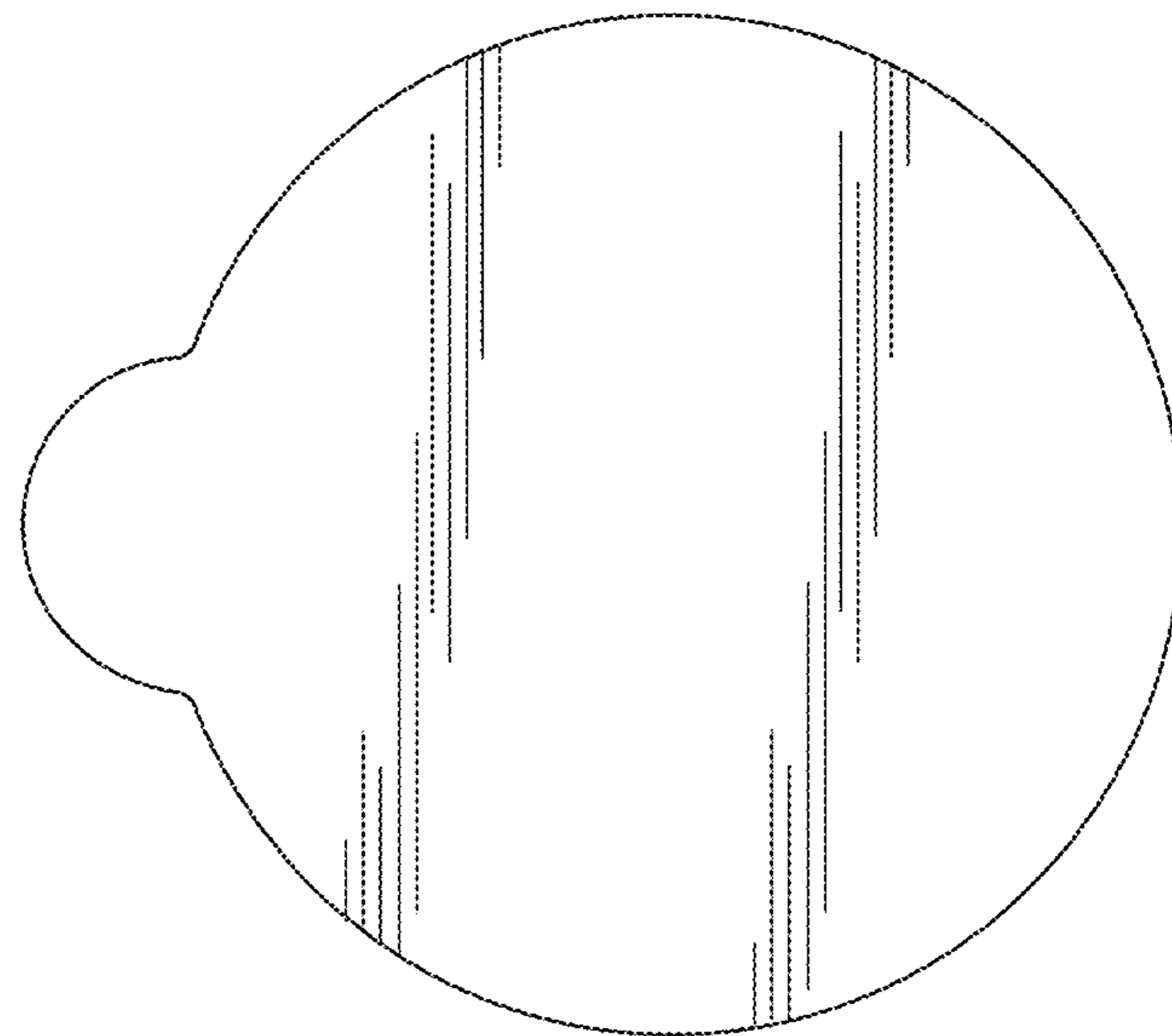


FIG. 7