



US00D757536S

(12) **United States Design Patent**
Norton et al.

(10) **Patent No.:** **US D757,536 S**
(45) **Date of Patent:** **** May 31, 2016**

(54) **CONTAINER**

(71) Applicant: **Kraft Foods Group Brands LLC**,
Northfield, IL (US)

(72) Inventors: **Mark Richard Thomas Norton**, White
Plains, NY (US); **Piaras Valdis de Cleir**,
Marietta, GA (US)

(73) Assignee: **Kraft Foods Group Brands LLC**,
Chicago, IL (US)

(**) Term: **14 Years**

(21) Appl. No.: **29/504,016**

(22) Filed: **Oct. 1, 2014**

(51) **LOC (10) Cl.** **09-03**

(52) **U.S. Cl.**
USPC **D9/429**

(58) **Field of Classification Search**
USPC D9/414, 416, 424, 425, 427, 428, 429,
D9/434, 435, 438, 440, 453, 454, 456,
D9/500-505, 529, 530, 531, 538; 99/295;
426/77, 80, 86, 115, 431; 220/574,
220/573.1, 203.8, 359.1; D7/400, 677, 675,
D7/672, 584; 229/123.2; 210/473;
D11/152, 153
CPC B65D 2543/00092; B65D 2543/00296;
B65D 2543/00351; B65D 2543/00731; B65D
2543/00796; B65D 47/0847; B65D 85/8043;
B65D 85/8046; A47J 31/407; A47J 31/3676;
A47J 31/3623; A47J 31/22; A47J 31/0689
See application file for complete search history.

(56) **References Cited**

U.S. PATENT DOCUMENTS

2,088,181 A 7/1937 Swift, Jr.
2,778,739 A 1/1957 Rodth
3,070,275 A 12/1962 Bostrom

3,083,101 A 3/1963 Noury
D195,004 S 4/1963 Eicholtz
D195,005 S 4/1963 Eicholtz
D197,313 S 1/1964 Wanderer
3,128,029 A 4/1964 Price et al.
3,186,850 A 6/1965 Anthony

(Continued)

FOREIGN PATENT DOCUMENTS

CA 2421128 9/2003
CA 2674483 7/2008

(Continued)

Primary Examiner — Philip S Hyder

Assistant Examiner — Keith Frank

(74) *Attorney, Agent, or Firm* — Fitch, Even, Tabin &
Flannery LLP

(57) **CLAIM**

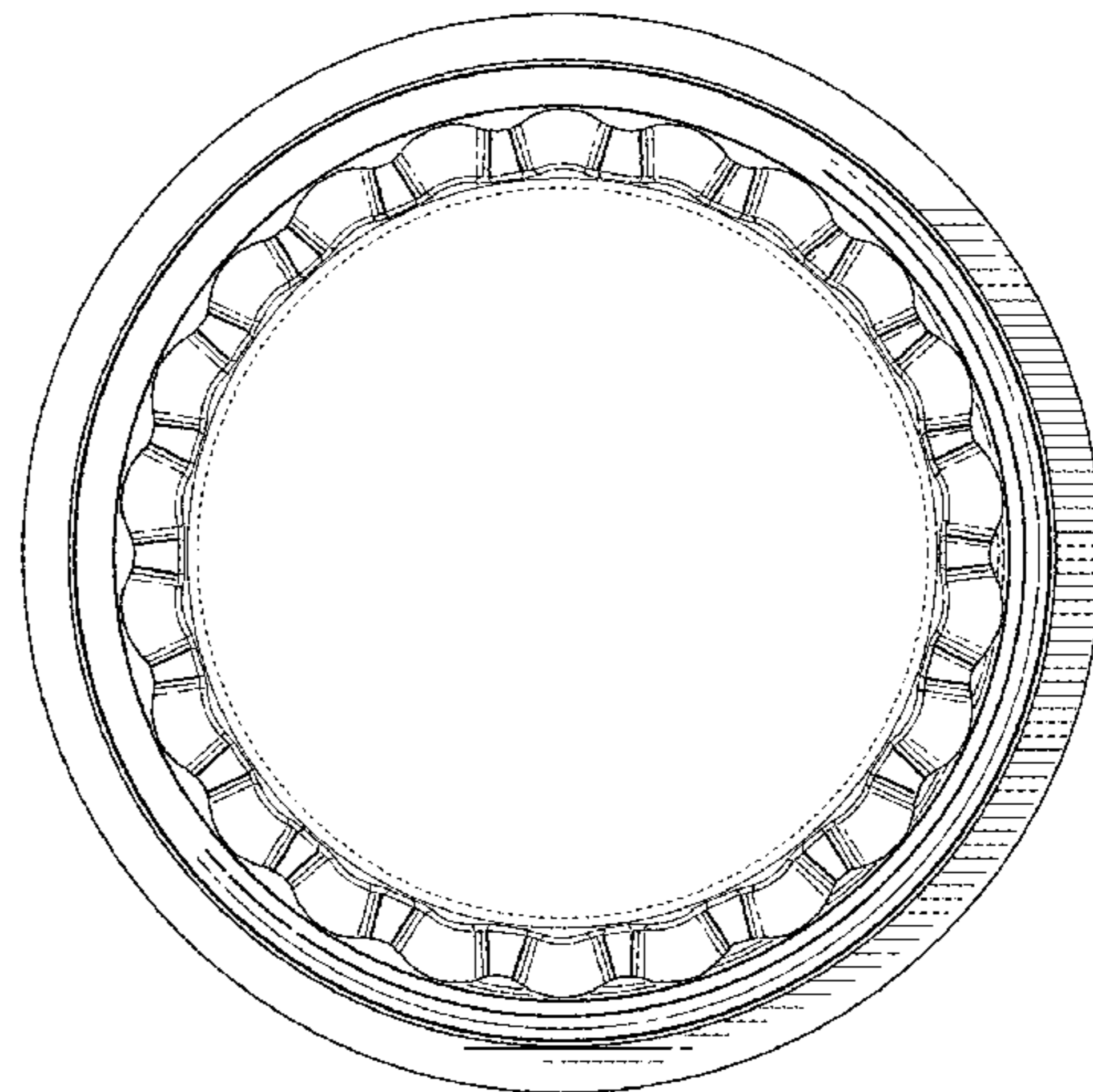
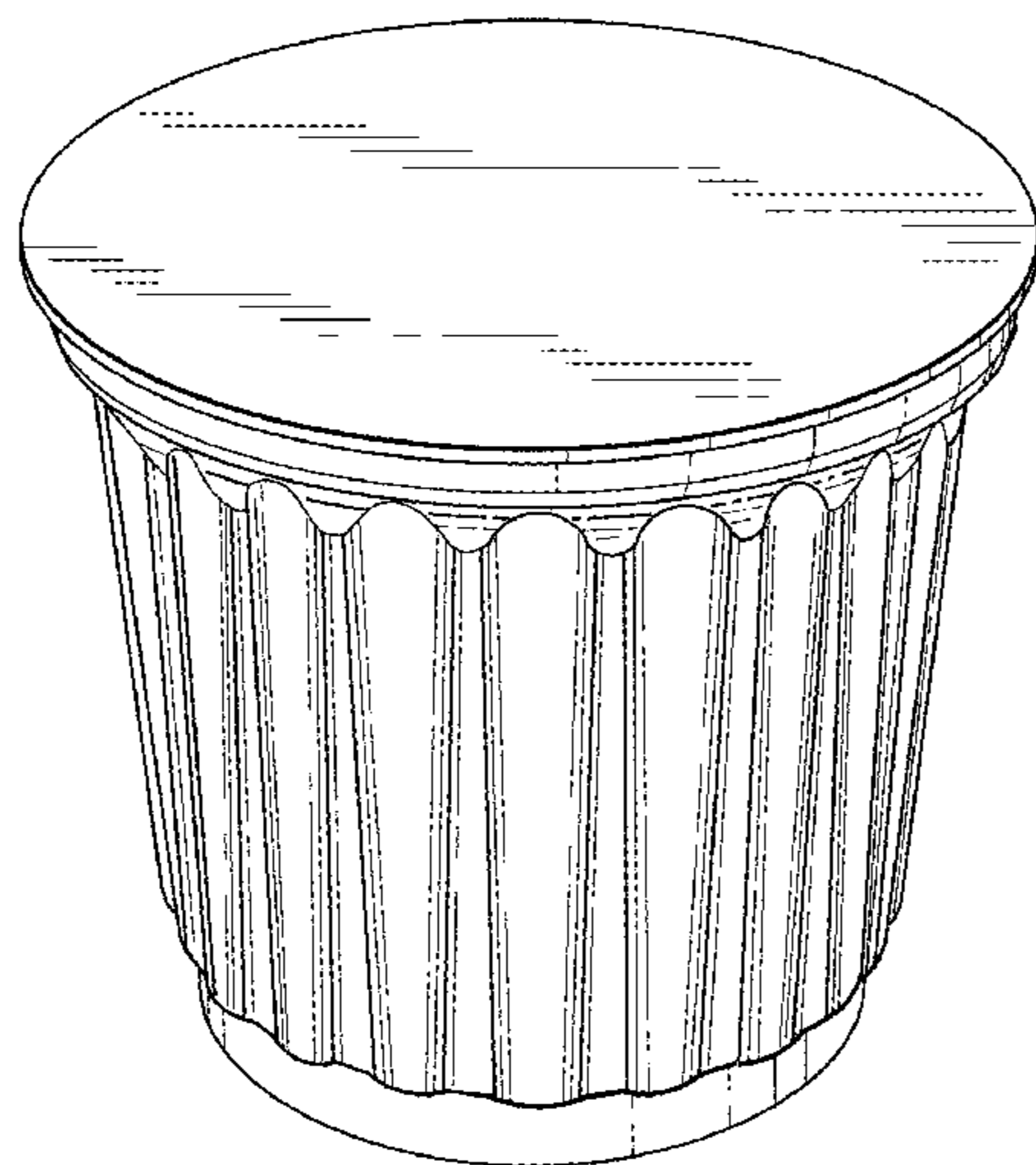
The ornamental design for a container, as shown and
described.

DESCRIPTION

FIG. 1 is a perspective view of a first embodiment of a con-
tainer showing our new design;
FIG. 2 is a bottom plan view of the container of FIG. 1;
FIG. 3 is a top plan view of the container of FIG. 1;
FIG. 4 is a front elevation view of the container of FIG. 1, the
rear elevation view, the right side view, and the left side view
being identical;
FIG. 5 is a perspective view of a second embodiment of a
container showing our new design;
FIG. 6 is a bottom plan view of the container of FIG. 5;
FIG. 7 is a top plan view of the container of FIG. 5; and,
FIG. 8 is a front elevation view of the container of FIG. 5; the
rear elevation view, the right side view, and the left side view
being identical.

The broken lines in the drawings depict unclaimed subject
matter and form no part of the claimed design.

1 Claim, 4 Drawing Sheets



(56)

References Cited

U.S. PATENT DOCUMENTS

3,292,527 A	12/1966	Stasse	6,832,542 B2	12/2004	Hu
3,398,836 A	8/1968	Hugentobler	6,849,285 B2	2/2005	Masek
3,443,714 A	5/1969	Edwards	D502,362 S	3/2005	Lazaris
3,443,715 A	5/1969	Edwards	D506,926 S	7/2005	Halliday
3,445,237 A	5/1969	Gidge	6,948,420 B2	9/2005	Kirschner
D216,870 S	3/1970	Gregor	D510,679 S	10/2005	Smith
D221,418 S	8/1971	Kinney	D511,458 S	11/2005	Dunwoody
3,811,373 A	5/1974	Telco	D513,152 S	12/2005	Cahen
3,812,273 A	5/1974	Schmidt	D520,185 S	5/2006	Zeng
3,823,656 A	7/1974	Vander Veken	7,063,238 B2	6/2006	Hale
3,878,772 A	4/1975	Nordskog	D539,643 S	4/2007	Abel
3,937,134 A	2/1976	Molenaar et al.	7,213,506 B2	5/2007	Halliday
D241,228 S	8/1976	Boduch	7,325,479 B2	2/2008	Laigneau
4,075,107 A	2/1978	Smith	7,444,925 B2	11/2008	Mahlich
4,094,234 A	6/1978	Olney	7,490,542 B2	2/2009	Macchi
D248,358 S	7/1978	Thomas	D591,590 S	5/2009	Wilson
4,136,202 A	1/1979	Favre	7,552,672 B2	6/2009	Schmed
D260,243 S	8/1981	Dogliotti	7,604,826 B2	10/2009	Denisart
4,306,492 A	12/1981	Zimmermann	D605,502 S	12/2009	Honda
4,362,623 A	12/1982	Holopainen	D606,363 S	12/2009	Aardenburg
4,417,504 A	11/1983	Yamamoto	D607,727 S	1/2010	Takata
D275,179 S	8/1984	Spencer	7,658,141 B2	2/2010	Masek
4,471,689 A	9/1984	Piana	D612,732 S	3/2010	Takata
4,522,298 A	6/1985	Weinberger	D621,698 S	8/2010	Cometto
D288,515 S *	3/1987	Rimmeir D7/584	7,815,953 B2	10/2010	Mastropasqua
4,724,752 A	2/1988	Aliesch	D628,476 S	12/2010	Vang
4,775,048 A	10/1988	Bacchi	D628,883 S	12/2010	Stephens
4,846,052 A	7/1989	Favre	D637,484 S	5/2011	Winkler
4,867,993 A	9/1989	Nordskog	D638,290 S	5/2011	Cimmerer
D306,928 S	3/1990	Hanna	7,947,316 B2	5/2011	Kirschner
D306,974 S	4/1990	Tholstrup	D640,100 S	6/2011	Shing
4,921,712 A	5/1990	Malmquist	D640,547 S	6/2011	Guillemin
4,975,292 A	12/1990	Loizzi	D641,592 S	7/2011	Davis
5,043,172 A	8/1991	Loizzi	D642,454 S	8/2011	Santoiemmo
5,108,768 A	4/1992	So	D645,340 S *	9/2011	Menard et al. D9/428
5,197,374 A	3/1993	Fond	8,025,210 B2	9/2011	Johnson
D335,531 S *	5/1993	Kunze et al. D23/366	D647,398 S	10/2011	Winkler
5,242,702 A	9/1993	Fond	D647,399 S	10/2011	Winkler
5,243,164 A	9/1993	Erickson	D649,870 S	12/2011	Cometto
5,259,295 A	11/1993	Timm	D651,508 S	1/2012	Layfield
D342,447 S	12/1993	Aylward	D658,493 S	5/2012	Cometto
5,279,442 A	1/1994	Jentzsch	8,307,754 B2	11/2012	Ternite
5,325,765 A	7/1994	Sylvan	8,361,527 B2	1/2013	Winkler
5,472,719 A	12/1995	Favre	8,425,964 B2	4/2013	DoglioniMajer
D381,558 S	7/1997	Schaefer	8,443,717 B2	5/2013	Venturi
5,656,311 A	8/1997	Fond	D694,579 S *	12/2013	Khubani D7/400
D389,741 S *	1/1998	Barrie, II D9/429	D694,620 S	12/2013	Hansen
D394,005 S	5/1998	Marijnissen	D695,111 S	12/2013	Hansen
5,840,189 A	11/1998	Sylvan	D697,797 S	1/2014	Hansen
5,906,844 A	5/1999	Stahli	D698,649 S *	2/2014	Quint D9/500
5,952,028 A	9/1999	Lesser	D703,035 S *	4/2014	Zanetti D9/416
D415,025 S	10/1999	McCann	D703,039 S	4/2014	Hansen
D426,160 S	6/2000	Lindsay	D707,489 S *	6/2014	Hertaus D7/400
D429,446 S	8/2000	Toussant	D707,490 S *	6/2014	Hertaus D7/400
6,189,436 B1	2/2001	Brooks	D708,057 S *	7/2014	Hansen D9/429
6,189,438 B1	2/2001	Bielfeldt	D713,259 S *	9/2014	Naef et al. D9/600
D438,794 S	3/2001	Miles	D716,648 S *	11/2014	Tan D9/416
D445,677 S	7/2001	Lindsay	D723,868 S *	3/2015	Hertaus D7/400
D452,433 S	12/2001	Lazaris	2001/0047724 A1	12/2001	Lazaris
D452,434 S	12/2001	Sweeney	2001/0048957 A1	12/2001	Lazaris
6,440,256 B1	8/2002	Gordon	2002/0015768 A1	2/2002	Masek
D462,900 S	9/2002	Yamada	2002/0020659 A1 *	2/2002	Sweeney et al. 210/416.3
D465,154 S	11/2002	O'Brien	2002/0088807 A1	7/2002	Perkovic
D474,110 S	5/2003	Sweeney	2002/0134249 A1	9/2002	Melton
D474,111 S	5/2003	Lazaris	2002/0144603 A1	10/2002	Taylor
6,589,577 B2	7/2003	Lazaris	2002/0148356 A1	10/2002	Lazaris
6,606,938 B2	8/2003	Taylor	2003/0005826 A1	1/2003	Sargent
6,607,762 B2	8/2003	Lazaris	2003/0039731 A1	2/2003	Dalton
6,645,537 B2	11/2003	Sweeney	2003/0145736 A1	8/2003	Green
6,655,260 B2	12/2003	Lazaris	2003/0172813 A1	9/2003	Schifferle
6,698,333 B2	3/2004	Halliday	2003/0217643 A1	11/2003	Masek
6,758,130 B2	7/2004	Sargent	2003/0222089 A1	12/2003	Hale
6,786,134 B2	9/2004	Green	2004/0045443 A1	3/2004	Lazaris
6,786,136 B2	9/2004	Cirigliano	2004/0163543 A1	8/2004	Hu
6,810,788 B2	11/2004	Hale	2004/0228955 A1	11/2004	Denisart
			2005/0051478 A1	3/2005	Karanikos
			2005/0150390 A1	7/2005	Schifferle
			2005/0183581 A1	8/2005	Kirschner
			2005/0266122 A1	12/2005	Franceschi

(56)

References Cited

U.S. PATENT DOCUMENTS

2005/0287251	A1	12/2005	Lazaris	
2006/0107841	A1	5/2006	Schifferle	
2006/0236871	A1	10/2006	Ternite	
2007/0186784	A1	8/2007	Liverani	
2008/0264267	A1	10/2008	DoglioniMajer	
2009/0007793	A1	1/2009	Glucksman	
2009/0175986	A1	7/2009	DoglioniMajer	
2009/0220650	A1	9/2009	Ozanne	
2010/0043644	A1	2/2010	Suggiliverani	
2010/0043645	A1	2/2010	Suggiliverani	
2010/0064899	A1	3/2010	Aardenburg	
2010/0072268	A1	3/2010	Johnson	
2010/0239733	A1	9/2010	Yoakim	
2010/0239734	A1	9/2010	Yoakim	
2010/0288131	A1	11/2010	Kilber	
2010/0303964	A1	12/2010	Beaulieu	
2011/0030563	A9	2/2011	DoglioniMajer	
2011/0064852	A1	3/2011	Mann	
2011/0076361	A1	3/2011	Peterson	
2011/0097450	A1	4/2011	Kruger	
2011/0151075	A1	6/2011	Peterson	
2011/0274802	A1	11/2011	Rivera	
2012/0006205	A1	1/2012	Vanni	
2012/0258210	A1	10/2012	Wong	
2012/0258219	A1	10/2012	Wong	
2012/0258221	A1	10/2012	Wong	
2012/0263833	A1	10/2012	Wong	
2012/0308688	A1	12/2012	Peterson	
2012/0318810	A1	12/2012	Hodge	
2012/0321756	A1	12/2012	Estabrook	
2013/0017303	A1*	1/2013	Vu	426/433
2013/0059039	A1	3/2013	Trombetta	
2013/0101716	A1	4/2013	Beaulieu	
2013/0136828	A1*	5/2013	Anghileri	426/112
2014/0072675	A1	3/2014	Norton	
2014/0072677	A1	3/2014	Hansen	
2014/0130678	A1*	5/2014	Frydman	99/295
2014/0141140	A1*	5/2014	Bugnano et al.	426/431
2014/0161936	A1*	6/2014	Trombetta et al.	426/77
2014/0161937	A1*	6/2014	Rondelli	426/80
2014/0234494	A1*	8/2014	Doglioni Majer	426/115
2014/0318380	A1*	10/2014	Doglioni Majer	99/295
2014/0373725	A1*	12/2014	Mastropasqua et al.	99/295
2015/0050391	A1*	2/2015	Rapparini	426/115

FOREIGN PATENT DOCUMENTS

CA	2701826	1/2009
DE	2029552	12/1971
DE	3432339	3/1986
EP	0272922	6/1988
EP	0334571	9/1989
EP	0334572	9/1989
EP	0451980	10/1991
EP	0455337	11/1991
EP	0524464	1/1993

EP	554469	8/1993
EP	0638486	2/1995
EP	1042978	10/2000
EP	1208782	5/2002
EP	1255685	4/2004
EP	1440644	7/2004
EP	1440913	7/2004
EP	1529739	5/2005
EP	1580143	9/2005
EP	1792849	6/2007
EP	2119640	11/2009
EP	2230195	9/2010
EP	2239212	10/2010
EP	2284102	2/2011
EP	2287090	2/2011
EP	2404844	1/2012
FR	2946854	12/2010
GB	838829	6/1960
GB	2023086	12/1979
GB	2488799	9/2012
GB	2489409	10/2012
GB	2491154	11/2012
JP	2000355375	12/2000
JP	2001061663	3/2001
JP	2009517158	4/2009
WO	0158786	8/2001
WO	0160219	8/2001
WO	0160220	8/2001
WO	0160712	8/2001
WO	02058522	8/2002
WO	02074143	9/2002
WO	02074661	9/2002
WO	02082962	10/2002
WO	03059778	7/2003
WO	03073896	9/2003
WO	2004006740	1/2004
WO	2004083071	9/2004
WO	2006008243	1/2006
WO	2006030461	3/2006
WO	2007095294	8/2007
WO	2007122144	11/2007
WO	2008116818	10/2008
WO	2008136026	11/2008
WO	2009110783	9/2009
WO	2009115475	9/2009
WO	2010038213	4/2010
WO	2010046923	4/2010
WO	2010085824	8/2010
WO	2010093246	8/2010
WO	2010106516	9/2010
WO	2010115970	10/2010
WO	2010128844	11/2010
WO	2010134036	11/2010
WO	2010137952	12/2010
WO	2010138563	12/2010
WO	2012122329	9/2012
WO	2012127233	9/2012
WO	2012160342	11/2012

* cited by examiner

FIG. 1

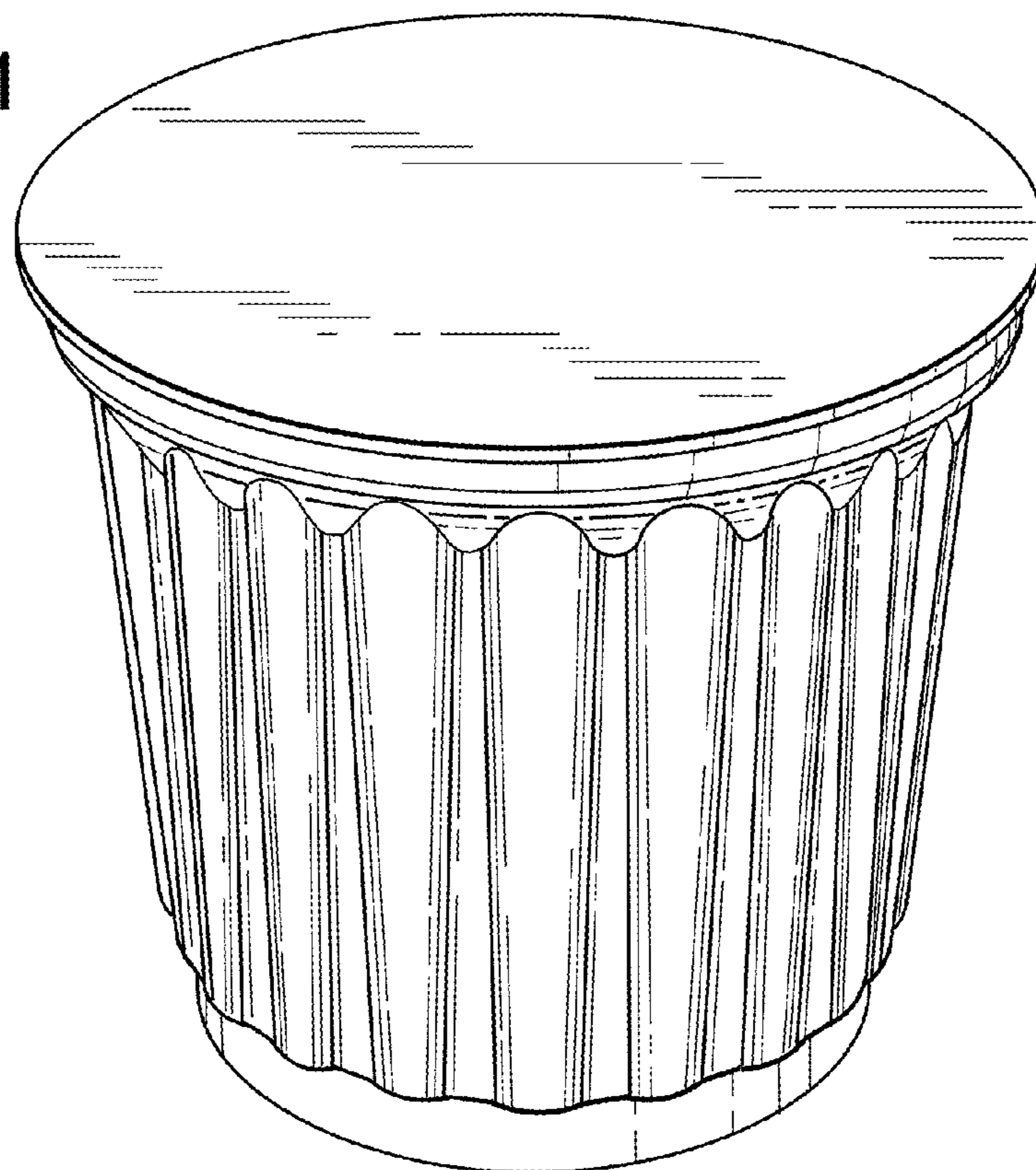


FIG. 2

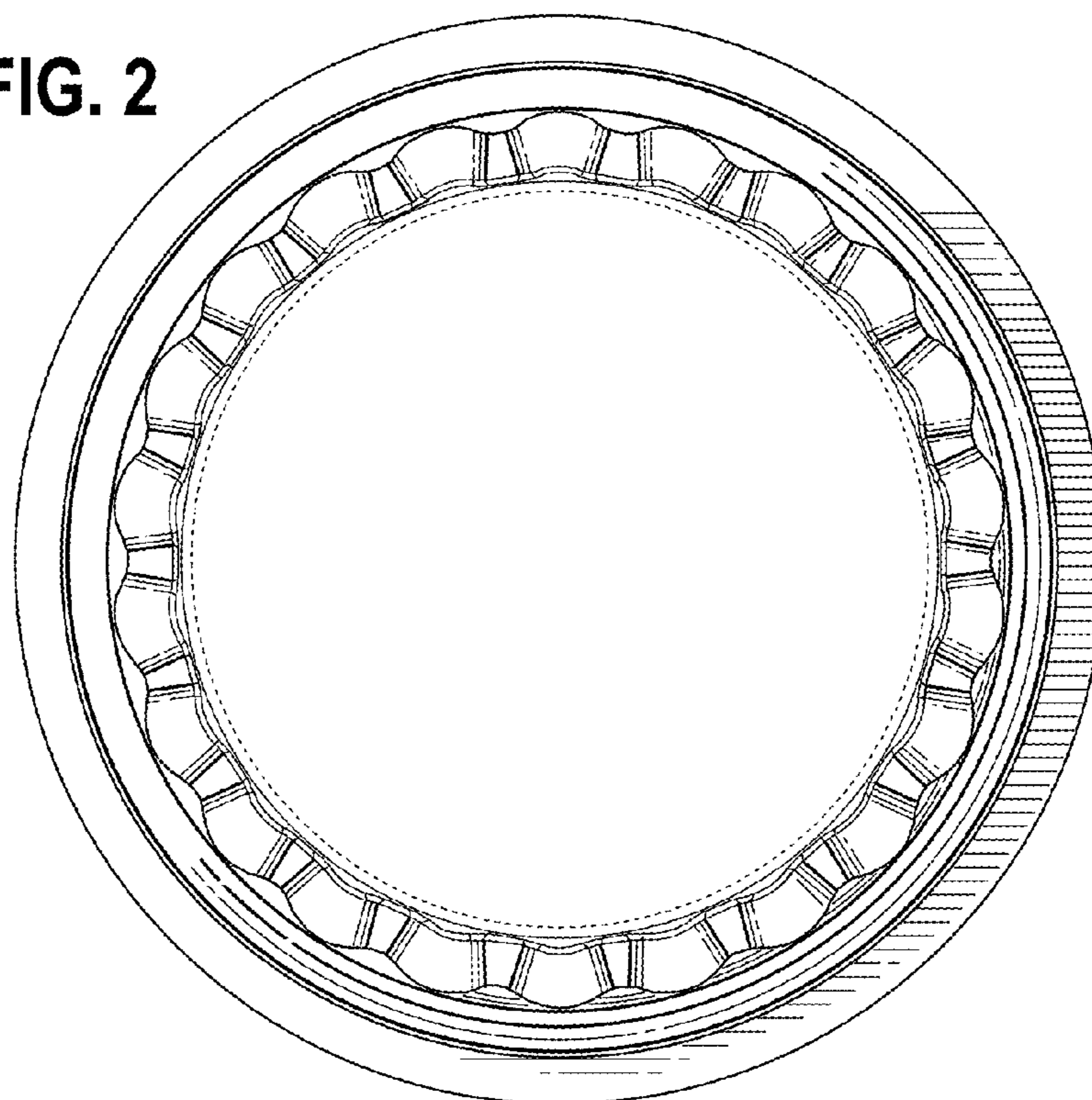


FIG. 3

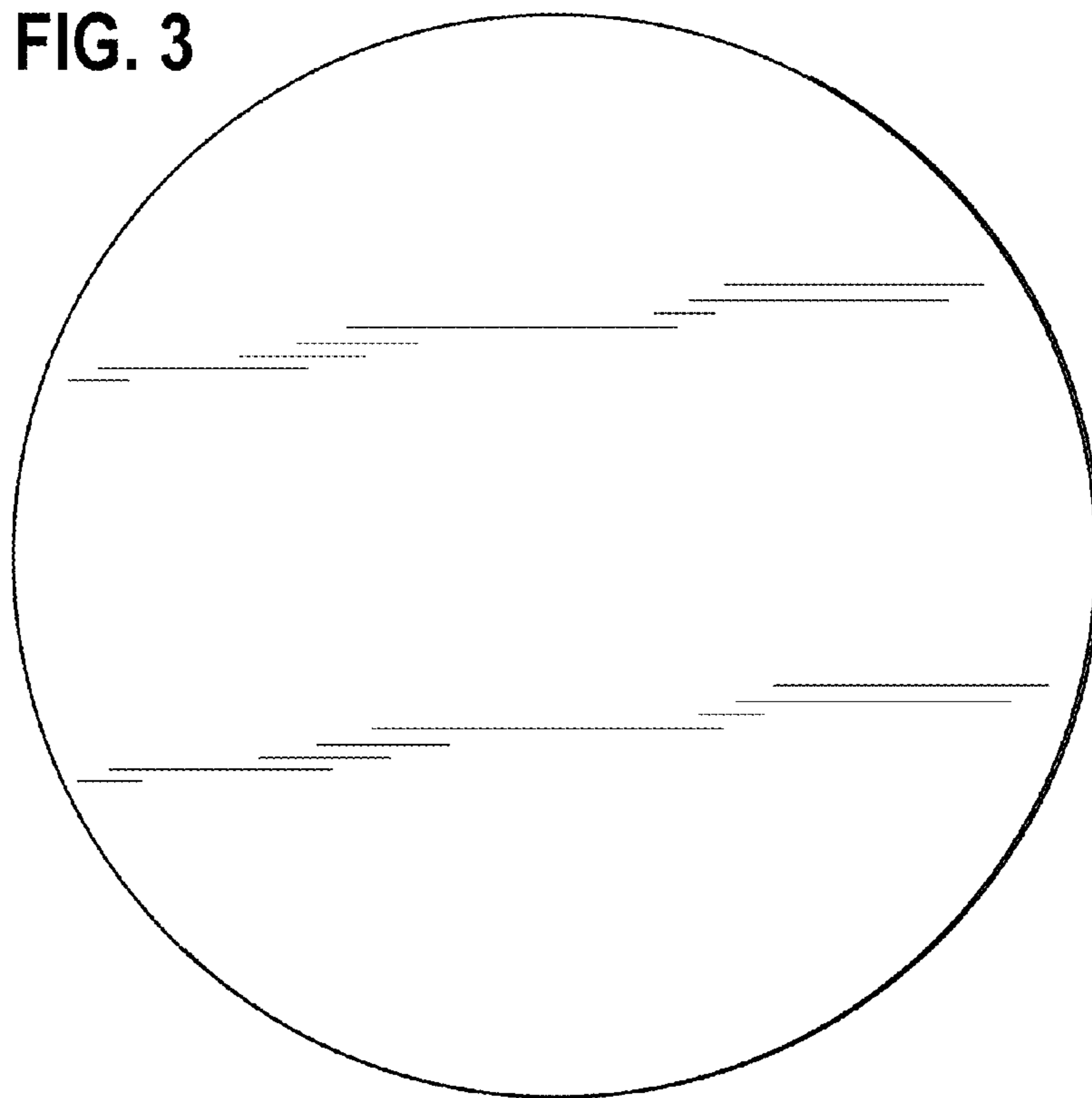


FIG. 4

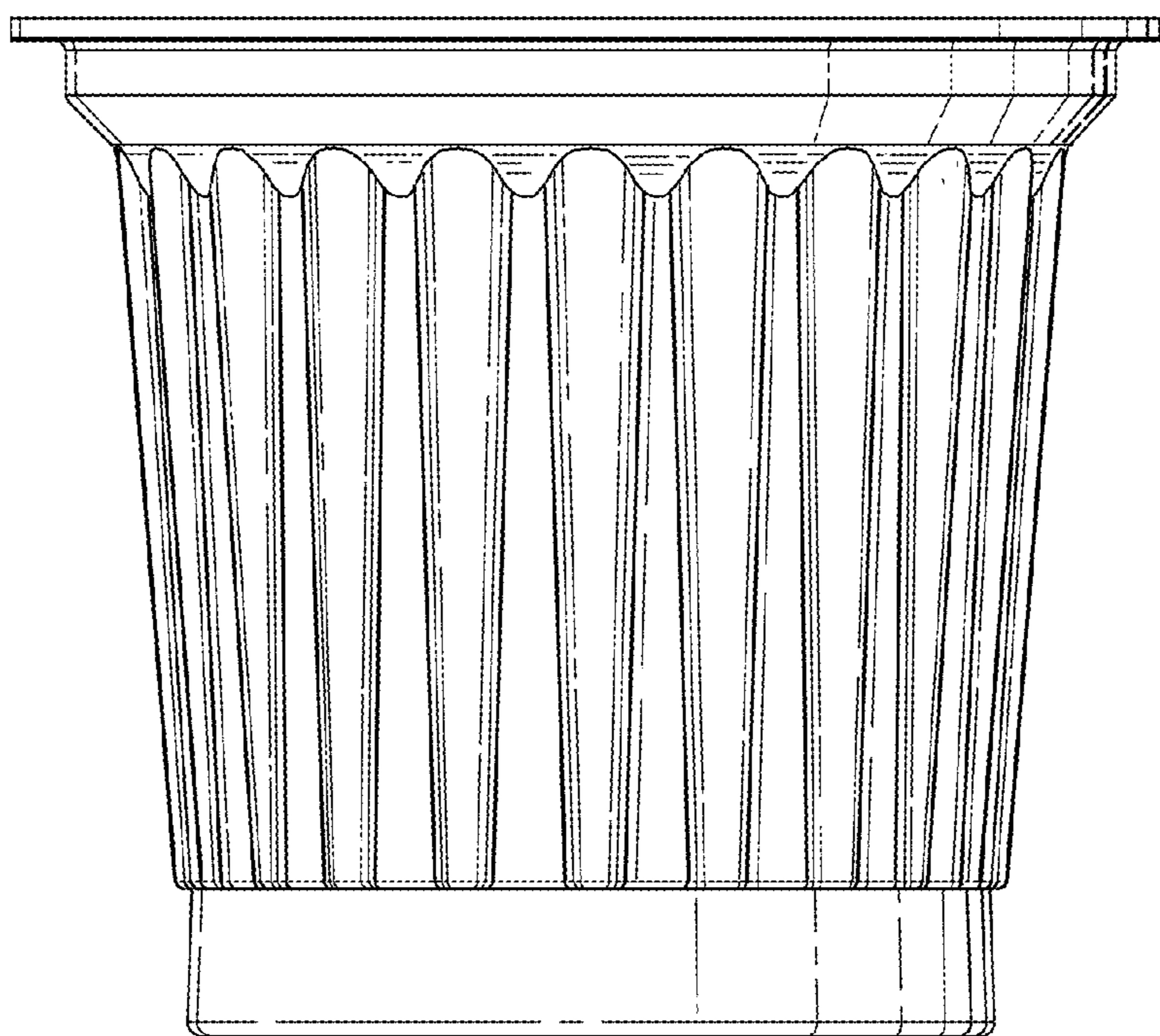


FIG. 5

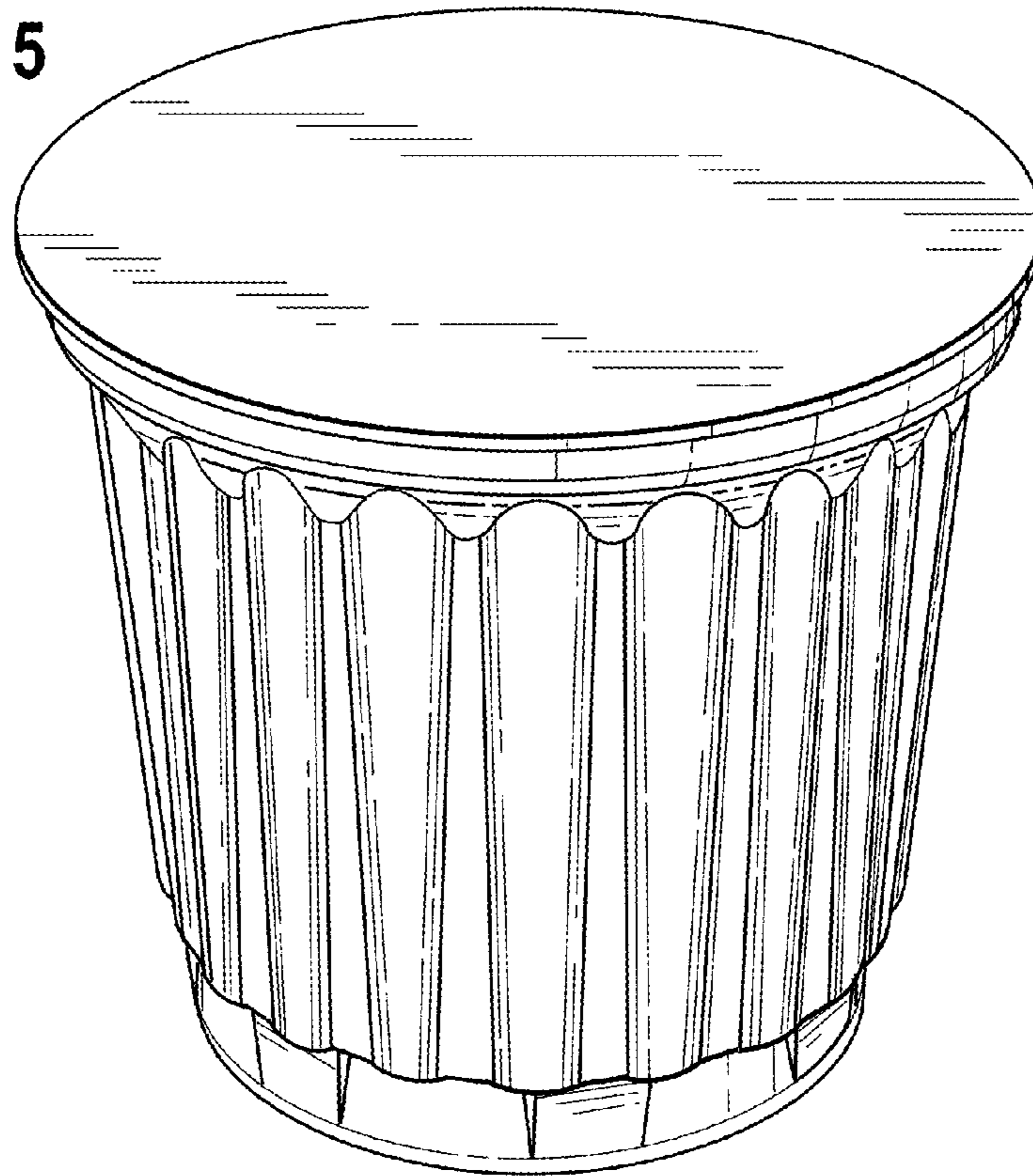


FIG. 6

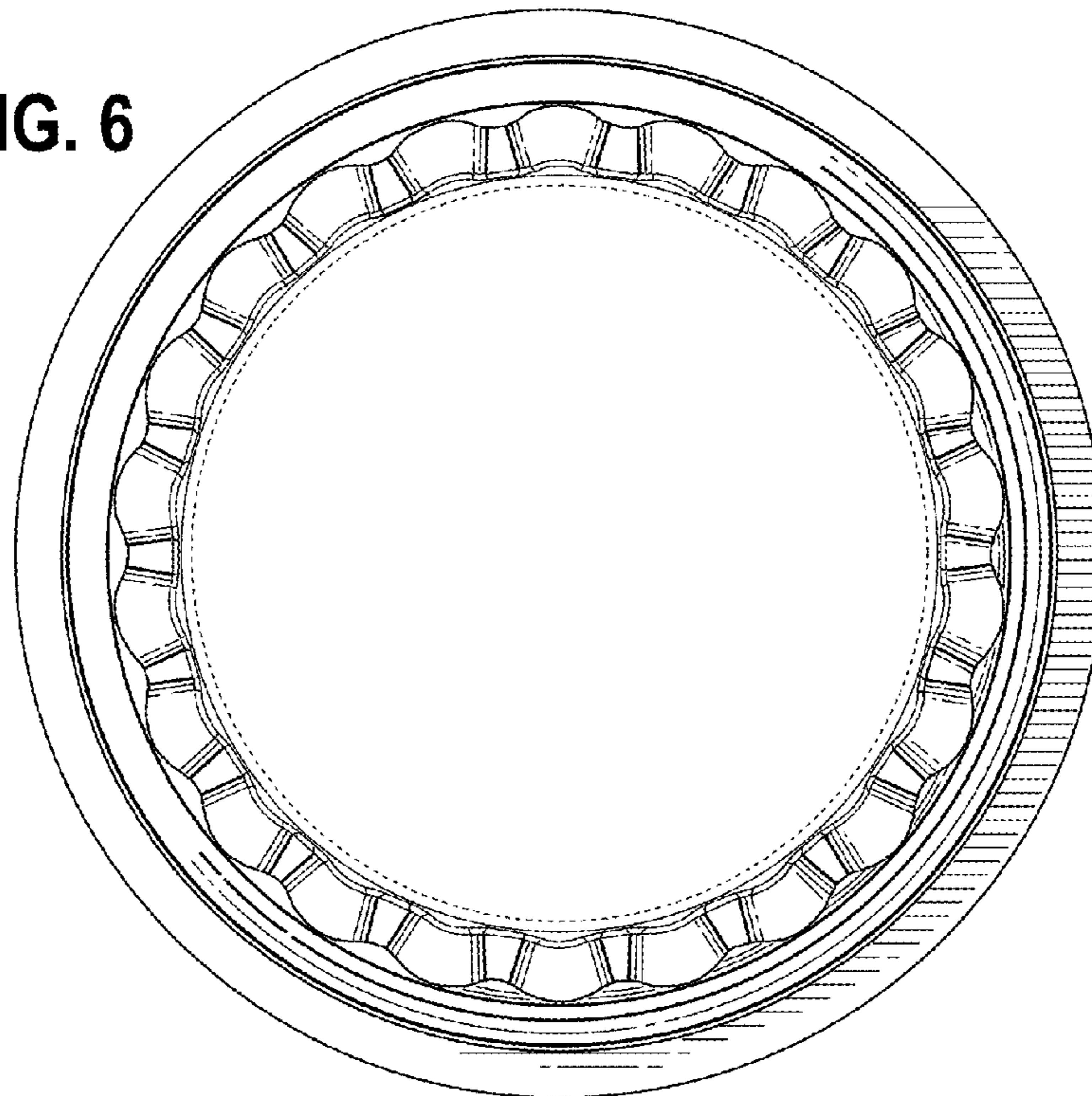


FIG. 7

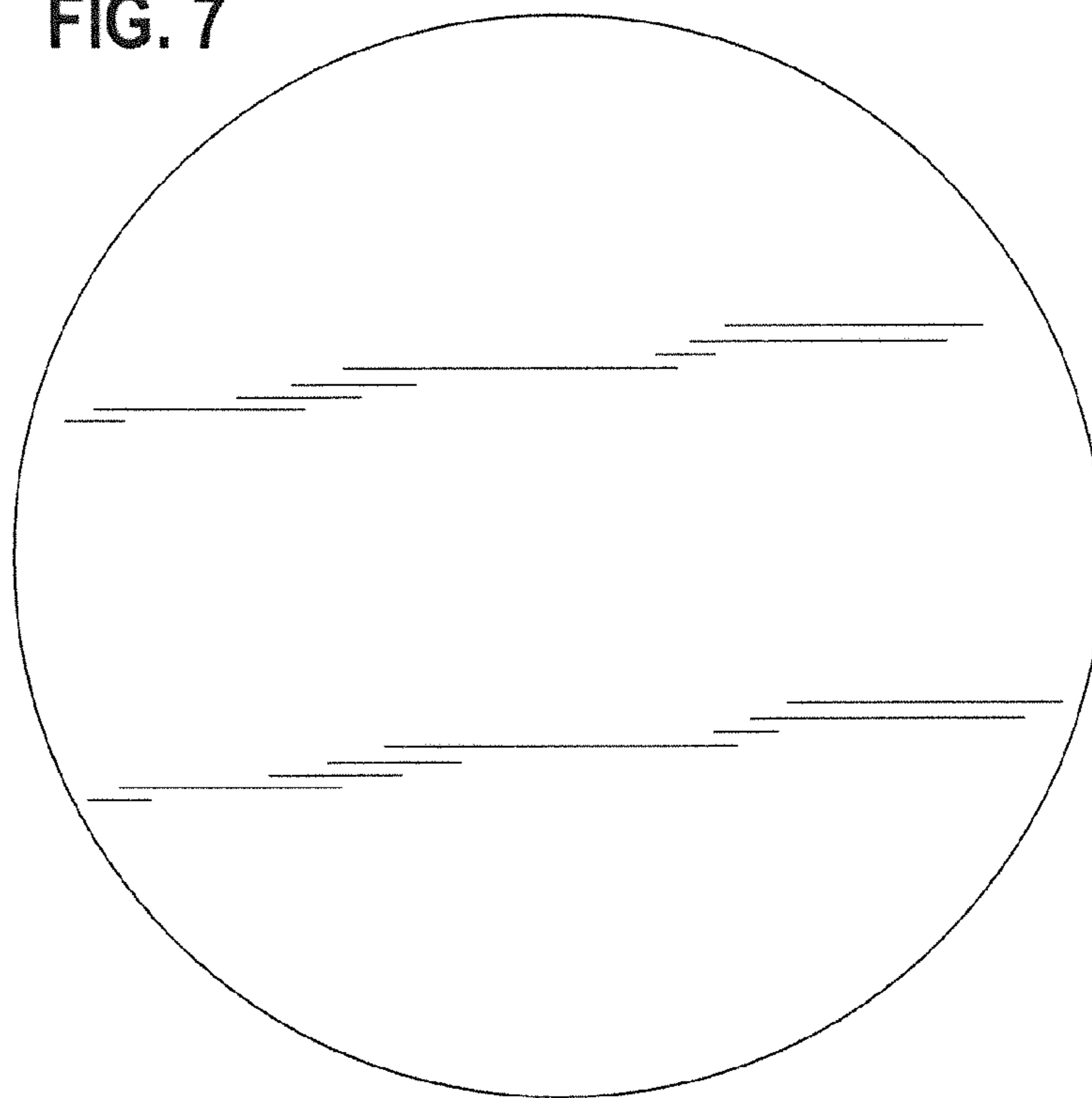


FIG. 8

