



US00D757535S

(12) **United States Design Patent**
Lo Faro et al.

(10) **Patent No.:** **US D757,535 S**
(45) **Date of Patent:** **** May 31, 2016**

(54) **BEVERAGE DISPENSER CAPSULE**

(56) **References Cited**

(71) Applicants: **Gian Matteo Lo Faro**, Miami, FL (US);
John R. Laverack, Southbury, CT (US);
Yuanli Shentu, Waterbury, CT (US);
Kurt R. Waseman, Middletown, CT
(US); **George E. Riehm**, New Fairfield,
CT (US); **Greg G. Weaver**, Waterbury,
CT (US); **Andy Swaker**, Belp (CH)

U.S. PATENT DOCUMENTS

3,360,121	A	*	12/1967	Zoeller et al.	426/112
D258,203	S	*	2/1981	Elzea et al.	D9/426
D265,777	S	*	8/1982	Elzea et al.	D9/425
D317,567	S	*	6/1991	Lane, Sr.	D9/425
D343,340	S	*	1/1994	Frye et al.	D7/629
D482,276	S	*	11/2003	Wang	D9/424
D483,232	S	*	12/2003	Liu	D7/629
D522,376	S	*	6/2006	Hales	D9/414
D637,481	S	*	5/2011	Sellari et al.	D9/424
D652,718	S	*	1/2012	Caldwell et al.	D9/434

(72) Inventors: **Gian Matteo Lo Faro**, Miami, FL (US);
John R. Laverack, Southbury, CT (US);
Yuanli Shentu, Waterbury, CT (US);
Kurt R. Waseman, Middletown, CT
(US); **George E. Riehm**, New Fairfield,
CT (US); **Greg G. Weaver**, Waterbury,
CT (US); **Andy Swaker**, Belp (CH)

* cited by examiner

Primary Examiner — Susan Bennett Hattan

Assistant Examiner — Brett Miller

(74) *Attorney, Agent, or Firm* — Clifford H. KRaft

(73) Assignee: **La Vit Technology LLC**, New York

(**) Term: **14 Years**

(21) Appl. No.: **29/487,437**

(22) Filed: **Apr. 8, 2014**

Related U.S. Application Data

(63) Continuation-in-part of application No. 29/455,875,
filed on May 24, 2013, now Pat. No. Des. 726,534.

(51) **LOC (10) Cl.** **09-03**

(52) **U.S. Cl.**
USPC **D9/429**

(58) **Field of Classification Search**
USPC D9/414-434, 707, 710, 732, 759, 652;
D7/354, 629; 220/657; 426/112
CPC B65D 5/4204
See application file for complete search history.

(57) **CLAIM**

The ornamental design for a beverage dispenser capsule, as shown and described.

DESCRIPTION

FIG. 1 is a perspective view of the beverage dispenser capsule.

FIG. 2 is an end view thereof; both ends are symmetrical.

FIG. 3 is a side view thereof; both sides are symmetrical.

FIG. 4 is a bottom view thereof;

FIG. 5 is a top view thereof; and,

FIG. 6 is a top view of an alternate embodiment of the beverage dispenser capsule with a flat sealed cap installed. All other features of the beverage dispenser are the same as shown in FIGS. 1-4.

The broken lines depict unclaimed portions of the beverage dispenser capsule that form no part of the claimed design.

1 Claim, 4 Drawing Sheets

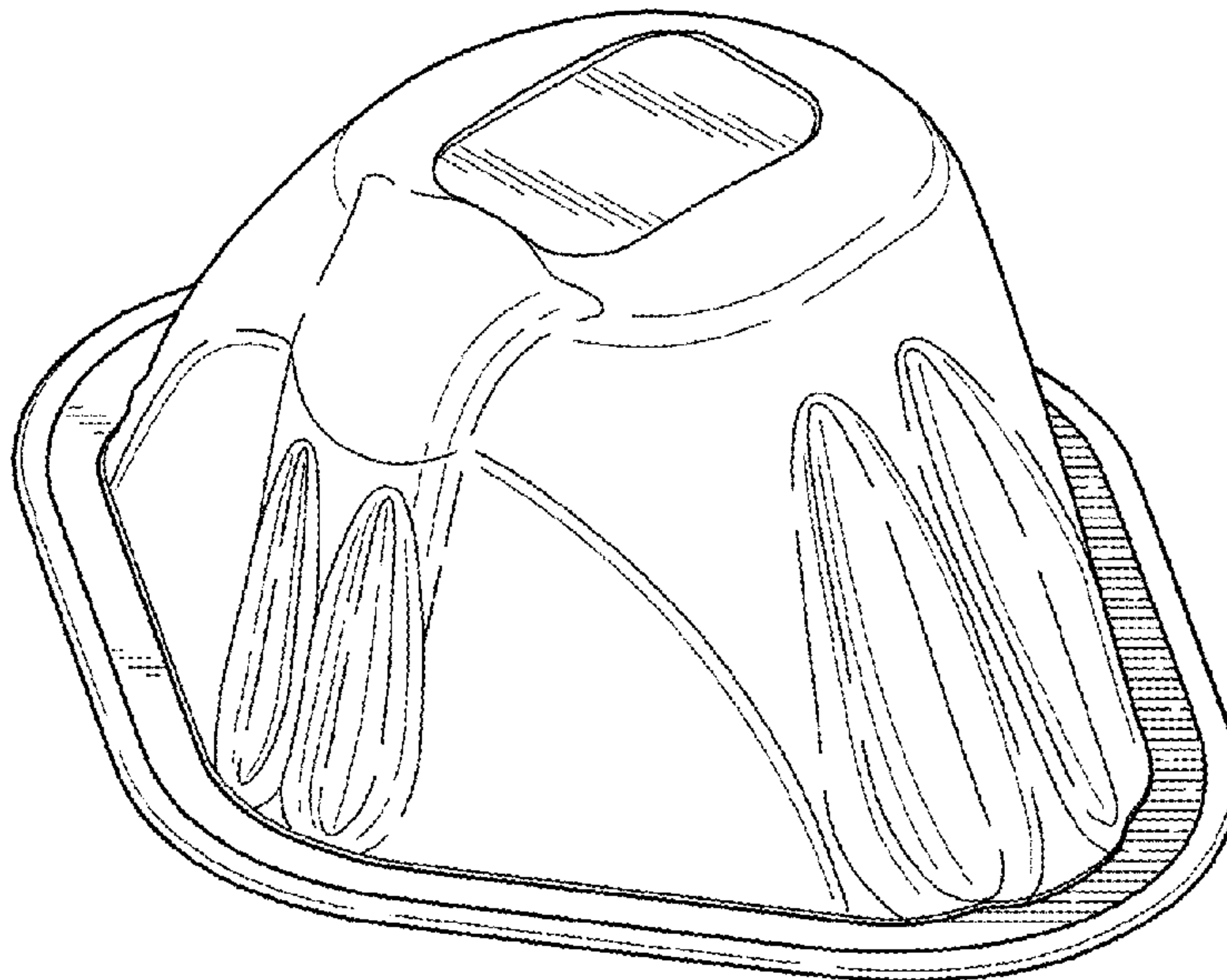


Fig. 1

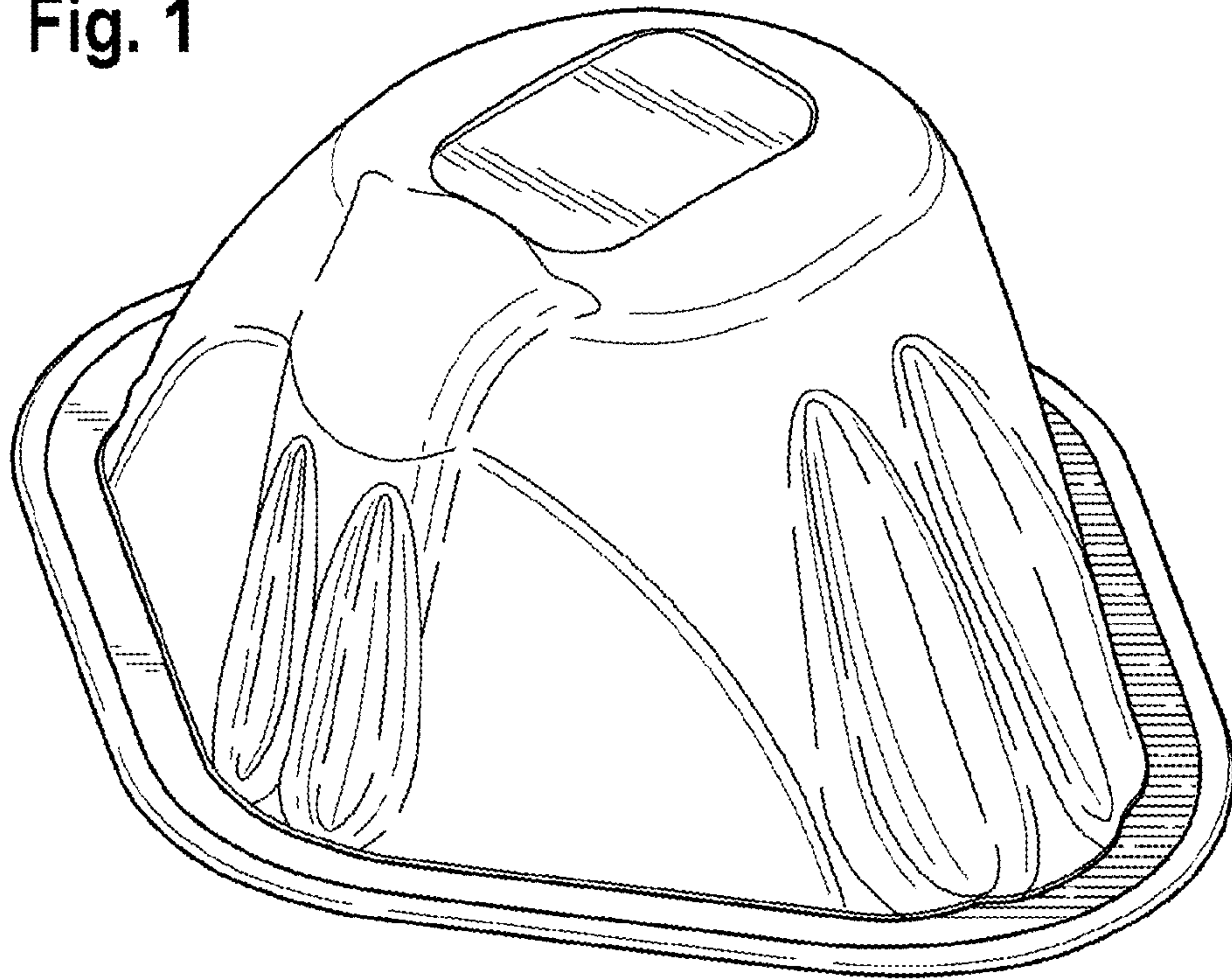


Fig. 2

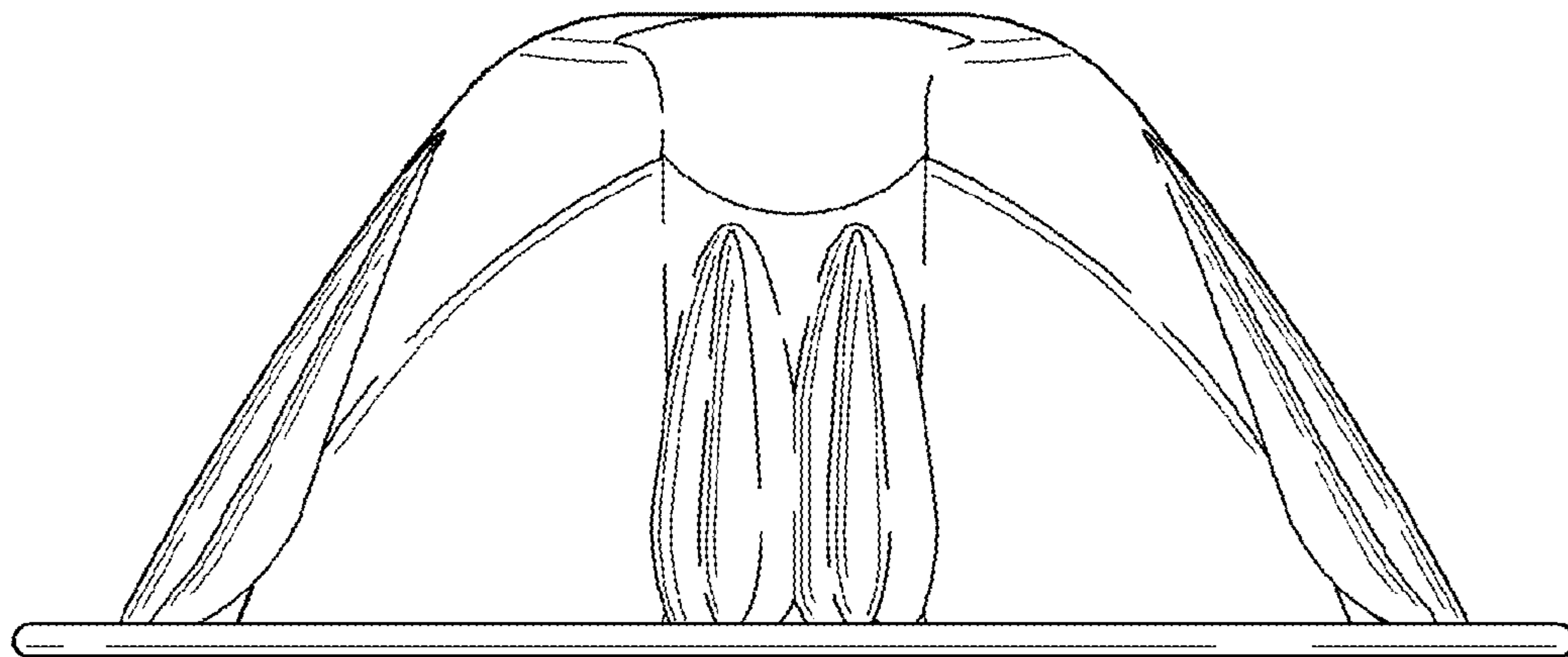


Fig. 3

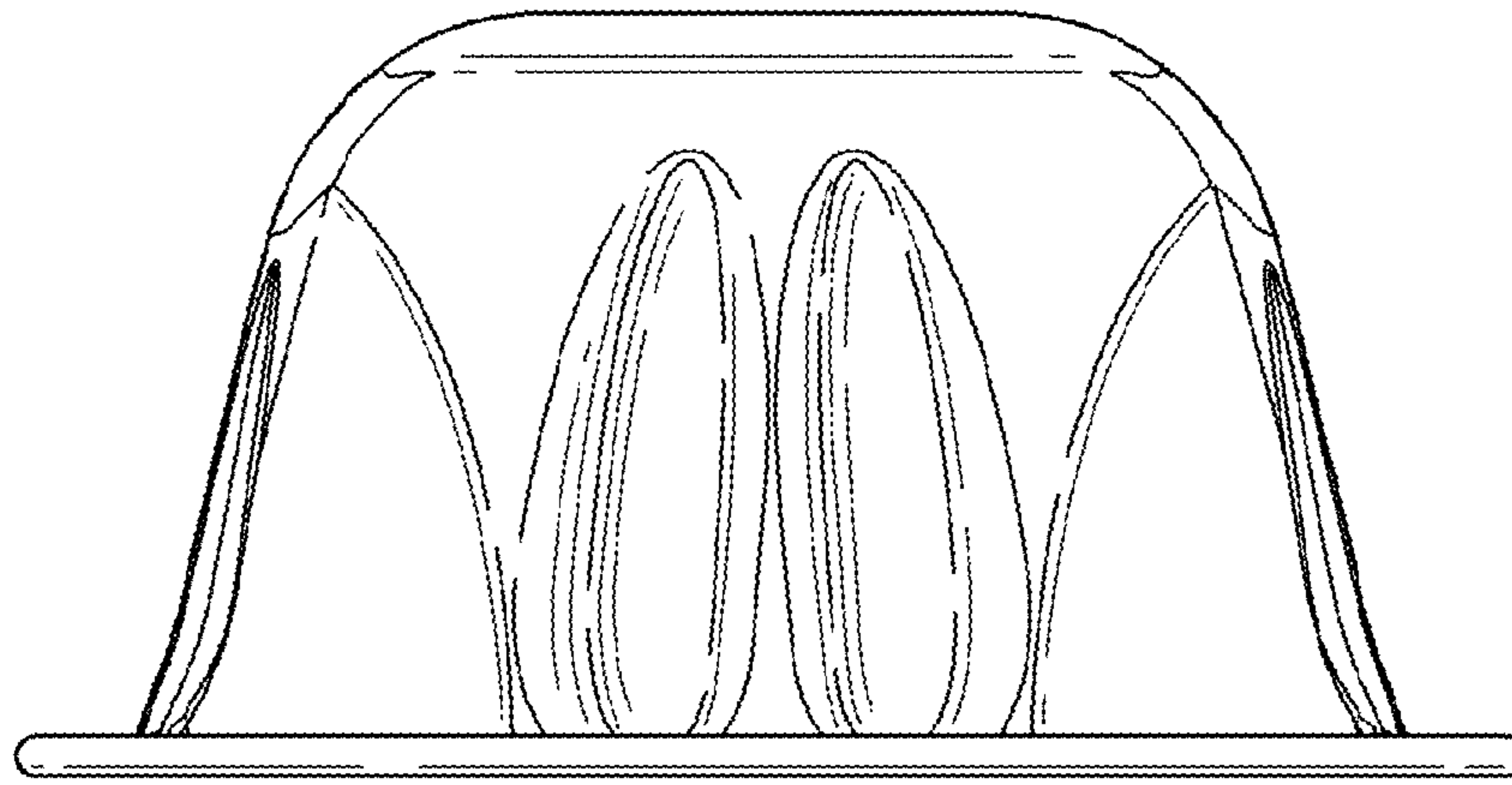


Fig. 4

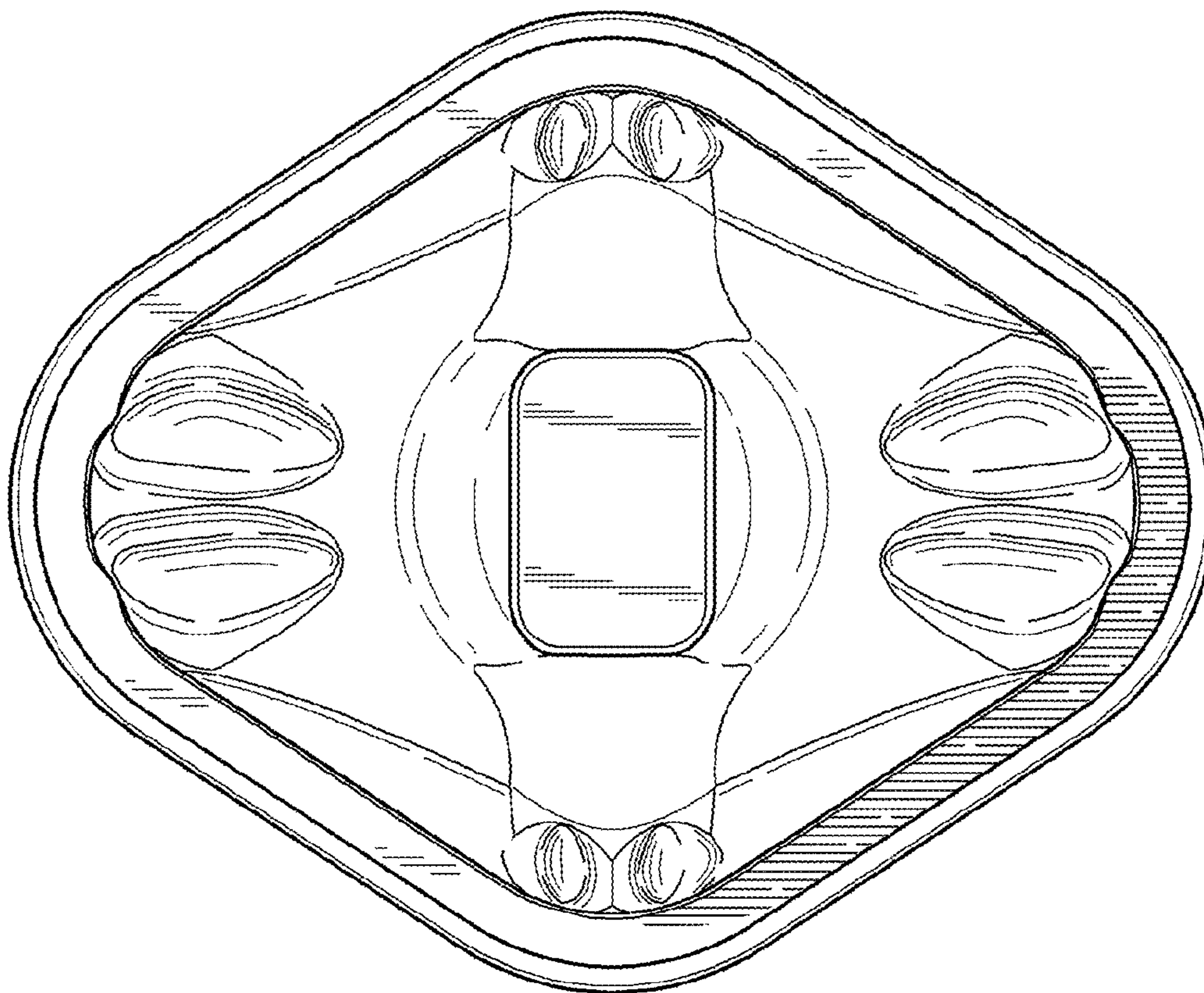


Fig. 5

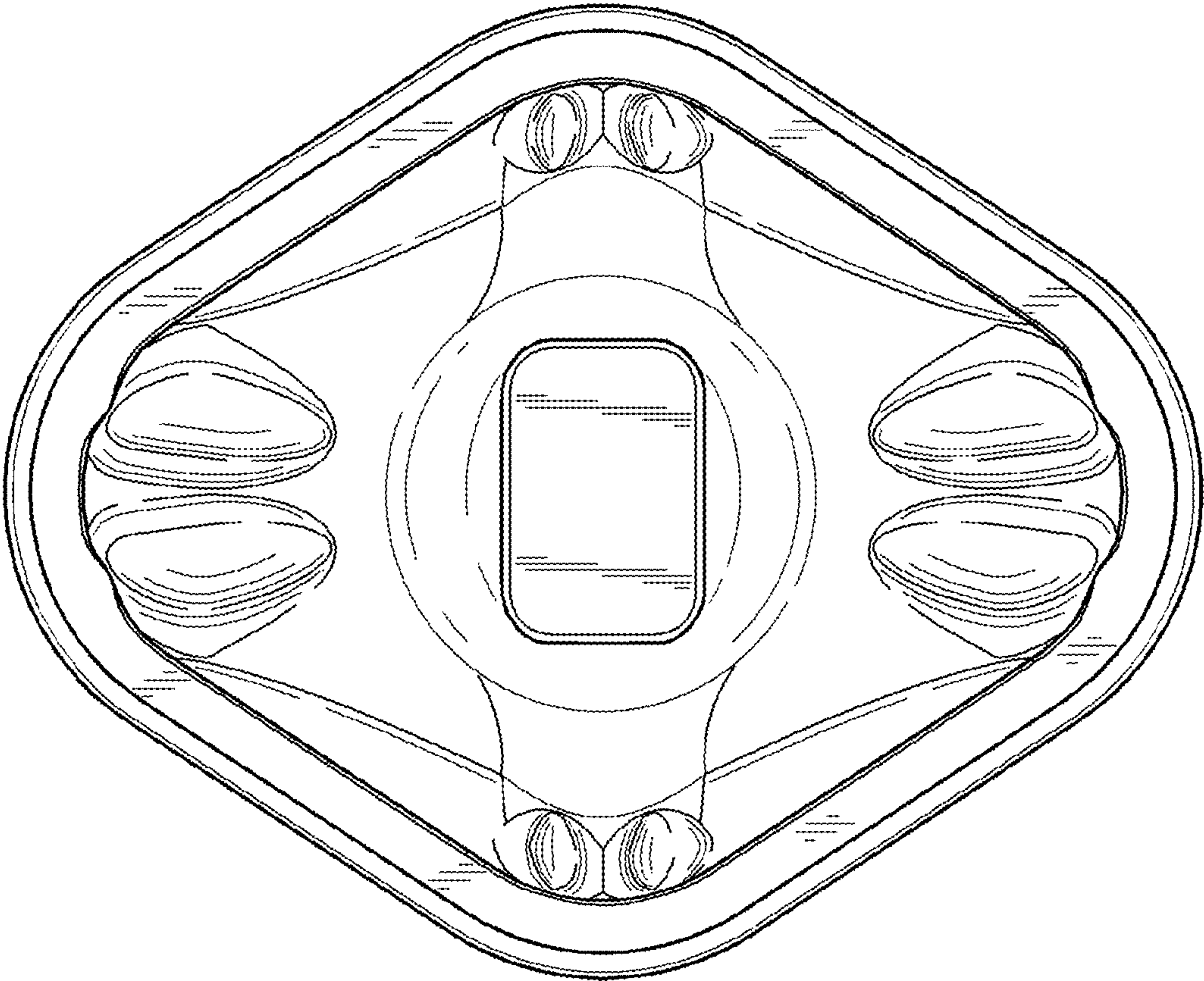


Fig. 6

