

US00D757533S

(12) **United States Design Patent**  
**Ormsbee et al.**

(10) **Patent No.:** **US D757,533 S**  
(45) **Date of Patent:** **\*\* May 31, 2016**

- (54) **CLIP**
- (71) Applicant: **Nite Ize, Inc.**, Boulder, CO (US)
- (72) Inventors: **Bowden Ormsbee**, Longmont, CO (US);  
**Richard N. Case**, Boulder, CO (US)
- (73) Assignee: **Nite Ize, Inc.**, Boulder, CO (US)
- (\*\*) Term: **14 Years**
- (21) Appl. No.: **29/513,761**
- (22) Filed: **Jan. 5, 2015**
- (51) **LOC (10) Cl.** ..... **08-08**
- (52) **U.S. Cl.**  
USPC ..... **D8/395**
- (58) **Field of Classification Search**  
USPC ..... D8/394-396; D19/65, 75, 195, 192;  
D11/78.1  
CPC ..... B42D 9/00; B42F 1/02; B42F 9/001;  
A44B 21/00; F16G 11/00; A47G 1/21;  
A47F 7/02  
See application file for complete search history.

- 6,688,505 B1 \* 2/2004 Bradley ..... A45F 5/02  
224/194
- D490,298 S \* 5/2004 Maskell ..... D8/395
- D492,351 S \* 6/2004 Sato ..... D19/34
- D509,423 S \* 9/2005 Mariano ..... D8/395
- D521,705 S \* 5/2006 Kent ..... D32/54
- D538,704 S \* 3/2007 Kaminski ..... D11/78.1

(Continued)

**FOREIGN PATENT DOCUMENTS**

- KR 300540867.0001 \* 9/2009
- KR 300710430.0001 \* 12/2013

**OTHER PUBLICATIONS**

Amazon.com: Nite Ize Clip Hardshell XL Case for Smartphones, online, oldest review Oct. 10, 2014, [http://www.amazon.com/Nite-Ize-Clip-Hardshell-Smartphones/dp/B00N24XJEK/ref=cm\\_cr\\_pr\\_product\\_top?ie=UTF8](http://www.amazon.com/Nite-Ize-Clip-Hardshell-Smartphones/dp/B00N24XJEK/ref=cm_cr_pr_product_top?ie=UTF8), [site visited Jan. 6, 2016 12:52:37 AM].\*

(Continued)

*Primary Examiner* — John Windmuller  
*Assistant Examiner* — John R Yeh  
(74) *Attorney, Agent, or Firm* — Haynes and Boone, LLP

(56) **References Cited**

**U.S. PATENT DOCUMENTS**

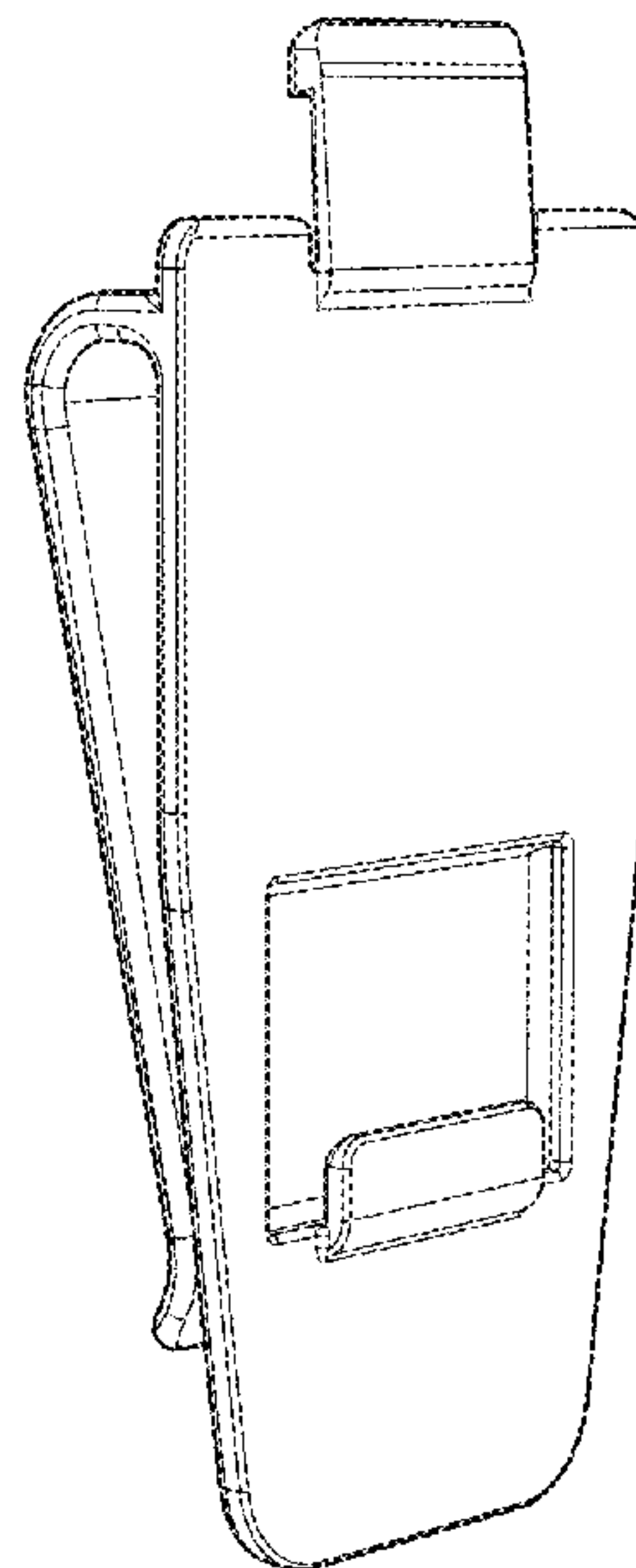
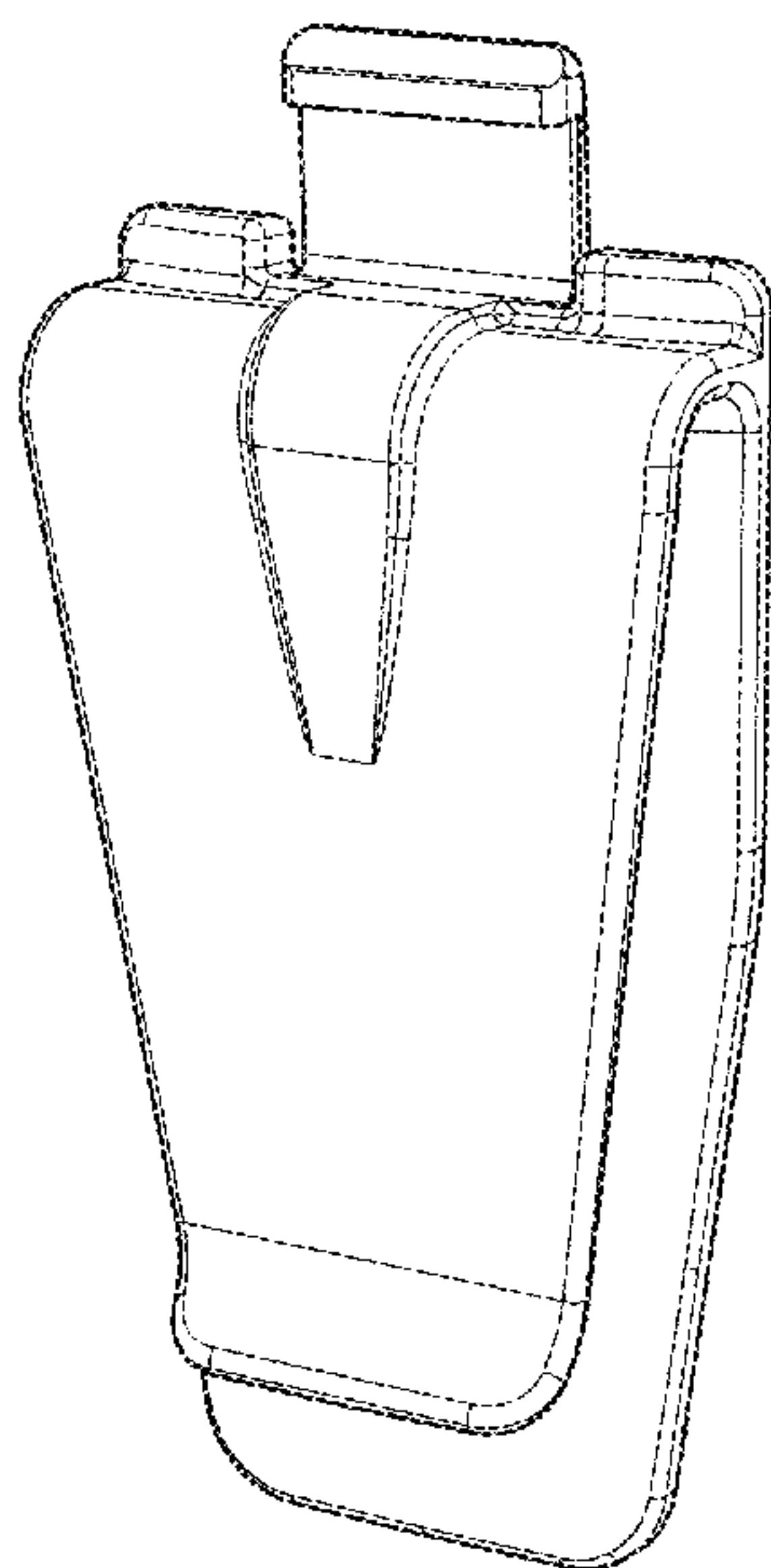
- 1,668,429 A \* 5/1928 Simon ..... B42F 9/00  
24/67.11
- D268,848 S \* 5/1983 Lorber ..... D19/65
- 5,011,189 A \* 4/1991 Olson ..... B42D 1/006  
281/3.1
- D349,398 S \* 8/1994 Ezzo ..... D11/215
- D352,963 S \* 11/1994 Siler ..... D19/65
- D355,097 S \* 2/1995 Ostensen ..... D7/601
- D363,453 S \* 10/1995 Herdt ..... D11/78.1
- D393,797 S \* 4/1998 Kostigian ..... D32/64
- D394,454 S \* 5/1998 Williams ..... D19/34
- D437,613 S \* 2/2001 Melnyk ..... D19/34

(57) **CLAIM**  
The ornamental design for a clip, as shown and described.

**DESCRIPTION**

FIG. 1 is a front perspective view of a clip;  
FIG. 2 is a back perspective view of the clip of FIG. 1;  
FIG. 3 is a front view of the clip of FIG. 1;  
FIG. 4 is a back view of the clip of FIG. 1;  
FIG. 5 is a right side view of the clip of FIG. 1;  
FIG. 6 is a left side view of the clip of FIG. 1;  
FIG. 7 is a top view of the clip of FIG. 1; and,  
FIG. 8 is a bottom view of the clip of FIG. 1.

**1 Claim, 3 Drawing Sheets**



(56)

References Cited

U.S. PATENT DOCUMENTS

D566,537 S *	4/2008	Wen-Po	.....	D8/395
D615,263 S *	5/2010	Kent	.....	D32/54
D619,451 S *	7/2010	Carlesso	.....	D16/237
D631,738 S *	2/2011	Haas	.....	D8/395
D688,586 S *	8/2013	Diehl	.....	D11/78.1
D711,284 S *	8/2014	Crumbley	.....	D11/215
D715,631 S *	10/2014	Szymanski	.....	D8/395
D716,137 S *	10/2014	Szymanski	.....	D8/395
2006/0137149 A1 *	6/2006	Thomson	.....	A45C 1/06 24/489

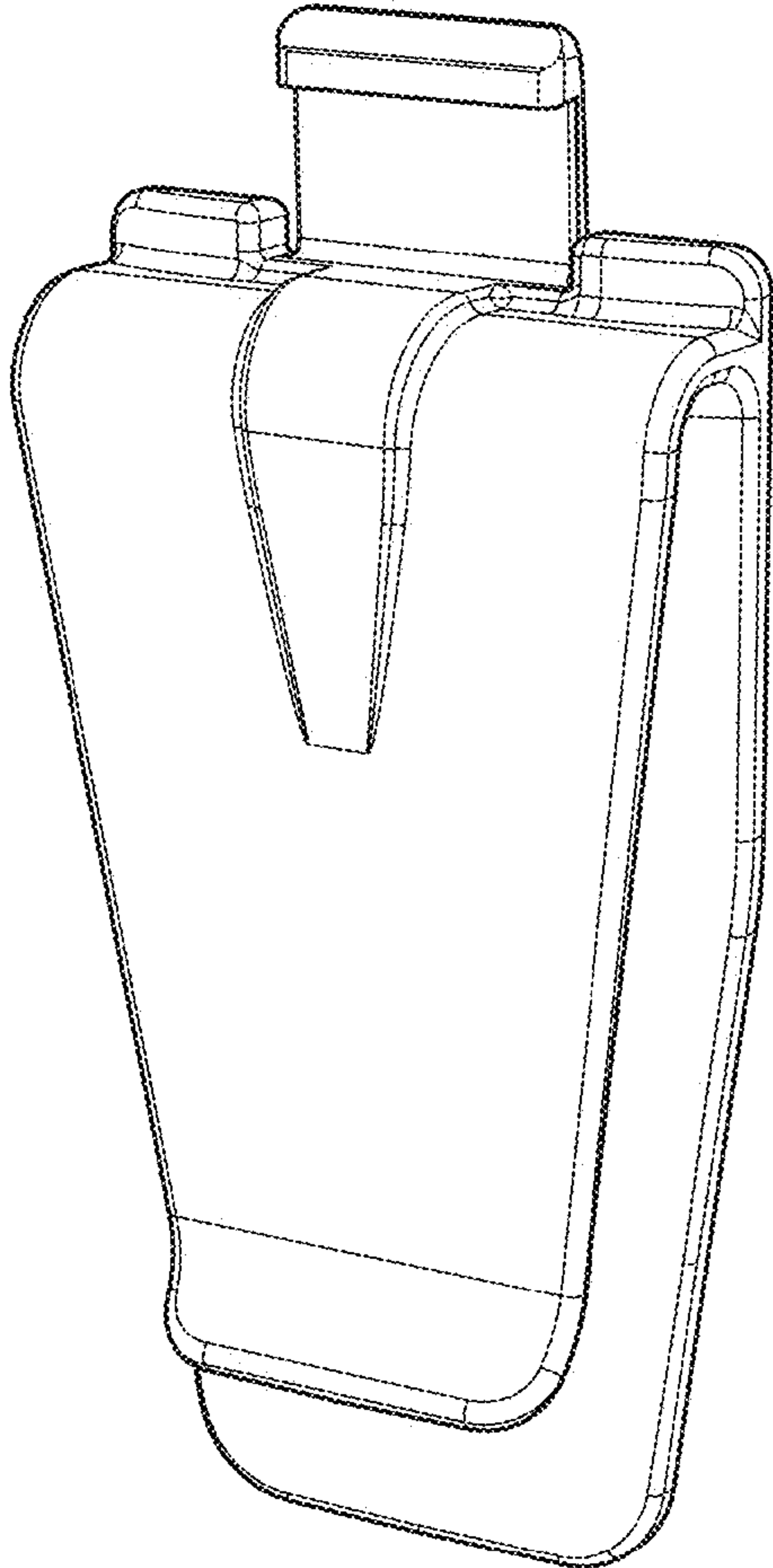
OTHER PUBLICATIONS

Amazon.com: Nite Ize Connect Case for iPhone 6 Plus, oldest review Mar. 27, 2015, online, [http://www.amazon.com/Nite-Ize-Connect-Case-iPhone/dp/B00SA70AJQ/ref=cm\\_cr\\_pr\\_product\\_top?ie=UTF8](http://www.amazon.com/Nite-Ize-Connect-Case-iPhone/dp/B00SA70AJQ/ref=cm_cr_pr_product_top?ie=UTF8), site visited [Jan. 6, 2016 12:57:54 AM].\*

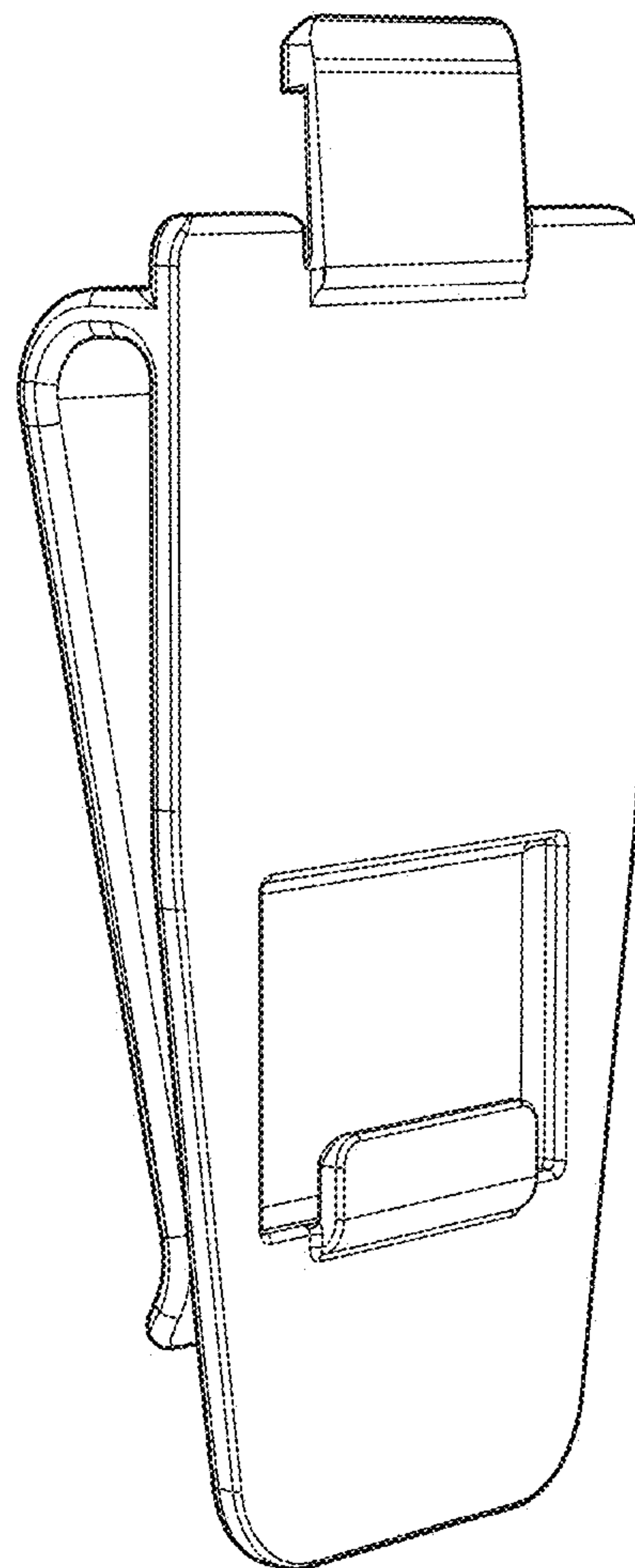
NPL Turtleback phone case with belt clip, online, website copyright 2016, site visited Jan. 6, 2016, <http://www.turtlebackcase.com/case-heavy-duty-leather-for-casio-gzone-boulder-c711-flip-phone-case-with-rotating-metal-belt-clip/>.\*

\* cited by examiner

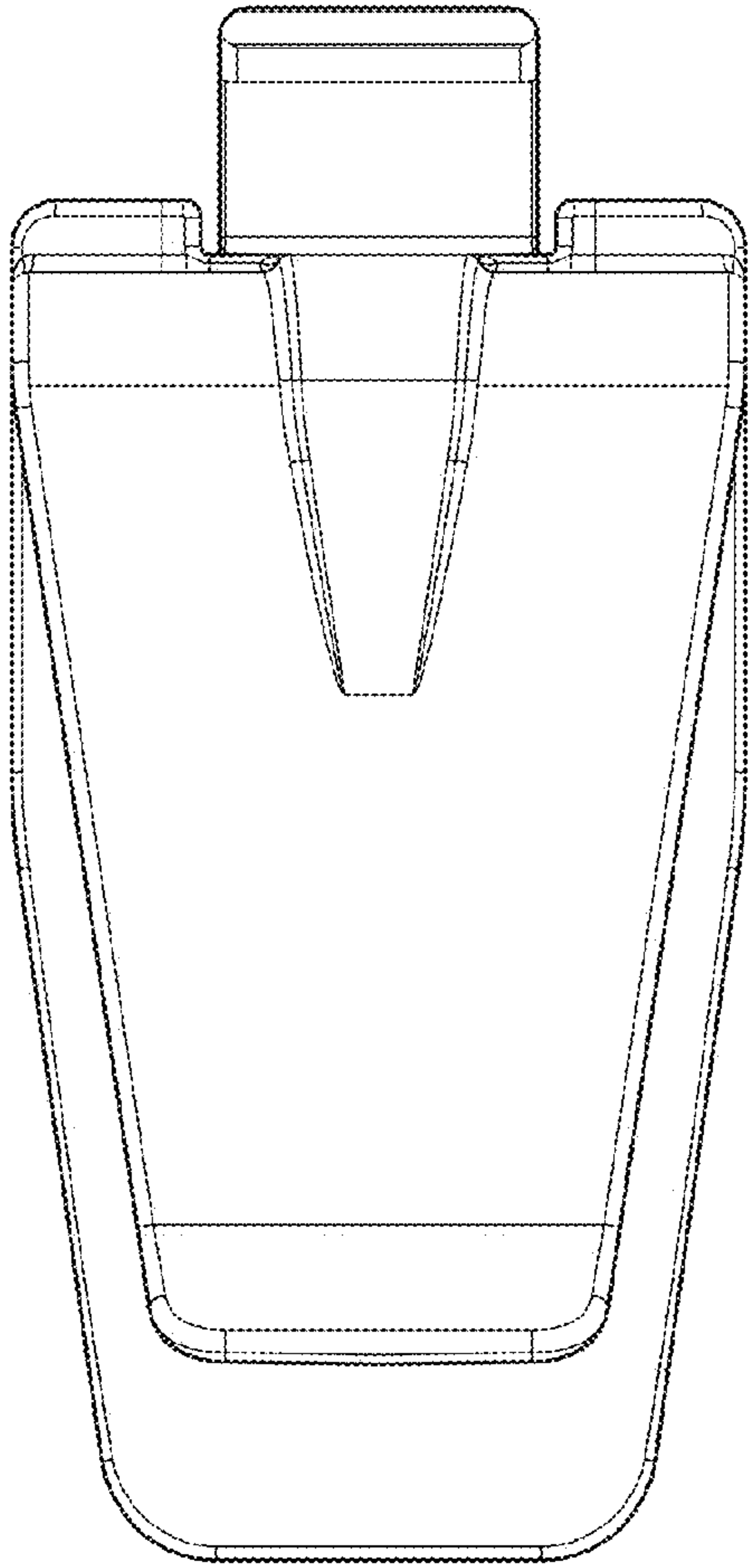
**FIG. 1**



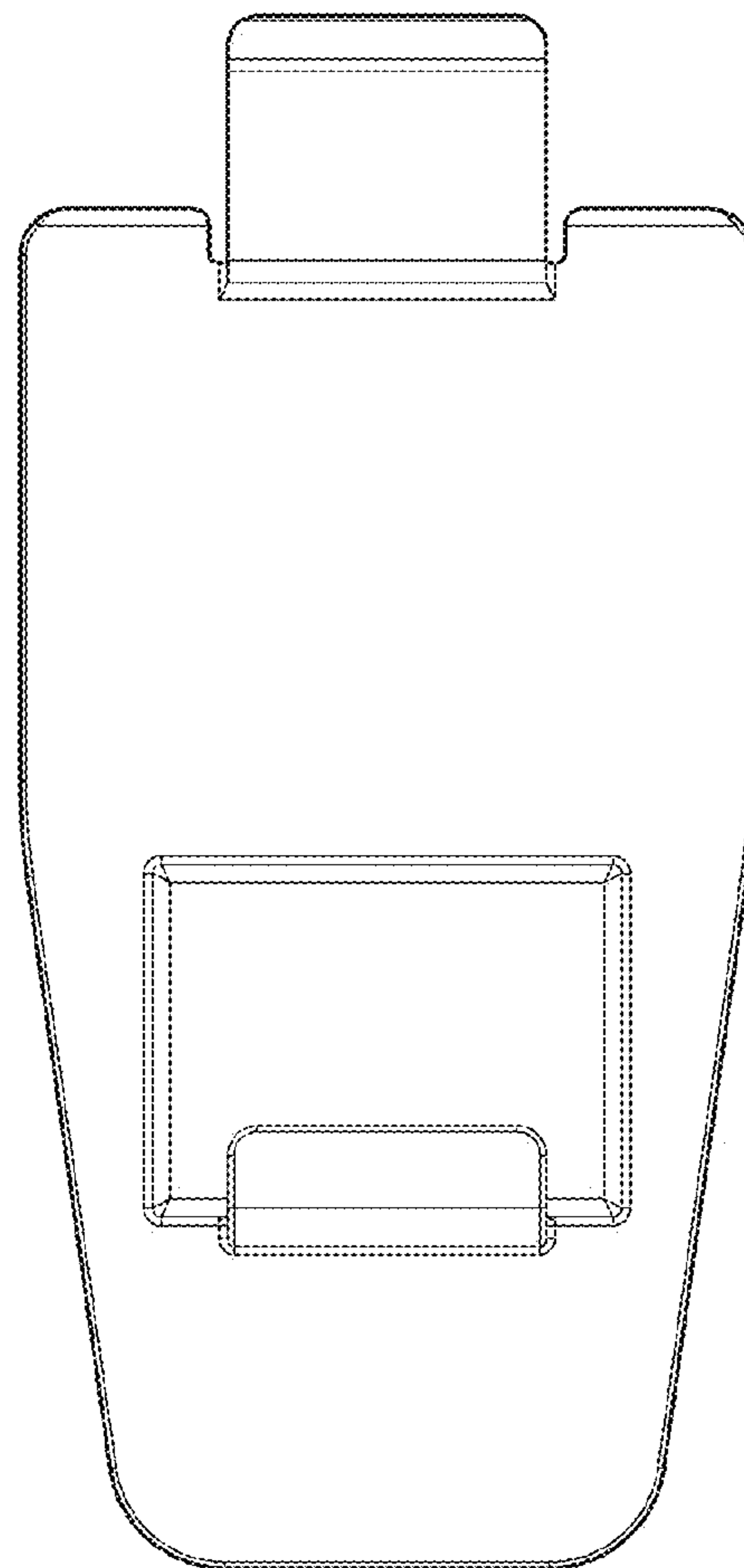
**FIG. 2**



**FIG. 3**

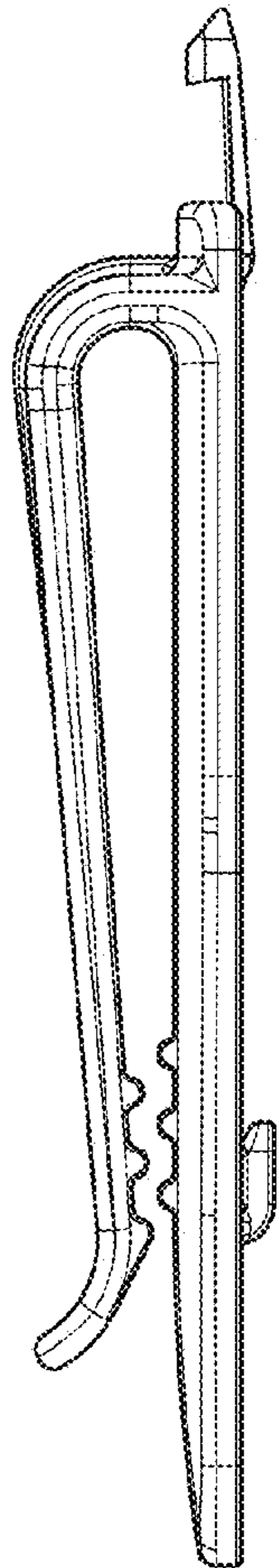


**FIG. 4**

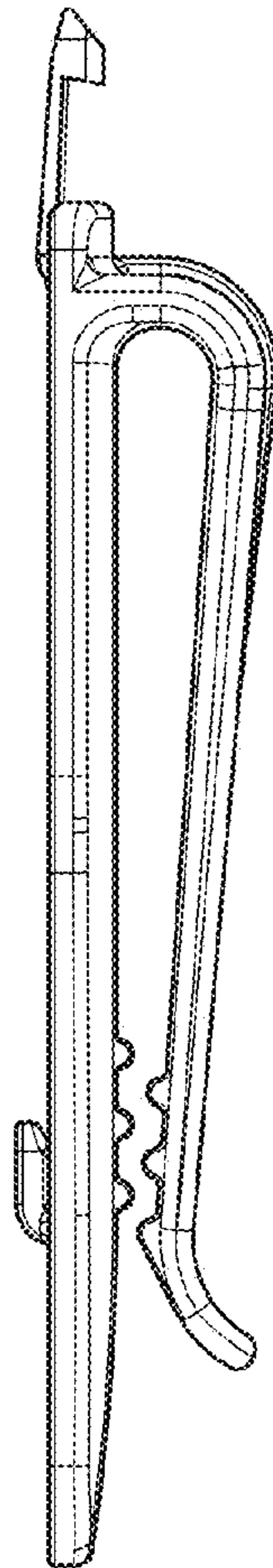




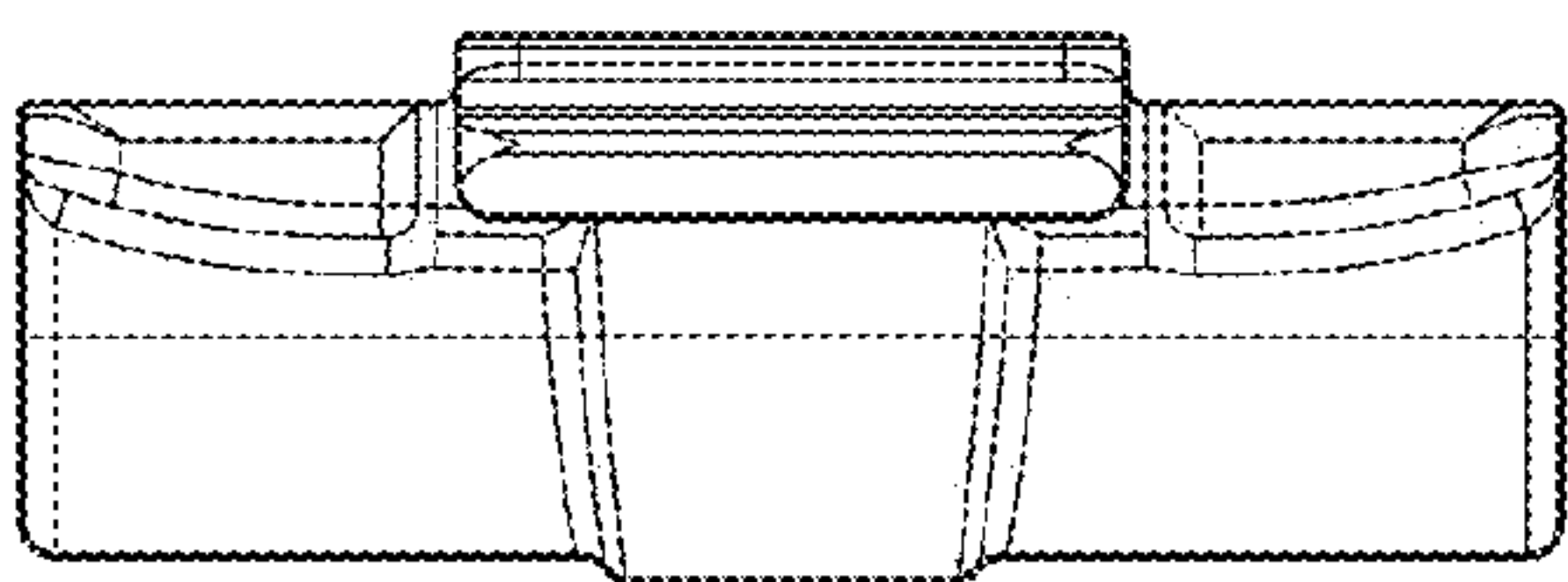
**FIG. 5**



**FIG. 6**



**FIG. 7**



**FIG. 8**

