



US00D757532S

(12) **United States Design Patent**
Cerar et al.

(10) **Patent No.:** **US D757,532 S**
(45) **Date of Patent:** **** May 31, 2016**

- (54) **WATER METER CLIP**
- (71) Applicant: **Meter Technology Werks, LLC**, Tampa, FL (US)
- (72) Inventors: **Steve Cerar**, Tampa, FL (US); **Matthew White**, Tampa, FL (US)
- (73) Assignee: **Meter Technology Werks, LLC**, Tampa, FL (US)
- (**) Term: **14 Years**
- (21) Appl. No.: **29/520,240**
- (22) Filed: **Mar. 12, 2015**
- (51) **LOC (10) Cl.** **08-08**
- (52) **U.S. Cl.**
USPC **D8/394; D10/103**
- (58) **Field of Classification Search**
USPC **D8/394, 395; D10/103**
CPC **Y10T 24/1652; Y10T 24/44; Y10T 24/44991**
See application file for complete search history.

- 4,609,217 A * 9/1986 Nielsen, Jr. F16B 41/007
292/307 B
- 4,646,378 A * 3/1987 Borden A62B 3/005
7/138
- 4,794,675 A * 1/1989 Bisconti B62H 5/00
211/17
- 5,758,392 A * 6/1998 Anscher B60R 7/005
24/599.9
- D559,672 S * 1/2008 Alexander D8/384

* cited by examiner

Primary Examiner — Antoine D Davis

(74) *Attorney, Agent, or Firm* — Peretz Chesal & Herrman; Joseph R. Englander

(57) **CLAIM**

The ornamental design for a water meter clip, as shown and described.

DESCRIPTION

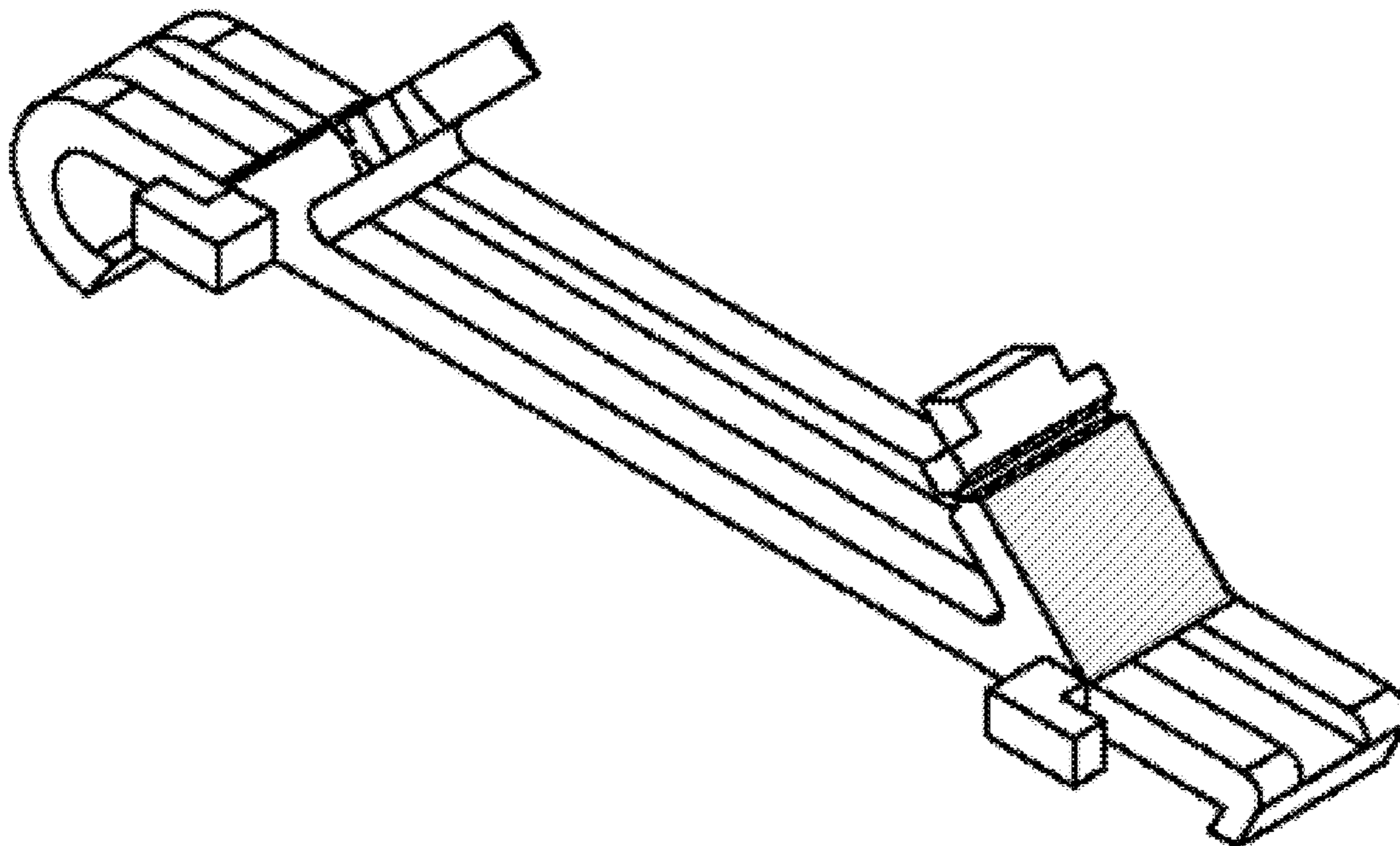
FIG. 1 is a front perspective view of the design.
 FIG. 2 is a top view of the design.
 FIG. 3 is a bottom view of the design.
 FIG. 4 is a left plan view of the design.
 FIG. 5 is a right plan view of the design.
 FIG. 6 is a front side view of the design; and,
 FIG. 7 is a back side view of the design.
 The shading on the water meter clip in FIGS. 1 and 2 is good for illustrating contour and forms no part of the claimed design.

1 Claim, 7 Drawing Sheets

(56) **References Cited**

U.S. PATENT DOCUMENTS

- 30,403 A * 10/1860 Sherwood A01F 11/06
460/47
- 4,471,982 A * 9/1984 Nielsen, Jr. F16B 41/007
292/307 B



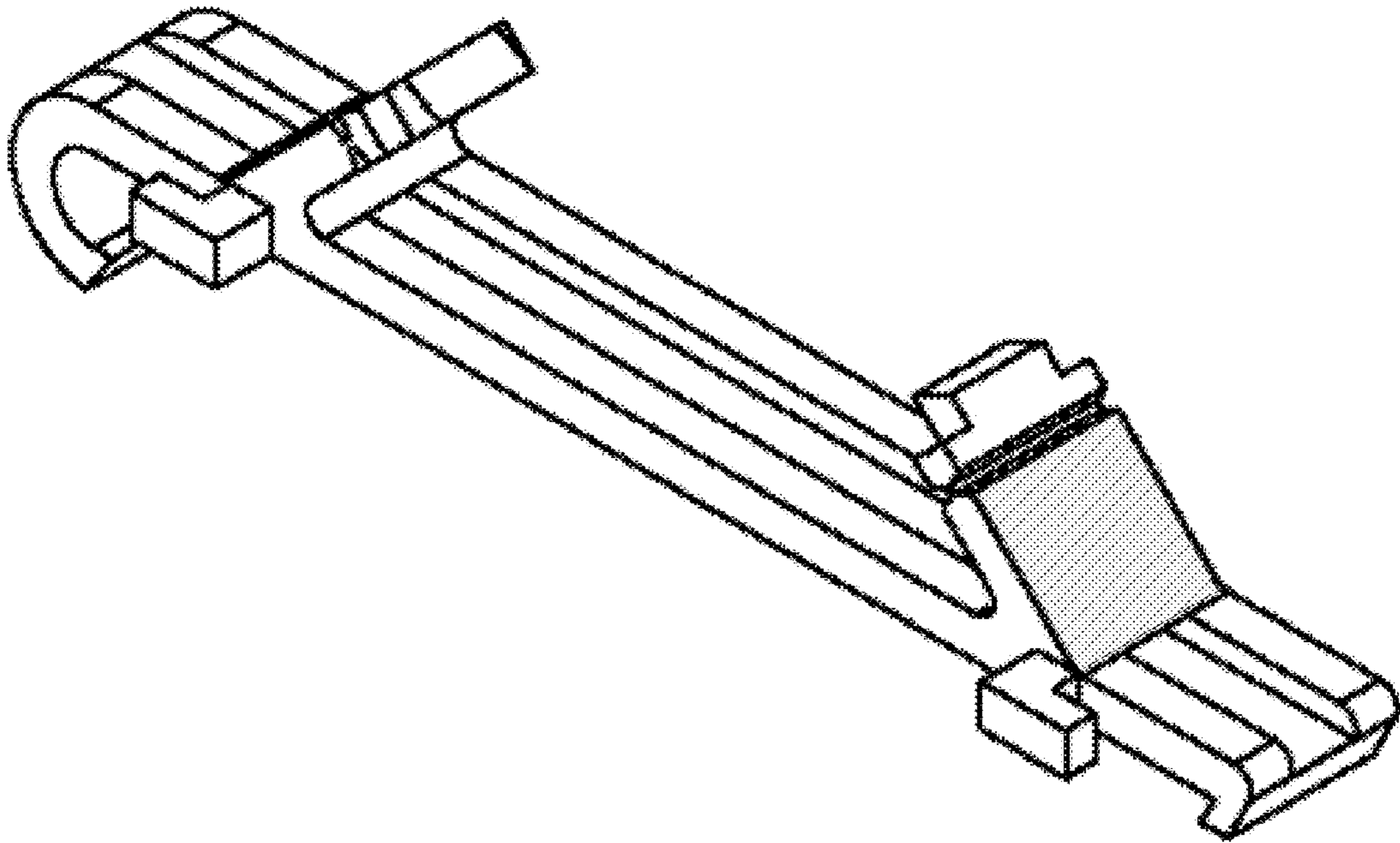


FIG. 1

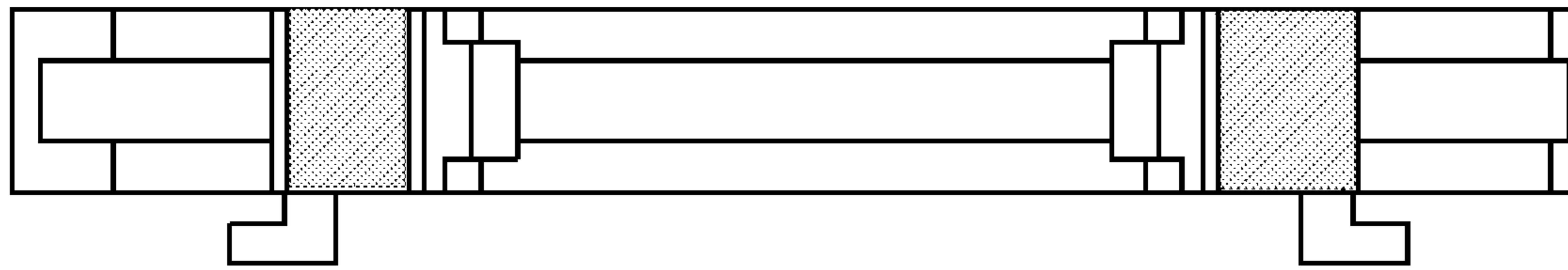


FIG. 2

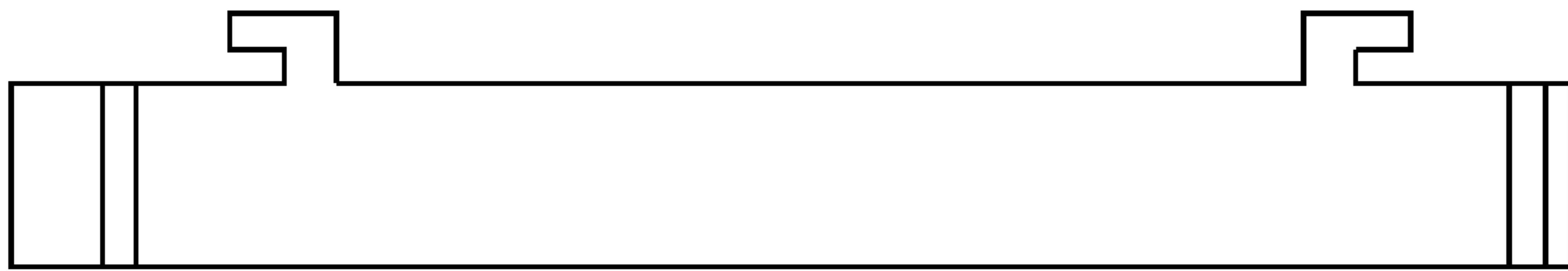


FIG. 3

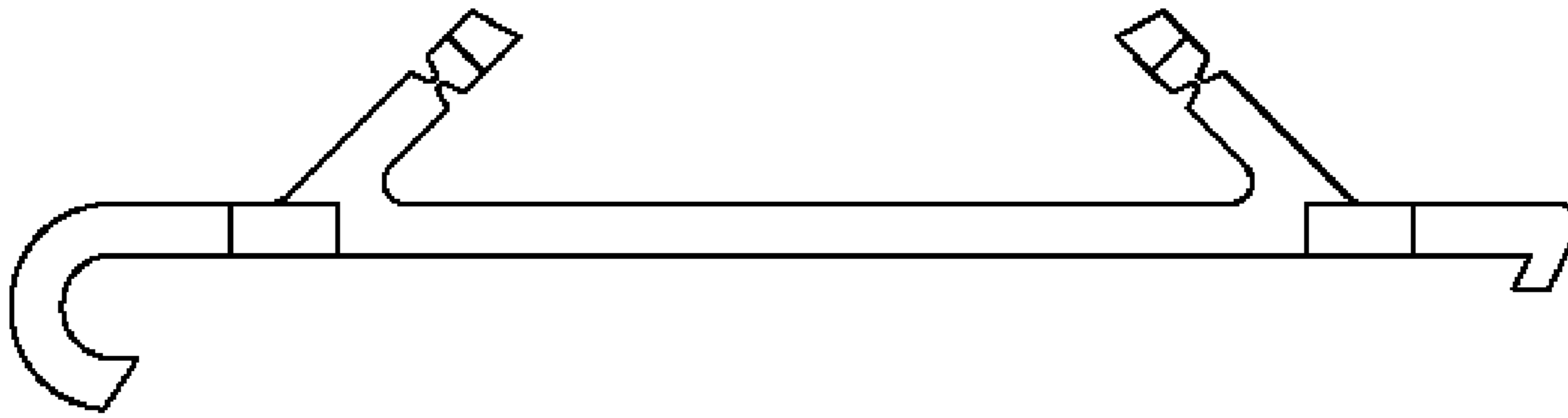


FIG. 4

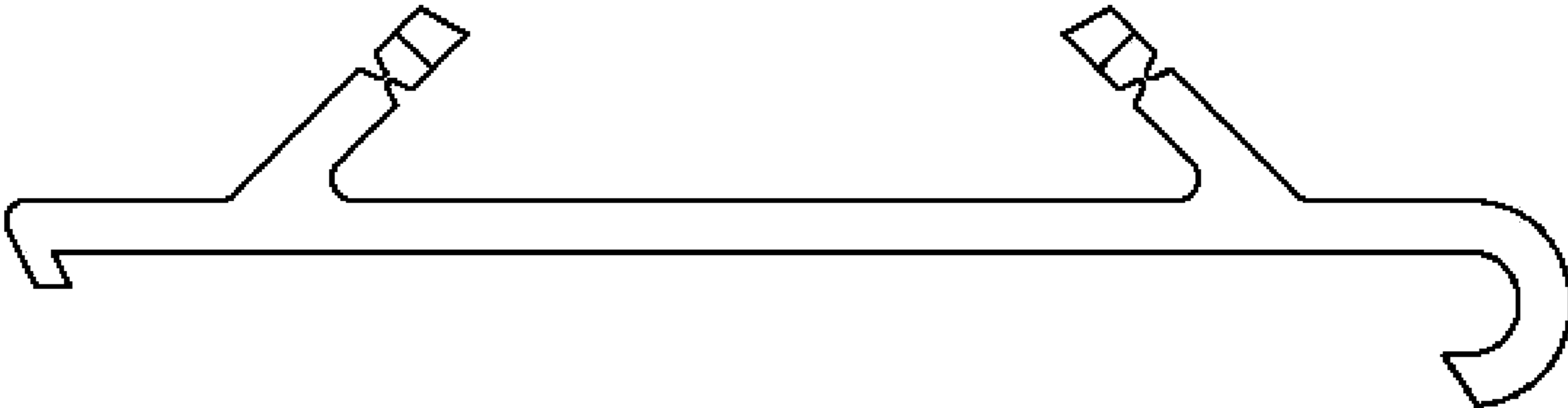


FIG. 5

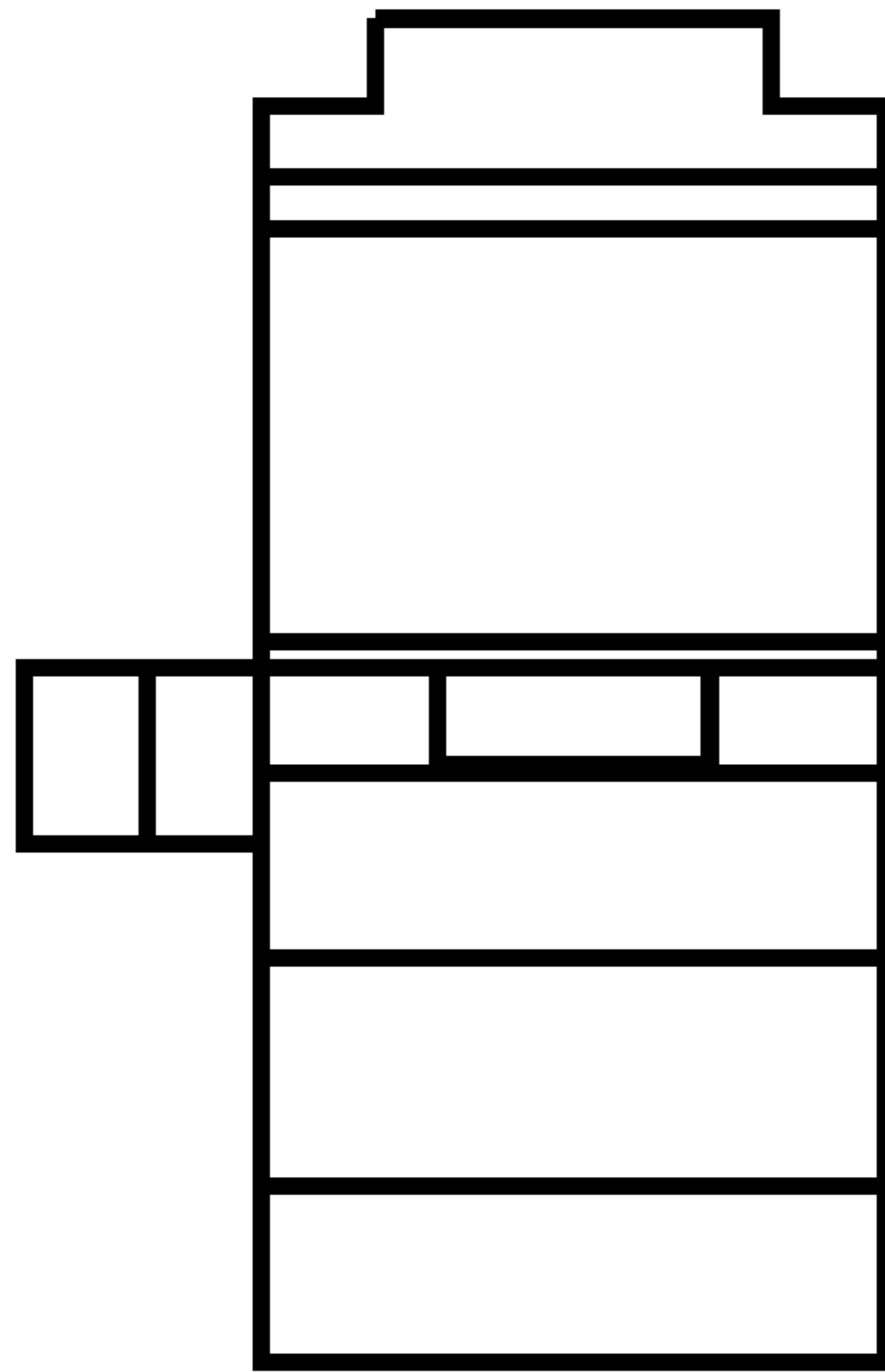


FIG. 6

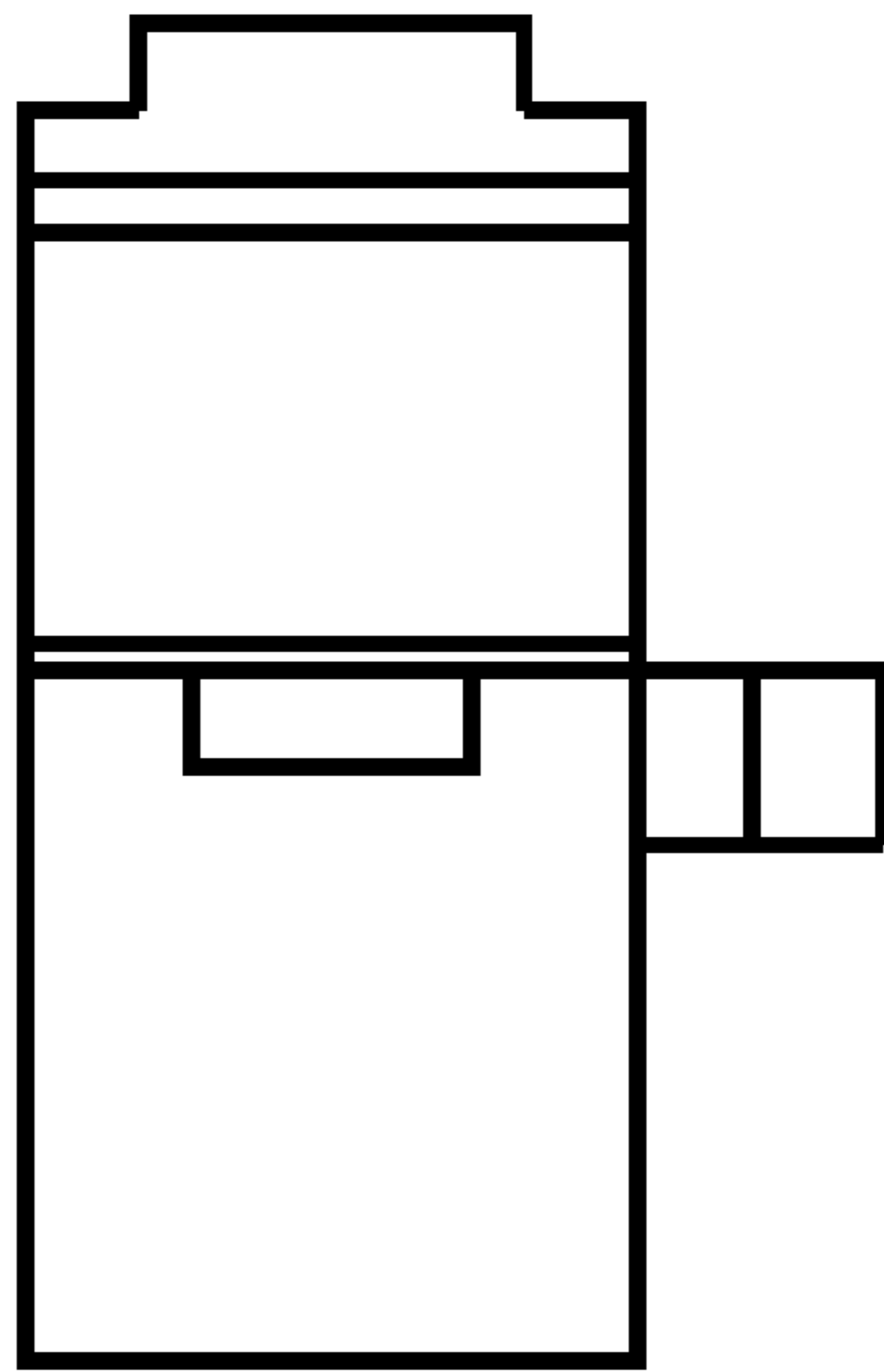


FIG. 7