



US00D757531S

(12) **United States Design Patent**
Rusher

(10) **Patent No.:** **US D757,531 S**

(45) **Date of Patent:** **** May 31, 2016**

- (54) **CEILING TILE RECEIVER KIT**
- (71) Applicant: **Ryan Rusher**, Yankton, SD (US)
- (72) Inventor: **Ryan Rusher**, Yankton, SD (US)
- (**) Term: **14 Years**

- D554,486 S * 11/2007 Emblin D8/382
- D570,674 S * 6/2008 Boylan D25/121
- D609,373 S * 2/2010 Curtas D25/199
- D621,245 S * 8/2010 Heindl D8/382
- D657,661 S * 4/2012 Cochrane D8/382
- D667,721 S * 9/2012 Morton D25/121
- D739,960 S * 9/2015 Britton D25/126

(Continued)

- (21) Appl. No.: **29/510,915**
- (22) Filed: **Dec. 4, 2014**
- (51) **LOC (10) Cl.** **08-08**
- (52) **U.S. Cl.**
USPC **D8/394**

FOREIGN PATENT DOCUMENTS

- JP D1472113 * 6/2013
- JP D1473732 * 7/2013

- (58) **Field of Classification Search**
USPC D8/394–396, 349, 353–354, 364,
D8/376–377, 382–383; D25/126–127,
D25/131–134, 138–140, 199
CPC E04F 21/18; A47C 9/00; A47C 7/66;
A47C 21/022; B65G 21/20; B65G 21/2072;
B65G 7/12; F16B 21/086; F16B 13/061;
F16B 13/0808; A01K 97/10; A41B 1/16;
A44B 17/0011
See application file for complete search history.

OTHER PUBLICATIONS

Ceilingmax 100 sq. ft. Ceiling Grid Kit White-182-00—The Home Depot, online, oldest review 2010, <http://www.homedepot.com/p/Ceilingmax-100-sq-ft-Ceiling-Grid-Kit-White-182-00/100521670>, [site visited Dec. 26, 2015].*

(Continued)

Primary Examiner — John Windmuller
Assistant Examiner — John R Yeh

(57) **CLAIM**

The ornamental design for a ceiling tile receiver kit, as shown and described.

(56) **References Cited**

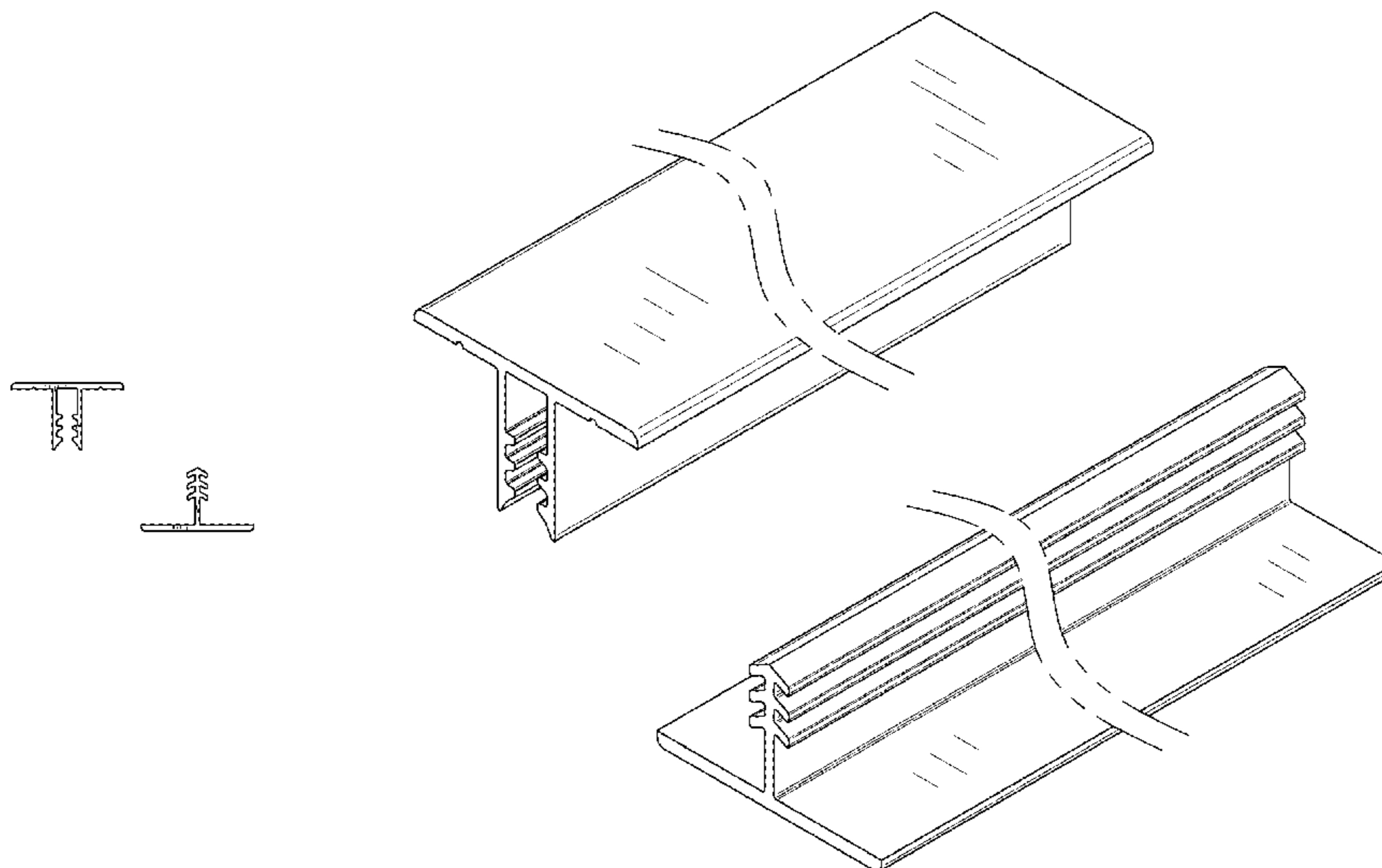
U.S. PATENT DOCUMENTS

- 2,319,058 A * 5/1943 Hansman B60R 13/02
411/352
- D322,634 S * 12/1991 Callas D20/42
- D324,329 S * 3/1992 Kleiss D25/131
- D376,754 S * 12/1996 Livingston D25/125
- D422,486 S * 4/2000 Wolfe D8/395
- D425,734 S * 5/2000 Bauer D8/377
- D463,581 S * 9/2002 Mann D25/119
- D488,373 S * 4/2004 Eberle D8/382
- D507,352 S * 7/2005 Vanderbrugghen D25/126
- D536,604 S * 2/2007 Folkema D8/382
- D536,955 S * 2/2007 Folkema D8/382
- D547,976 S * 8/2007 Torrente Bonatti D8/349
- D549,996 S * 9/2007 Guiles D25/119

DESCRIPTION

FIG. 1 is a front view of a ceiling tile receiver kit shown in an open configuration, the rear view being a mirror image thereof;
FIG. 2 is a right side view of the ceiling tile receiver kit, a left side view being a mirror image thereof;
FIG. 3 is a top view thereof;
FIG. 4 is a bottom view thereof;
FIG. 5 is an enlarged and broken-away top perspective view thereof; and,
FIG. 6 is an enlarged and broken-away bottom perspective view thereof.

1 Claim, 4 Drawing Sheets



(56)

References Cited

U.S. PATENT DOCUMENTS

D744,318 S * 12/2015 Laengle D8/354
2012/0255158 A1 * 10/2012 Kawasaki E04B 1/6129
29/525.01

OTHER PUBLICATIONS

USG® White Cross Tee (207904) Ceiling Material—Ace Hardware,
online, website copyright 2015, [site visited Dec. 26, 2015], [http://www.acehardware.com/product/index.jsp?productId=3044084
&cp=2568443.2568451.2624969.3050359](http://www.acehardware.com/product/index.jsp?productId=3044084&cp=2568443.2568451.2624969.3050359).*

* cited by examiner

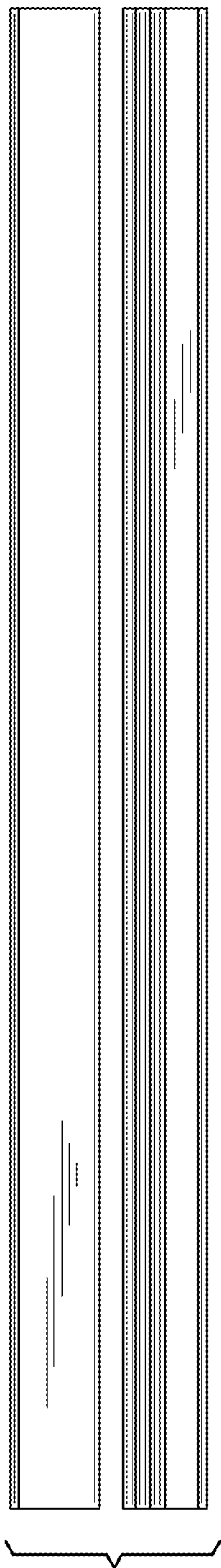


FIG. 1

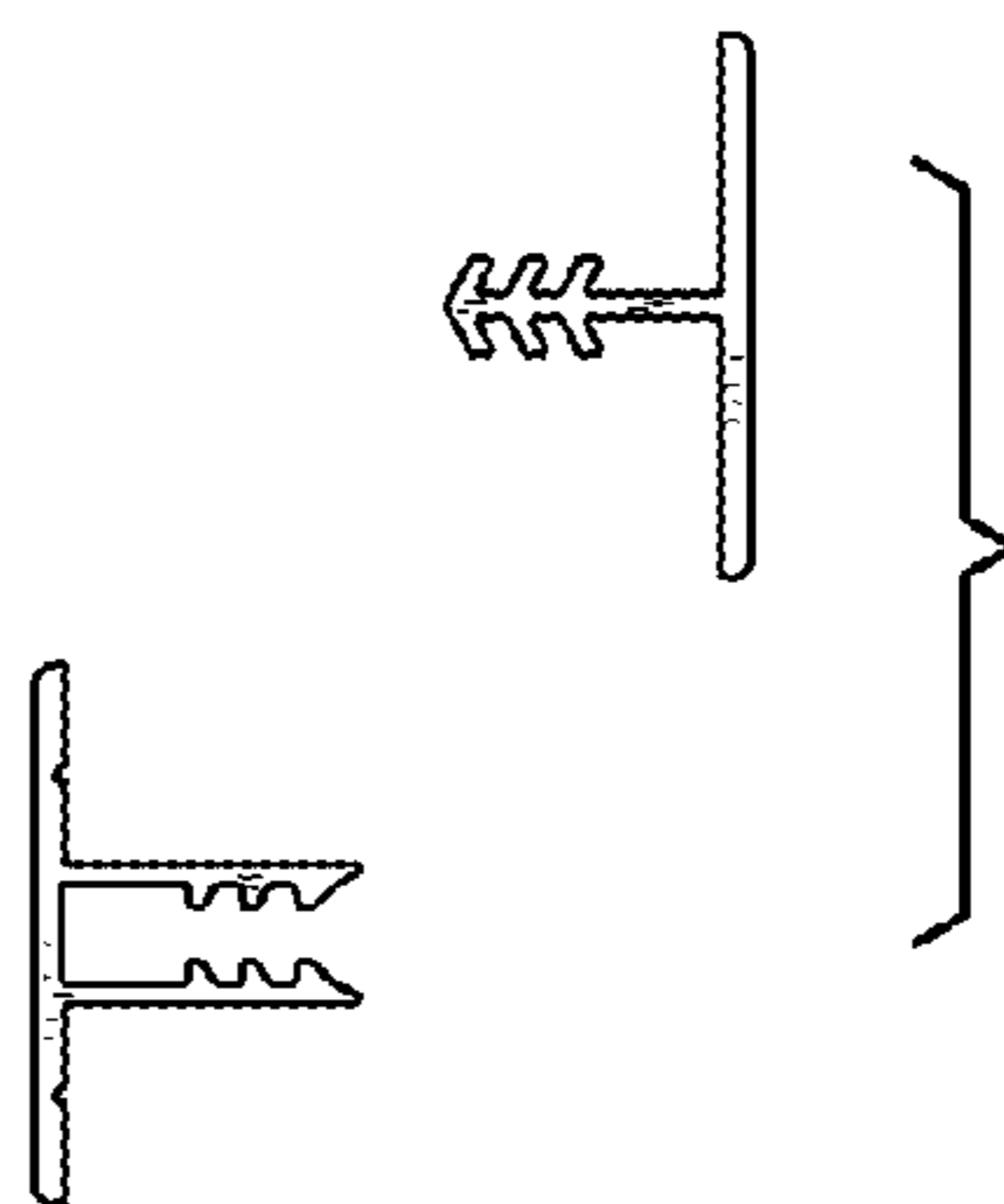


FIG. 2

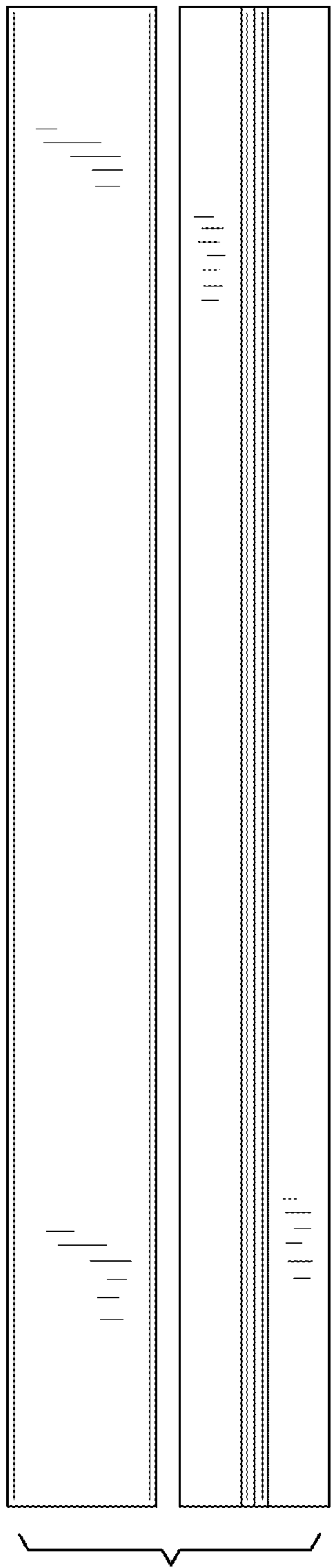


FIG. 3

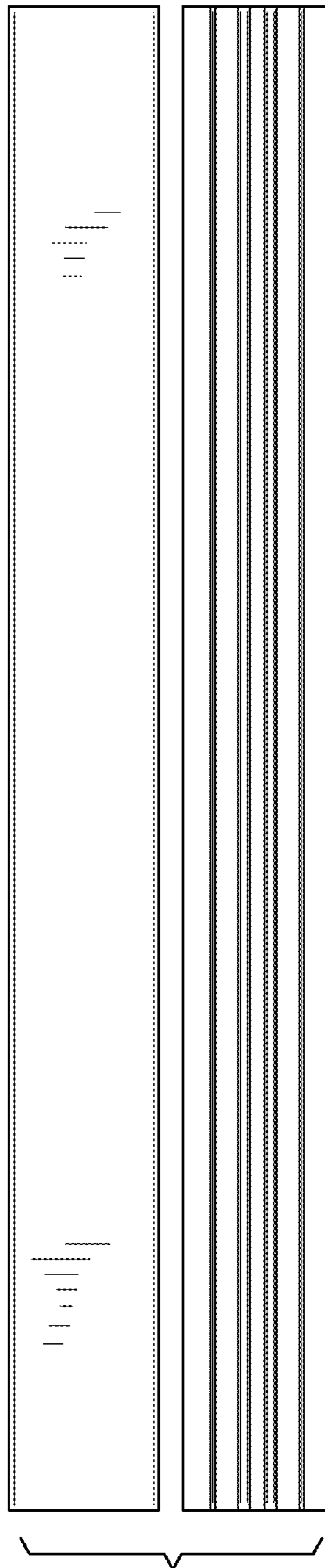


FIG. 4

