



US00D757530S

(12) **United States Design Patent**  
**Straney et al.**

(10) **Patent No.:** **US D757,530 S**  
(45) **Date of Patent:** **\*\* May 31, 2016**

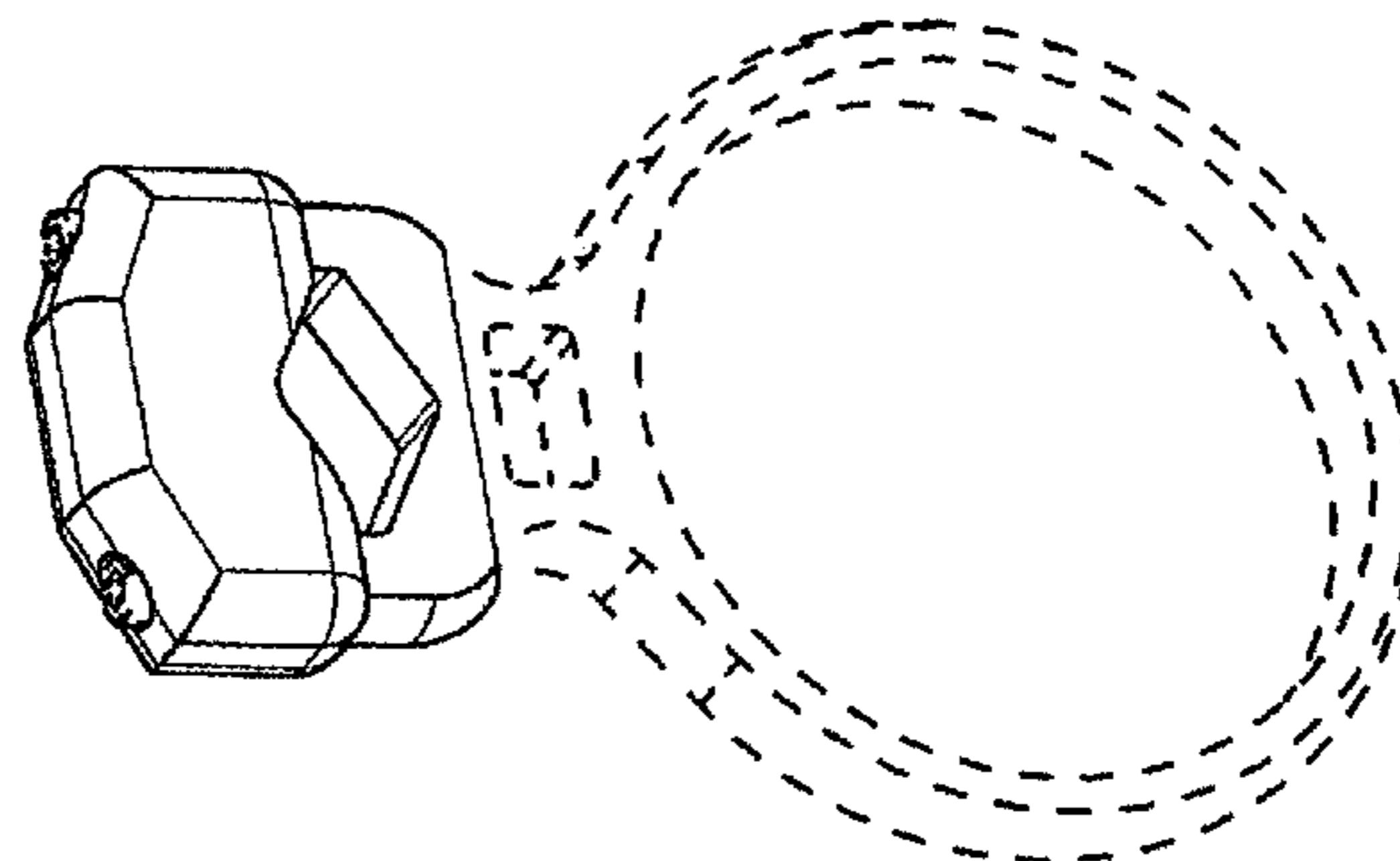
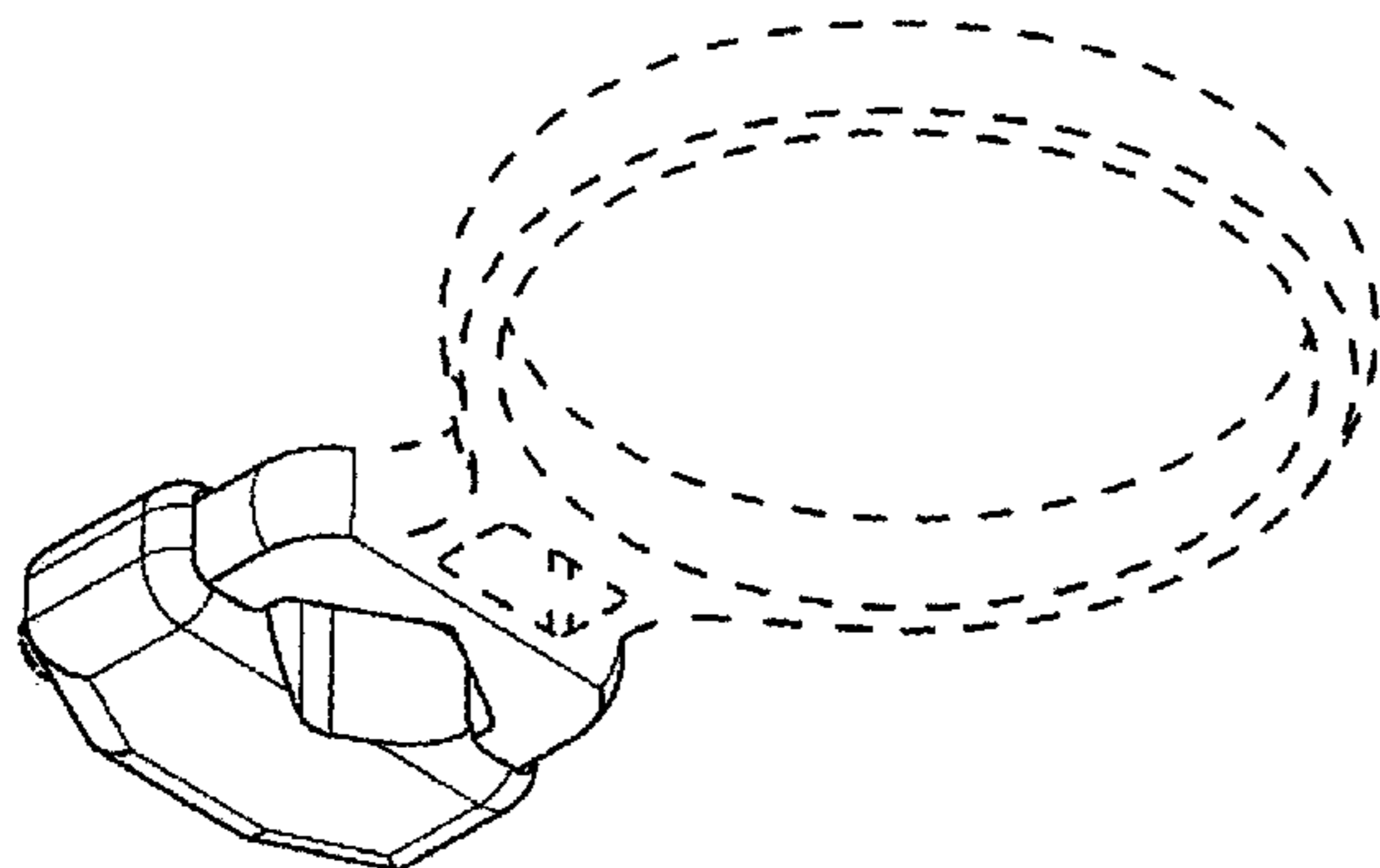
- (54) **UNIVERSAL CLAMP WITH SLIDABLE CLAMP PORTION AND HOLDER**
- (71) Applicant: **Cuda's Customs, LLC**, Merritt Island, FL (US)
- (72) Inventors: **Robert Dean Straney**, Merritt Island, FL (US); **Heather Renee Straney**, Merritt Island, FL (US)
- (73) Assignee: **Cuda's Customs, LLC**, Merritt Island, FL (US)
- (\*\*) Term: **14 Years**
- (21) Appl. No.: **29/499,397**
- (22) Filed: **Aug. 14, 2014**
- (51) **LOC (10) Cl.** ..... **08-08**
- (52) **U.S. Cl.**  
USPC ..... **D8/394**; D8/396
- (58) **Field of Classification Search**  
USPC ..... D8/394-396, 71-74, 499, 354-355; D22/134, 147-148, 199  
CPC ..... D06F 55/00; A41B 3/08; A41F 15/02; A01K 97/10; A01K 87/04; A01K 87/00; F16B 19/1081; F16B 47/00; G09F 3/14; B42F 1/006; B42F 1/08; B42F 9/001; F16L 3/12; A47F 7/02; B60N 3/102  
See application file for complete search history.

(56) **References Cited**

U.S. PATENT DOCUMENTS

- 58,833 A \* 10/1866 Isaacs ..... A01K 87/04 43/24
- 173,534 A \* 2/1876 Endicott ..... A01K 87/00 43/24
- 396,909 A \* 1/1889 Annin ..... A01K 87/00 43/25
- D32,201 S \* 2/1900 Rockwell ..... D8/395
- 682,730 A \* 9/1901 Mitchell ..... A01K 87/04 43/24

- 845,578 A \* 2/1907 Ross ..... F16L 3/12 348/74.1
- 1,264,446 A \* 4/1918 Sears ..... A01K 97/10 24/19
- 1,462,193 A \* 7/1923 Cook ..... B42F 3/00 24/561
- 1,654,876 A \* 1/1928 Hemming ..... A01K 97/10 248/533
- 1,669,934 A \* 5/1928 Goldwyn ..... F16L 3/12 24/1
- 1,777,884 A 10/1930 Horix
- 2,248,170 A 7/1941 Hansen
- 2,686,029 A 8/1954 Raymond
- 2,816,388 A \* 12/1957 Hartley ..... A01K 97/10 43/17
- 2,866,243 A \* 12/1958 Grimal ..... F16B 2/06 24/25
- 2,946,546 A \* 7/1960 Pokorny ..... A01K 97/10 248/230.5
- D207,276 S \* 3/1967 Nigon ..... D23/265
- 3,856,245 A \* 12/1974 Byerly ..... F16L 55/035 248/74.3
- 3,913,187 A \* 10/1975 Okuda ..... F16L 3/1075 24/16 PB
- 3,913,878 A 10/1975 Wayne
- D241,315 S \* 9/1976 Hug ..... D11/27
- 3,987,993 A 10/1976 Hopkins
- 4,186,508 A \* 2/1980 Howald ..... A01K 87/04 156/169
- 4,256,281 A 3/1981 Harris
- 4,270,724 A 6/1981 McMullen
- 5,597,148 A 1/1997 Gospodarich
- D396,801 S \* 8/1998 Petty ..... D8/356
- D420,569 S \* 2/2000 Evans ..... D8/382
- 6,095,466 A 8/2000 Sener
- 6,227,510 B1 5/2001 McMullen
- D456,234 S \* 4/2002 Keller ..... D8/396
- 6,719,254 B1 4/2004 Speiser
- 6,719,255 B2 4/2004 Chen
- 6,938,865 B1 9/2005 Day
- 7,350,755 B1 4/2008 Harrison
- 8,128,045 B2 3/2012 Skaggs
- 8,336,837 B2 12/2012 Gephart
- 2005/0097804 A1 \* 5/2005 Lee ..... A01K 87/04 43/24
- 2006/0043245 A1 \* 3/2006 Baker ..... A47F 5/04 248/218.4
- 2007/0283614 A1 \* 12/2007 Kessler ..... A01K 97/10 43/54.1
- 2011/0302857 A1 12/2011 McClellan et al.



FOREIGN PATENT DOCUMENTS

CN	3277684	*	2/2003
CN	3378710	*	7/2004
CN	301082369	*	12/2009
CN	301894151	*	4/2012
JP	D1294719	*	2/2007
JP	D1300435	*	5/2007

OTHER PUBLICATIONS

Dorman Help! 03644—C.V. Joint Boot Universal Clamp Kit | O'Reilly Auto Parts, website copyright 2015, online, <http://www.oreillyauto.com/site/c/detail/MTM0/03644/N0293>.

[oap?ck=Search\\_NO293\\_-1\\_-1&pt=N0293&ppt=C0362](http://www.oreillyauto.com/site/c/detail/MTM0/03644/N0293), [site visited Aug. 20, 2015 6:28:37 PM].\*

Gear Grabbers | LoadTamer Cargo Nets | Commercial | Military | Netting, website copyright 2013, <http://cargonets.com/geargrabbers.html>, [site visited Aug. 20, 2015 8:06:30 PM].\*

Roswell Wake-Air, Rope Hooks, Product C910-0019, [http://www.roswellwakeair.com/series\\_elite/wakeboard\\_tower\\_rope\\_hooks/](http://www.roswellwakeair.com/series_elite/wakeboard_tower_rope_hooks/), Aug. 14, 2014, 3 pages.

\* cited by examiner

*Primary Examiner* — John Windmuller

*Assistant Examiner* — John R Yeh

(74) *Attorney, Agent, or Firm* — Brian S. Steinberger; Law Offices of Brian S. Steinberger, PA

(57) **CLAIM**

The ornamental design for a universal clamp with slidable clamp portion and holder, as shown and described.

**DESCRIPTION**

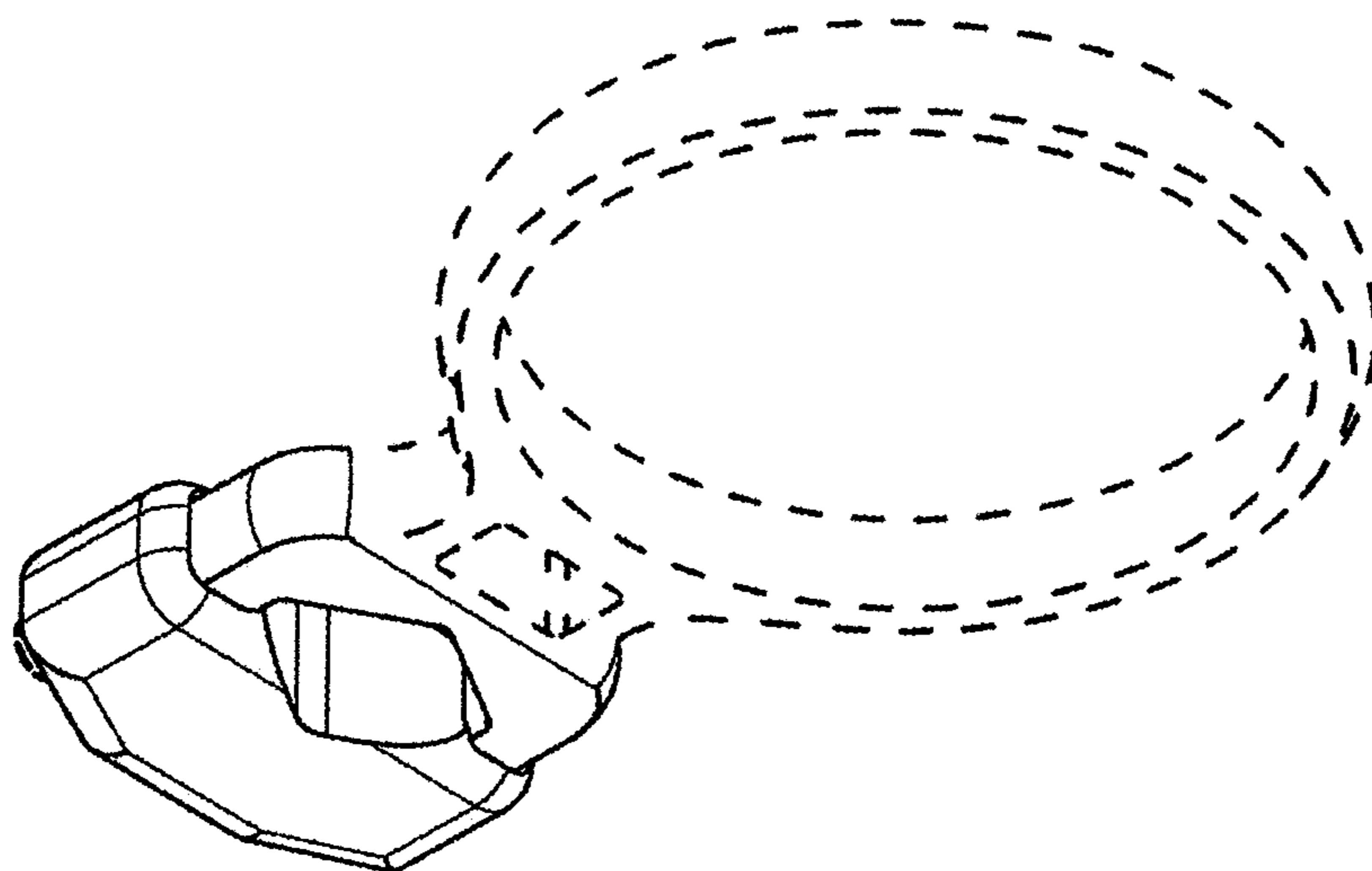
FIG. 1 is a lower front perspective view of the assembled universal clamp with slidable clamp portion and holder;

FIG. 2 is an upper rear perspective view thereof;  
 FIG. 3 is another upper rear perspective view thereof;  
 FIG. 4 is an upper front perspective view thereof;  
 FIG. 5 is a top view thereof;  
 FIG. 6 is a bottom view thereof;  
 FIG. 7 is a right side view thereof.  
 FIG. 8 is a left side view thereof;  
 FIG. 9 is a front end view thereof;  
 FIG. 10 is a rear end view thereof;  
 FIG. 11 is an upper rear perspective view of the slidable clamp portion;  
 FIG. 12 is an upper front perspective view thereof;  
 FIG. 13 is a rear right perspective view thereof;  
 FIG. 14 is a front perspective view thereof;  
 FIG. 15 is a top view thereof;  
 FIG. 16 is a bottom view thereof;  
 FIG. 17 is a left side view thereof;  
 FIG. 18 is a right side view thereof;  
 FIG. 19 is a rear view thereof;  
 FIG. 20 is a front view thereof;  
 FIG. 21 is an upper rear perspective view of the holder;  
 FIG. 22 is an upper front perspective view thereof;  
 FIG. 23 is a lower front perspective view thereof;  
 FIG. 24 is another upper front perspective view thereof;  
 FIG. 25 is an upper view thereof;  
 FIG. 26 is a lower view thereof;  
 FIG. 27 is a right side view thereof;  
 FIG. 28 is a left side view thereof;  
 FIG. 29 is a top view thereof; and,  
 FIG. 30 is a bottom view thereof.

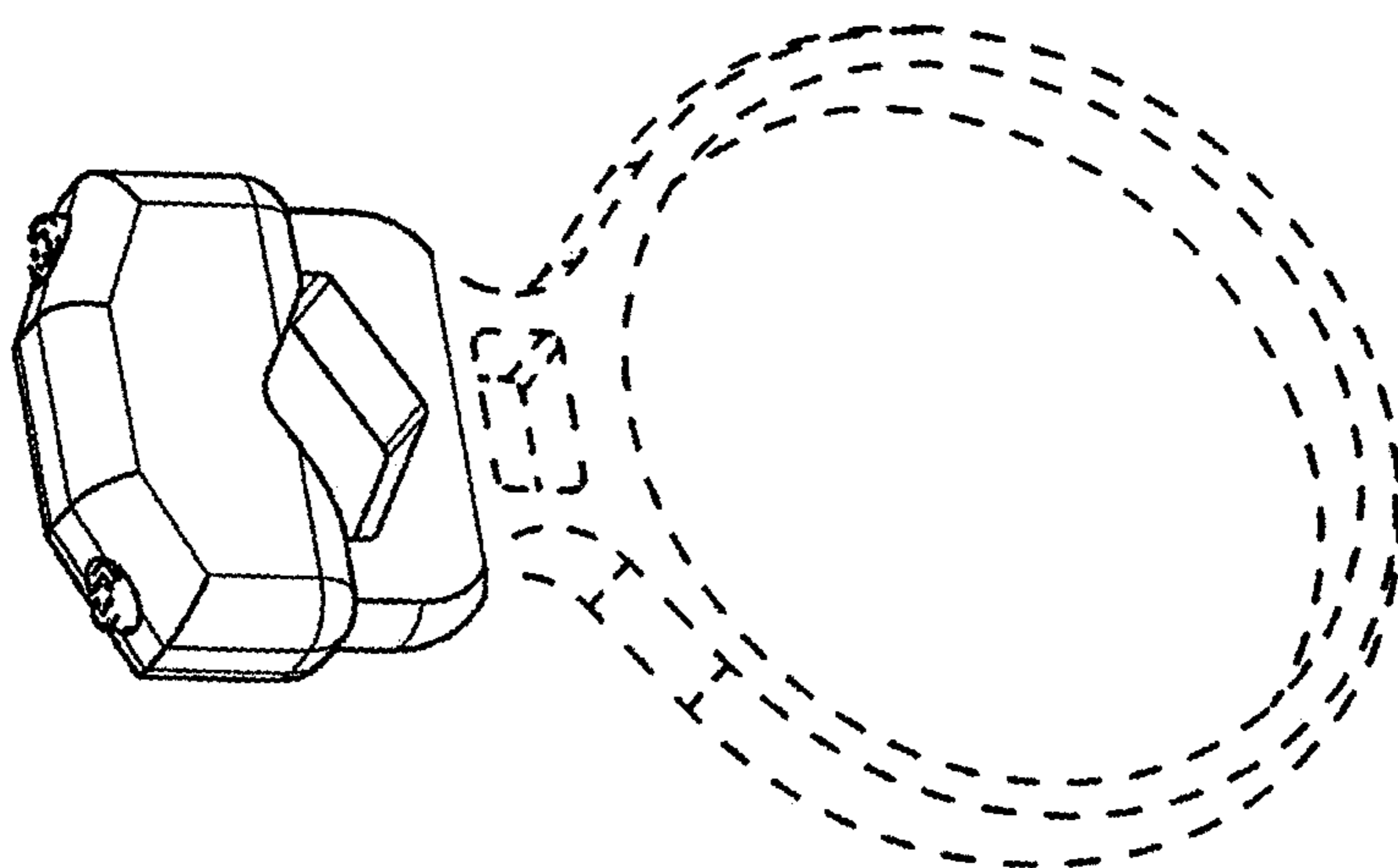
The broken lines in FIGS. 1-10 and 21-30 are for illustrative purposes and form no part of the claimed design.

**1 Claim, 15 Drawing Sheets**

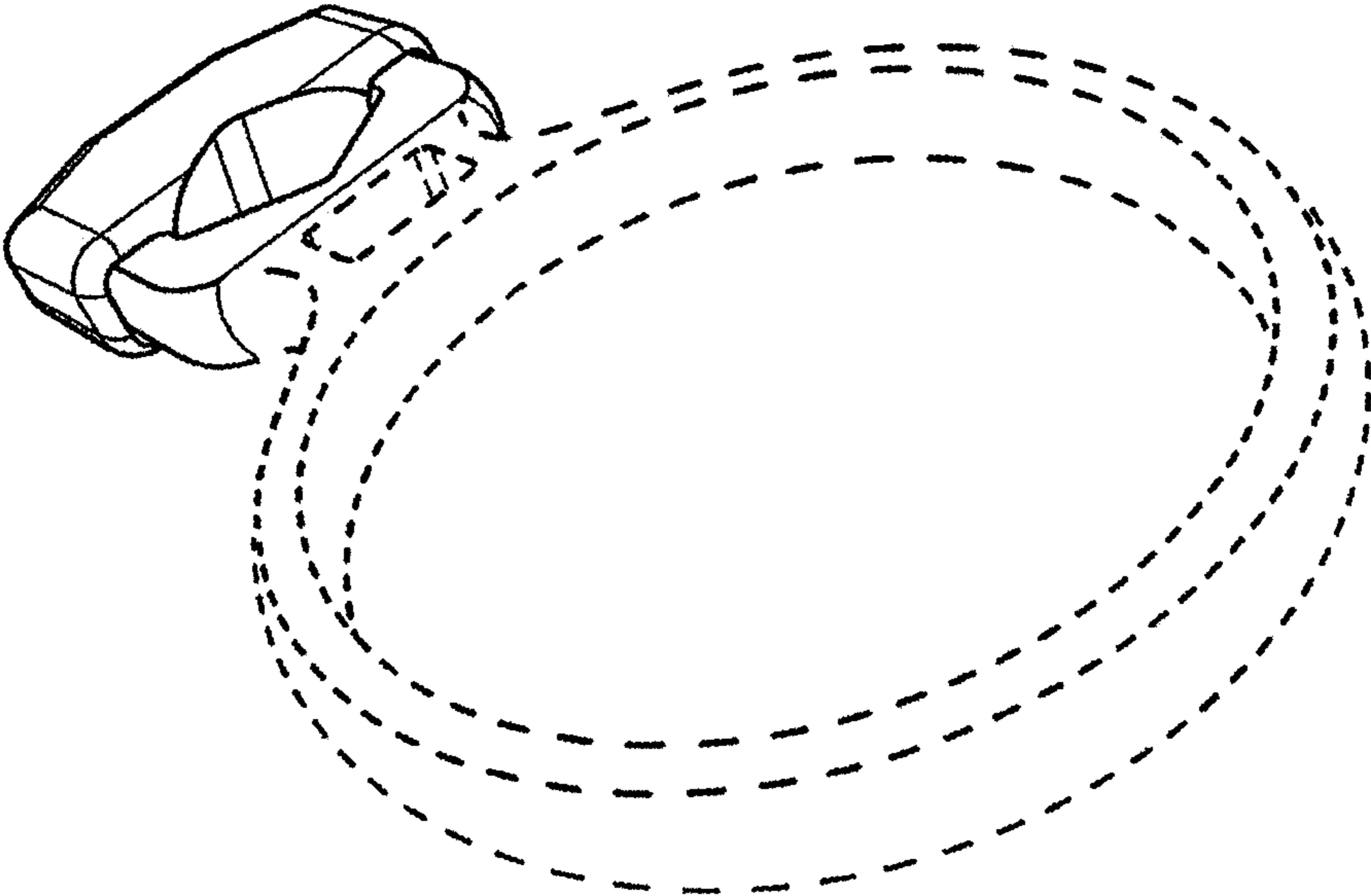
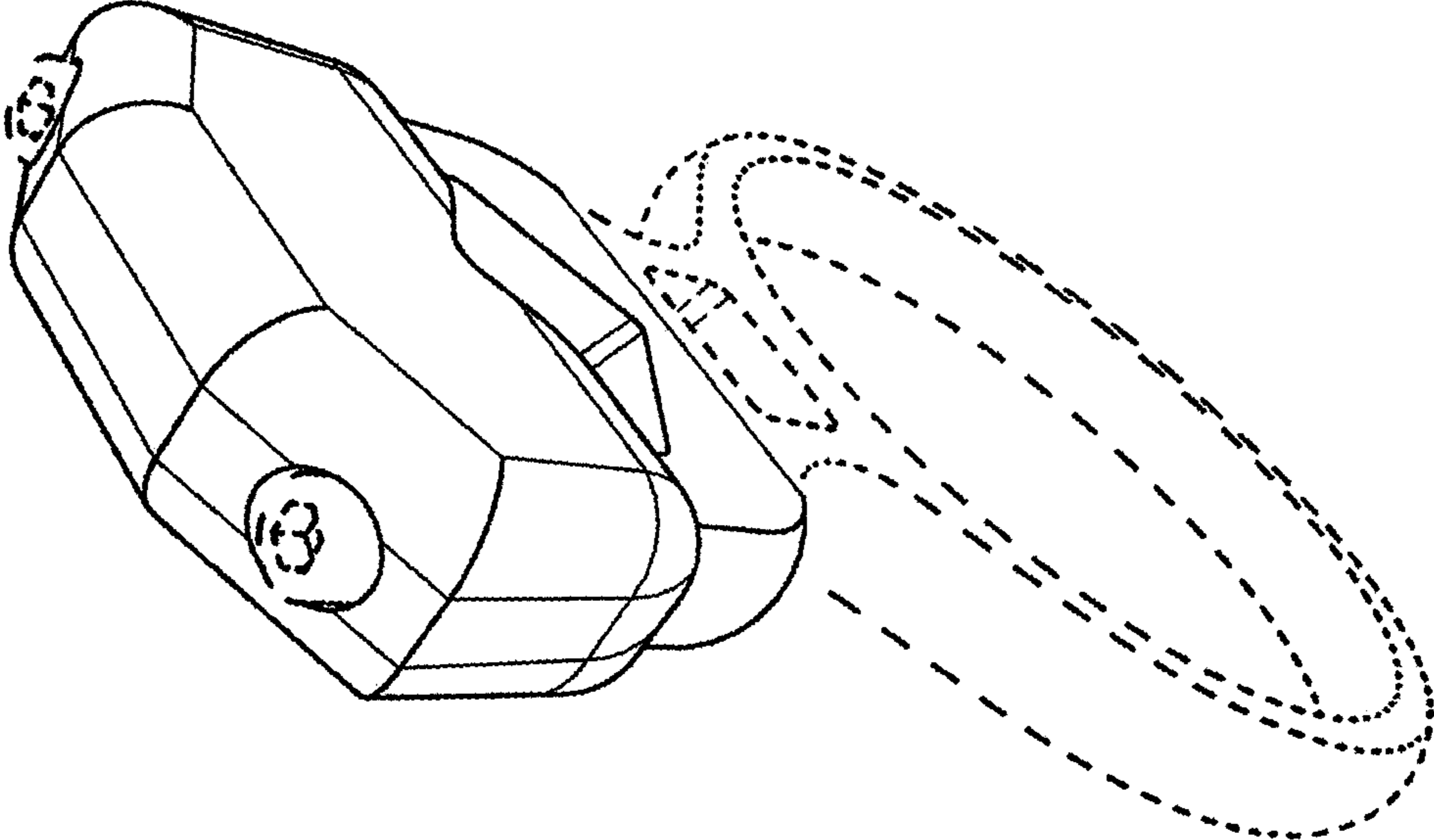
**FIG. 1**



**FIG. 2**



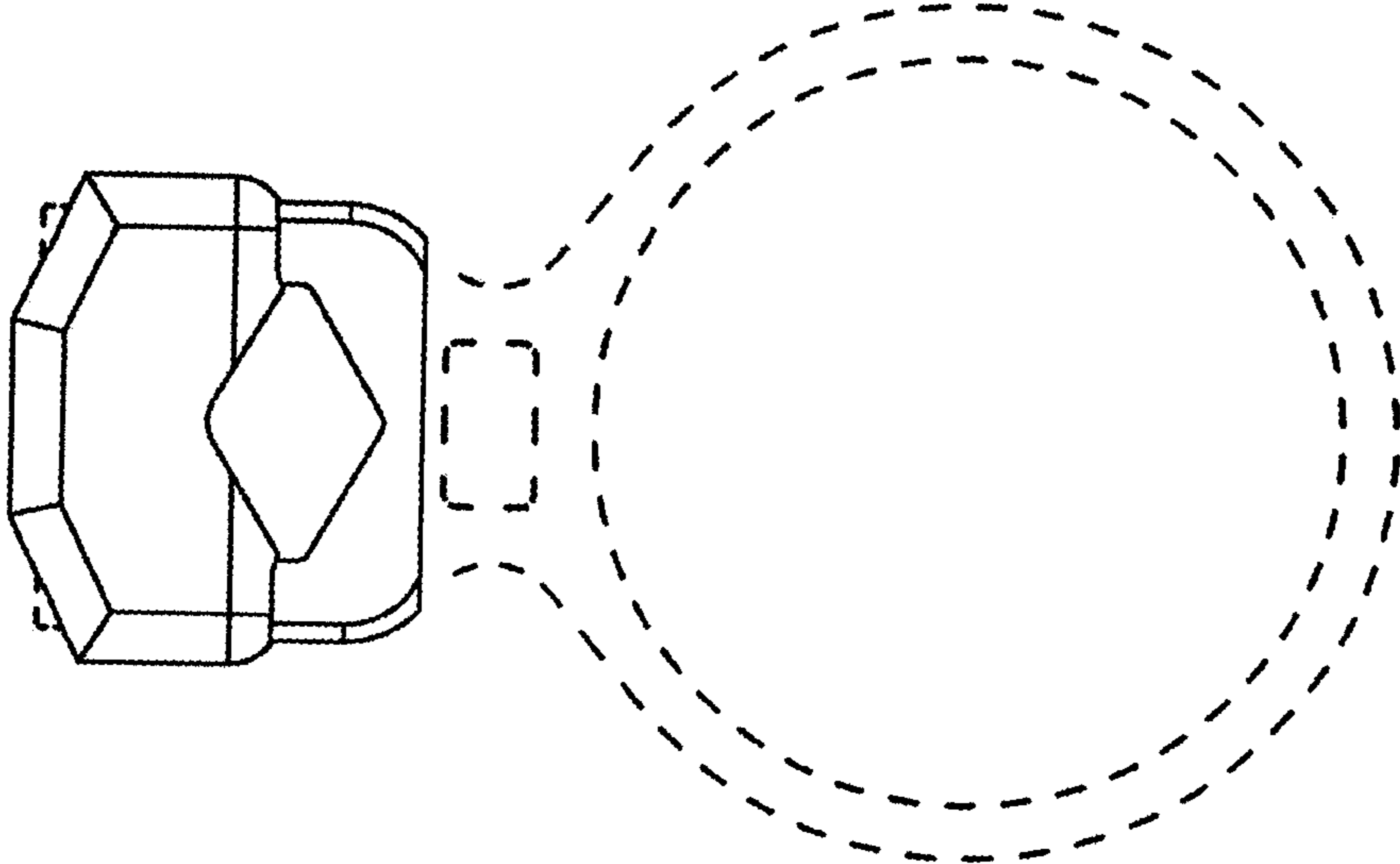
**FIG. 3**



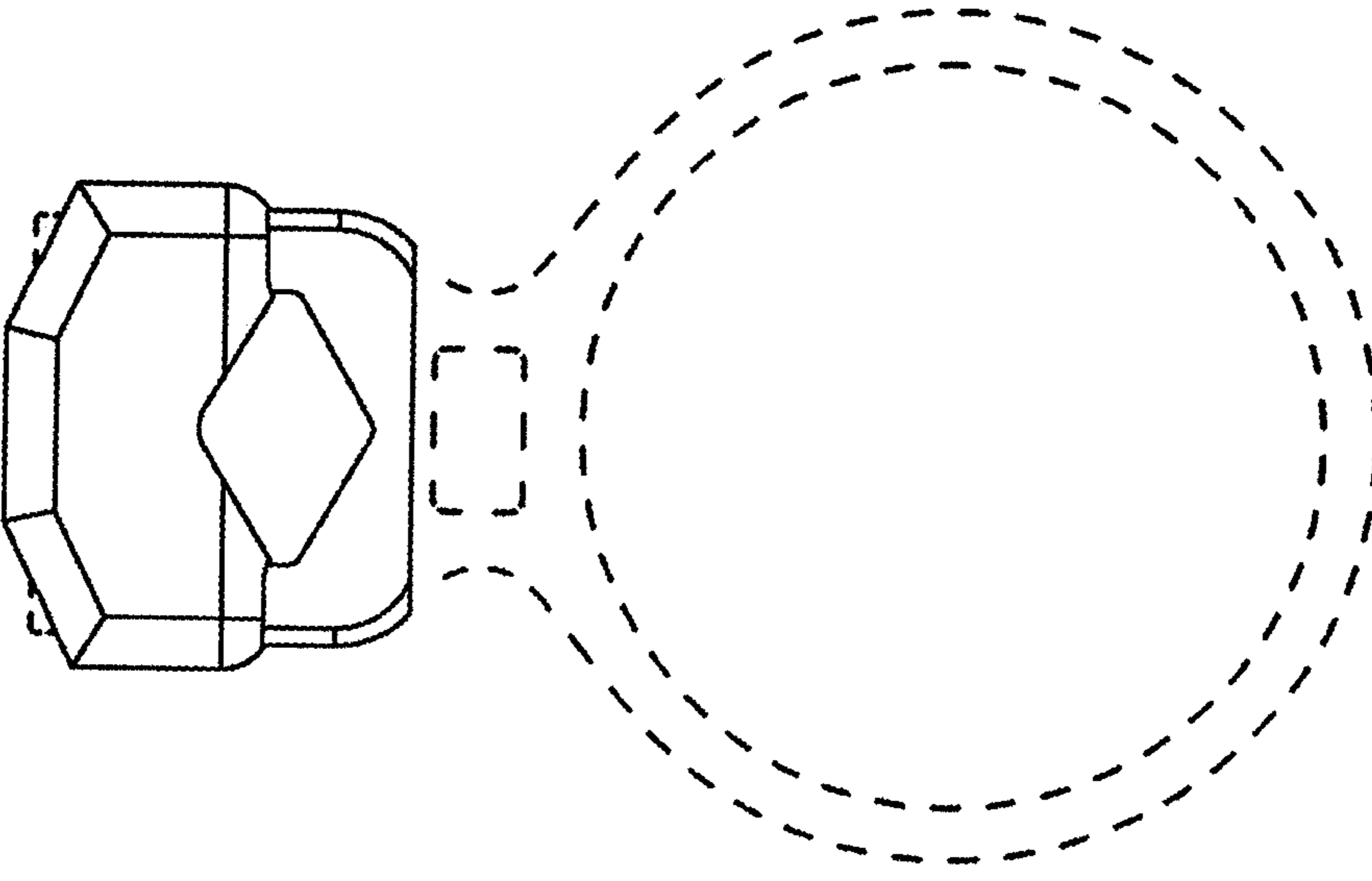
**FIG. 4**



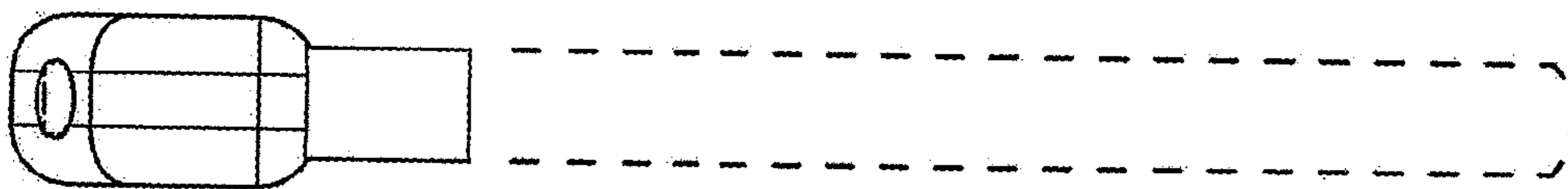
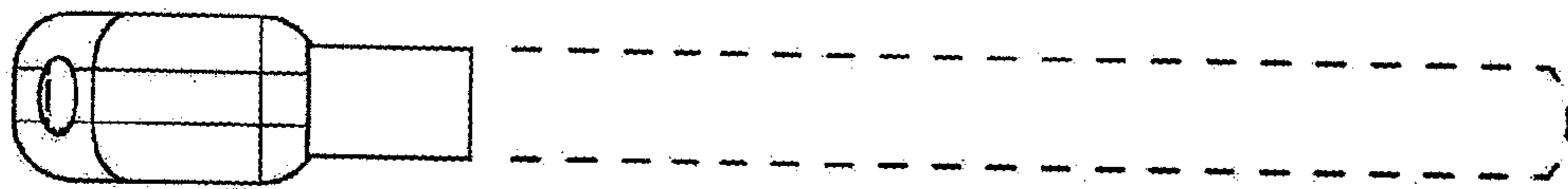
**FIG. 5**



**FIG. 6**



**FIG. 7**



**FIG. 8**

FIG. 9

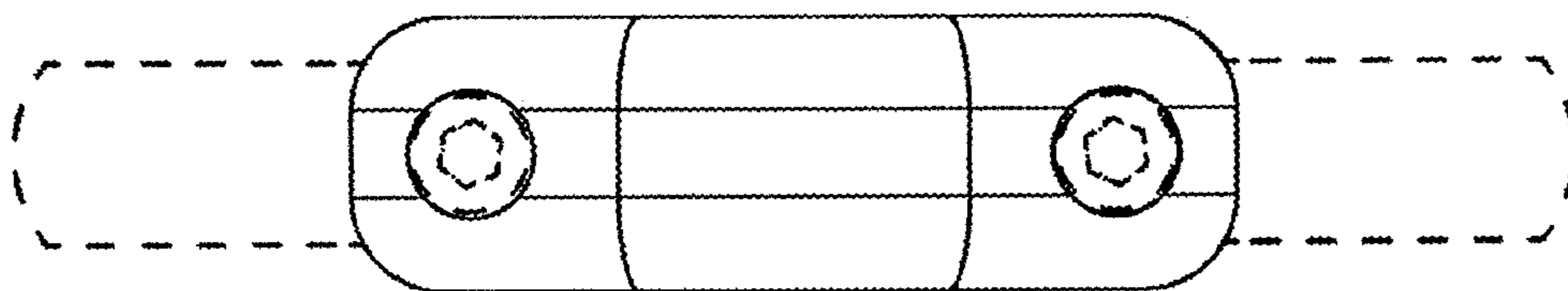
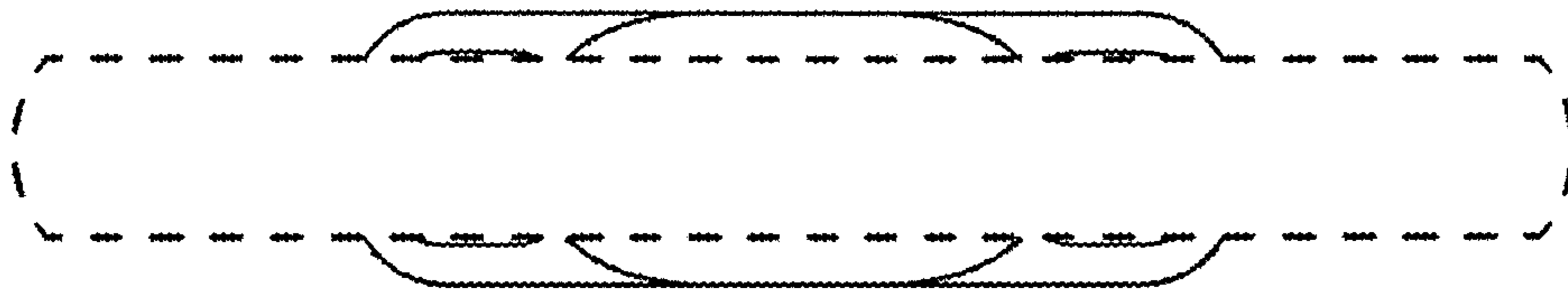
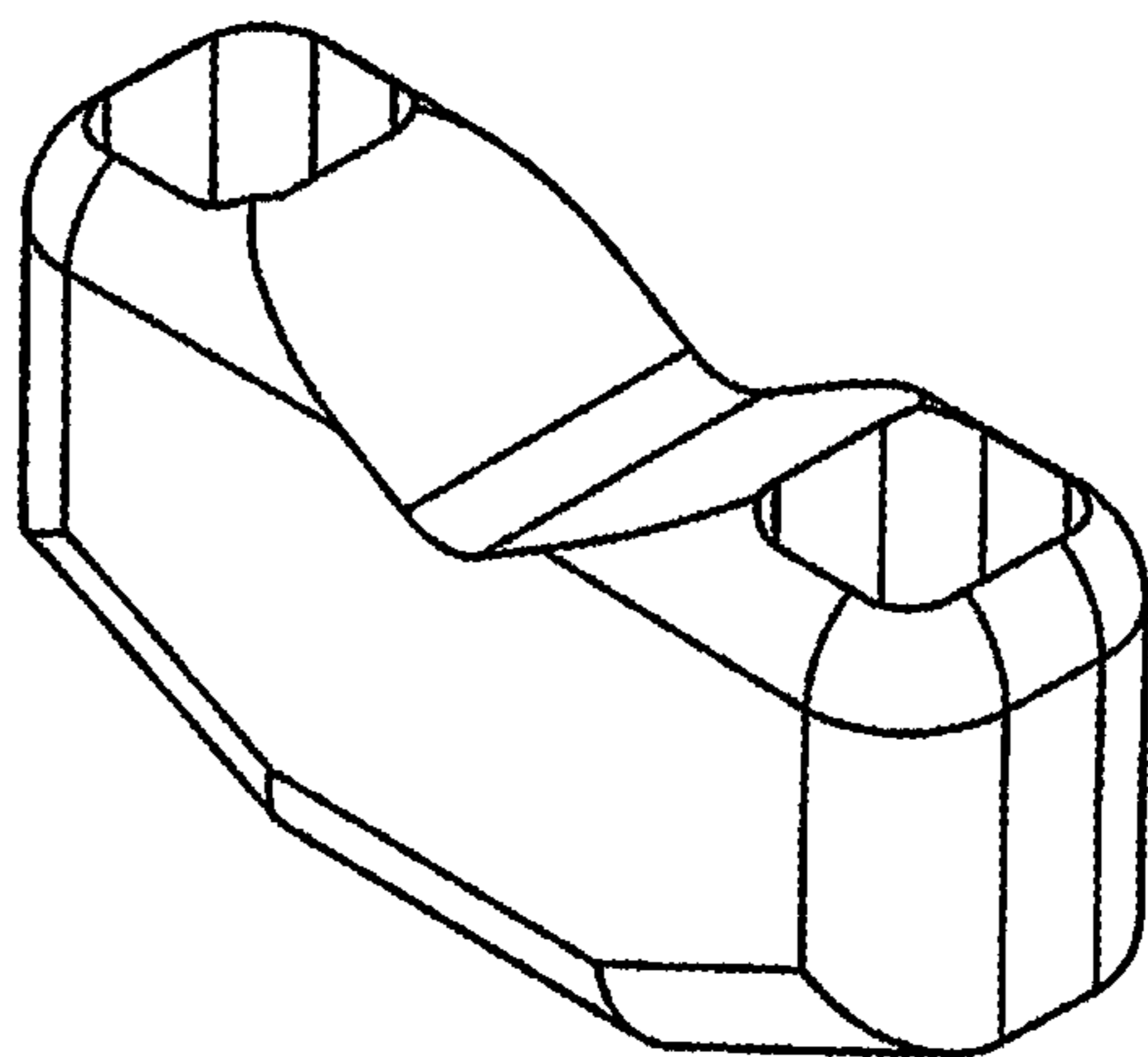
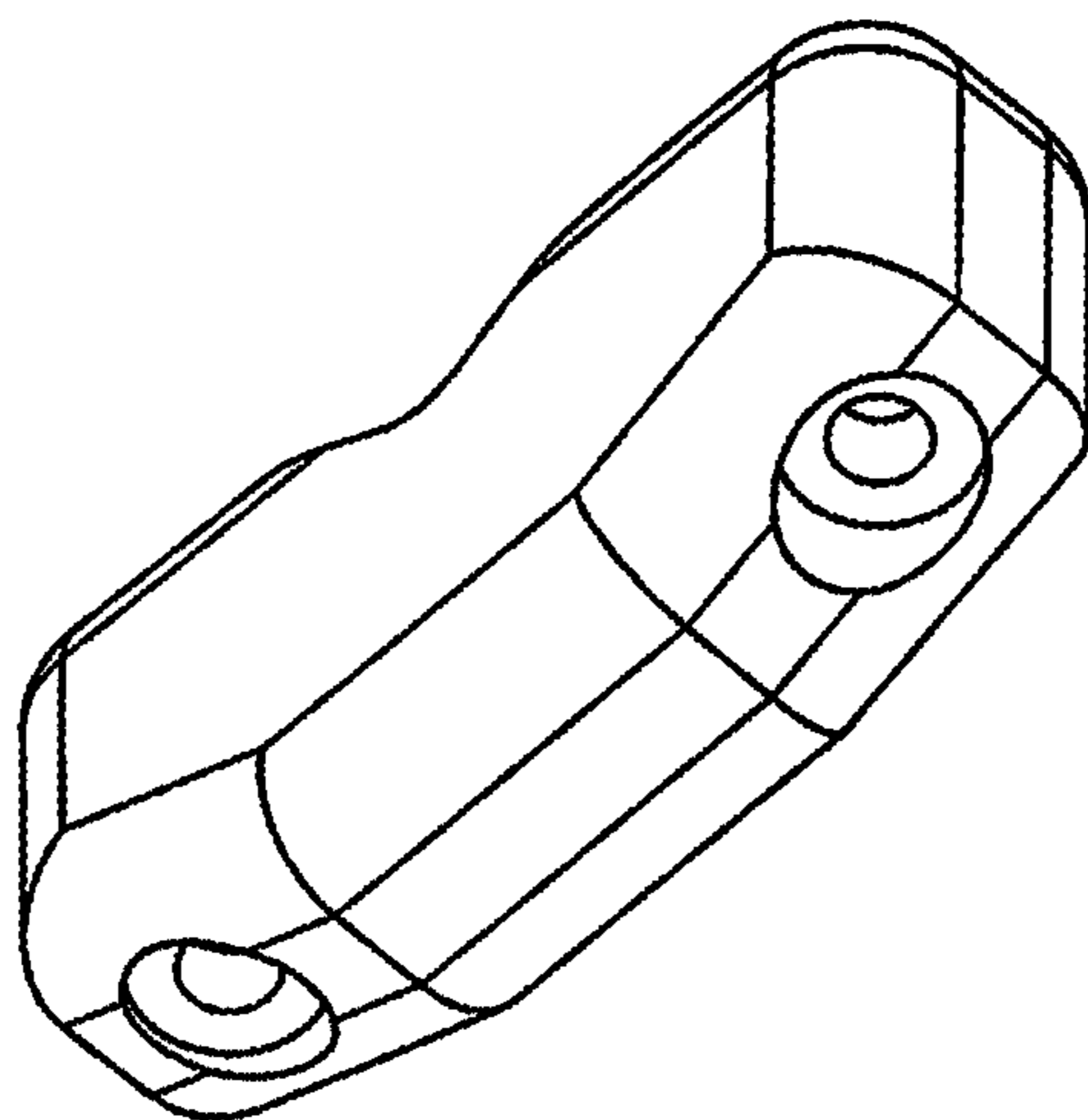


FIG. 10

**FIG. 12**

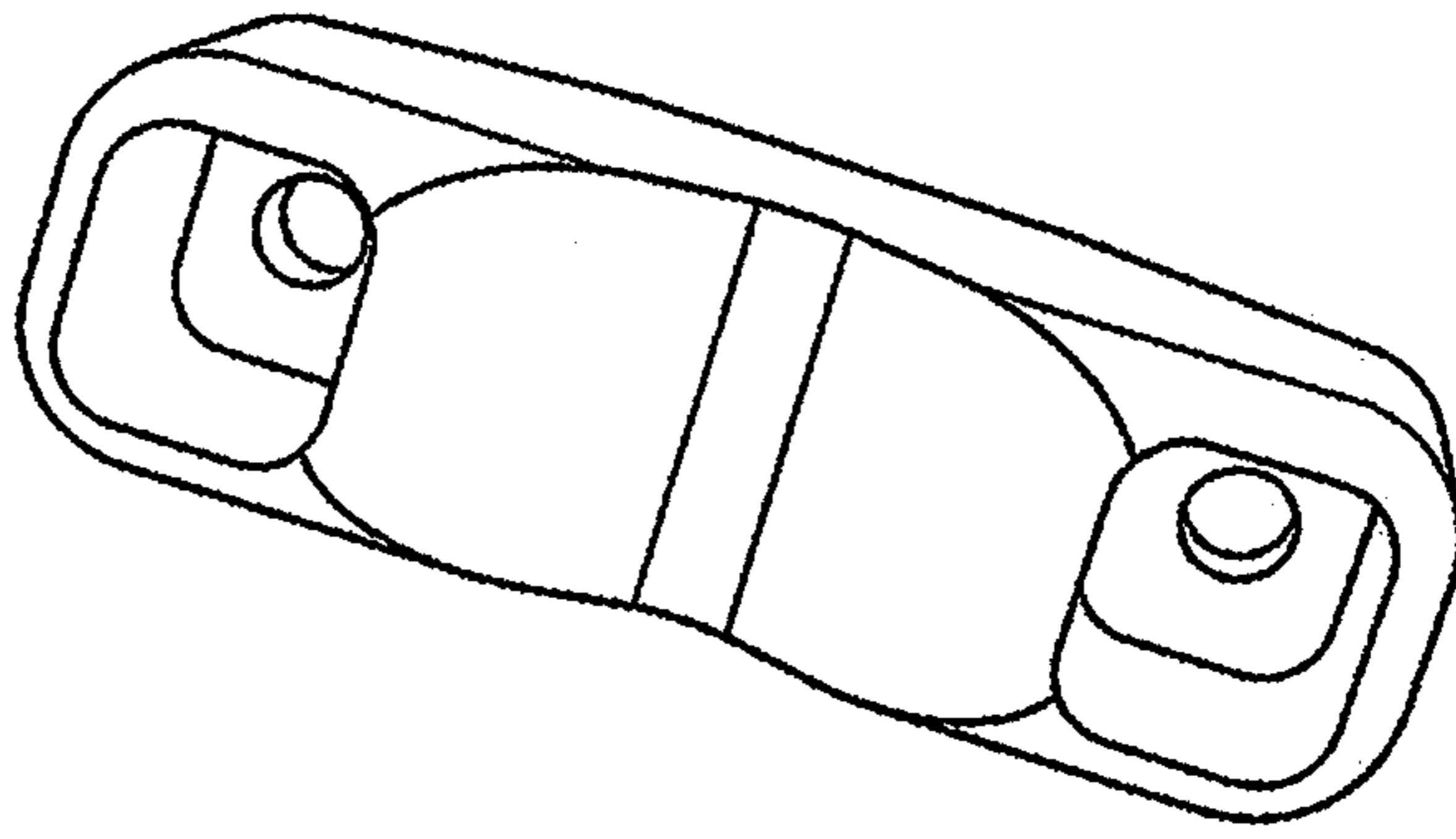


**FIG. 11**

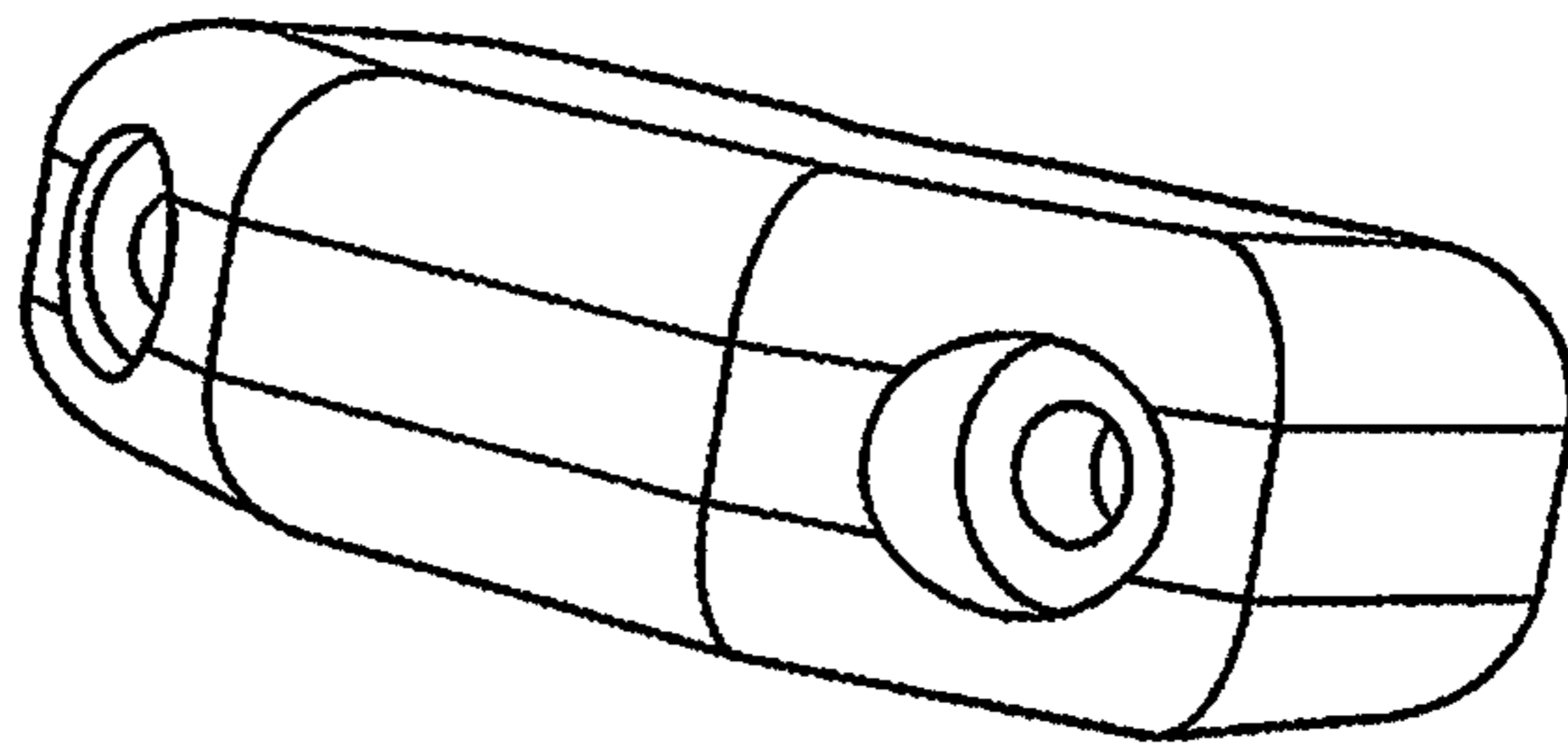




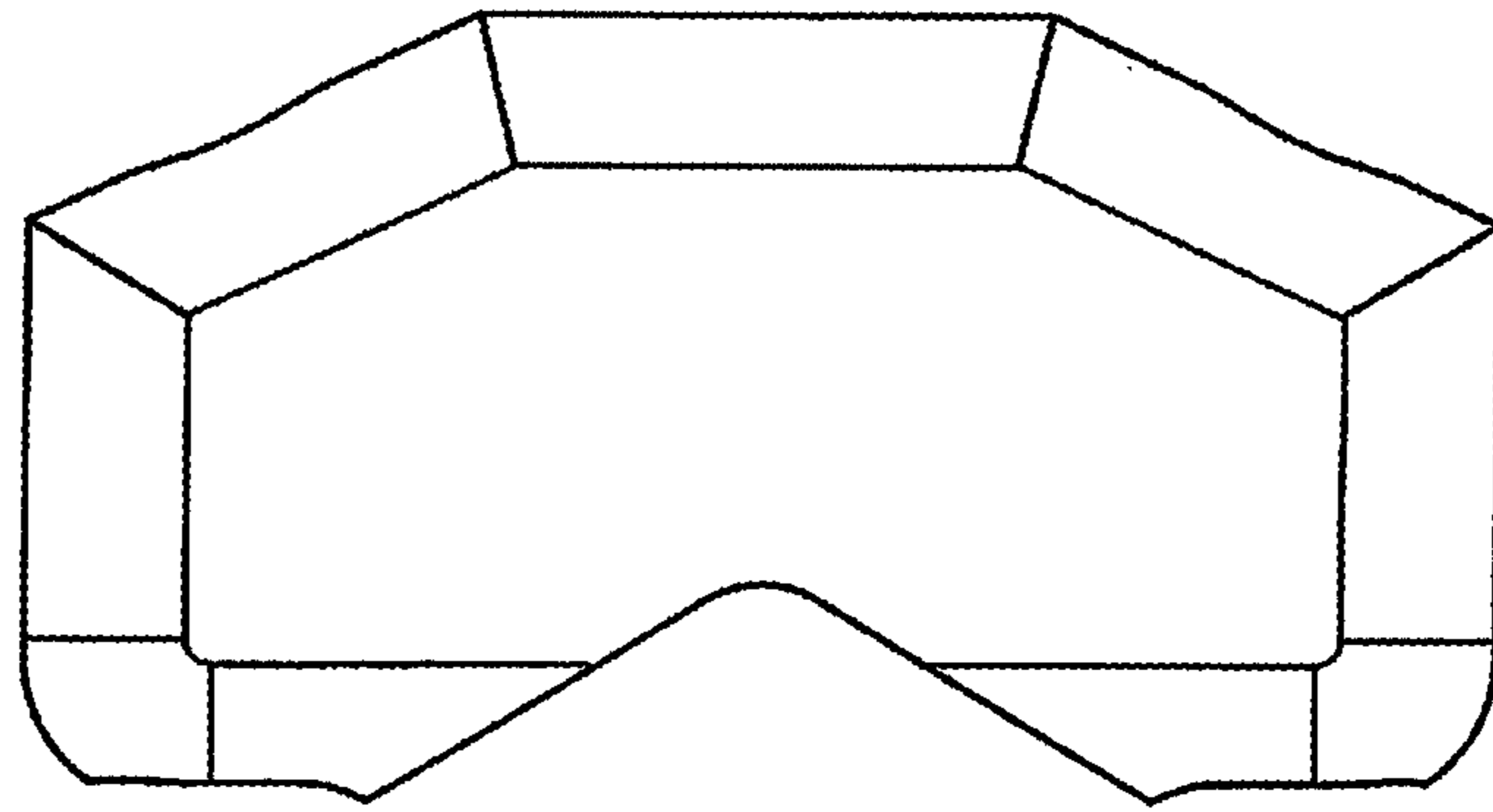
**FIG. 14**



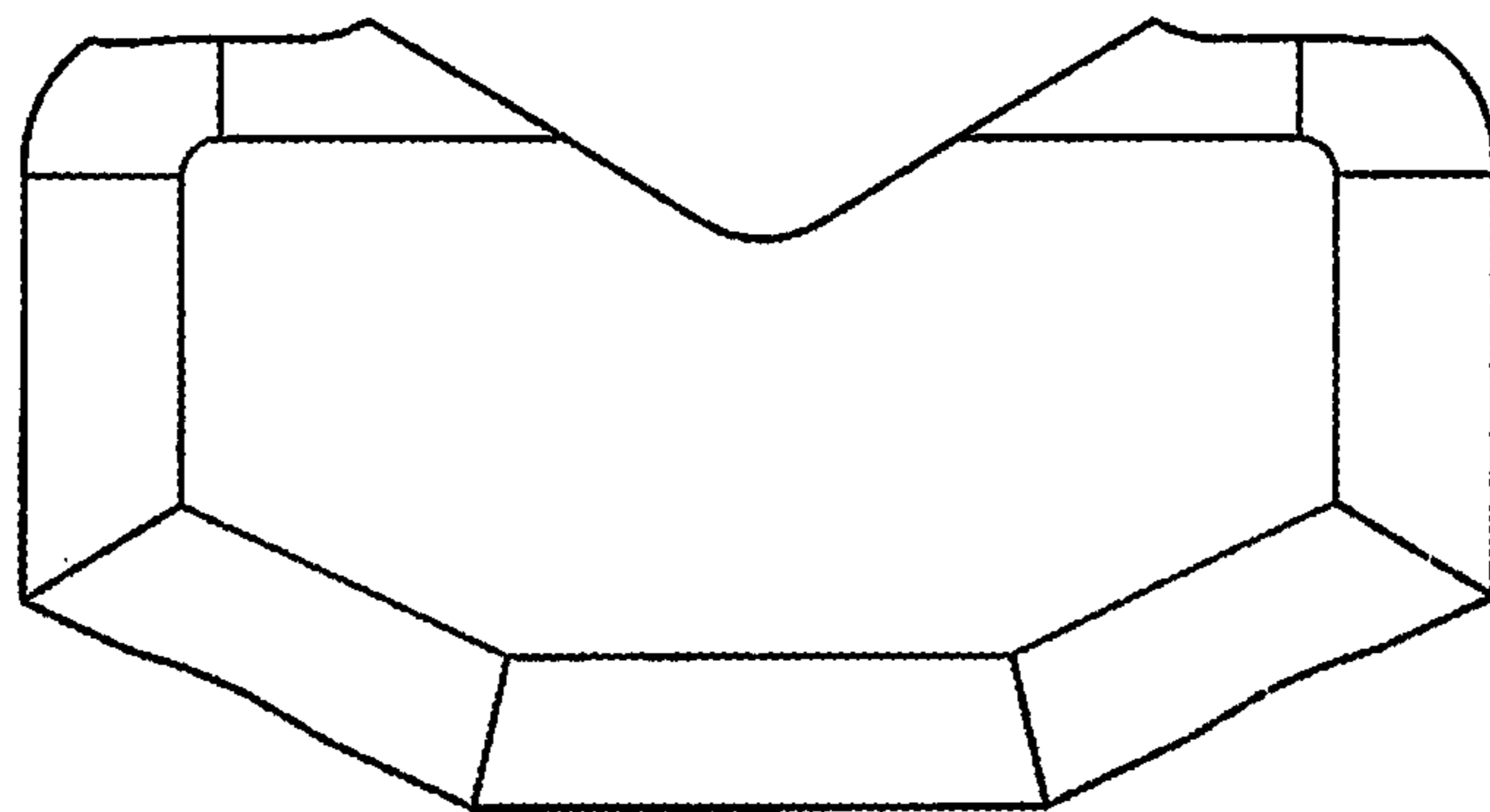
**FIG. 13**



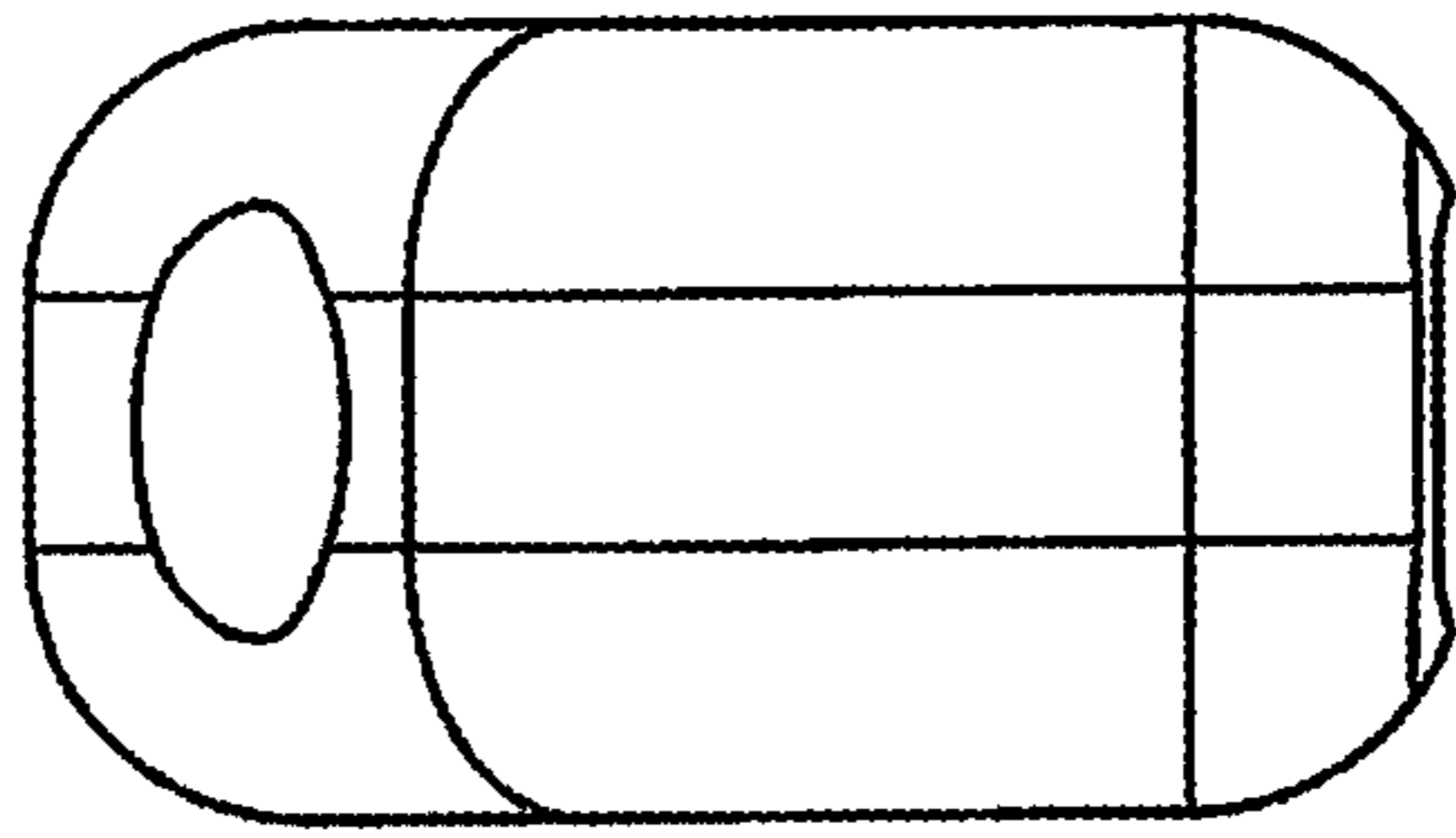
**FIG. 16**



**FIG. 15**



**FIG. 17**



**FIG. 18**

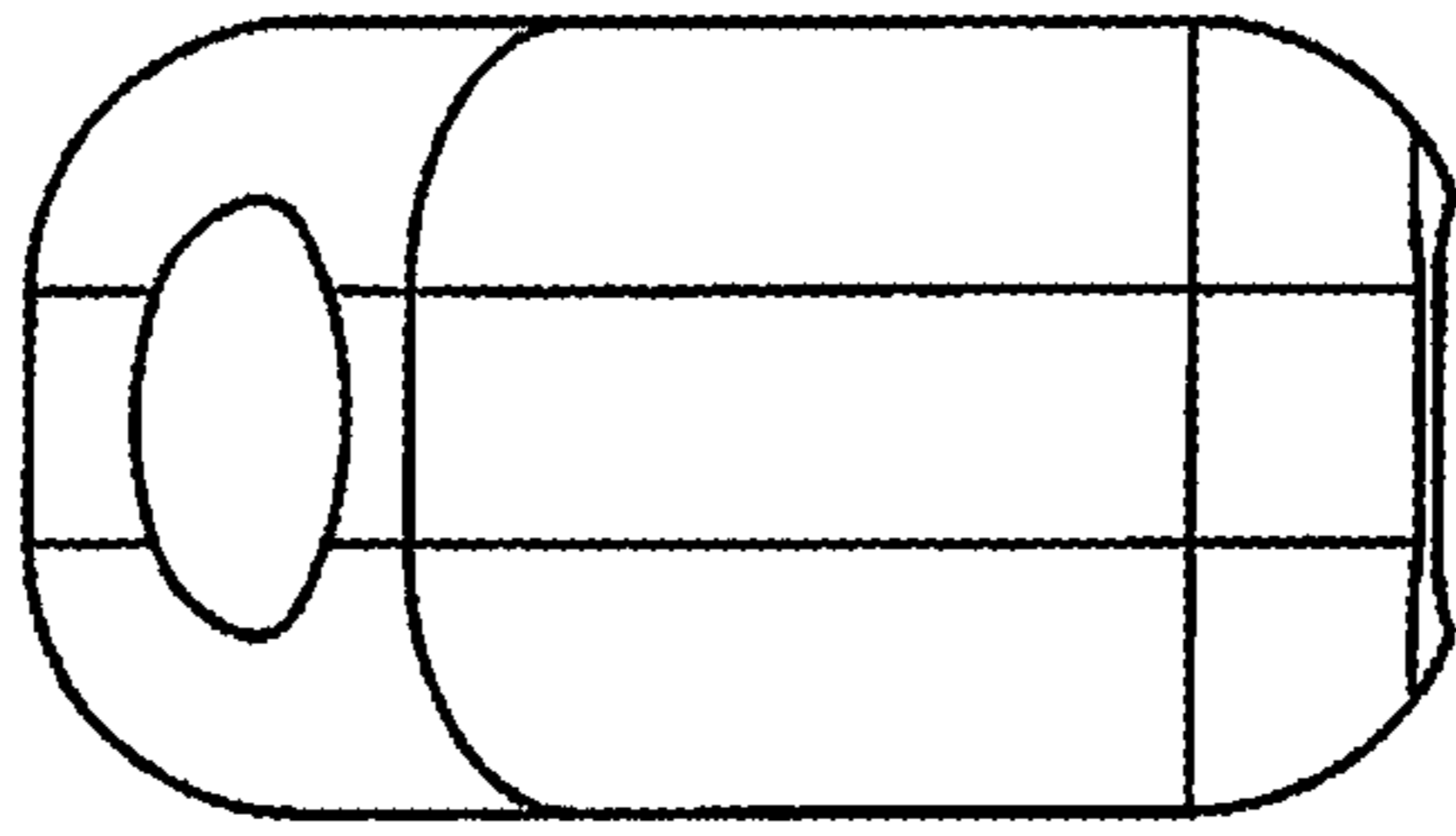


FIG. 20

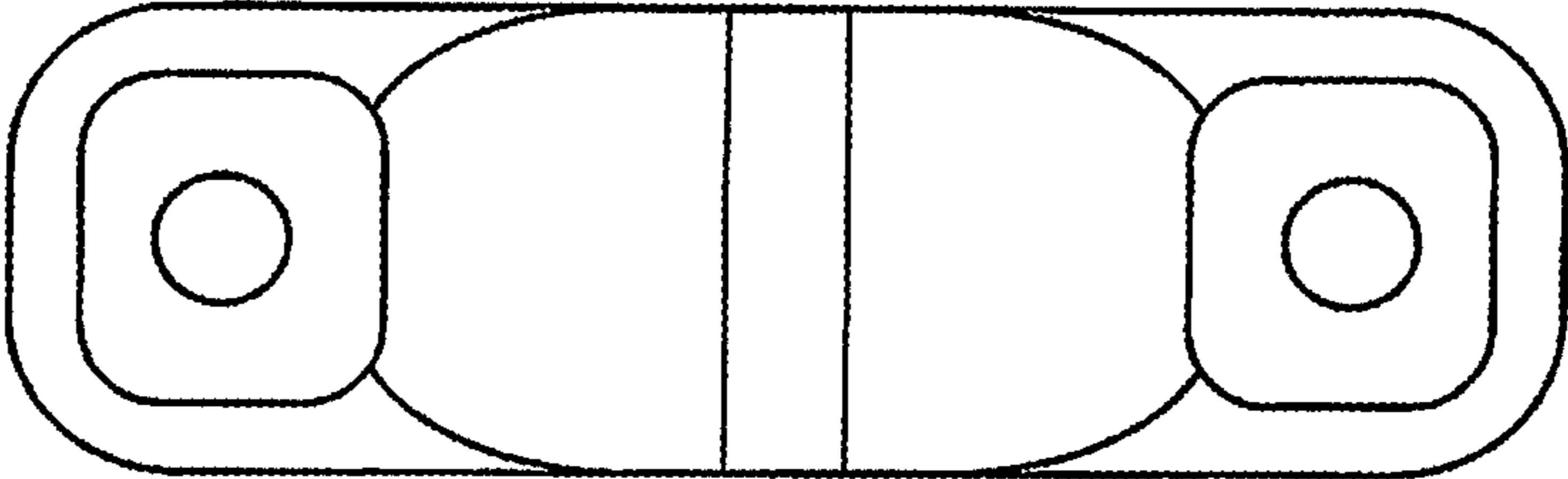
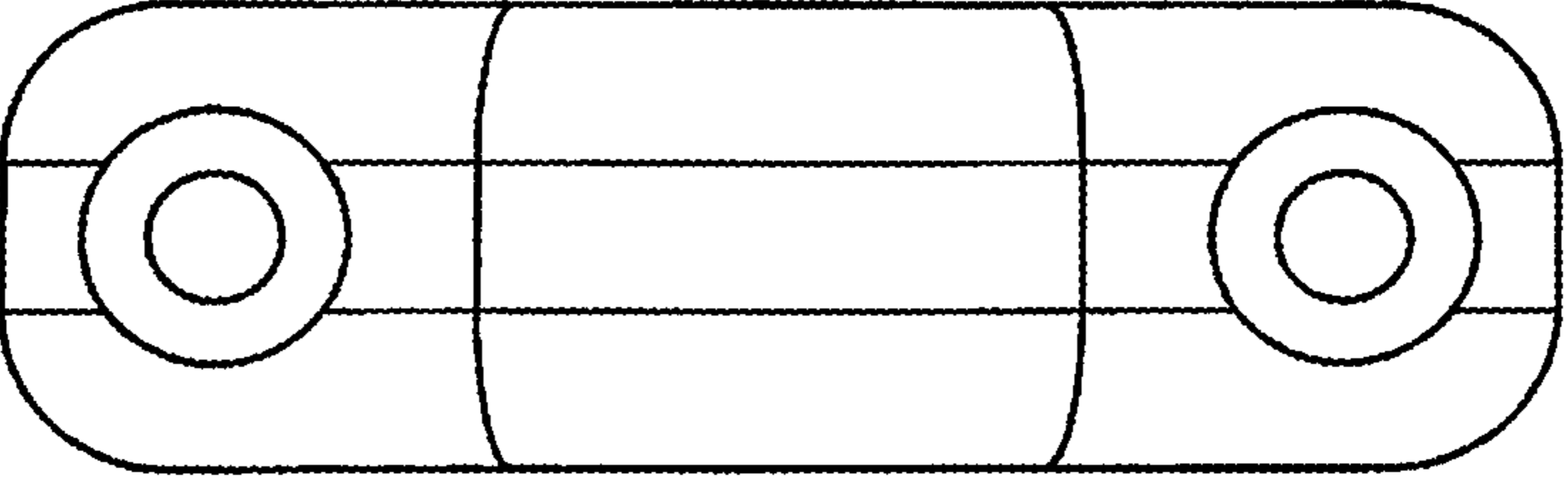
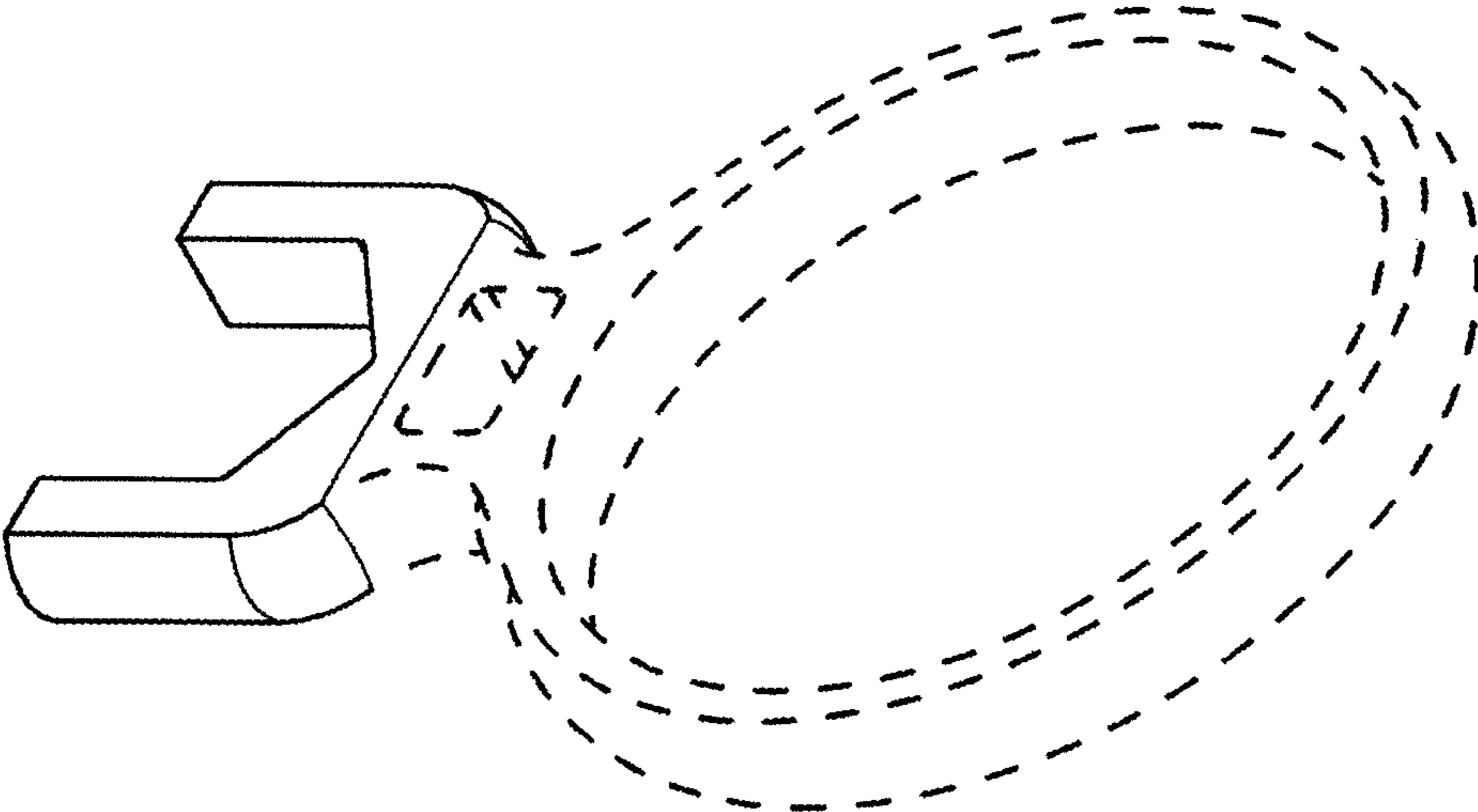
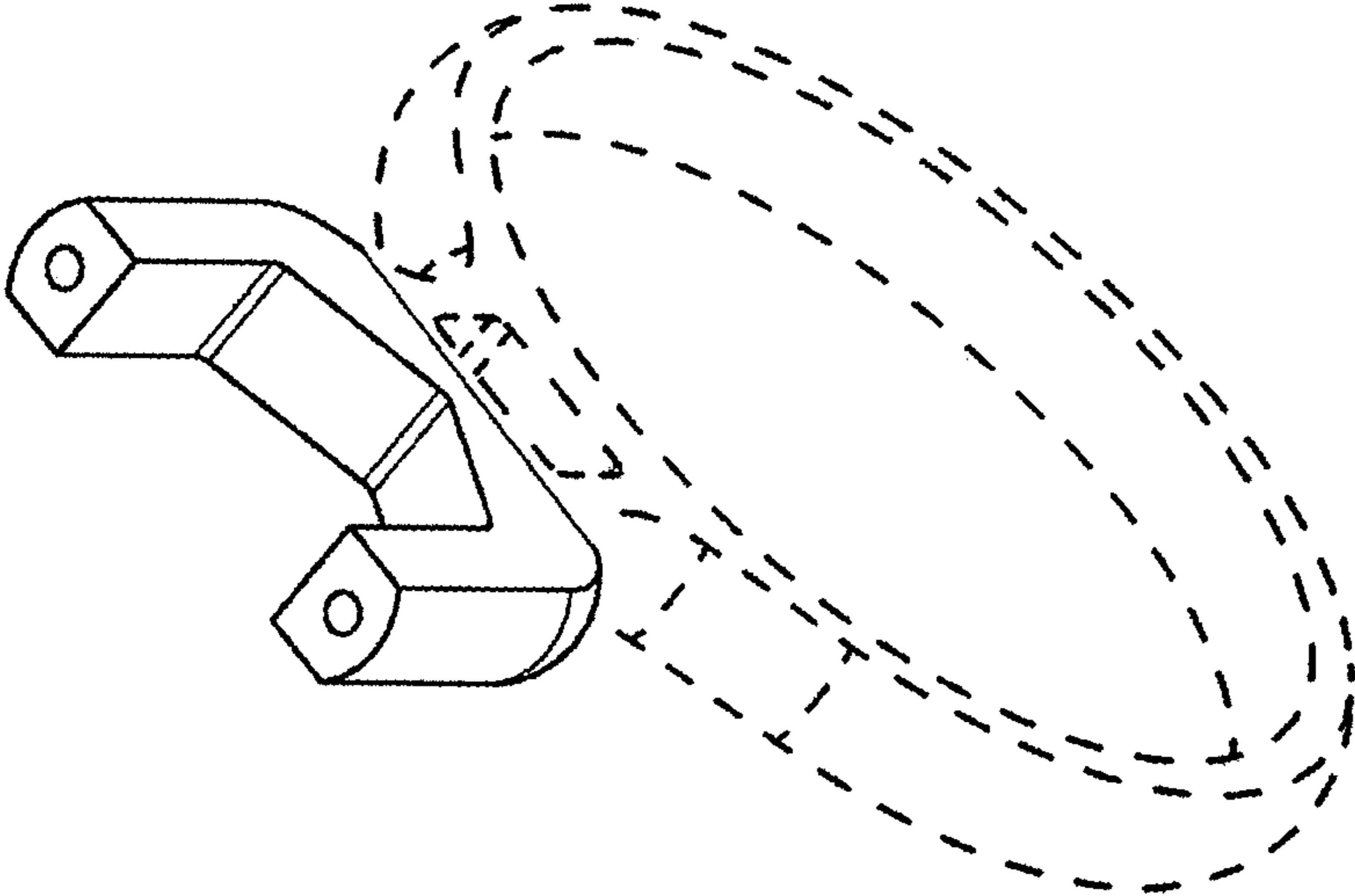


FIG. 19



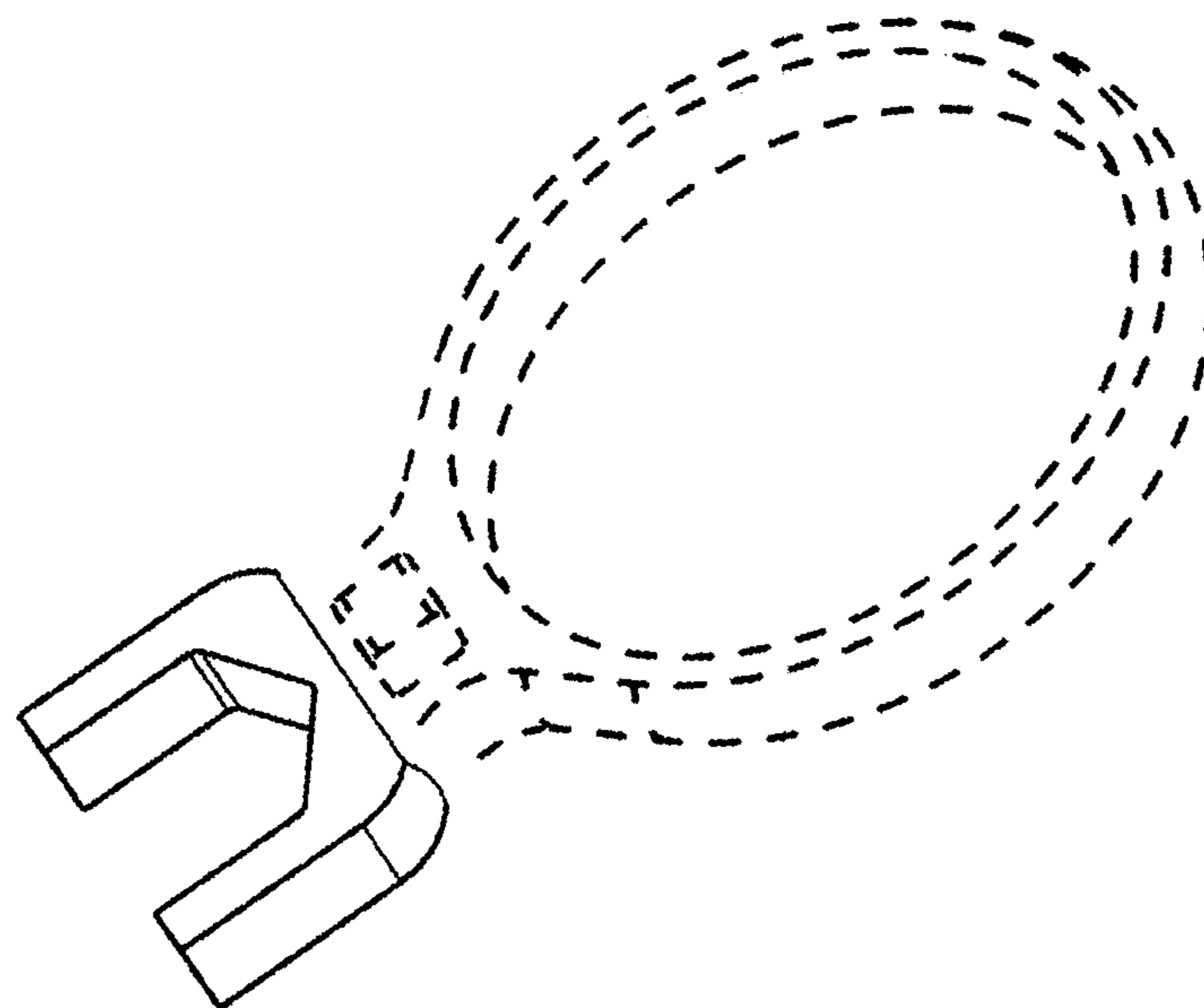
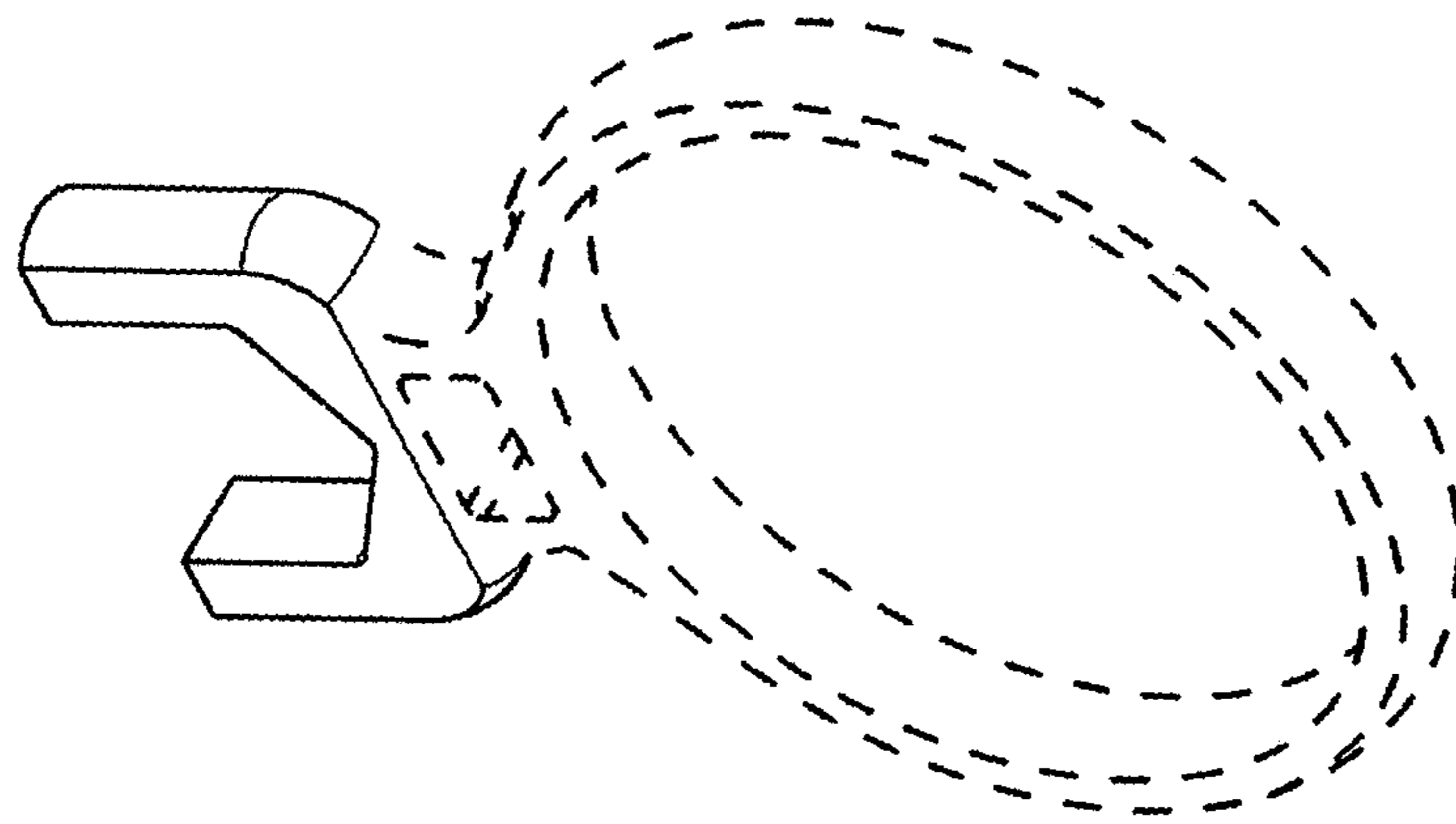
**FIG. 21**



**FIG. 22**

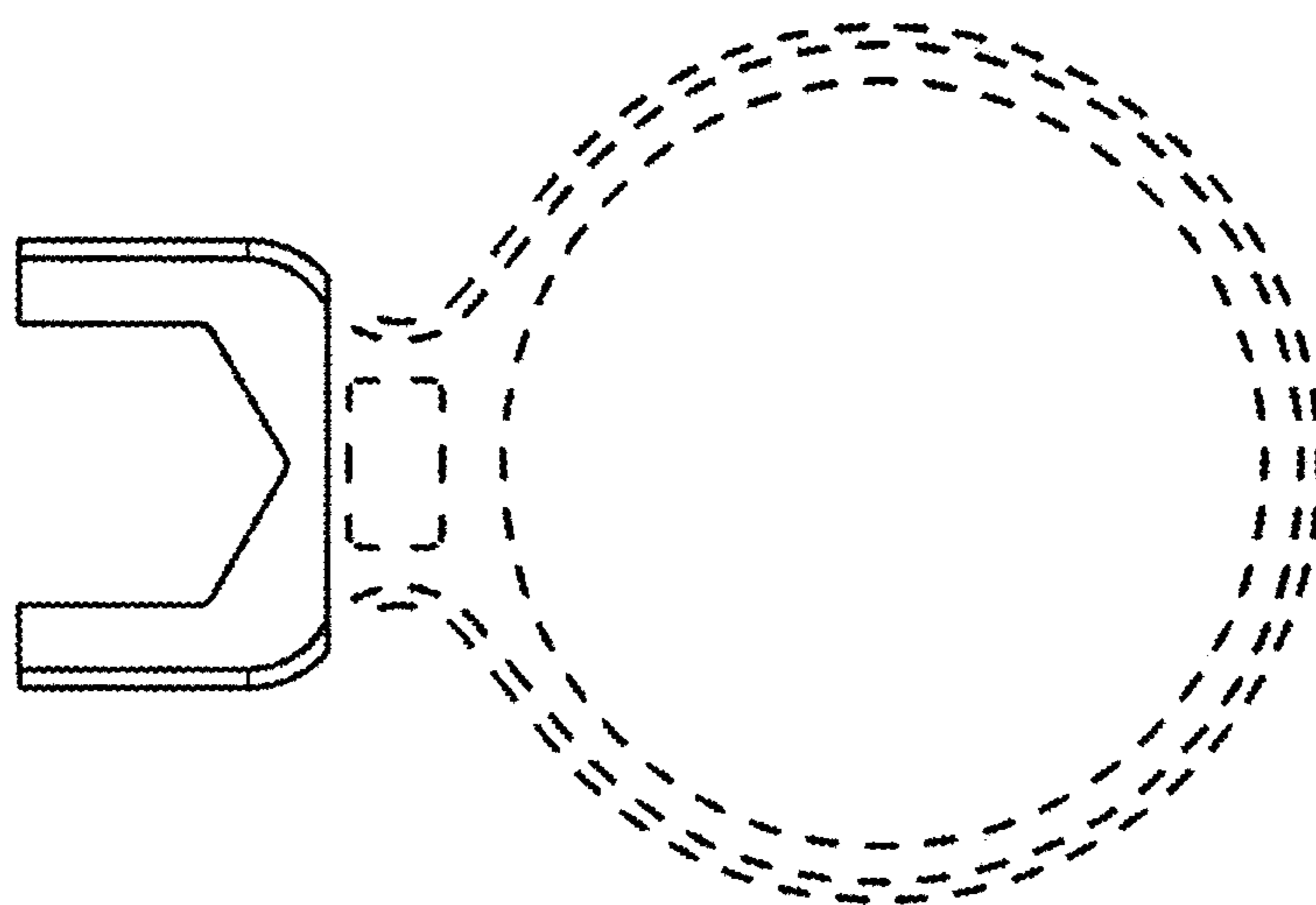
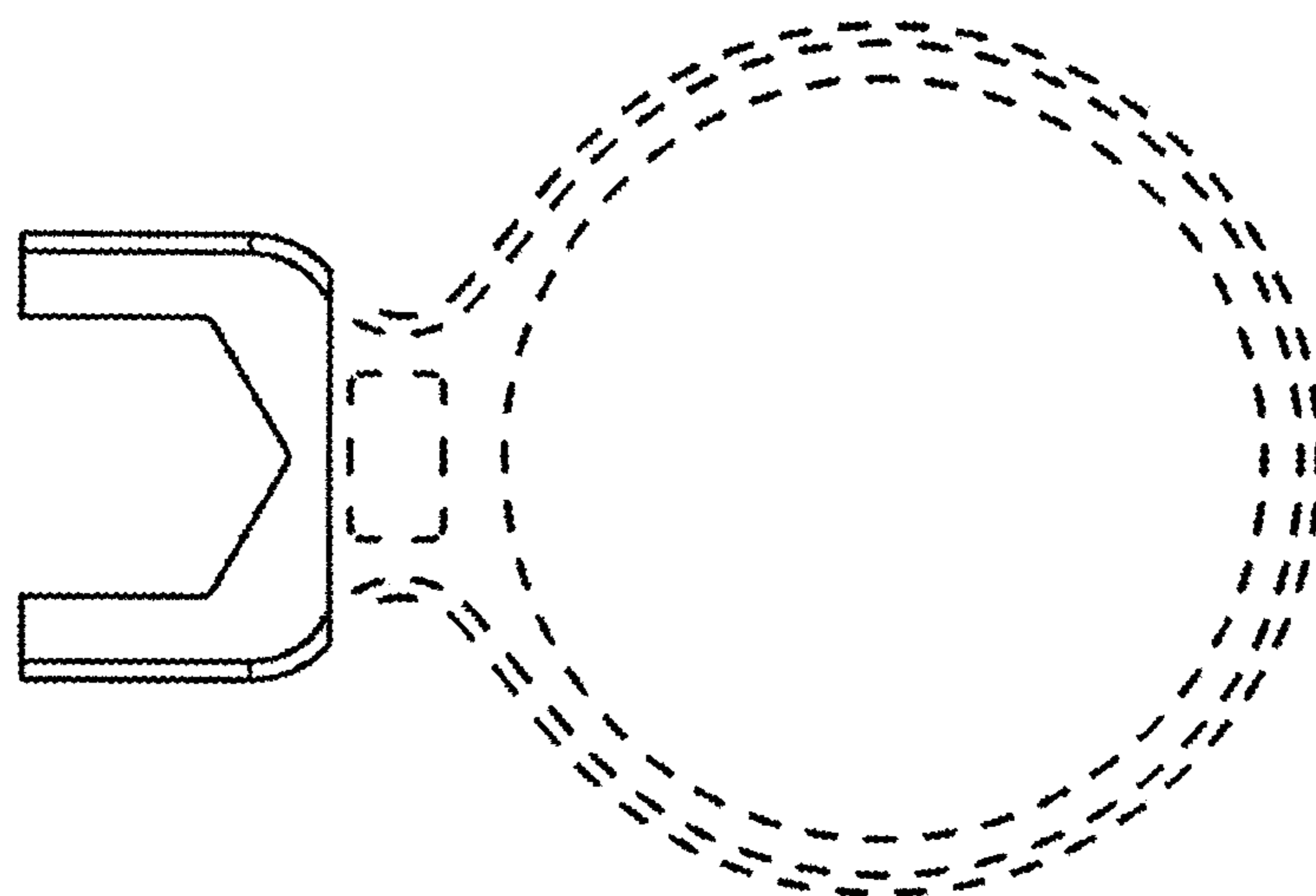


**FIG. 23**



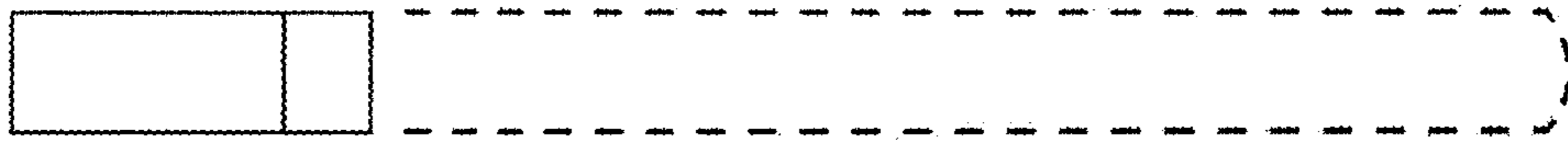
**FIG. 24**

**FIG. 25**



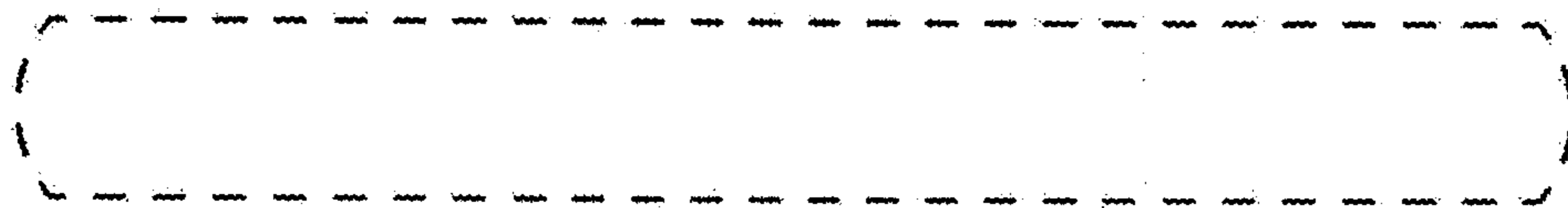
**FIG. 26**

**FIG. 27**



**FIG. 28**

**FIG. 29**



**FIG. 30**