



US00D757528S

(12) **United States Design Patent**
Wyss

(10) **Patent No.:** **US D757,528 S**

(45) **Date of Patent:** **** *May 31, 2016**

(54) **EXTENSION POLE**

(71) Applicant: **Derrick Wyss**, Hamilton (CA)

(72) Inventor: **Derrick Wyss**, Hamilton (CA)

(*) Notice: This patent is subject to a terminal disclaimer.

(**) Term: **14 Years**

(21) Appl. No.: **29/479,766**

(22) Filed: **Jan. 20, 2014**

(51) **LOC (10) Cl.** **08-05**

(52) **U.S. Cl.**
USPC **D8/373**

(58) **Field of Classification Search**
USPC D8/375, 374, 381, 382, 380, 318, 373,
D8/377, 363, 358, 384, 376, 385, 388, 389,
D8/355; D3/279, 271.12; D12/223;
D34/14, 19, 24, 25, 27; D21/424, 425,
D21/533, 534, 535, 536; D20/41, 43;
D4/199; D19/135; D25/131
CPC G09F 7/18; G09F 15/00; G09F 7/20;
G09F 2007/1808; G09F 2007/1821; G09F
19/228; G09F 2007/183; G09F 2007/1847;
G09F 3/206; F41J 1/10
See application file for complete search history.

(56) **References Cited**

U.S. PATENT DOCUMENTS

D186,862 S *	12/1959	Cook	D12/223
D307,448 S *	4/1990	Akard	D20/43
D342,285 S *	12/1993	Boyar	D20/41
D408,264 S *	4/1999	Opielski et al.	D8/382
D436,025 S *	1/2001	Ohm et al.	D8/376
D468,193 S *	1/2003	Ohm et al.	D8/376
6,511,252 B1 *	1/2003	Andros	403/283
D492,191 S *	6/2004	Kang	D8/382
D505,736 S *	5/2005	Khan	D25/131

D535,872 S *	1/2007	Smith	D8/389
7,325,696 B2 *	2/2008	Matthew et al.	211/105.3
D689,628 S *	9/2013	Wyss	D25/131

* cited by examiner

Primary Examiner — Robert M Spear

Assistant Examiner — Eliza Bennett-Hattan

(57) **CLAIM**

The ornamental design for an extension pole, as shown and described.

DESCRIPTION

FIG. 1 is a front side elevation view of the present design, an extension pole, in the collapsed position.

FIG. 2 is a top plan view of the extension pole, in the collapsed position, shown in FIG. 1.

FIG. 3 is a rear side perspective view of the extension pole, in the collapsed position, shown in FIG. 1.

FIG. 4 is a front side elevation view of the present design, an extension pole, in the extended position.

FIG. 5 is a top plan view of the extension pole, in the extended position, shown in FIG. 4.

FIG. 6 is a rear side perspective view of the extension pole, in the extended position, shown in FIG. 4.

FIG. 7 is a front side perspective view of a second embodiment of the extension pole, in the extended position.

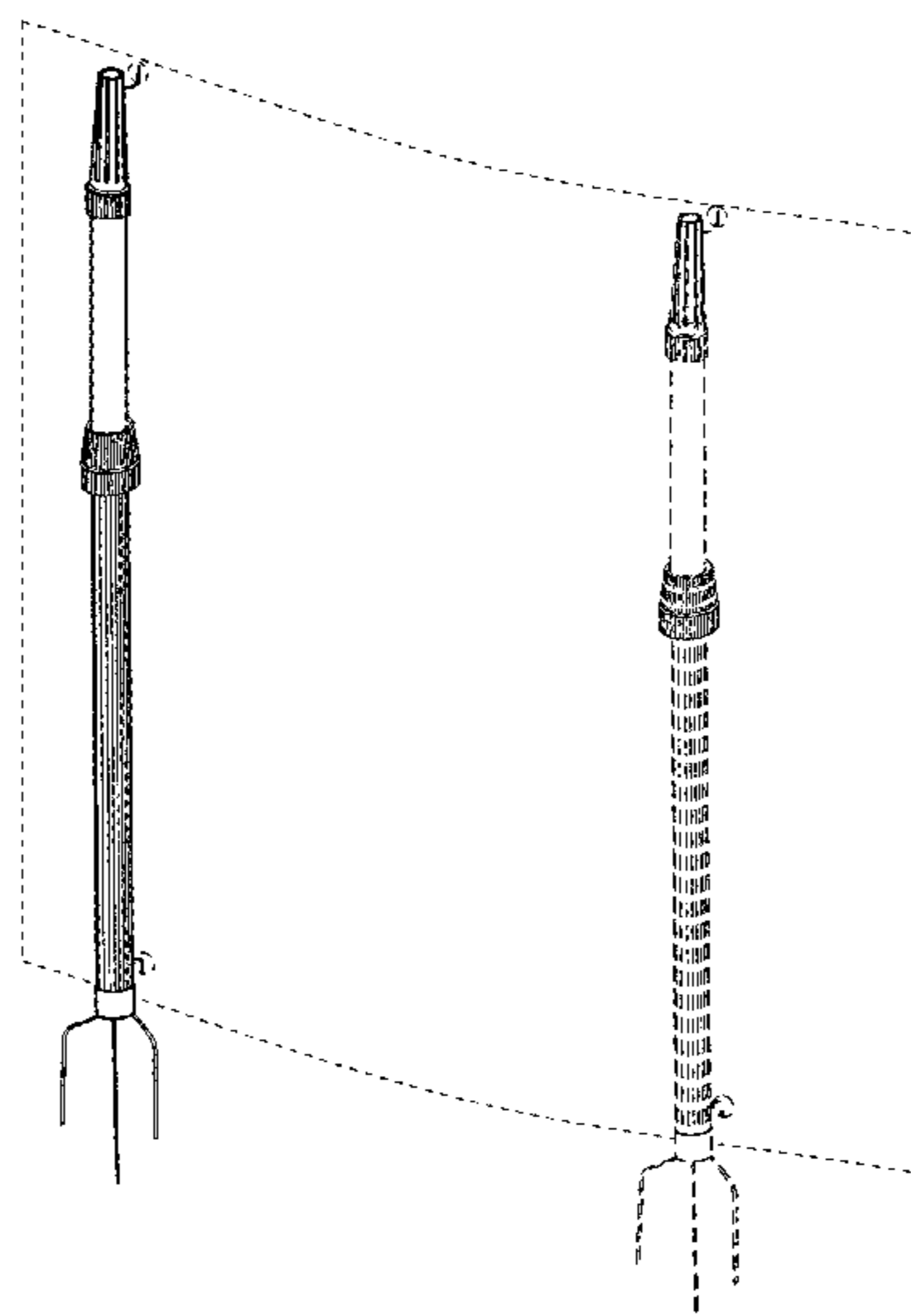
FIG. 8 is a top perspective view of a second embodiment the extension pole, in the extended position.

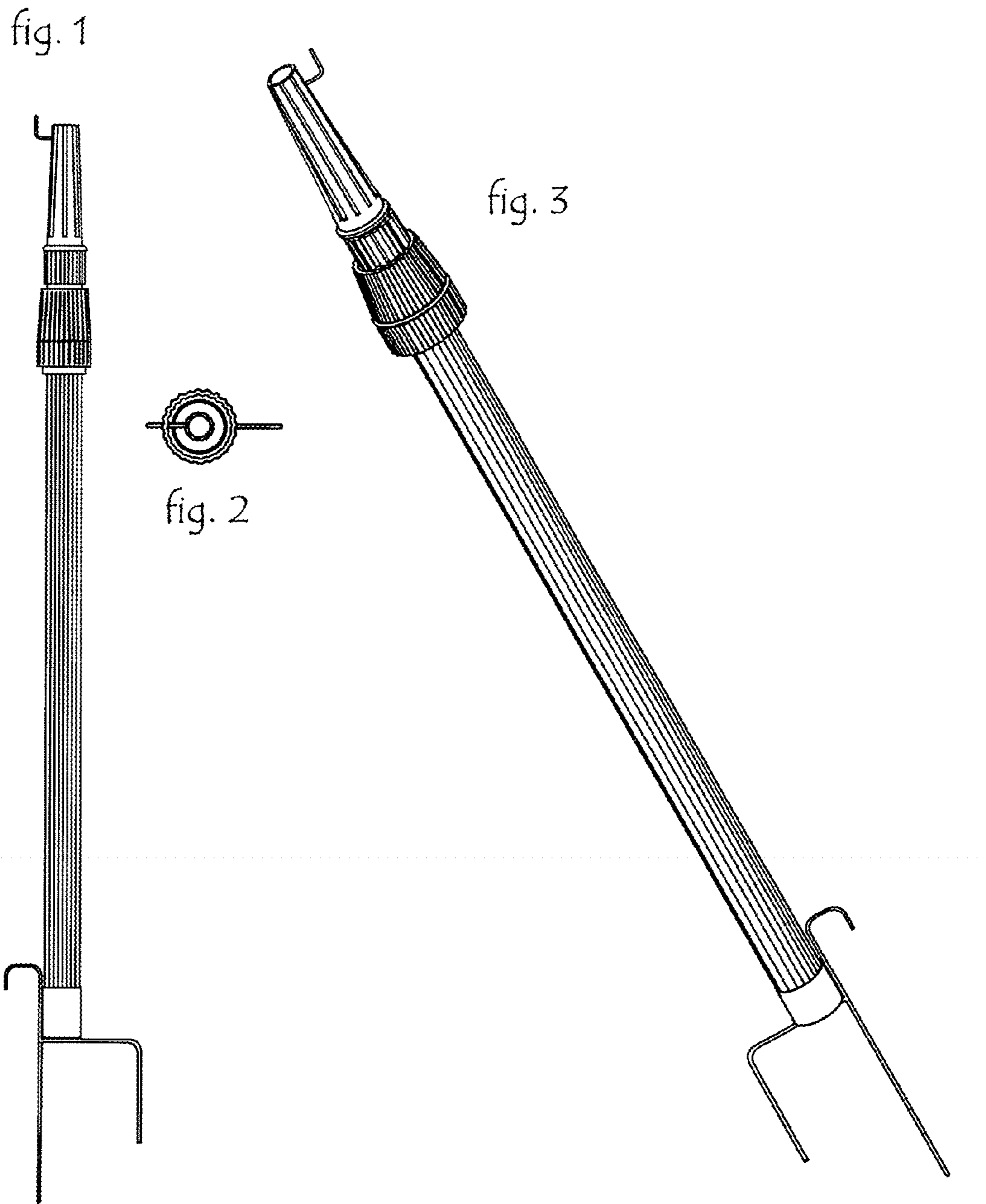
FIG. 9 is a rear side perspective view of a second embodiment of the extension pole, in the extended position.

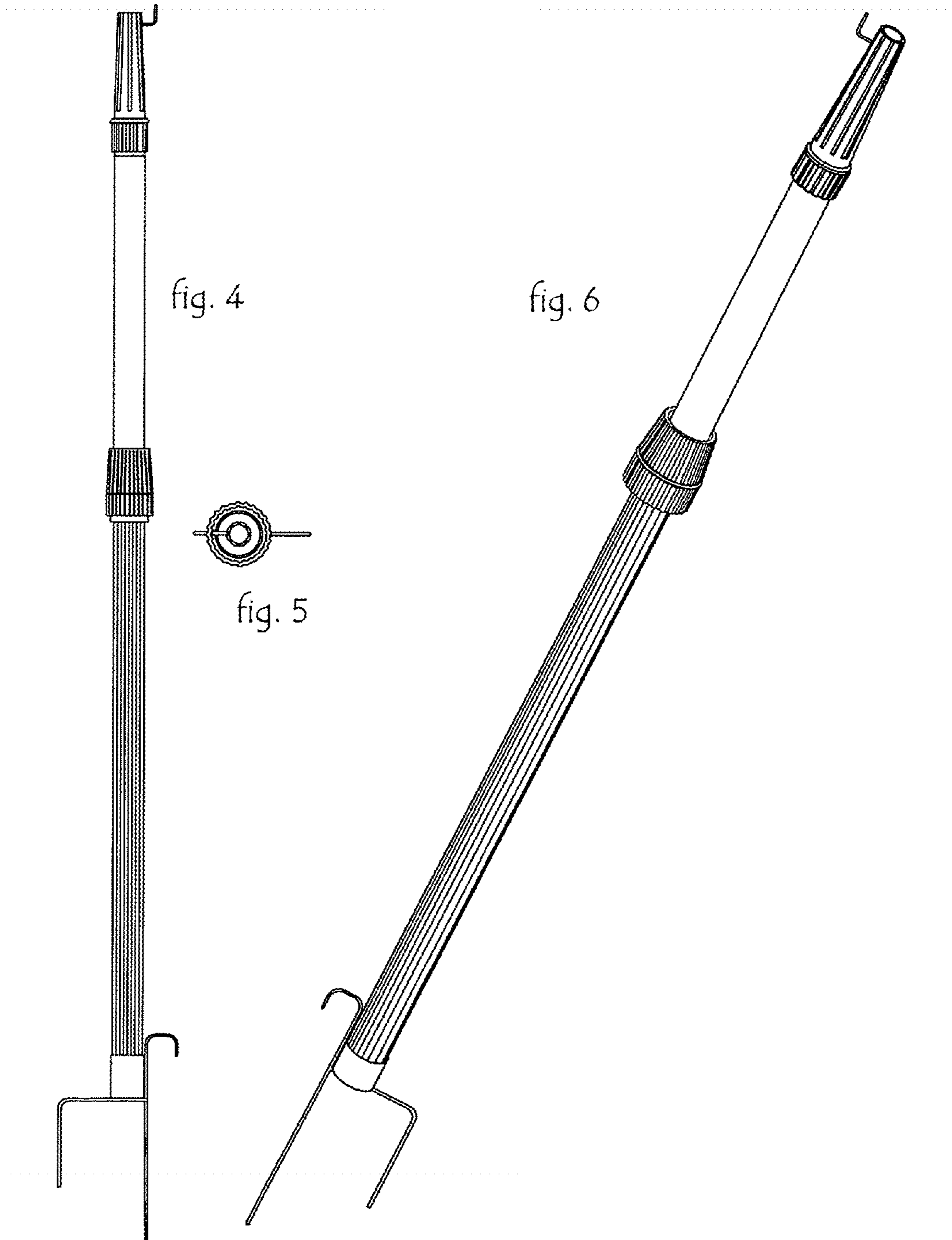
FIG. 10 is a perspective view of the extension pole, in the extended position, shown in FIG. 1, wherein the broken lines in the drawing depict unclaimed environmental subject matter; and,

FIG. 11 is a perspective view of the extension pole, in the extended position, shown in FIG. 7, wherein the broken lines in the drawing depict unclaimed environmental subject matter.

1 Claim, 5 Drawing Sheets







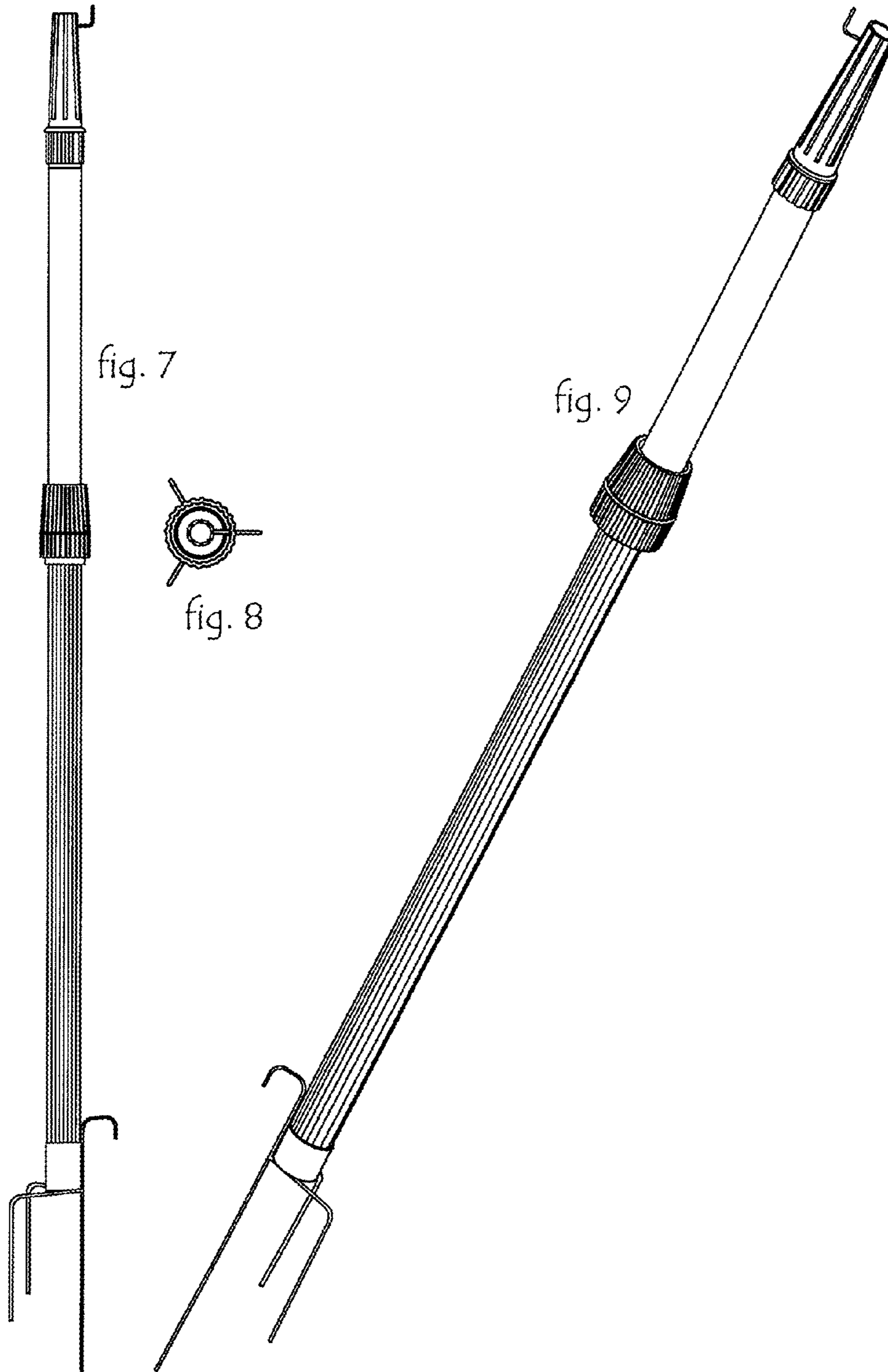


fig. 10

