



US00D757527S

(12) **United States Design Patent**  
**Rawls-Meehan**

(10) **Patent No.:** **US D757,527 S**  
(45) **Date of Patent:** **\*\* May 31, 2016**

(54) **CORNER BRACKET**

- (71) Applicant: **ASCION, LLC**, Bloomfield Hills, MI (US)
- (72) Inventor: **Martin B. Rawls-Meehan**, Lexington, MA (US)
- (73) Assignee: **ASCION, LLC**, Bloomfield Hills, MI (US)
- (\*\*) Term: **14 Years**
- (21) Appl. No.: **29/481,069**
- (22) Filed: **Jan. 31, 2014**

**Related U.S. Application Data**

- (63) Continuation of application No. 13/830,796, filed on Mar. 14, 2013, now Pat. No. 9,173,794, which is a continuation-in-part of application No. 13/750,934, filed on Jan. 25, 2013, now Pat. No. 9,173,793.
- (51) **LOC (10) Cl.** ..... **08-05**
- (52) **U.S. Cl.**  
USPC ..... **D8/370**; D8/349
- (58) **Field of Classification Search**  
USPC ..... D8/370, 354, 349, 394, 396, 372, 499;  
D11/209; D6/329; 24/598.6, 698.3,  
24/530, 533, 546; 248/303  
CPC ..... A47C 21/026; A47C 21/00; A47C 31/00;  
A47C 20/041; A47C 20/08; A47C 19/025;  
A61G 7/015; A61G 7/16; A61G 5/006;  
A61G 13/0009; A61G 13/1245; A61H  
2201/0138; A61H 2201/0142; A61H  
2201/0149; A61H 2201/5002; A61H  
2201/5097; A61H 2203/0443; A61H 23/02  
See application file for complete search history.

(56) **References Cited**

U.S. PATENT DOCUMENTS

D258,138 S *	2/1981	Wood .....	D8/370
4,640,063 A *	2/1987	Ayala .....	E04C 5/18 249/205
D300,804 S *	4/1989	Myers .....	D34/5
D330,846 S *	11/1992	Woolledge .....	D8/354
5,181,363 A *	1/1993	Leach .....	E04C 5/18 52/685
D422,889 S *	4/2000	Gray .....	D8/370
D423,336 S *	4/2000	Gray .....	D8/370
D423,916 S *	5/2000	Kalat .....	D8/370

(Continued)

*Primary Examiner* — Mark Goodwin

(74) *Attorney, Agent, or Firm* — Dinsmore & Shohl LLP;  
Douglas L. Wathen

(57) **CLAIM**

The ornamental design for a corner bracket, as shown and described.

**DESCRIPTION**

FIG. 1 is a perspective view of a corner bracket in accordance with the present invention, shown on a mattress platform along with additional like corner brackets shown in broken lines;

FIG. 2 is a perspective view of the corner bracket of FIG. 1, shown on a different mattress platform along with additional like corner brackets shown in broken lines;

FIG. 3 is a perspective view of the corner bracket of FIGS. 1 and 2;

FIG. 4 is another perspective view, from a different angle, of the corner bracket of FIGS. 1-3;

FIG. 5 is a front view of the corner bracket of FIGS. 1-4;

FIG. 6 is a right side view of the corner bracket of FIGS. 1-5;

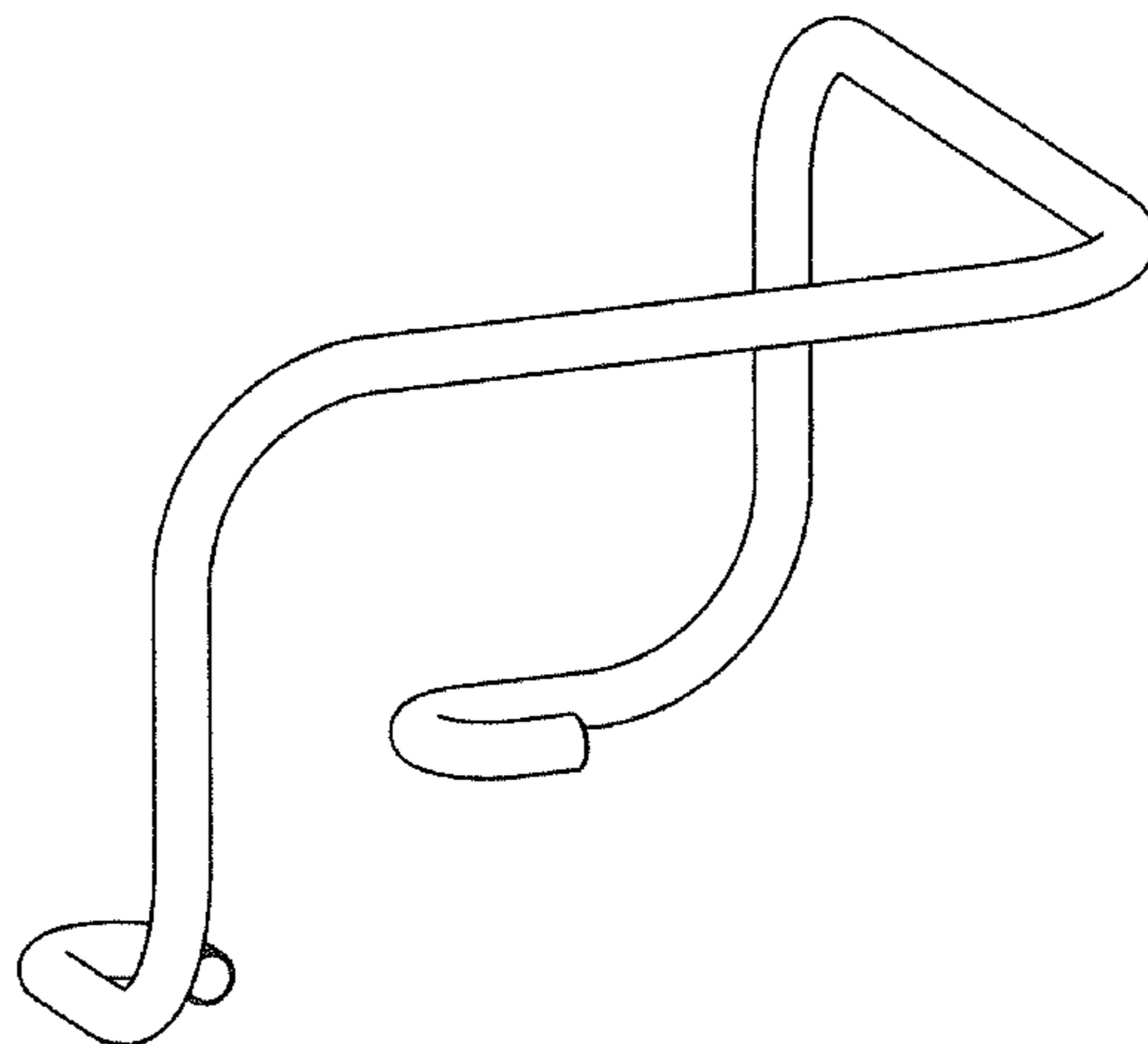
FIG. 7 is a left side view of the corner bracket of FIGS. 1-6;

FIG. 8 is a top view of the corner bracket of FIGS. 1-7; and,

FIG. 9 is a bottom view of the corner bracket of FIGS. 1-7.

The broken lines shown in the Figures are for environmental purposes only and form no part of the claimed design.

**1 Claim, 9 Drawing Sheets**



(56)

**References Cited**

U.S. PATENT DOCUMENTS

D433,930 S *	11/2000	Kalat	.....	D8/395	D695,588 S *	12/2013	Cantwell	.....	D8/331
D434,308 S *	11/2000	Kalat	.....	D8/395	D698,629 S *	2/2014	Hansen	.....	D8/370
D434,309 S *	11/2000	Kalat	.....	D8/395	D699,556 S *	2/2014	Hendricks	.....	D8/354
D434,310 S *	11/2000	Kalat	.....	D8/395	D700,505 S *	3/2014	Totten	.....	D8/370
D436,026 S *	1/2001	Luther, Sr.	.....	D8/395	8,769,739 B1 *	7/2014	McCarty	.....	A47C 21/026 5/193
D438,782 S *	3/2001	Kalat	.....	D8/370	8,776,294 B1 *	7/2014	McCarty	.....	A47C 21/026 5/193
D439,142 S *	3/2001	McGrath, Jr.	.....	D8/370	D710,680 S *	8/2014	Chen	.....	D8/370
D458,115 S *	6/2002	Harms	.....	D8/363	D717,691 S *	11/2014	Pirker	.....	D11/209
D572,044 S *	7/2008	Miros	.....	D8/370	D731,877 S *	6/2015	Hanson	.....	D30/161
D582,258 S *	12/2008	Ripley	.....	D8/354	2010/0229309 A1 *	9/2010	Goldsmith	.....	A47C 21/026 5/658
7,607,181 B1 *	10/2009	Harrison	.....	A47C 21/026 5/411	2015/0359346 A1 *	12/2015	Scarleski	.....	A47C 21/026 5/658
D650,655 S *	12/2011	Wester	.....	D8/354	2015/0366362 A1 *	12/2015	Scarleski	.....	A47C 21/026 5/658
D651,066 S *	12/2011	Johnson, III	.....	D8/354					
D651,067 S *	12/2011	Johnson, III	.....	D8/354					

\* cited by examiner

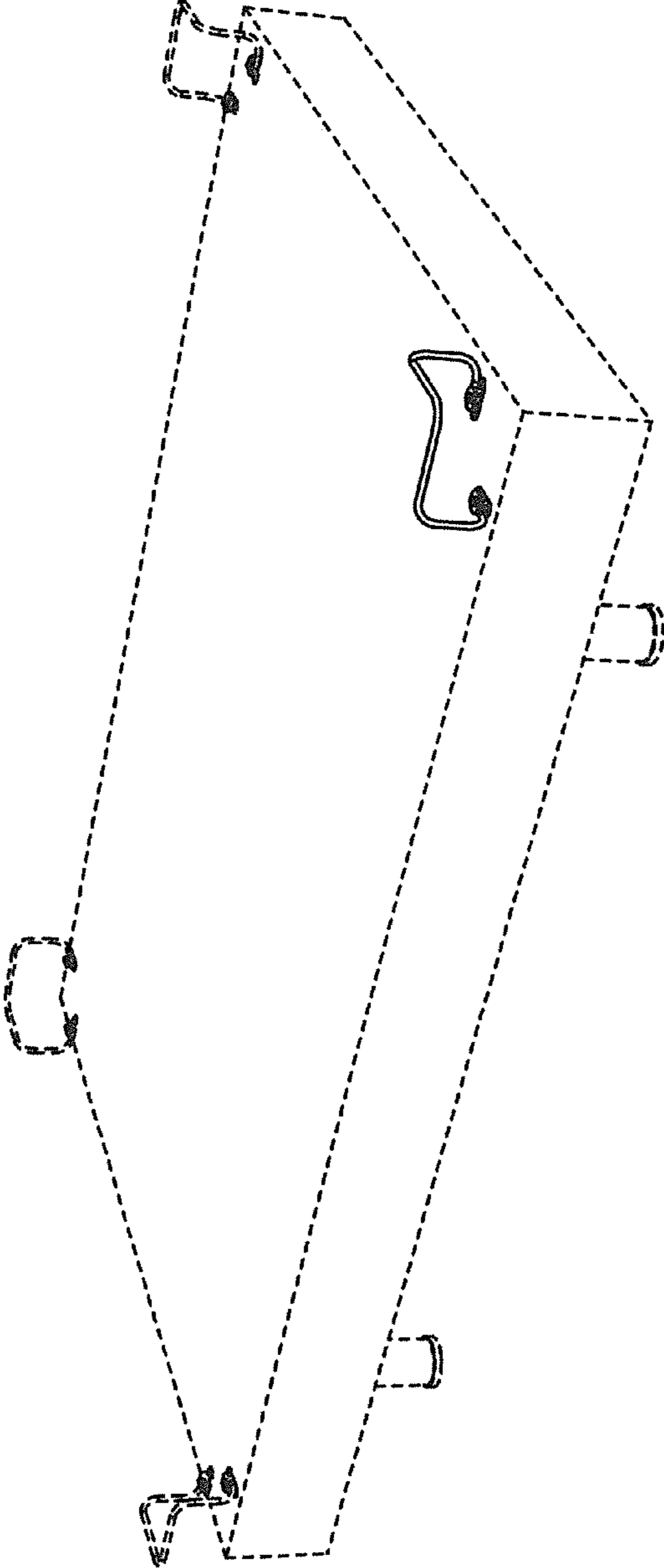


Fig 1

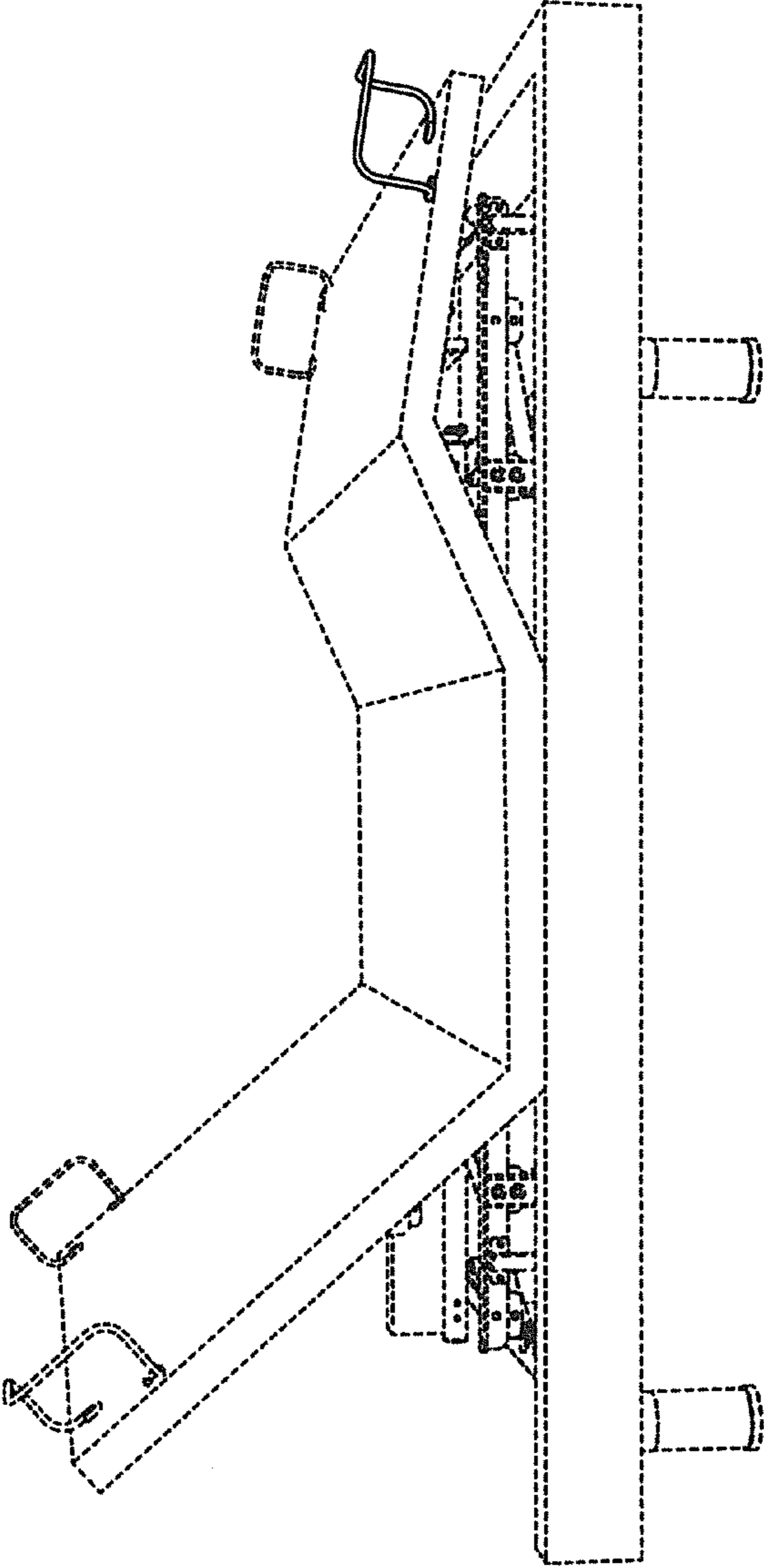


Fig 2

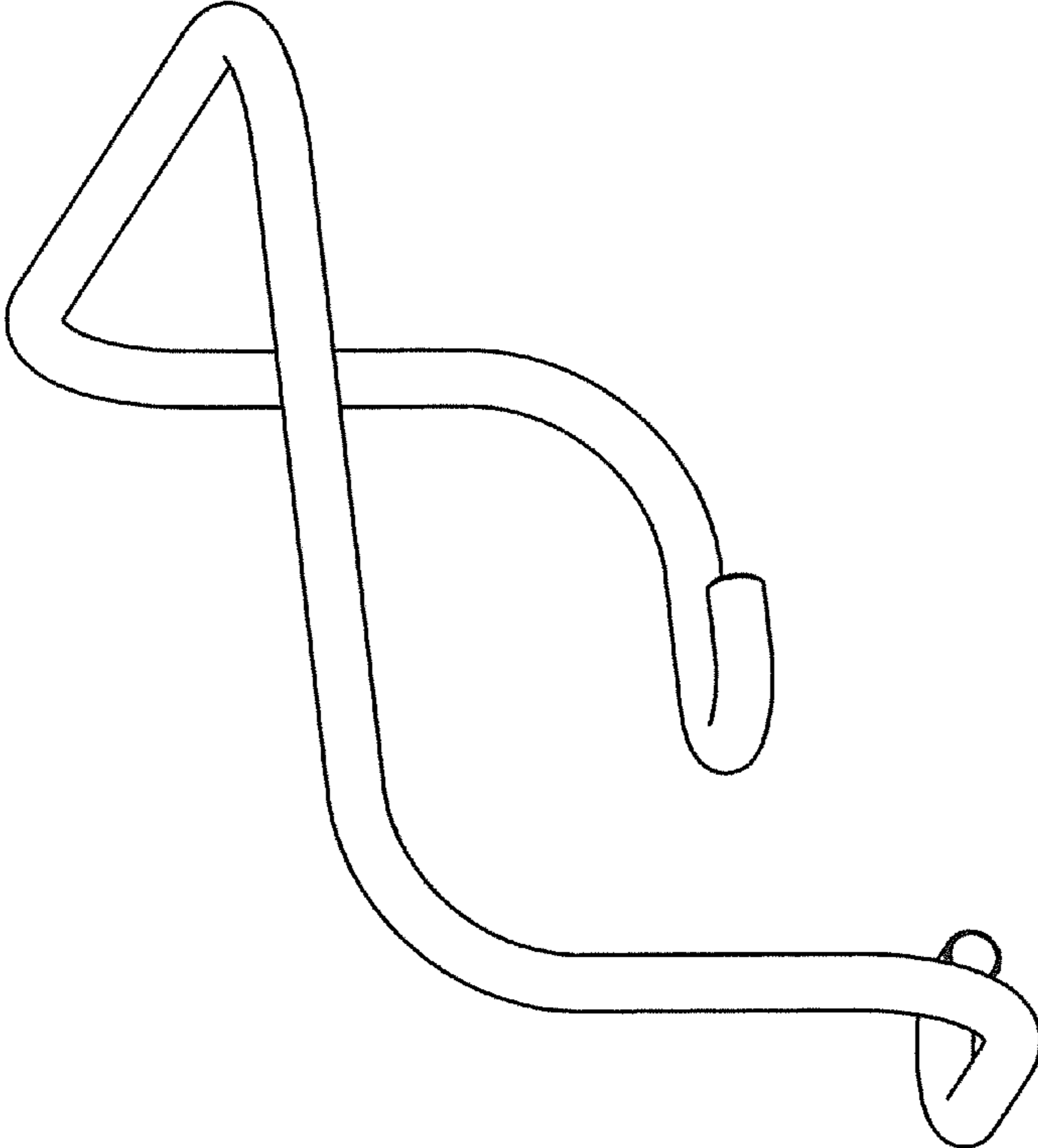


Fig 3

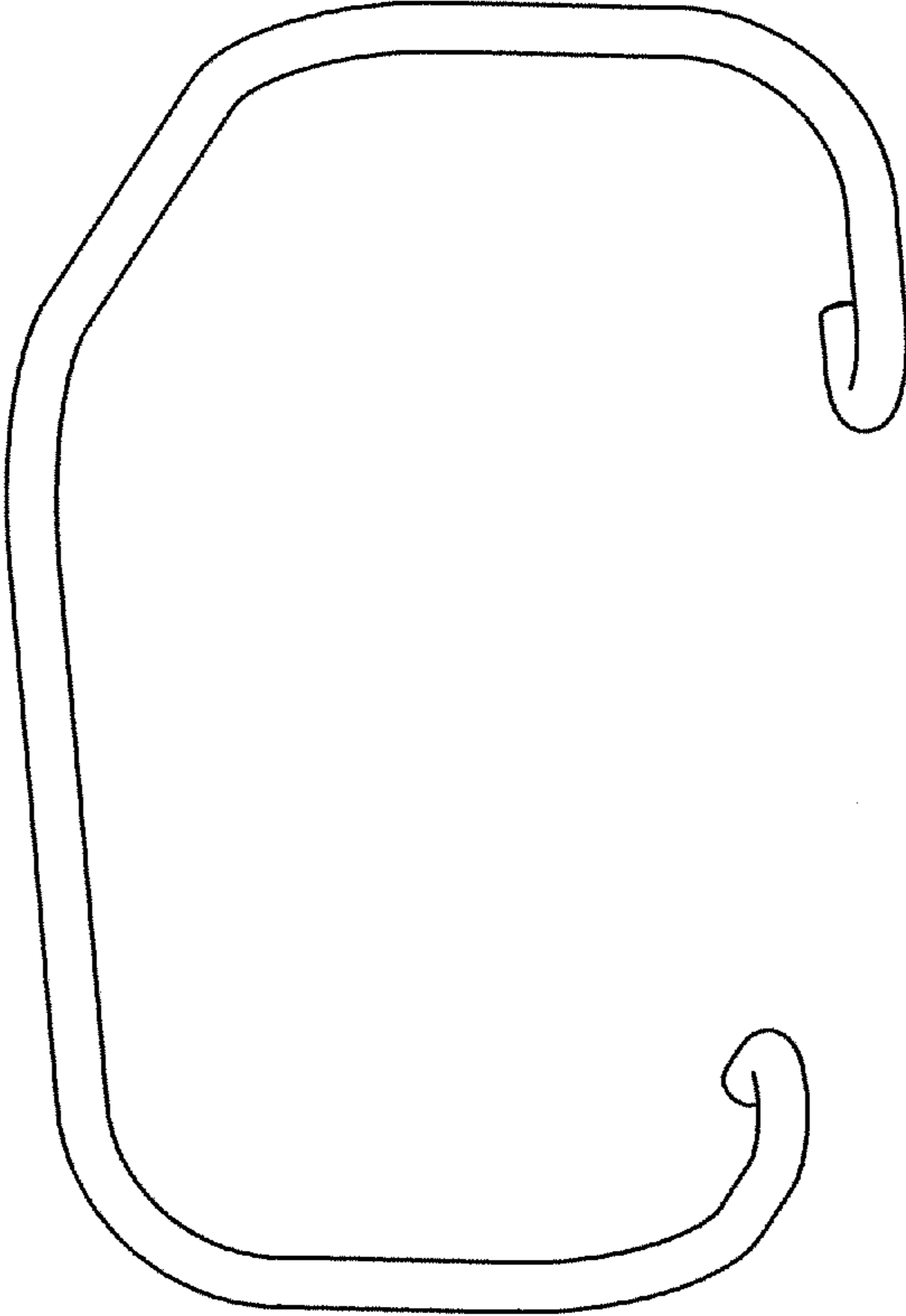


Fig 4

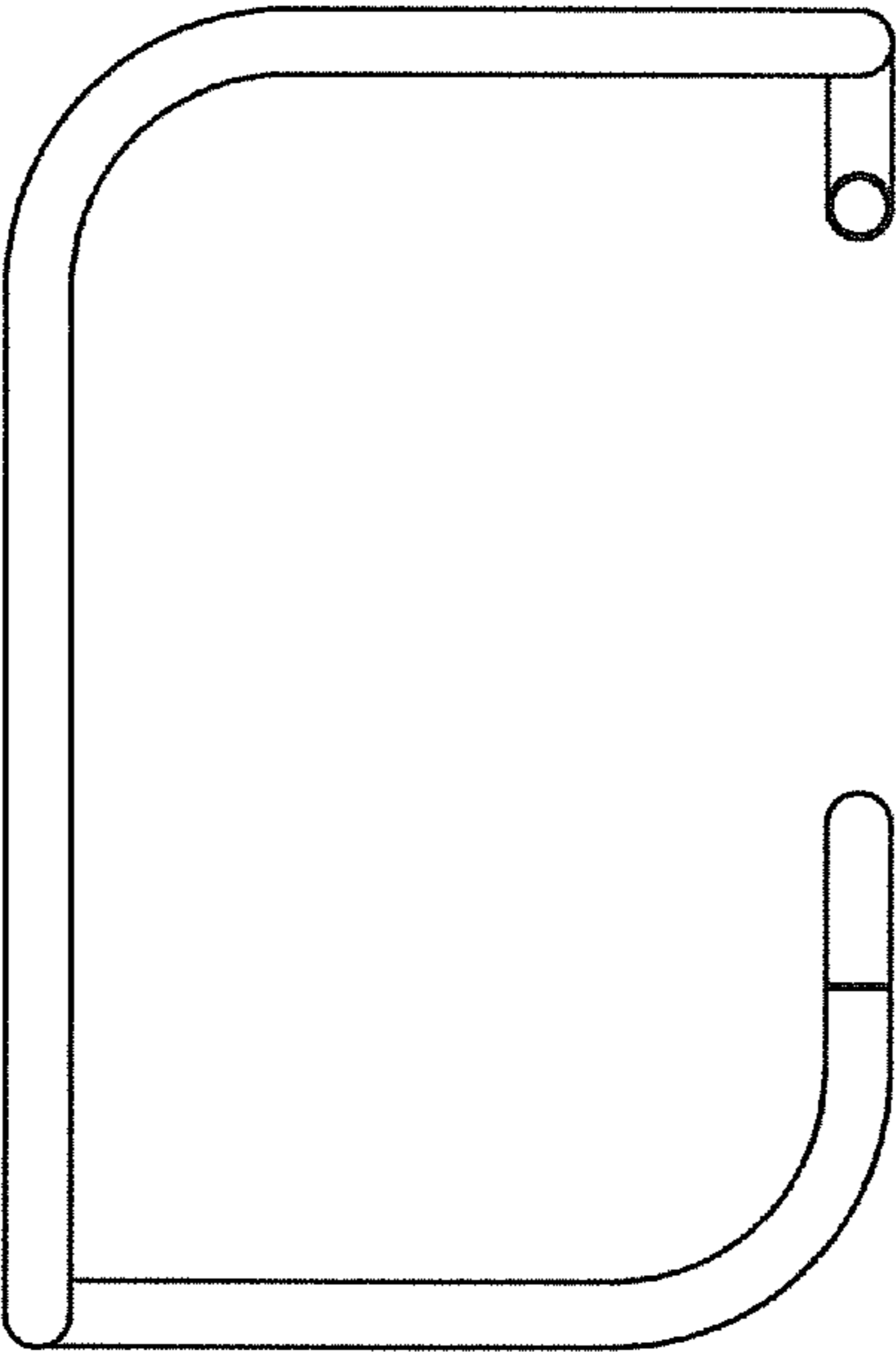


Fig 5

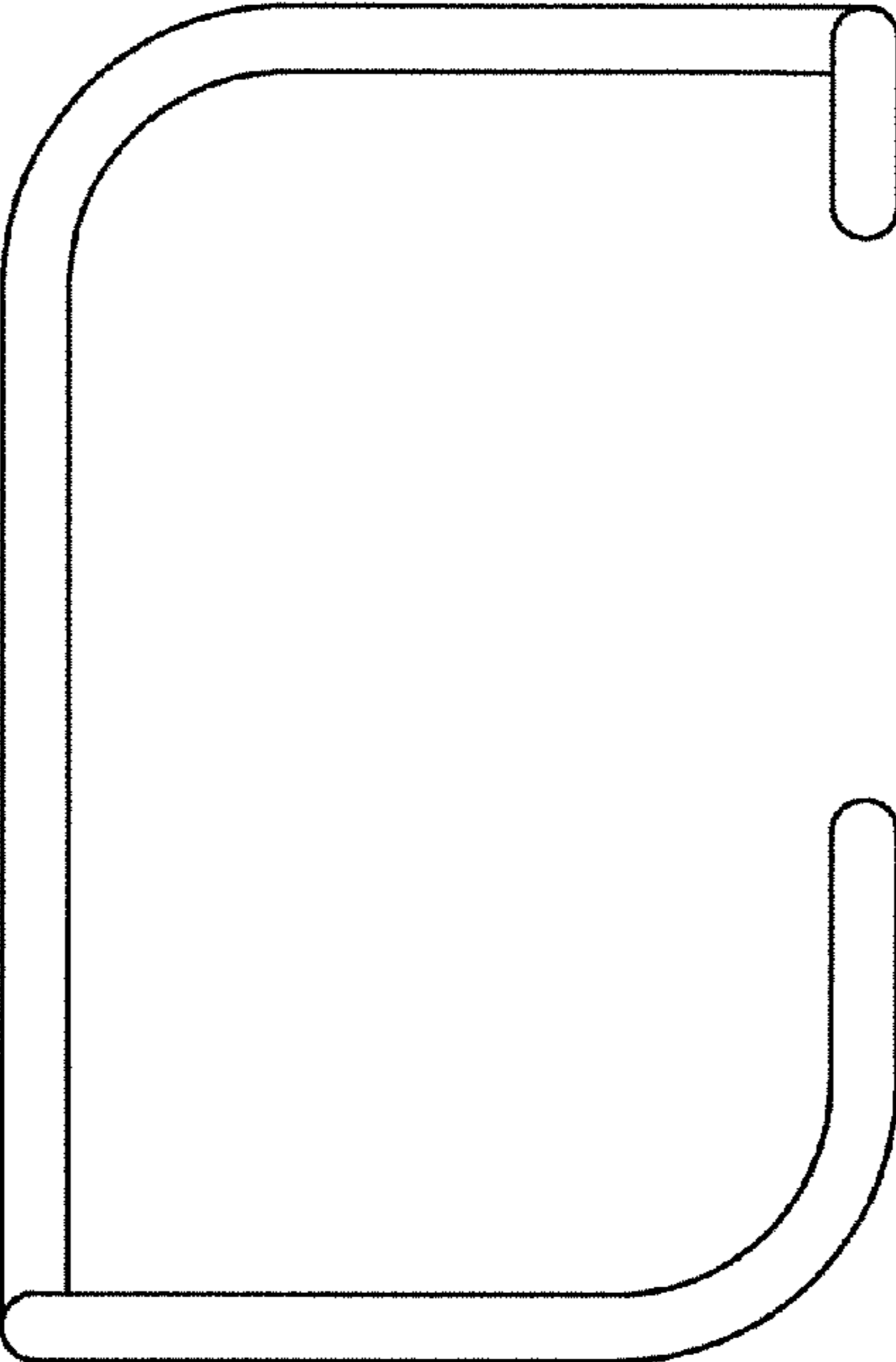


Fig 6



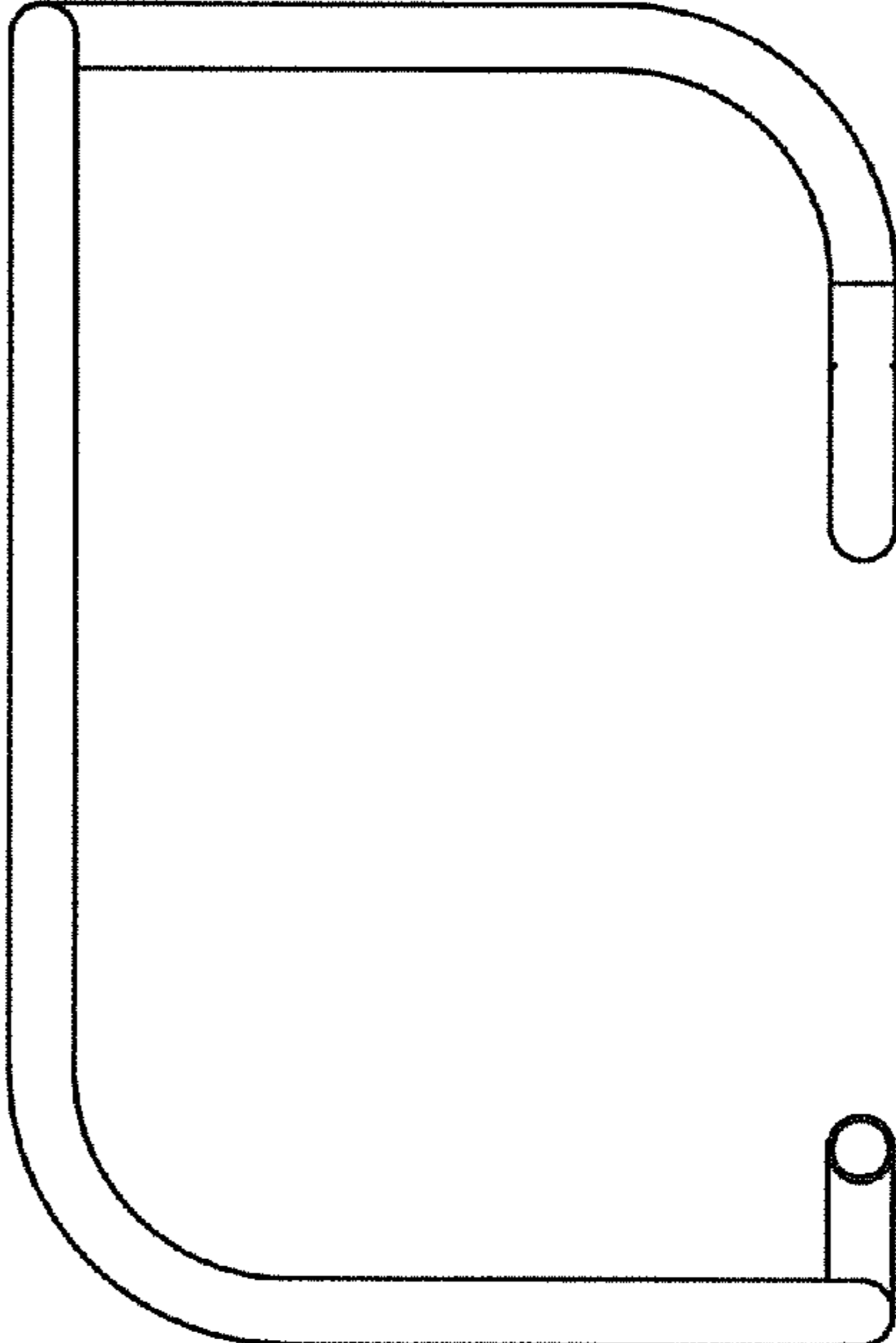


Fig 7

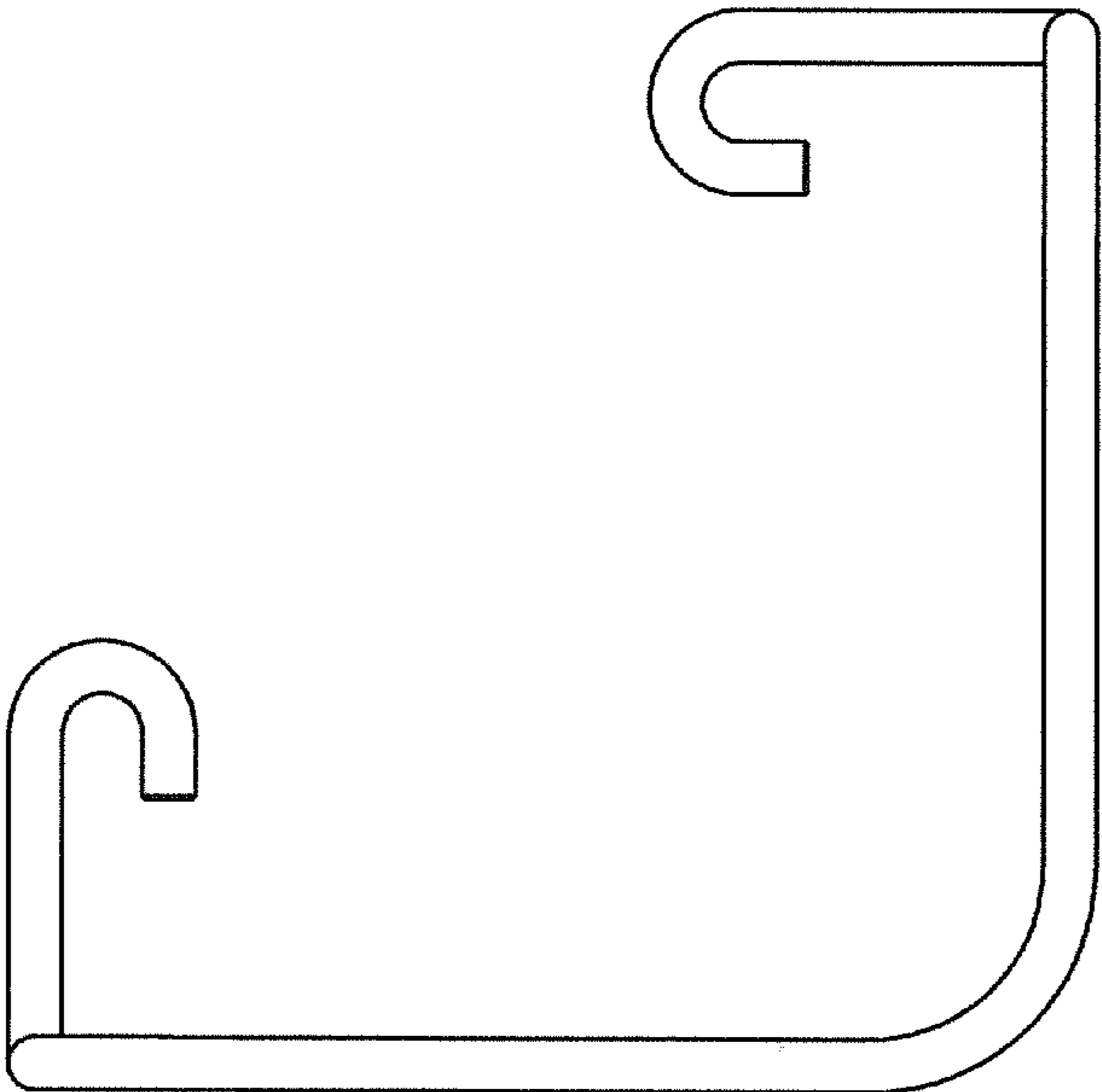


Fig 8

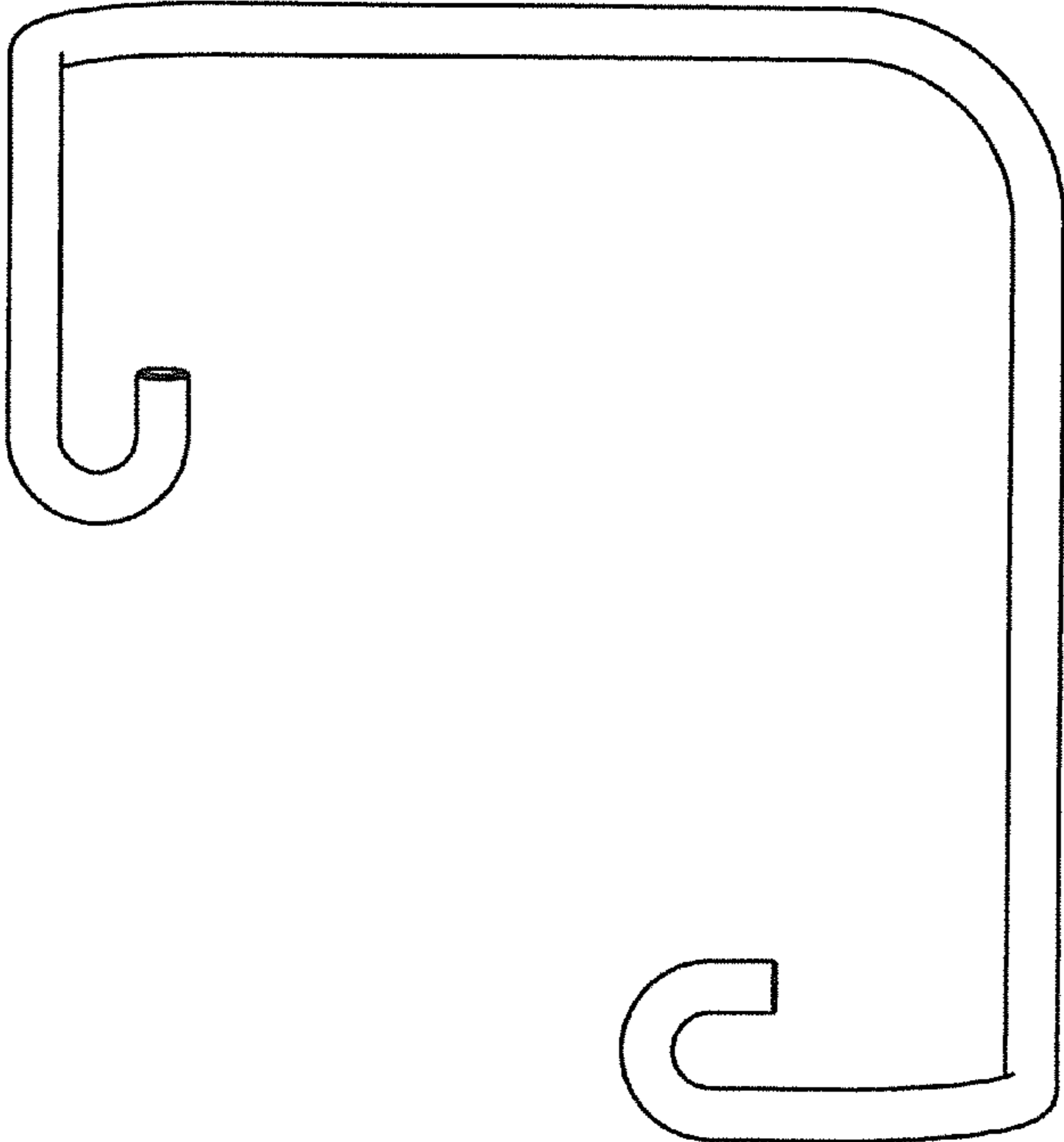


Fig 9