



US00D757526S

(12) **United States Design Patent**
Stolp

(10) **Patent No.:** **US D757,526 S**
(45) **Date of Patent:** **** May 31, 2016**

(54) **HINGED HOOK**
(71) Applicant: **Andrew Stolp**, Cheltenham (AU)
(72) Inventor: **Andrew Stolp**, Cheltenham (AU)
(**) Term: **14 Years**
(21) Appl. No.: **29/474,132**
(22) Filed: **Jun. 11, 2014**
(30) **Foreign Application Priority Data**
Dec. 4, 2013 (AU) 16349/2013
(51) **LOC (10) CL.** **08-05**
(52) **U.S. CL.**
USPC **D8/367**
(58) **Field of Classification Search**
USPC D8/367, 398, 394, 382, 349, 312, 107,
D8/399, 397, 360, 356; D11/222; D2/869
CPC A41F 9/007; A47G 29/083; A47G 25/065;
B60N 3/005; B60P 7/0807; B60R 7/10
See application file for complete search history.

(56) **References Cited**
U.S. PATENT DOCUMENTS
D320,152 S * 9/1991 Schreib D8/367
6,109,579 A * 8/2000 Huang B60P 7/0807
248/294.1
7,118,082 B2 * 10/2006 Brnjac A47G 25/065
211/106.01
7,234,672 B1 * 6/2007 Osterholt B60R 7/10
248/290.1
D566,532 S * 4/2008 Wolff D8/367
7,429,024 B2 * 9/2008 Boklund-Moran .. A47G 29/083
16/429

D603,247 S * 11/2009 Harrell D8/367
7,681,851 B1 * 3/2010 Osterholt A47G 25/065
248/308
8,096,517 B1 * 1/2012 Hamilton B60N 3/005
211/106.01
D668,936 S * 10/2012 Wyatt D8/367
D669,766 S * 10/2012 Mirer D8/367
D715,624 S * 10/2014 Thompson D8/367
D717,701 S * 11/2014 Hudson D12/115
2006/0289714 A1 * 12/2006 Boklund-Moran .. A47G 29/083
248/339
2007/0114348 A1 * 5/2007 Nawrocki A47F 5/0006
248/220.21
2009/0260192 A1 * 10/2009 McCarthy A41F 9/007
24/3.12
2014/0158845 A1 * 6/2014 Fliger F16M 11/041
248/309.1

* cited by examiner

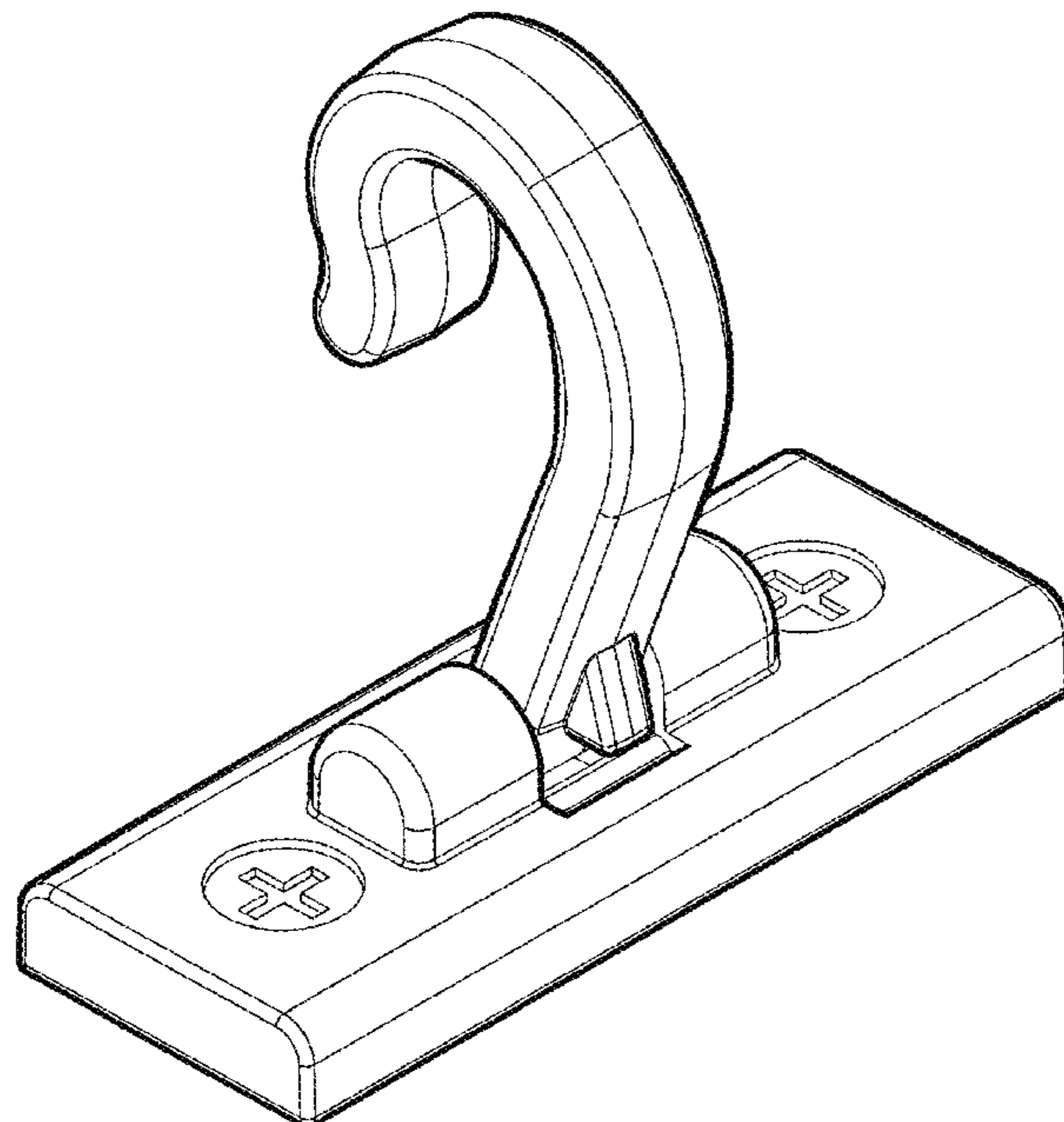
Primary Examiner — Cynthia Underwood

(57) **CLAIM**
The ornamental design for a hinged hook, as shown and described.

DESCRIPTION

FIG. 1 shows a top perspective view of the hinged hook.
FIG. 2 shows a bottom perspective view of the hinged hook thereof.
FIG. 3 shows a side view of the hinged hook in the down position thereof; and,
FIG. 4 shows a side view of the hinged hook in the up position thereof.
The broken lines in FIG. 2 depict circular witness marks created during the manufacturing process and do not form any part of the claim.

1 Claim, 4 Drawing Sheets



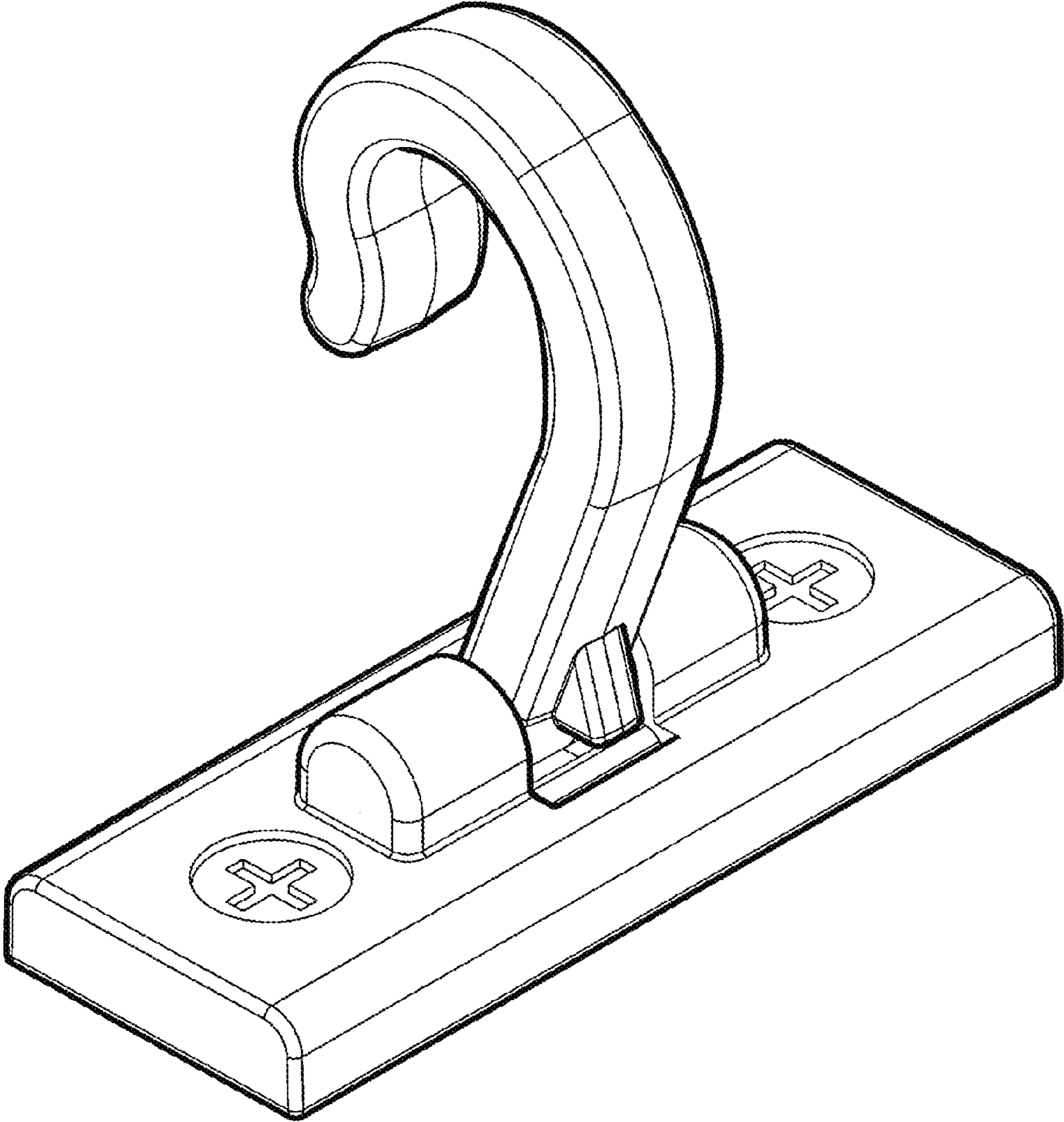


Fig. 1

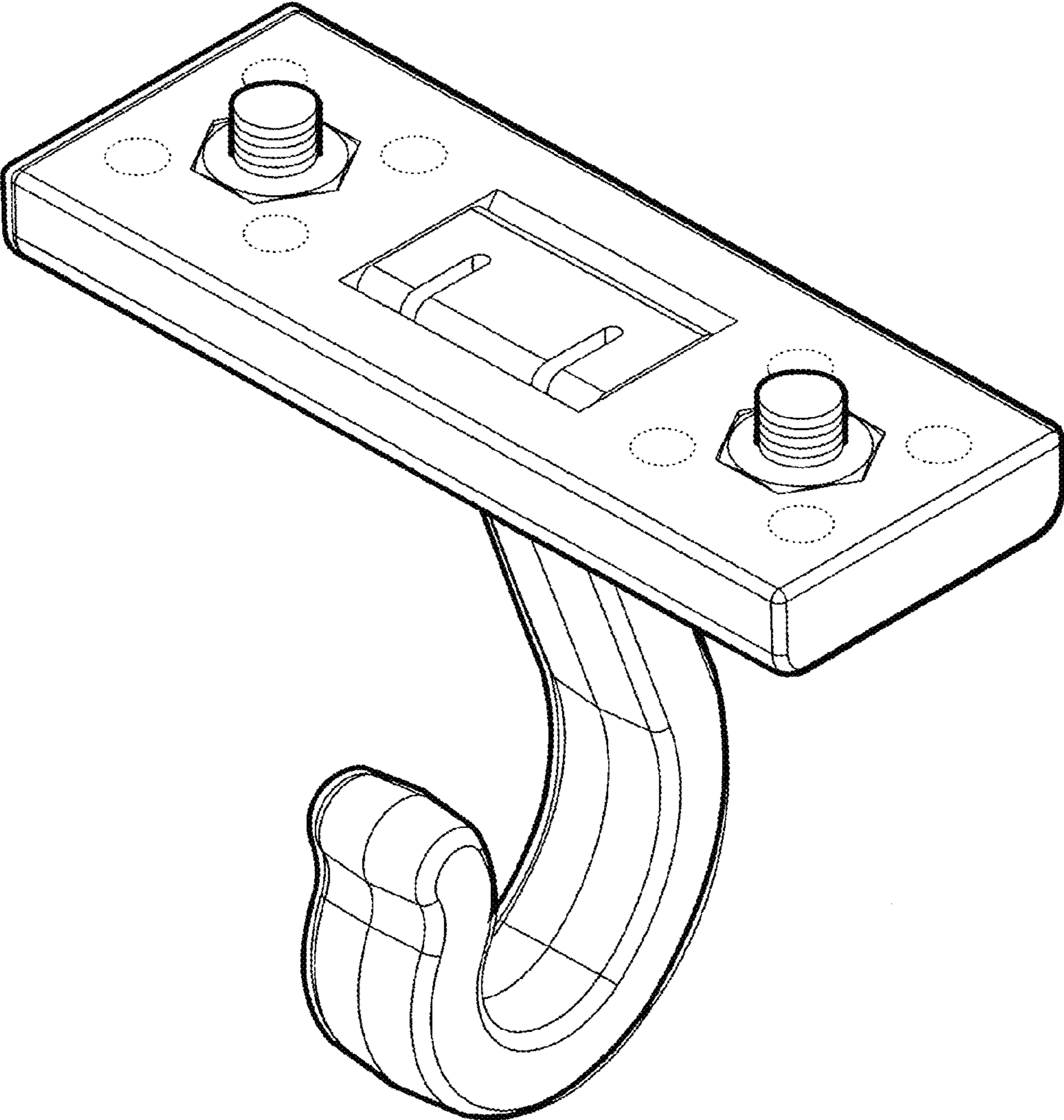


Fig. 2

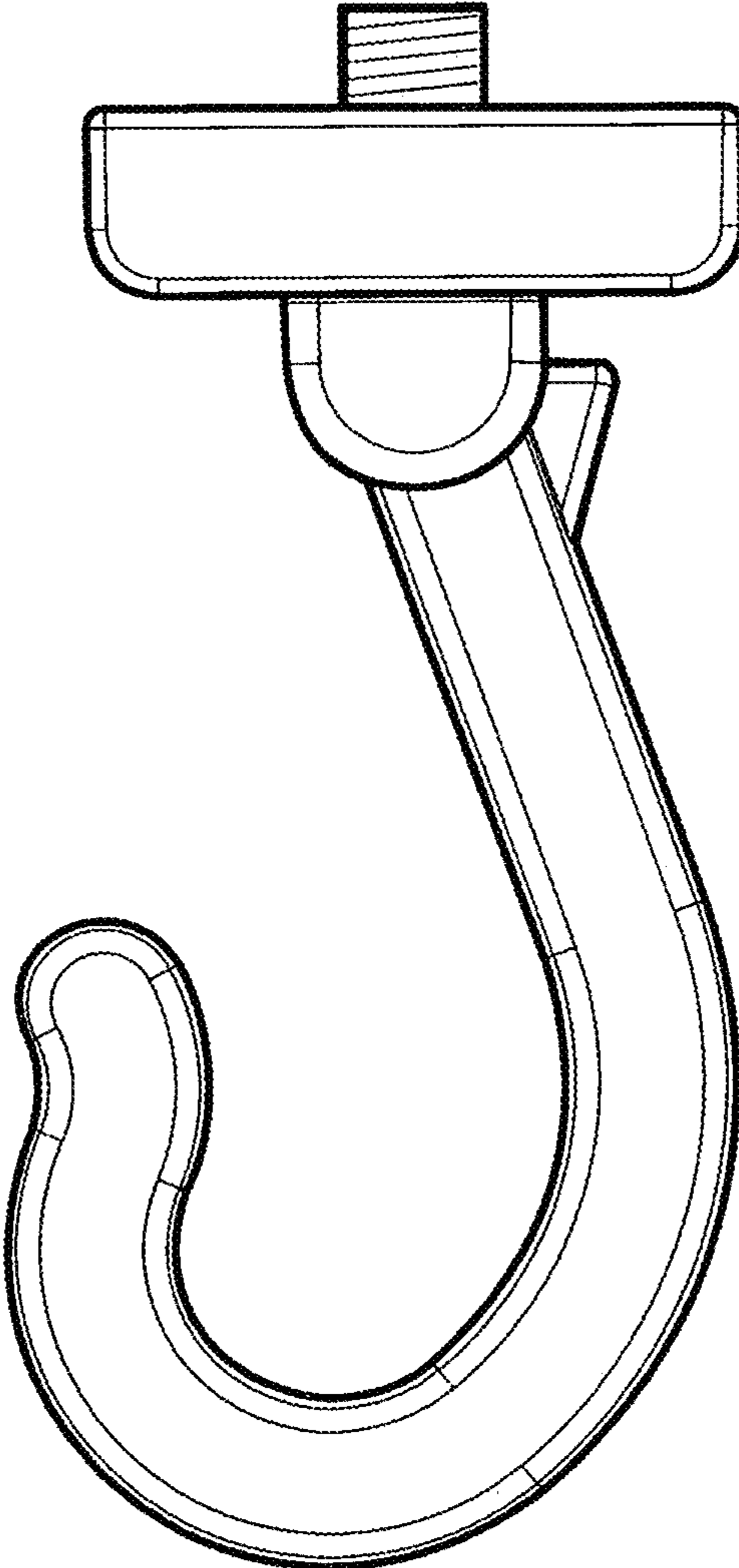


Fig. 3

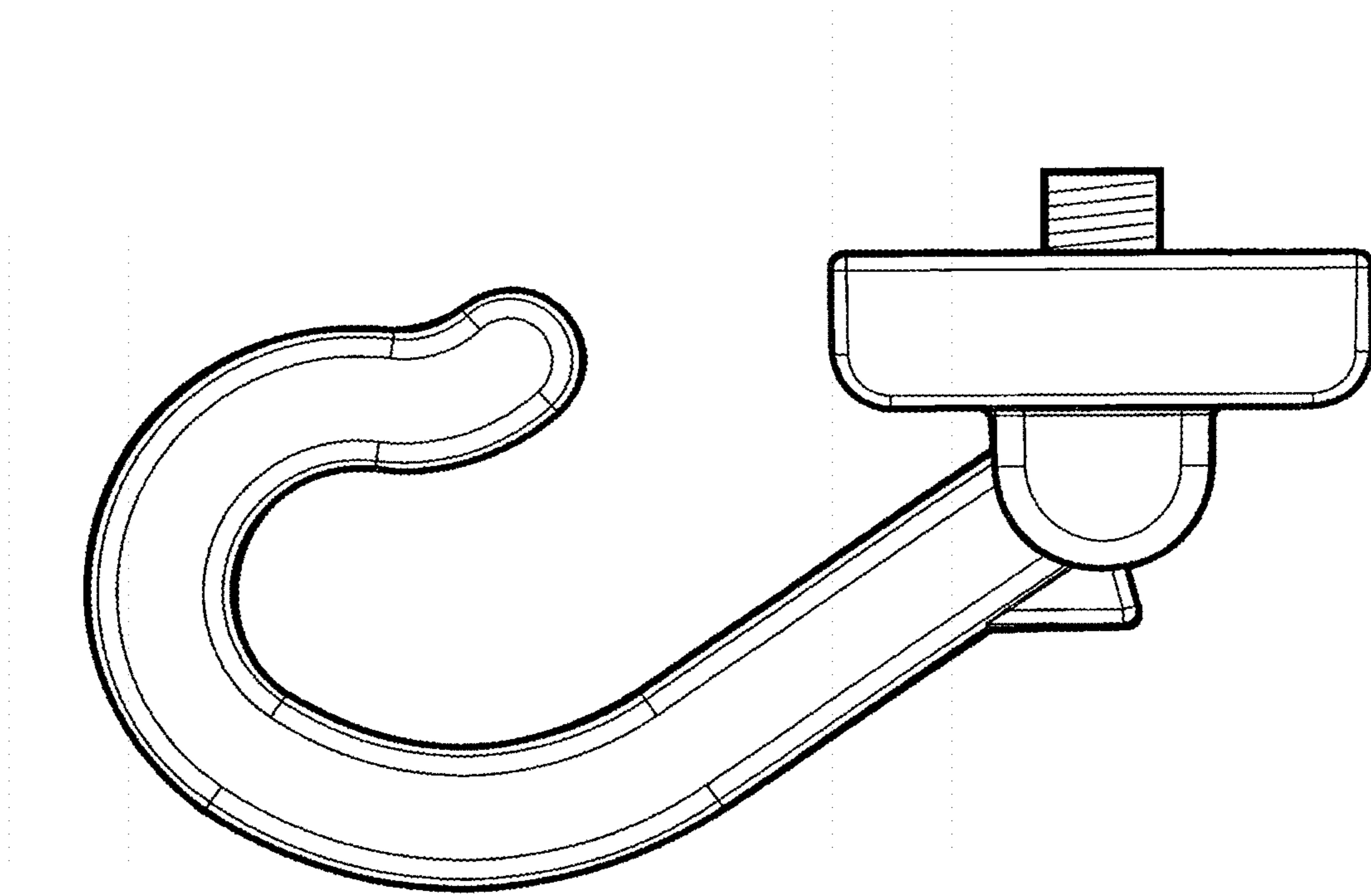


Fig. 4