

US00D757525S

(12) **United States Design Patent**
Glasband et al.

(10) **Patent No.:** **US D757,525 S**
(45) **Date of Patent:** **** May 31, 2016**

(54) **PULLEY**

(71) Applicants: **Debra Sterling Glasband**, San Francisco, CA (US); **William Lewis**, San Francisco, CA (US); **Clinton Cope**, San Francisco, CA (US); **Jannita Hanson**, Medford, OR (US)

(72) Inventors: **Debra Sterling Glasband**, San Francisco, CA (US); **William Lewis**, San Francisco, CA (US); **Clinton Cope**, San Francisco, CA (US); **Jannita Hanson**, Medford, OR (US)

(73) Assignee: **GoldieBlox, Inc.**, Oakland, CA (US)

(**) Term: **14 Years**

(21) Appl. No.: **29/497,638**

(22) Filed: **Jul. 25, 2014**

(51) **LOC (10) Cl.** **08-05**

(52) **U.S. Cl.**
USPC **D8/360**

(58) **Field of Classification Search**
USPC D8/397, 394, 382, 349, 312, 107, 399, D8/360, 356; D11/222; D2/869
CPC F16L 19/0206; B60B 3/16; F16B 39/26; F16B 39/24; F16B 37/02; F16B 31/02; H01R 9/0524

See application file for complete search history.

6,231,063 B1 * 5/2001 Chi B62K 21/06 280/276

D489,962 S * 5/2004 Hodjat D8/360

D517,404 S * 3/2006 Schluter D8/387

D581,777 S * 12/2008 Huang D8/397

D598,480 S * 8/2009 Kanemitsu D15/148

D634,248 S * 3/2011 Chen D12/177

7,896,380 B2 * 3/2011 Tange B62K 19/32 280/276

D644,921 S * 9/2011 Hsu D8/399

D645,337 S * 9/2011 Hsu D8/399

D663,243 S * 7/2012 Li D12/118

D678,040 S * 3/2013 Shikama D8/360

D688,549 S * 8/2013 Shikama D8/360

8,517,845 B2 * 8/2013 Shin F16F 15/126 403/12

D700,682 S * 3/2014 Bayyouk D23/233

8,740,464 B2 * 6/2014 Berns F16C 33/7806 277/579

8,753,042 B1 * 6/2014 Thompson F16B 5/0692 405/259.1

D710,191 S * 8/2014 Yamazaki D8/399

D719,798 S * 12/2014 Thompson D8/1

D731,300 S * 6/2015 Vargas D8/397

D738,710 S * 9/2015 Shin D8/360

2004/0060723 A1 * 4/2004 Pallapothu B60R 16/0222 174/653

2004/0084099 A1 * 5/2004 Miura F16L 55/1141 138/89

* cited by examiner

Primary Examiner — Cynthia Underwood
(74) *Attorney, Agent, or Firm* — Christensen O'Connor Johnson Kindness PLLC

(57) **CLAIM**
The ornamental design for a pulley, as shown and described.

DESCRIPTION

FIG. 1 is an isometric view of a first embodiment of a pulley according to our new design;
FIG. 2 is a top view of the pulley of FIG. 1;
FIG. 3 is a side view of the pulley of FIG. 1; and,
FIG. 4 is a cross-sectional view thereof, taken from line 4-4 in FIG. 2.

The cross-hatched portions of the cross-sectional views and the broken lines depicted in the FIGURES are directed to unclaimed features and are for illustrative purposes only; the cross-hatched portions and broken lines form no part of the claimed design.

1 Claim, 3 Drawing Sheets

(56) **References Cited**

U.S. PATENT DOCUMENTS

D46,078 S * 7/1914 Wardwell D3/24

3,069,919 A * 12/1962 Schultz, Jr. F16H 55/44 474/169

D245,669 S * 9/1977 Woods D8/360

D246,313 S * 11/1977 Gunn D15/148

D252,750 S * 8/1979 Painter D14/260

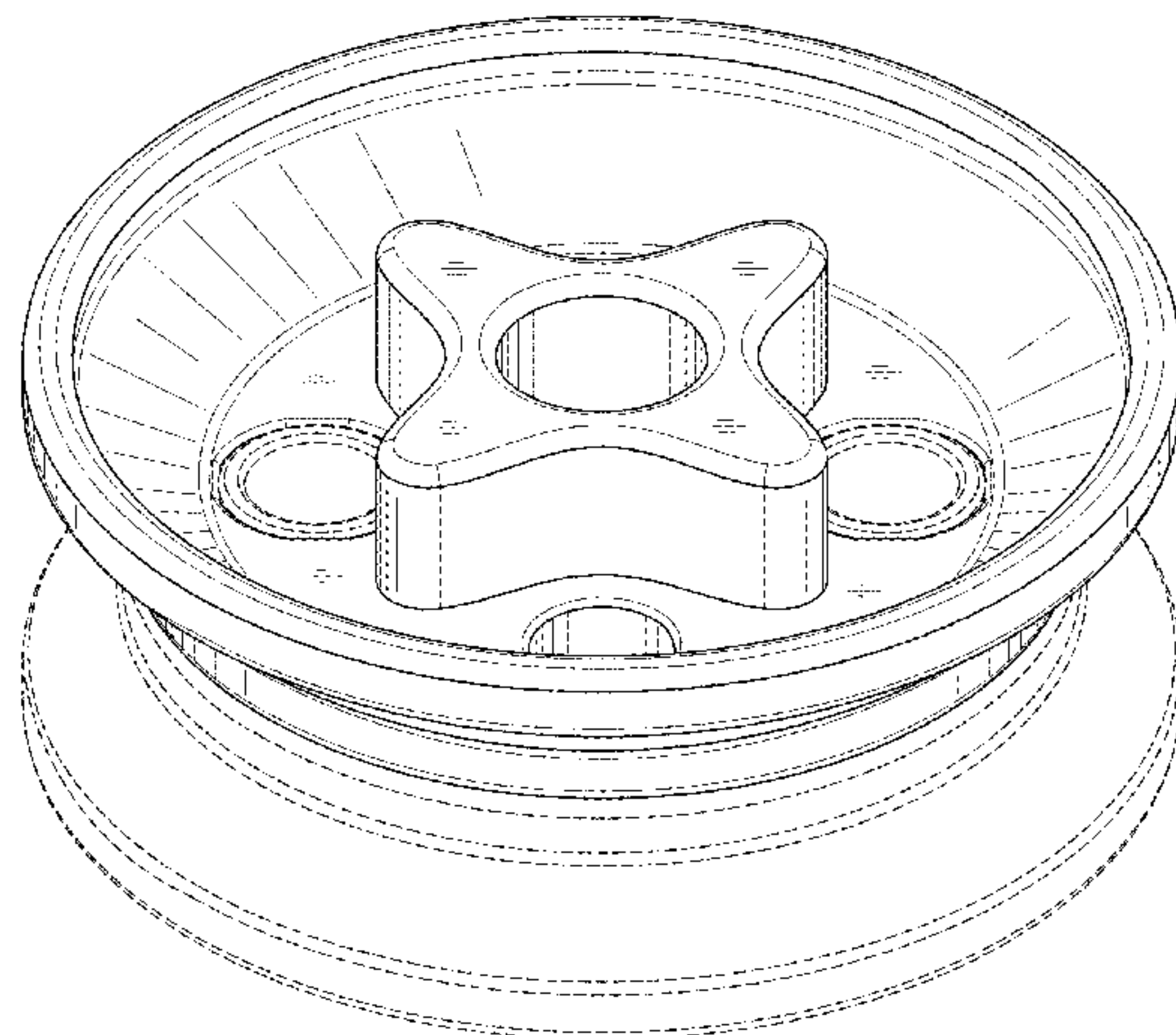
D252,751 S * 8/1979 Painter D14/260

D260,963 S * 9/1981 Merry D8/360

4,292,876 A * 10/1981 De Graan F16B 43/001 411/369

5,755,545 A * 5/1998 Banks E04D 3/3606 411/482

D410,869 S * 6/1999 Singer D12/114



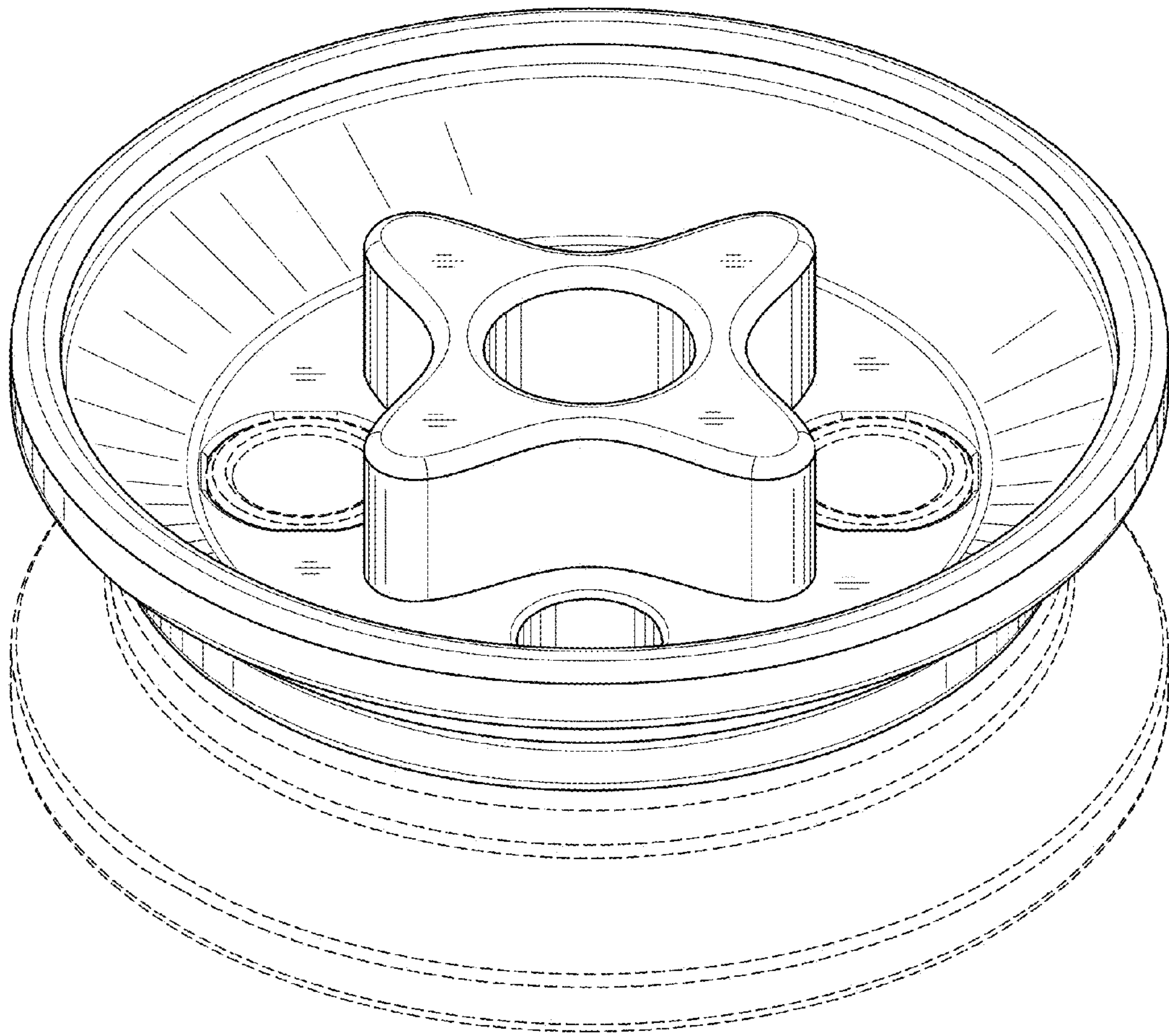


Fig. 1.

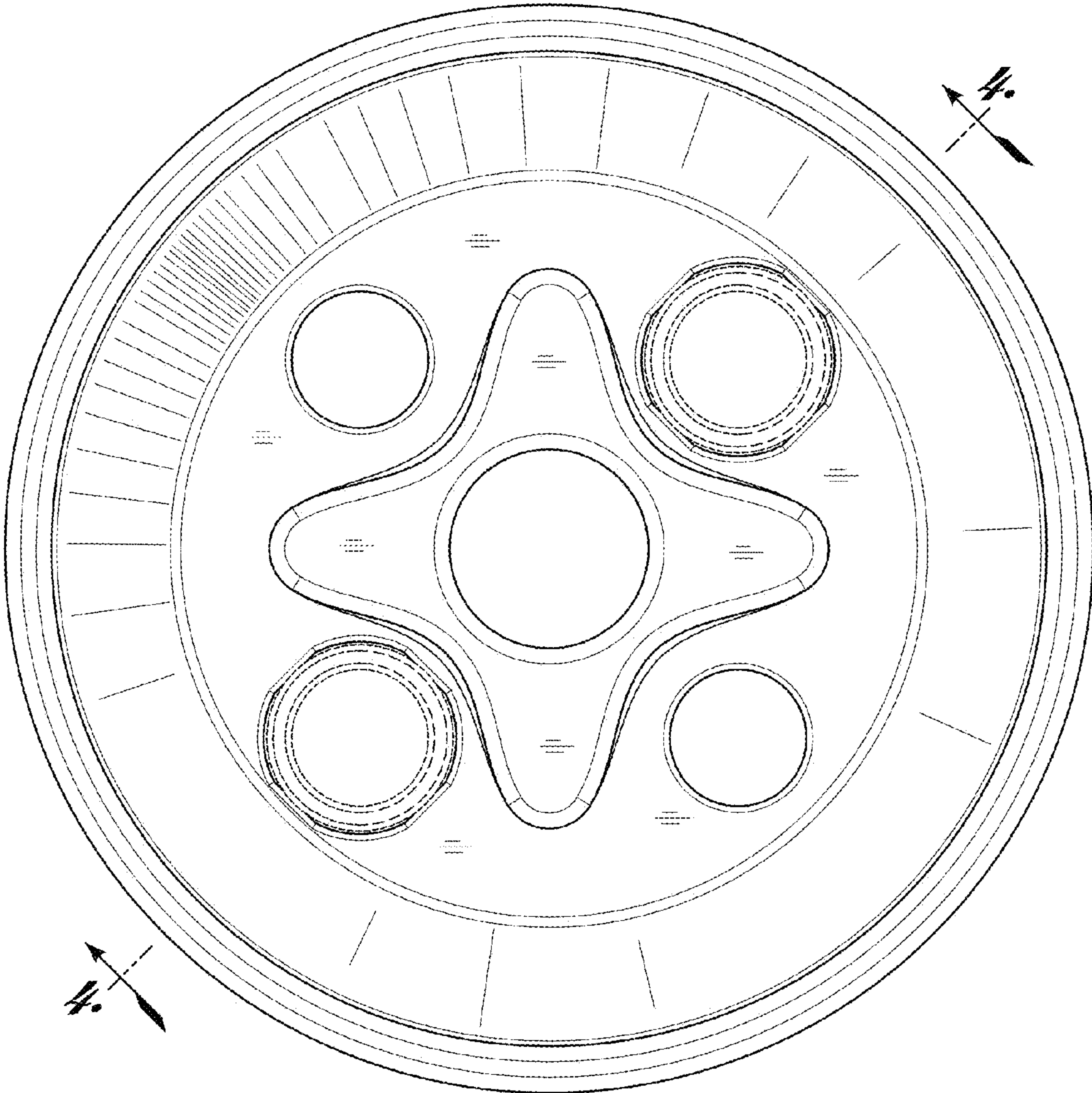


Fig. 2.

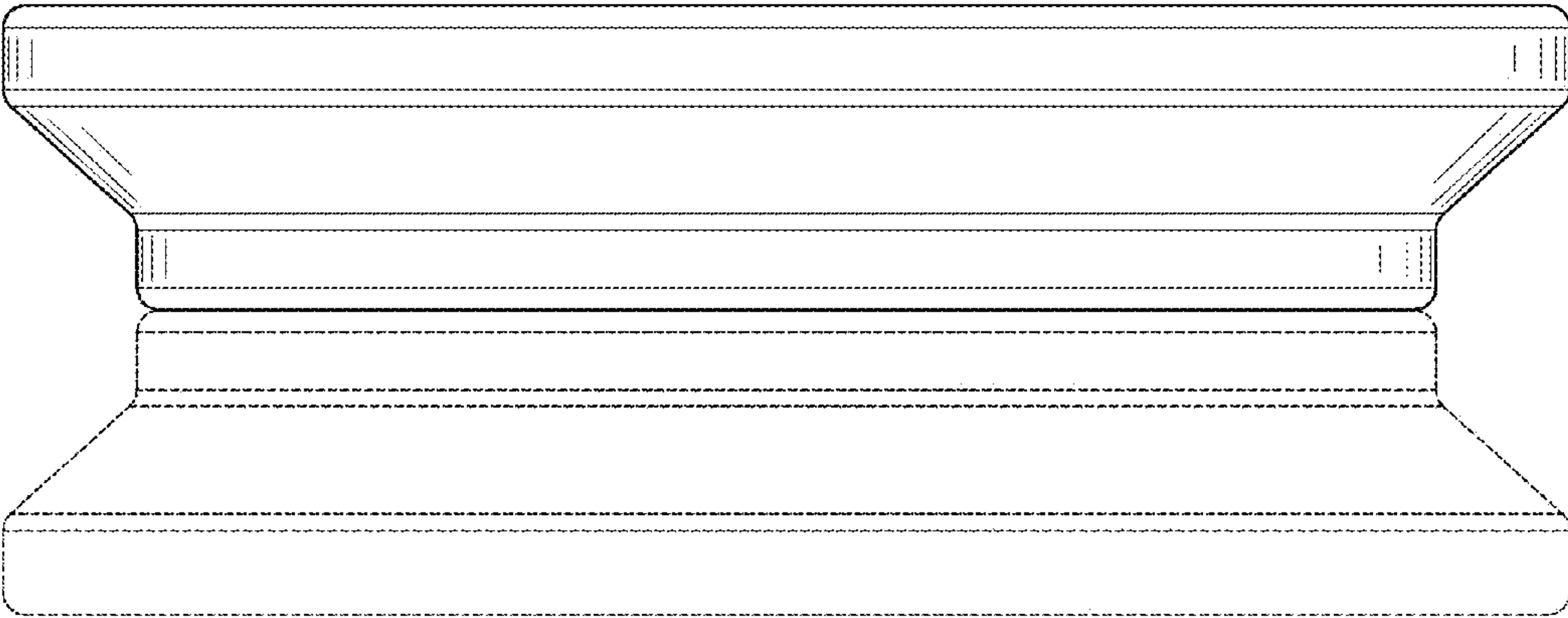


Fig. 3.

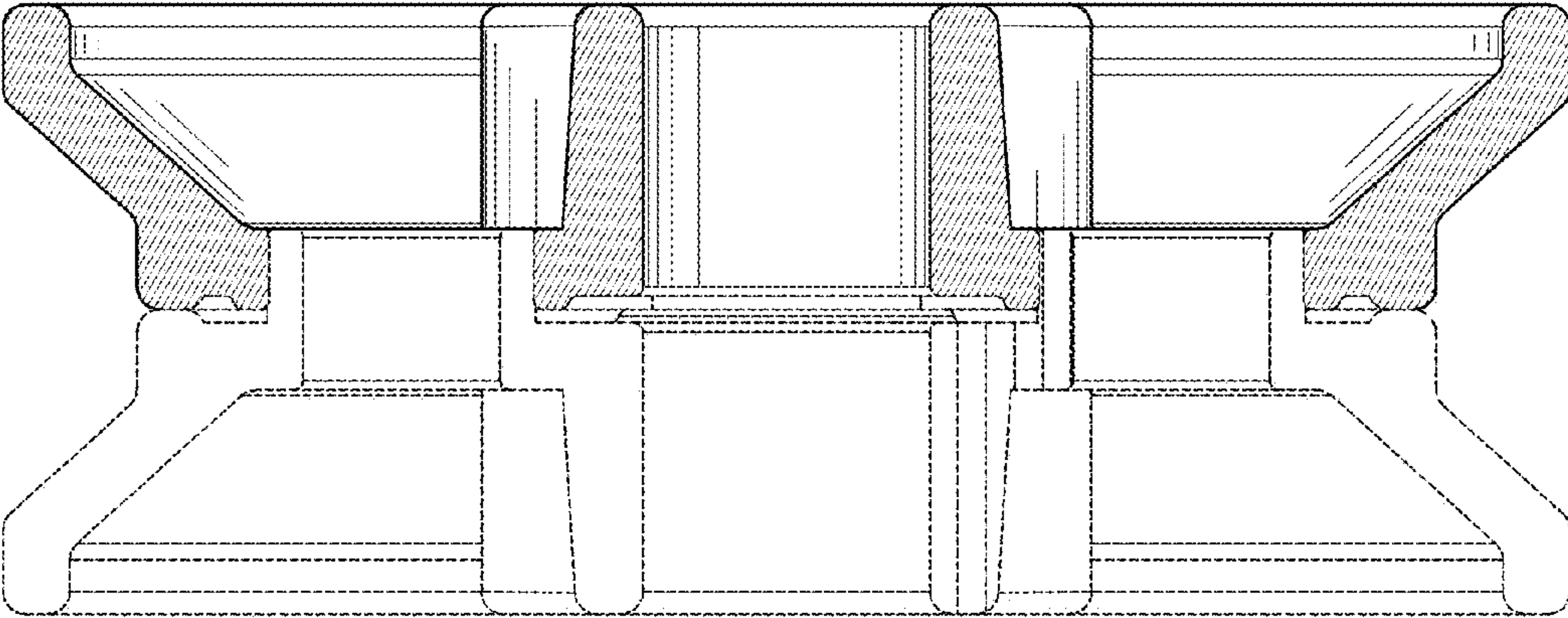


Fig. 4.