



US00D757524S

(12) **United States Design Patent**
Eide

(10) **Patent No.:** **US D757,524 S**
(45) **Date of Patent:** **** May 31, 2016**

- (54) **DRIVE PULLEY**
- (71) Applicant: **Andrew Eide**, Rockwall, TX (US)
- (72) Inventor: **Andrew Eide**, Rockwall, TX (US)
- (73) Assignee: **Aerus LLC**, Dallas, TX (US)
- (**) Term: **14 Years**
- (21) Appl. No.: **29/493,870**
- (22) Filed: **Jun. 13, 2014**
- (51) **LOC (10) Cl.** **08-05**
- (52) **U.S. Cl.**
USPC **D8/360**
- (58) **Field of Classification Search**
USPC D8/397, 394, 382, 349, 312, 107, 399,
D8/360, 356; D11/222; D2/869
CPC F16L 19/0206; B60B 3/16; F16B 39/26;
F16B 39/24; F16B 37/02; F16B 31/02;
H01R 9/0524

See application file for complete search history.

D299,211	S *	1/1989	Ahlgren	474/188
4,976,003	A	12/1990	Williams		
5,755,545	A *	5/1998	Banks	E04D 3/3606
					411/482
D410,869	S *	6/1999	Singer	D12/114
6,231,063	B1 *	5/2001	Chi	B62K 21/06
					280/276
6,406,514	B1	6/2002	Vystreil et al.		
D489,962	S *	5/2004	Hodjat	D8/360
6,934,993	B1	8/2005	Huffman et al.		
D517,404	S *	3/2006	Schluter	D8/387
7,007,336	B2	3/2006	Roney et al.		
D581,777	S *	12/2008	Huang	D8/397
D598,480	S *	8/2009	Kanemitsu	D15/148
D634,248	S *	3/2011	Chen	D12/177
7,896,380	B2 *	3/2011	Tange	B62K 19/32
					280/276

(Continued)

Primary Examiner — Cynthia Underwood
(74) *Attorney, Agent, or Firm* — Howison & Arnott, L.L.P.

(57) **CLAIM**
I claim the ornamental design of a drive pulley, as shown and described.

DESCRIPTION

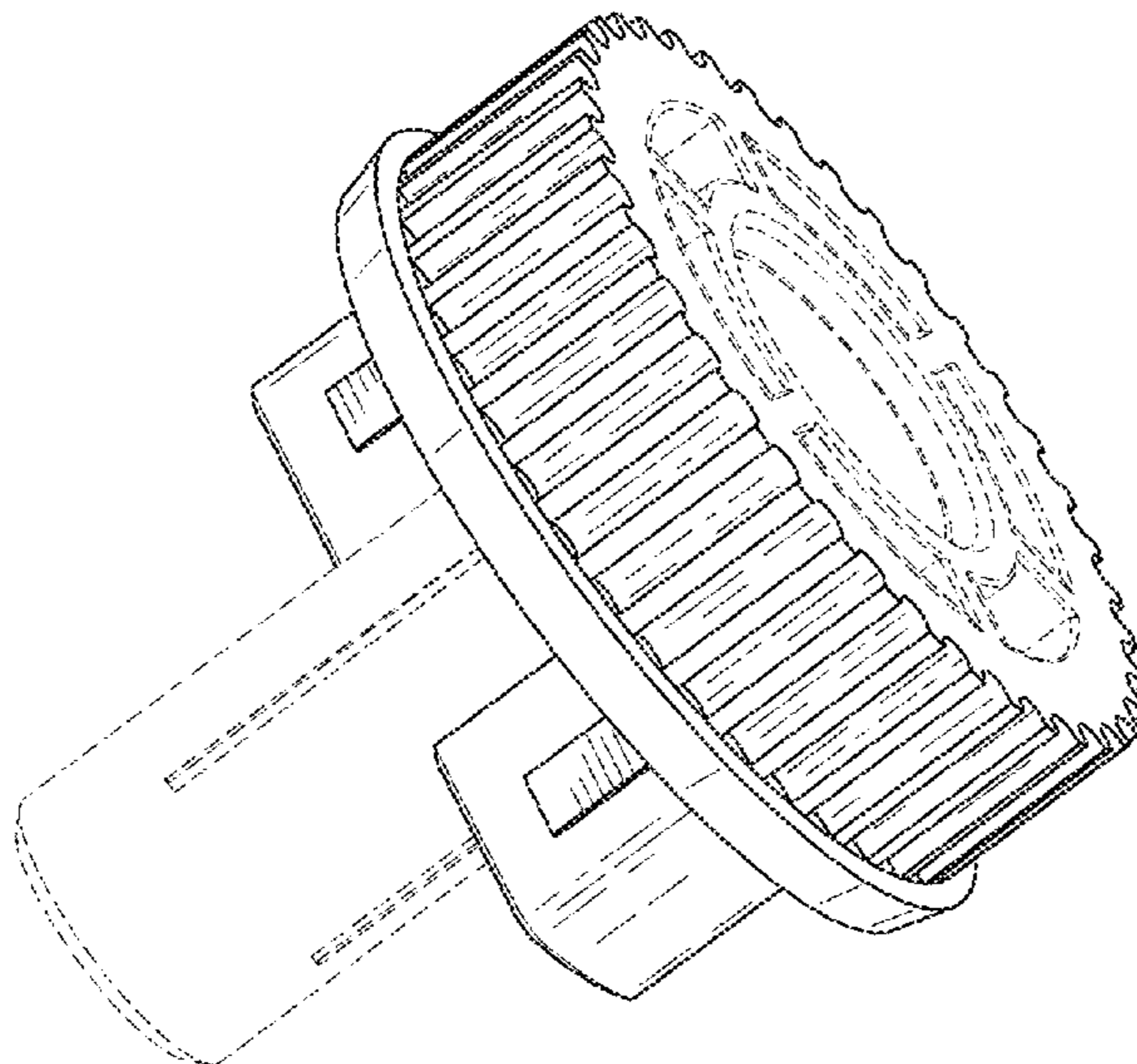
FIG. 1 is a perspective view of a drive pulley of the present design
FIG. 2 is a front view of the embodiment of FIG. 1;
FIG. 3 is a rear view of the embodiment of FIG. 1;
FIG. 4 is a right side view of the embodiment of FIG. 1;
FIG. 5 is a left side view of the embodiment of FIG. 1;
FIG. 6 is a top view of the embodiment of FIG. 1; and,
FIG. 7 is a bottom view of the embodiment of FIG. 1.
The drive pulley design is shown with broken lines (i.e., dash-dash-dash lines) for illustrative purposes only. The broken lines form no part of the claimed design. Instead, the broken lines depict structure that is not part of the claimed design, yet are considered necessary or useful to show an environment in which the design is used.

1 Claim, 4 Drawing Sheets

- (56) **References Cited**
U.S. PATENT DOCUMENTS

D46,078 S * 7/1914 Wardwell D3/24
3,069,919 A * 12/1962 Schultz, Jr. F16H 55/44
474/169

3,200,433 A 8/1965 Downey
3,266,078 A 8/1966 Brown et al.
3,567,637 A 3/1971 Sabol
D245,669 S * 9/1977 Woods D8/360
D246,313 S * 11/1977 Gunn D15/148
D252,750 S * 8/1979 Painter D14/260
D252,751 S * 8/1979 Painter D14/260
D260,963 S * 9/1981 Merry D8/360
4,292,876 A * 10/1981 De Graan F16B 43/001
411/369
4,545,778 A * 10/1985 Koivula F16G 1/28
474/153



(56)

References Cited

U.S. PATENT DOCUMENTS

D644,921 S *	9/2011	Hsu	D8/399	8,740,464 B2 *	6/2014	Berns	F16C 33/7806 277/579
D645,337 S *	9/2011	Hsu	D8/399	8,753,042 B1 *	6/2014	Thompson	F16B 5/0692 405/259.1
D663,243 S *	7/2012	Li	D12/118	D710,191 S *	8/2014	Yamazaki	D8/399
D669,343 S *	10/2012	Pesch	D8/360	D719,798 S *	12/2014	Thompson	D8/1
8,347,456 B2	1/2013	Sweeby et al.			D731,300 S *	6/2015	Vargas	D8/397
D678,040 S *	3/2013	Shikama	D8/360	D738,710 S *	9/2015	Shin	D8/360
D688,549 S *	8/2013	Shikama	D8/360	2004/0060723 A1 *	4/2004	Pallapothu	B60R 16/0222 174/653
8,517,845 B2 *	8/2013	Shin	F16F 15/126 403/12	2004/0084099 A1 *	5/2004	Miura	F16L 55/1141 138/89
D700,682 S *	3/2014	Bayyouk	D23/233	2011/0214248 A1	9/2011	McLeod et al.		

* cited by examiner

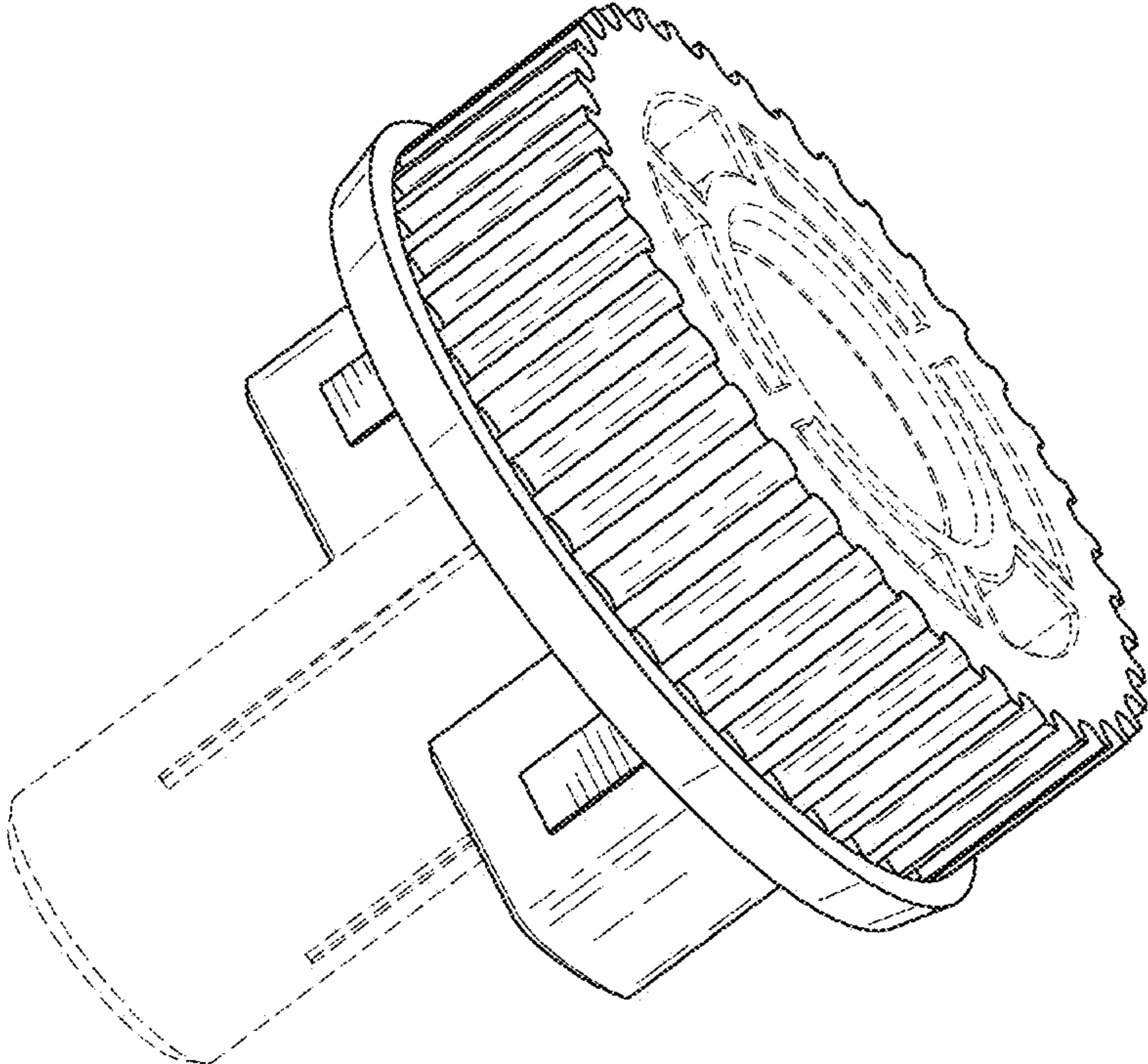


FIG. 1

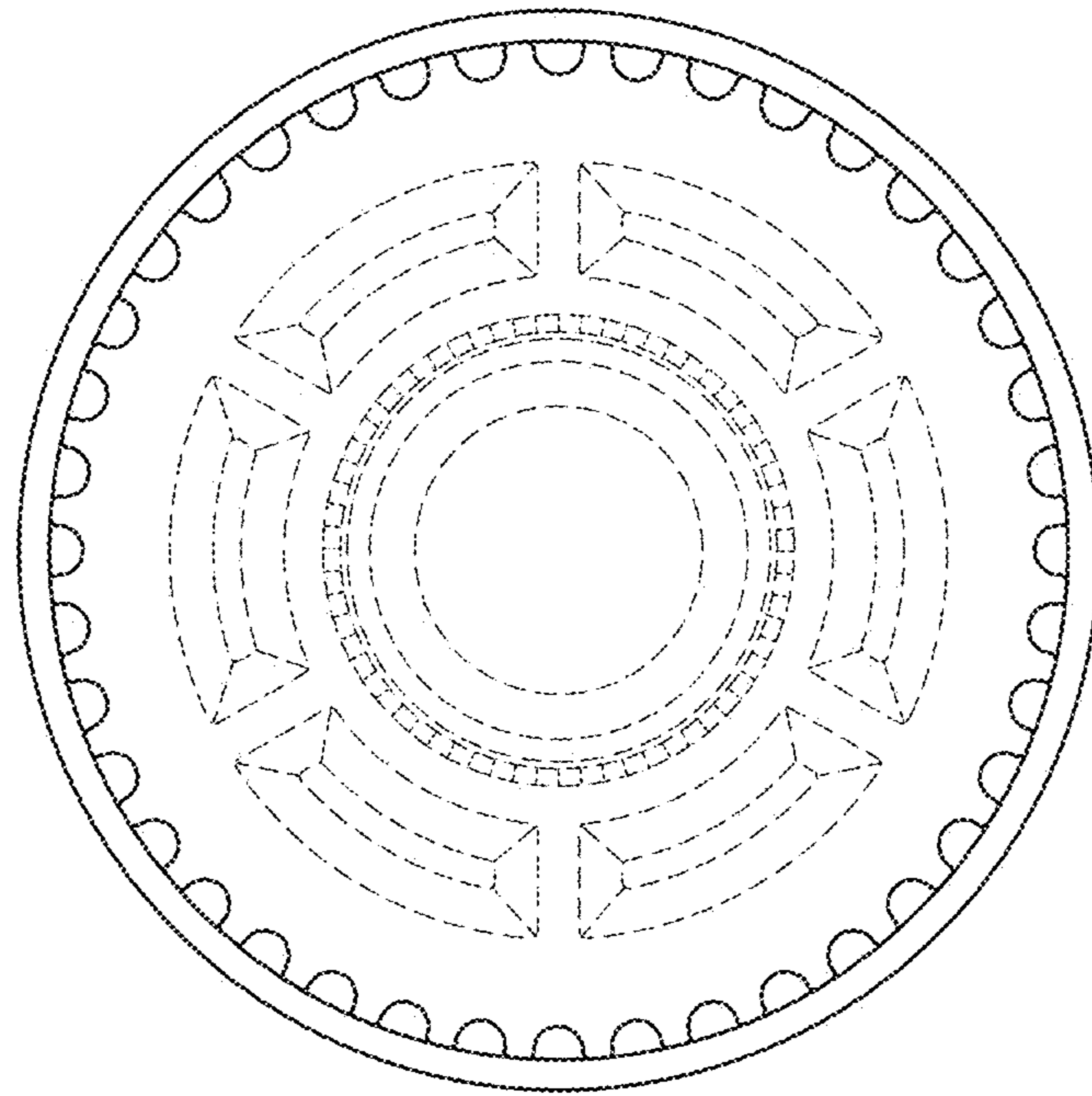


FIG. 2

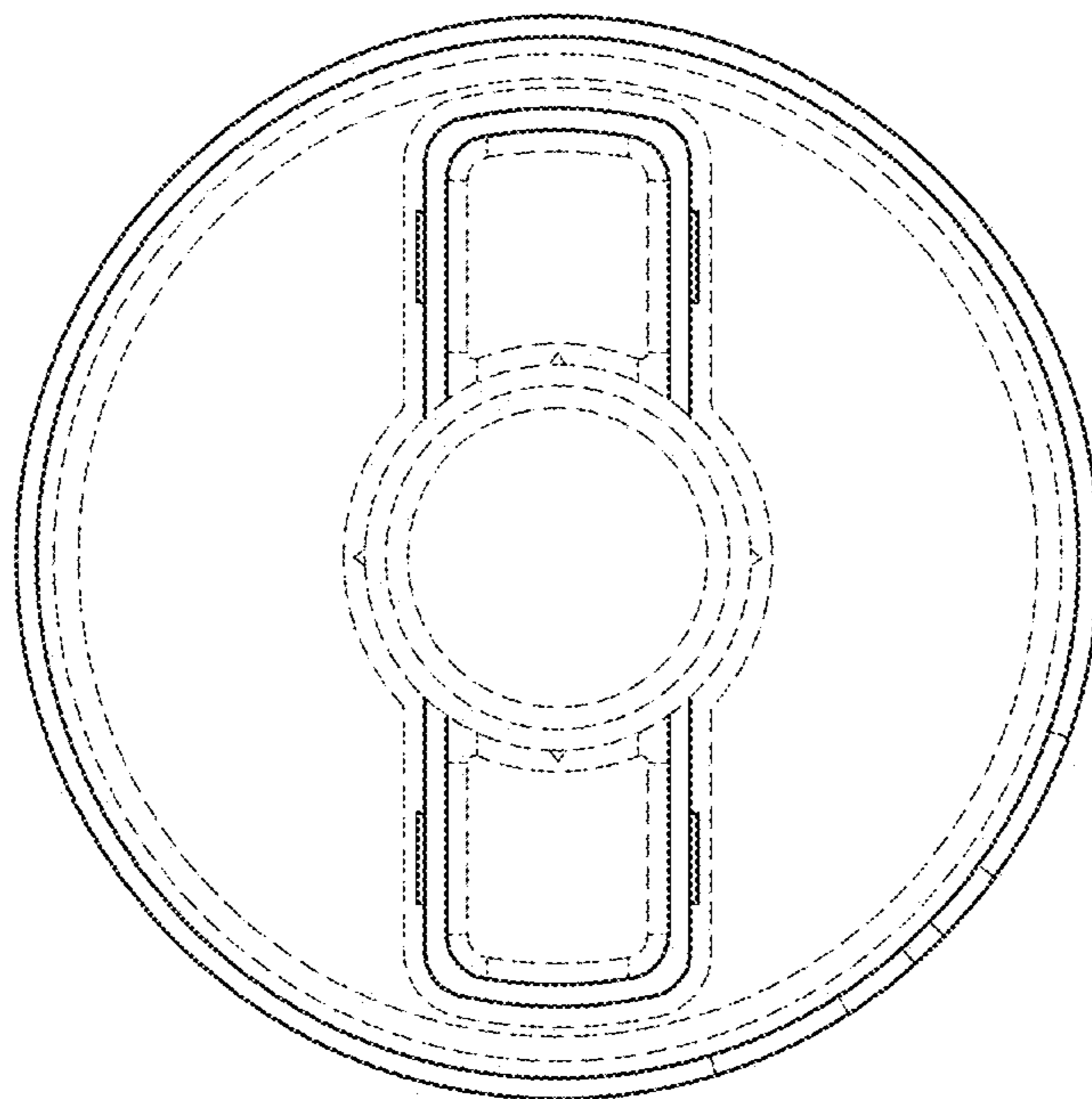


FIG. 3

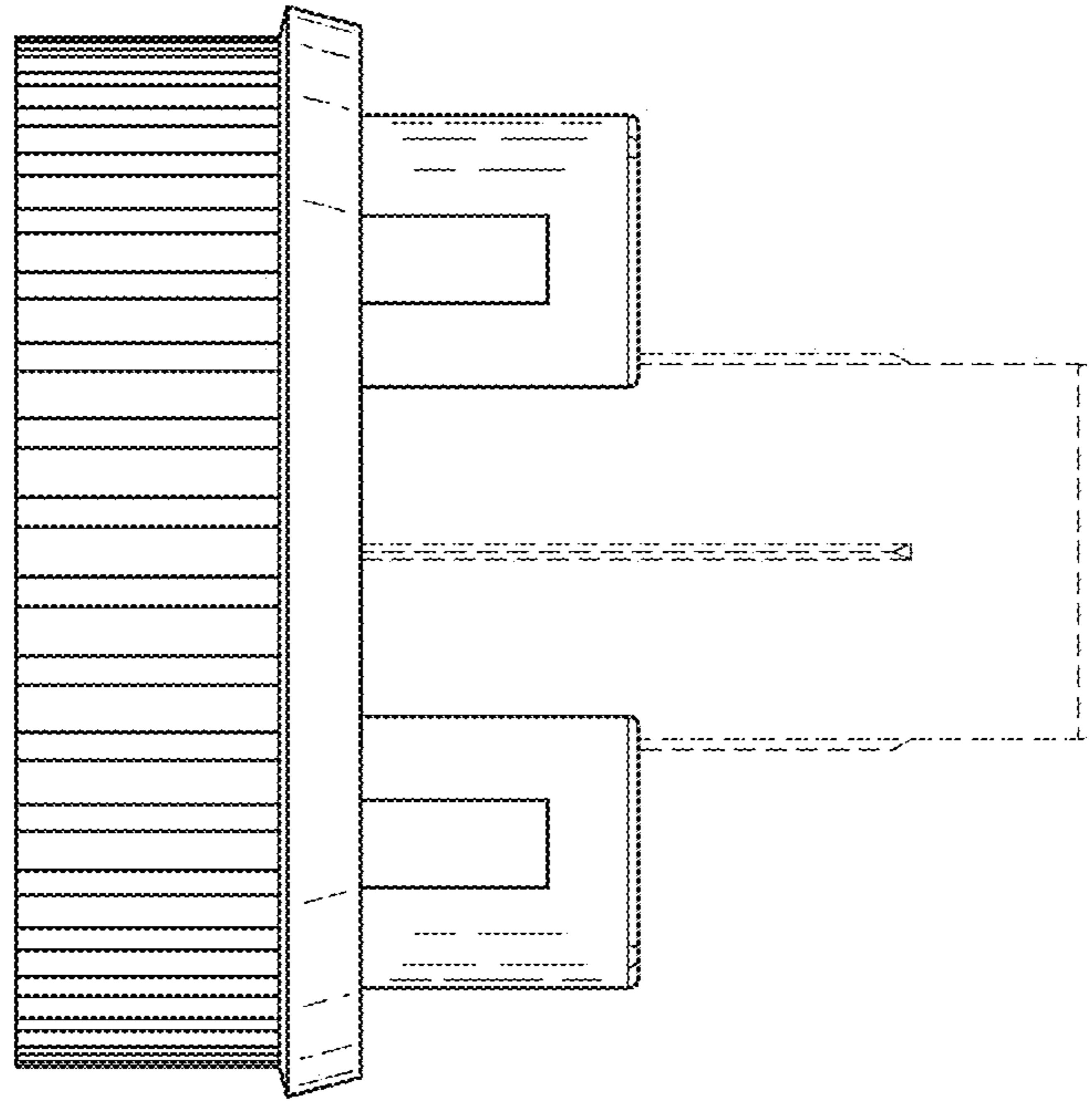


FIG. 4

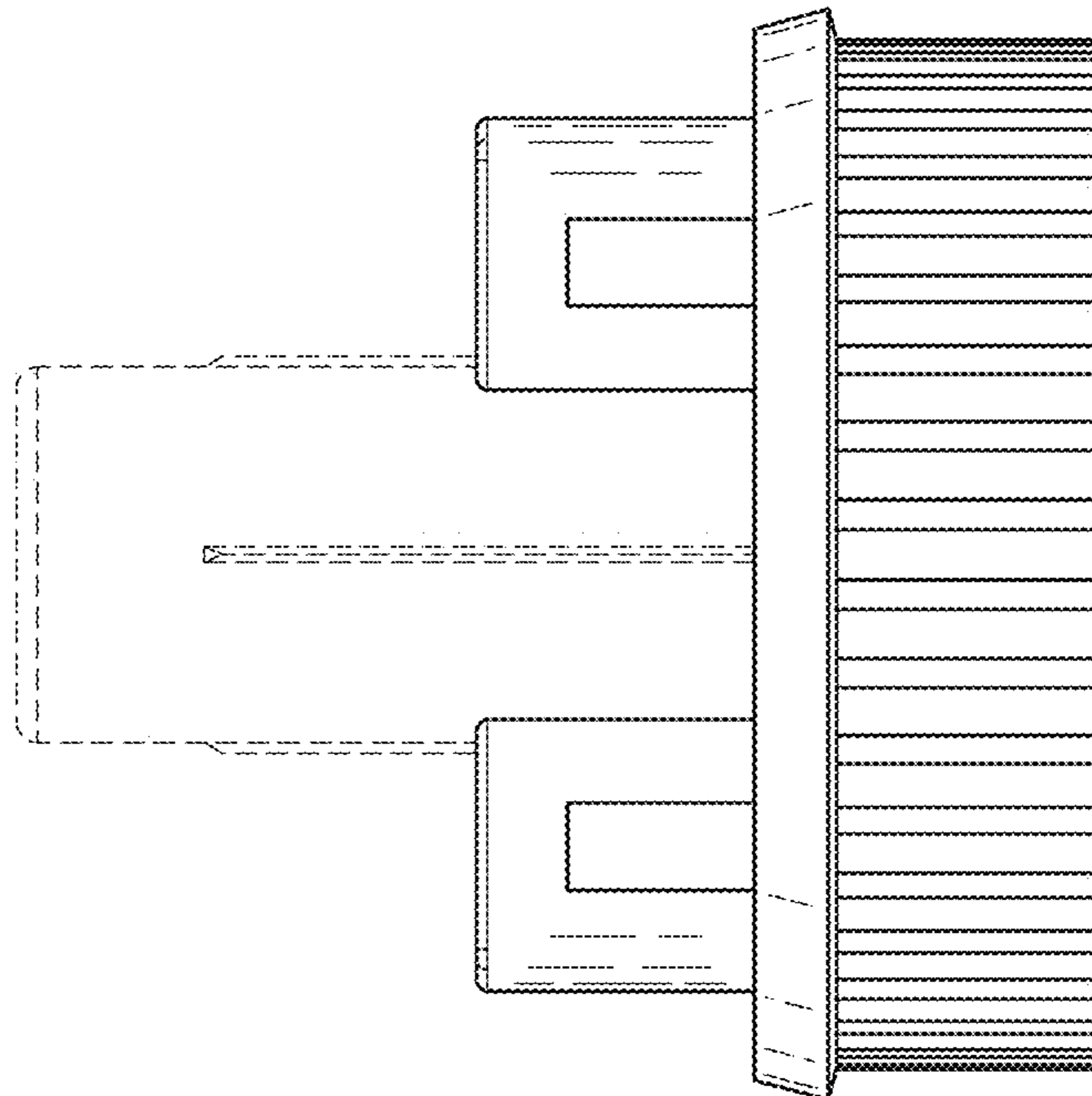


FIG. 5

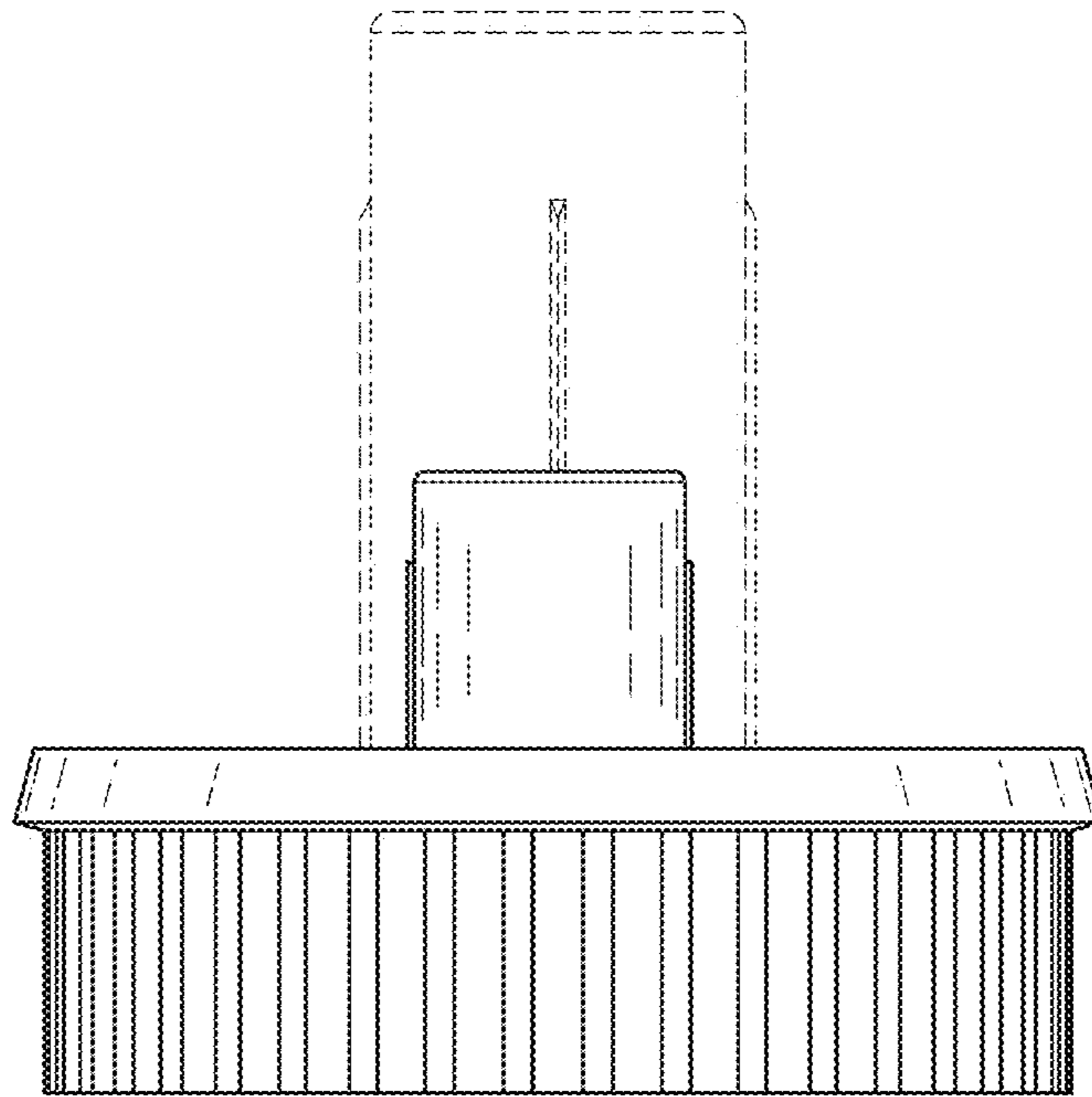


FIG. 6

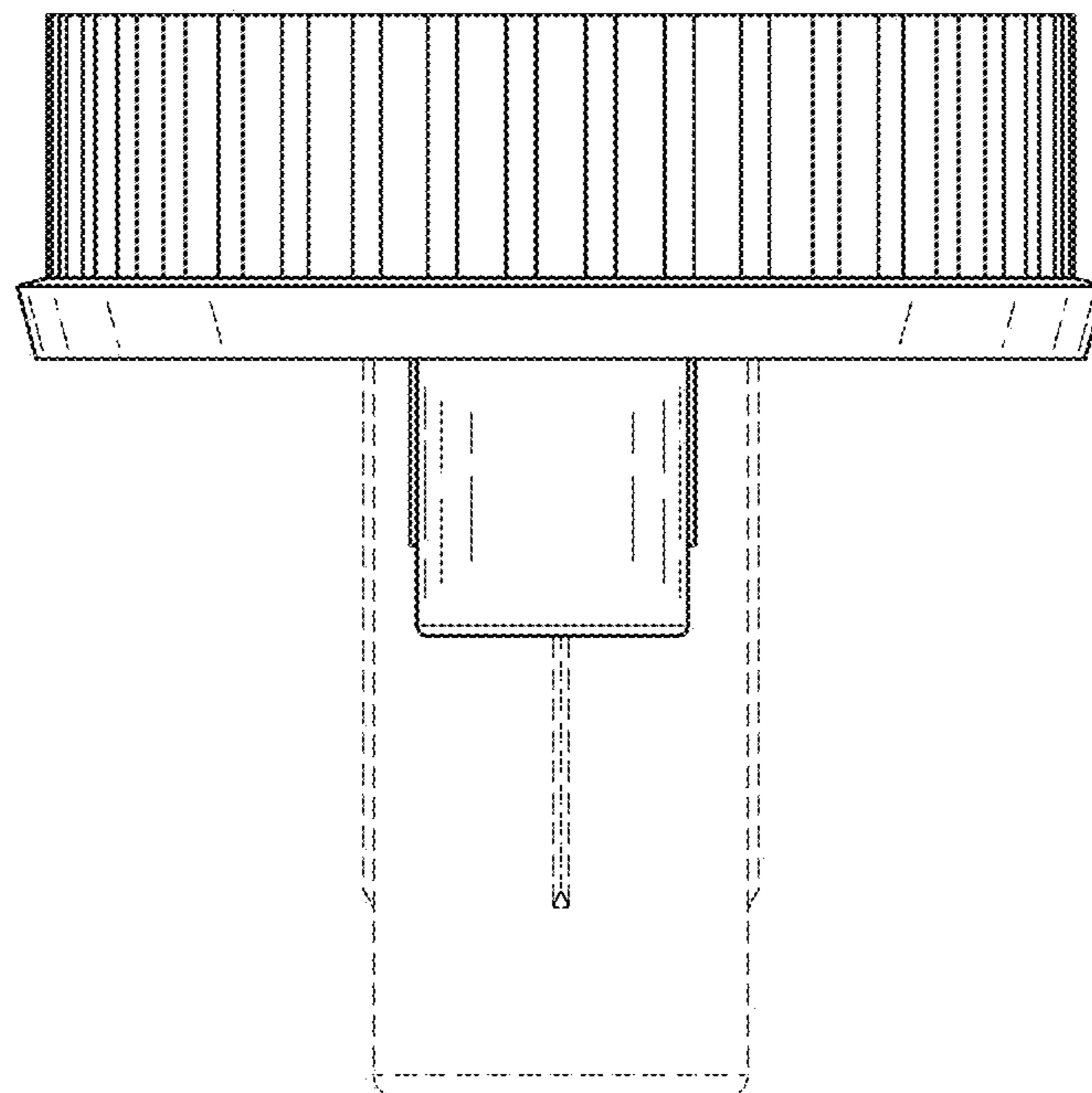


FIG. 7