



US00D757523S

(12) **United States Design Patent**
Kim et al.

(10) **Patent No.:** **US D757,523 S**
(45) **Date of Patent:** **** May 31, 2016**

(54) **BRACKET FOR FIXING COMMUNICATION EQUIPMENT**

(56) **References Cited**

U.S. PATENT DOCUMENTS

(71) Applicant: **Samsung Electronics Co., Ltd.**,
Suwon-si, Gyeonggi-do (KR)
(72) Inventors: **Kyu-Cheol Kim**, Seoul (KR); **Gi-Chun Nam**, Suwon-si (KR); **Eun-Uae Lee**, Seoul (KR); **Joon-Taek Lee**, Yonginsu (KR); **Tai-Hyung Ju**, Seoul (KR); **Dong-Ju Choi**, Suwon-si (KR)

D342,662 S * 12/1993 Lavin, Sr. D8/354
D422,887 S * 4/2000 Potter D8/356
D423,330 S * 4/2000 Potter D8/356
D587,100 S * 2/2009 Allsopp D8/356
D595,122 S * 6/2009 Clarke D8/368
D729,042 S * 5/2015 Guzzoni D8/349
D743,541 S * 11/2015 Serafini D24/128

* cited by examiner

Primary Examiner — Cynthia Underwood
(74) *Attorney, Agent, or Firm* — Cantor Colburn LLP

(73) Assignee: **SAMSUNG ELECTRONICS CO., LTD.** (KR)

(57) **CLAIM**
The ornamental design for a bracket for fixing communication equipment, as shown and described.

(**) Term: **14 Years**

DESCRIPTION

(21) Appl. No.: **29/516,489**

FIG. 1 is a perspective view of a bracket for fixing communication equipment, showing our new design;
FIG. 2 is a front view thereof;
FIG. 3 is a rear view thereof;
FIG. 4 is a side view thereof;
FIG. 5 is another side view thereof;
FIG. 6 is a top view thereof;
FIG. 7 is a bottom view thereof; and,
FIG. 8 is another perspective view thereof shown reduced in scale and in an environment of use.
The broken lines are for environmental purpose only and form no part of the claimed design.
The dot-dash broken lines in the figures represent an unclaimed boundary line and form no part of the claimed design.

(22) Filed: **Feb. 3, 2015**

(30) **Foreign Application Priority Data**

Aug. 11, 2014 (KR) 30-2014-0039005

(51) **LOC (10) Cl.** **08-05**

(52) **U.S. Cl.**
USPC **D8/356**

(58) **Field of Classification Search**
USPC D8/356, 354, 349
CPC H01R 13/518; A61B 6/0421
See application file for complete search history.

1 Claim, 6 Drawing Sheets

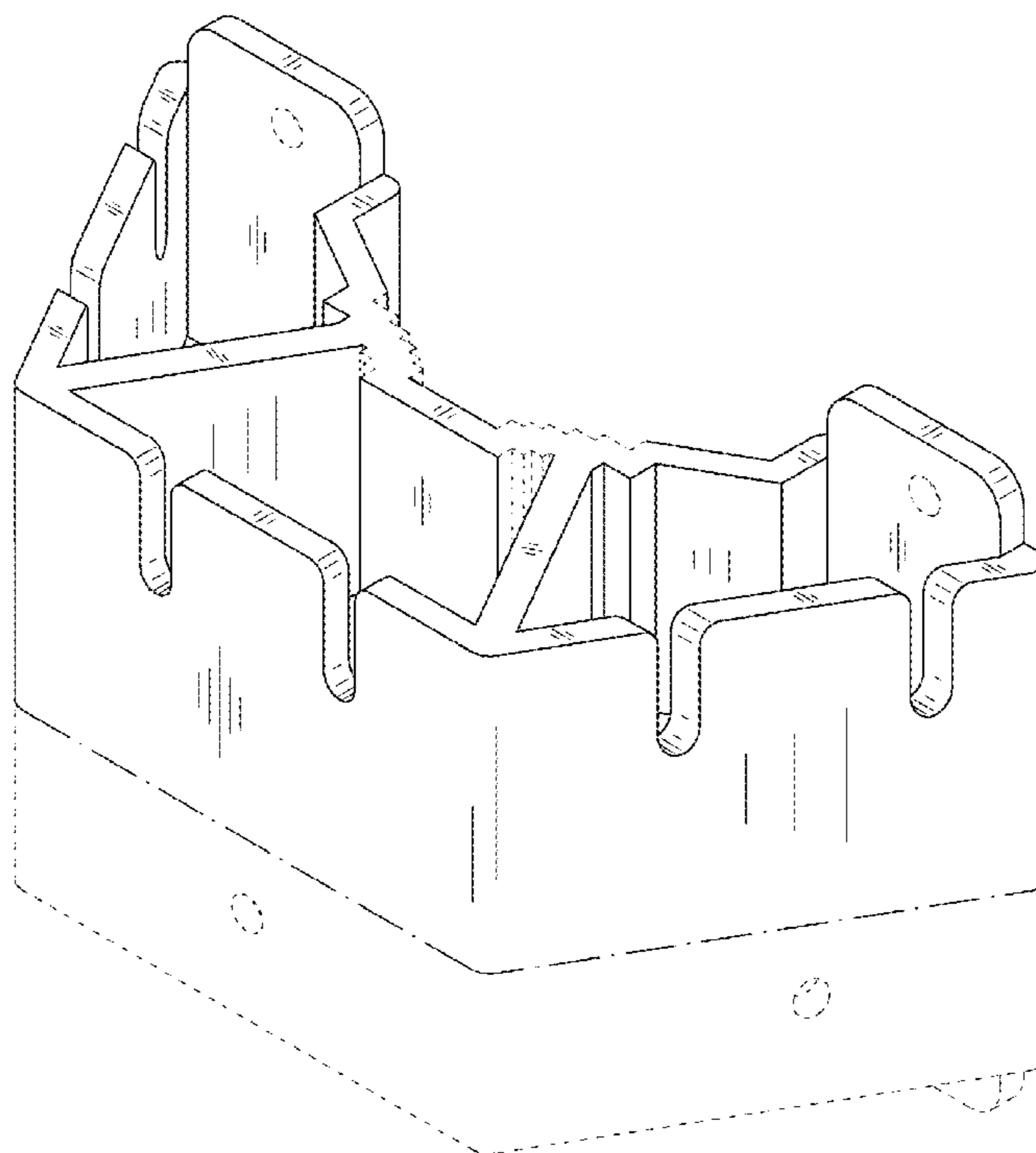


FIG. 1

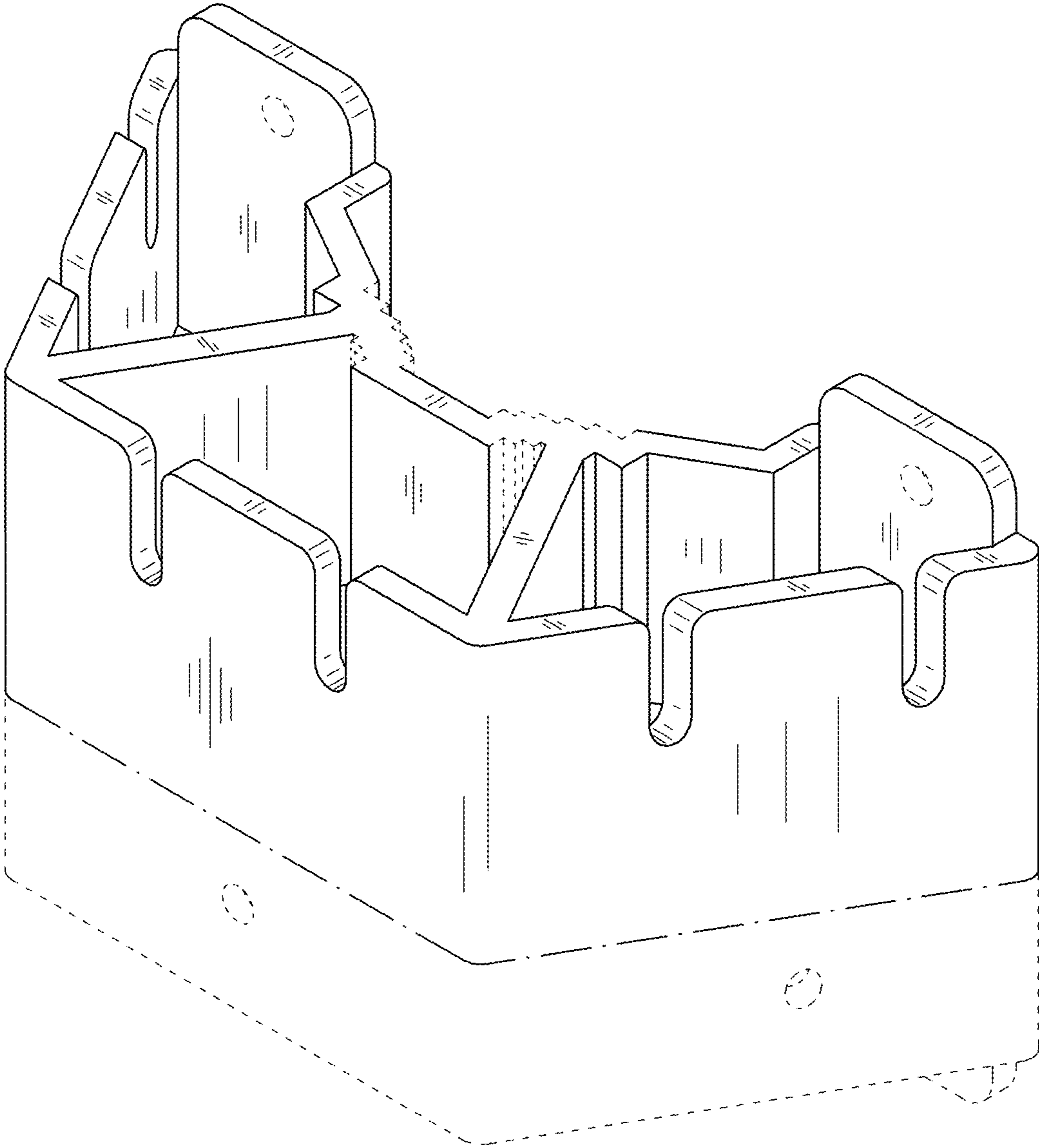


FIG.2

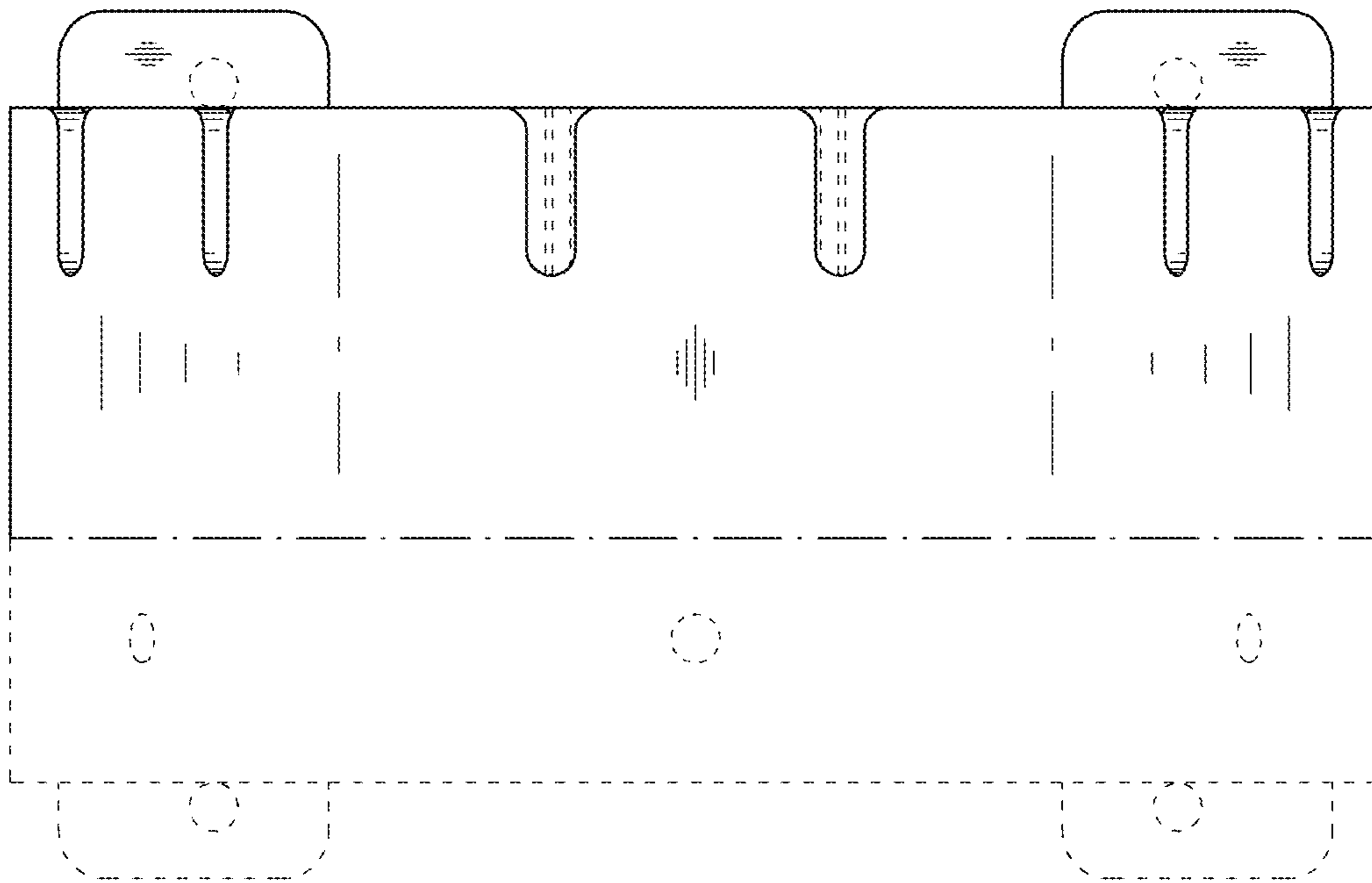


FIG. 3

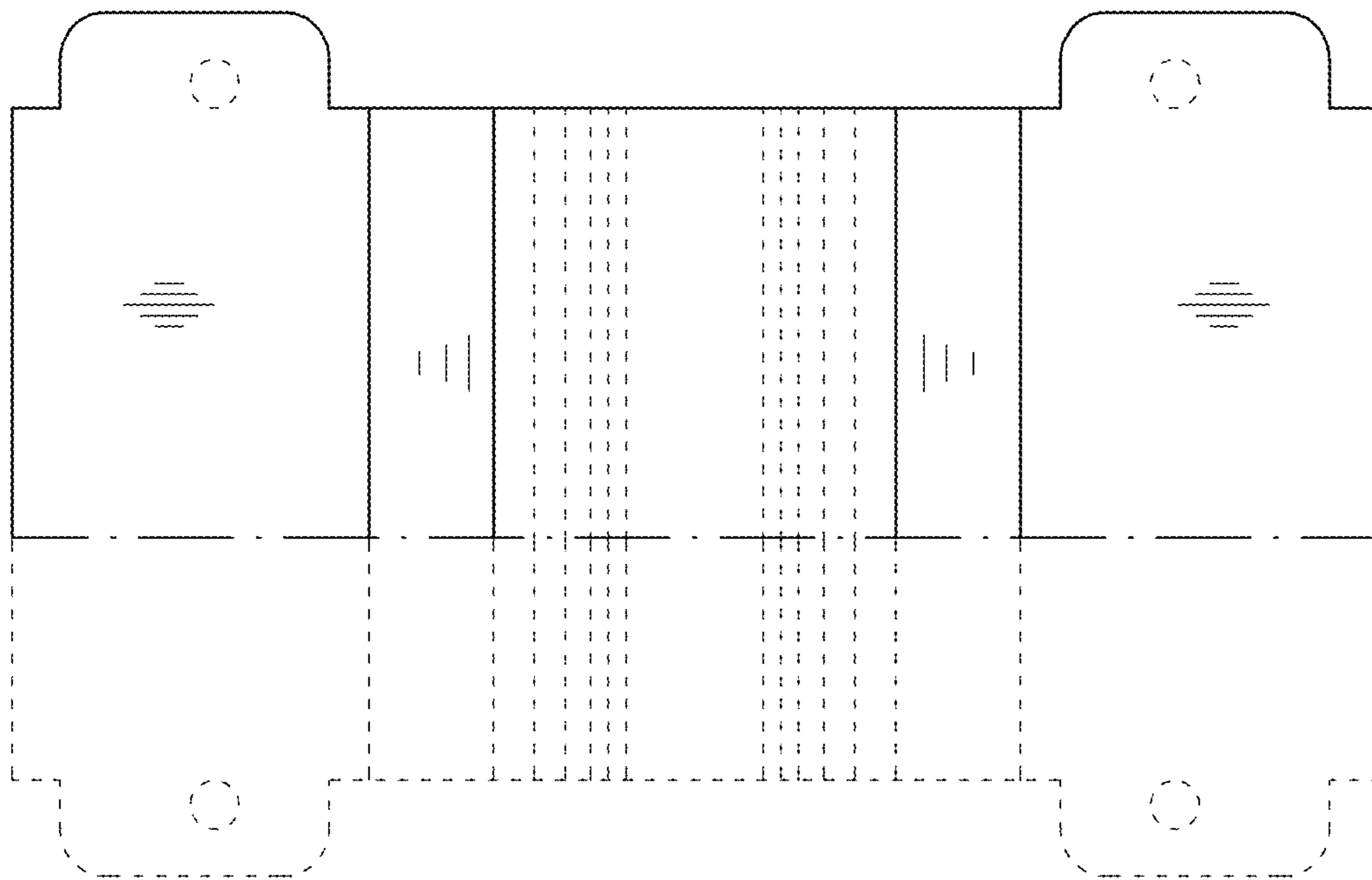


FIG. 4

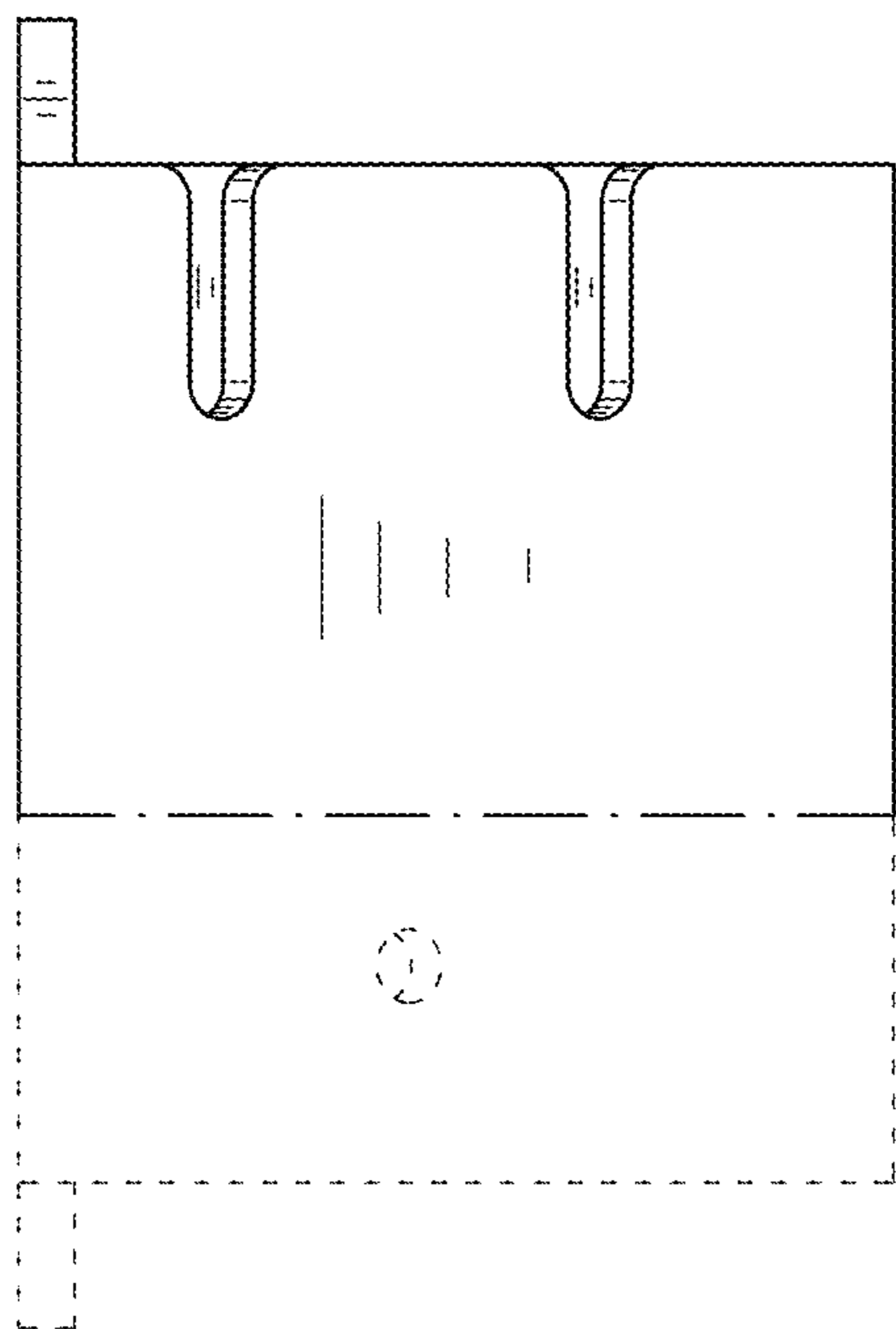


FIG. 5

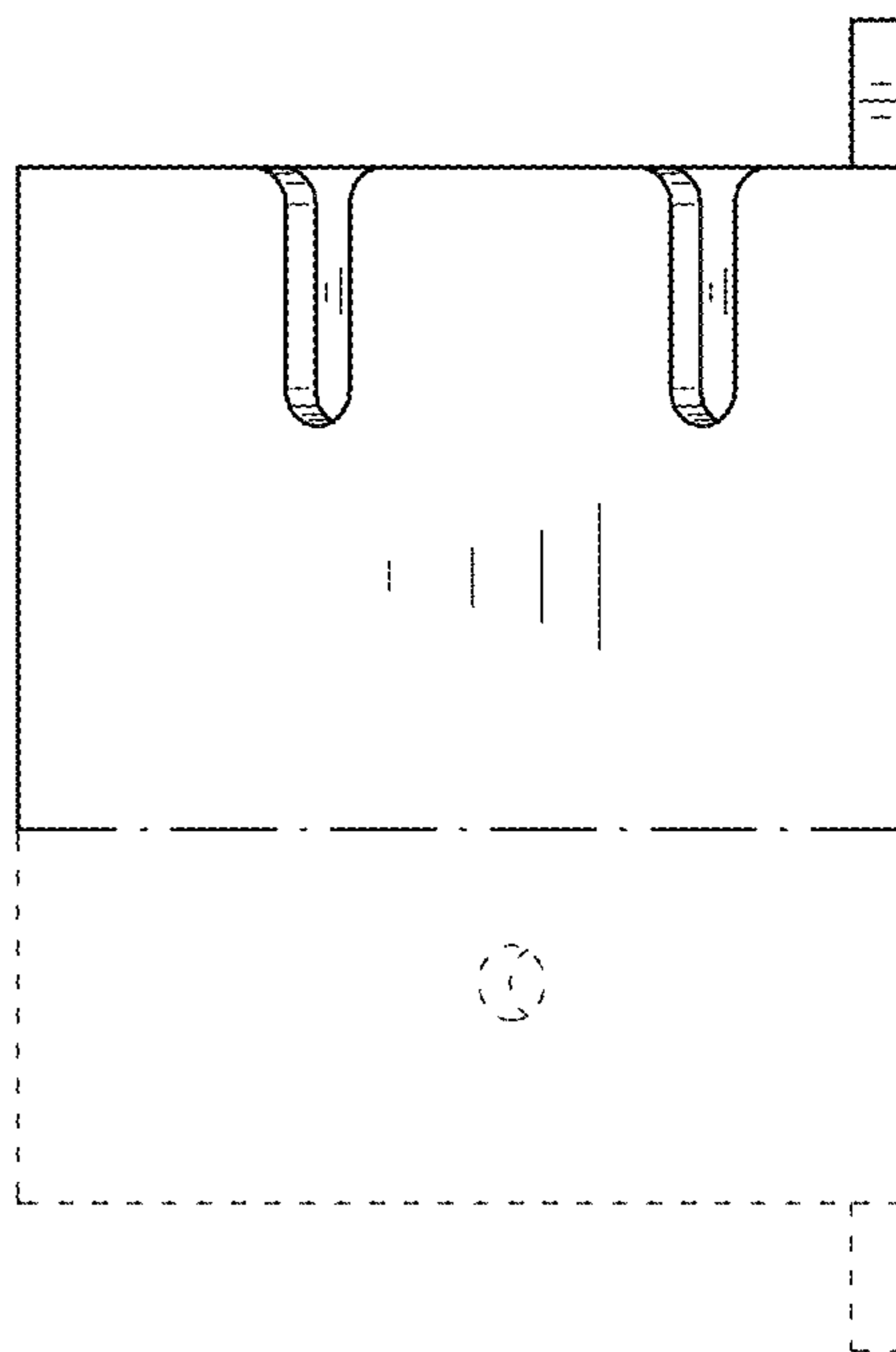


FIG. 6

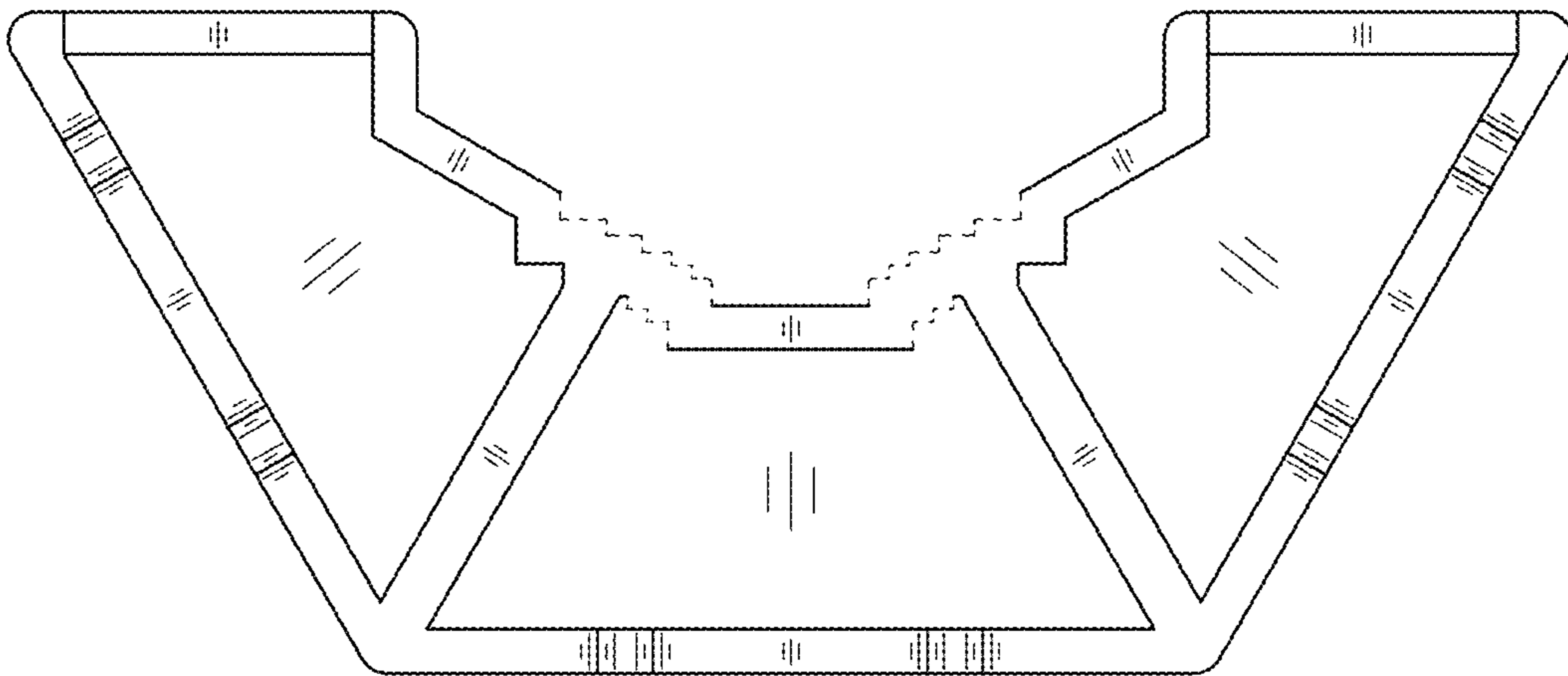


FIG. 7

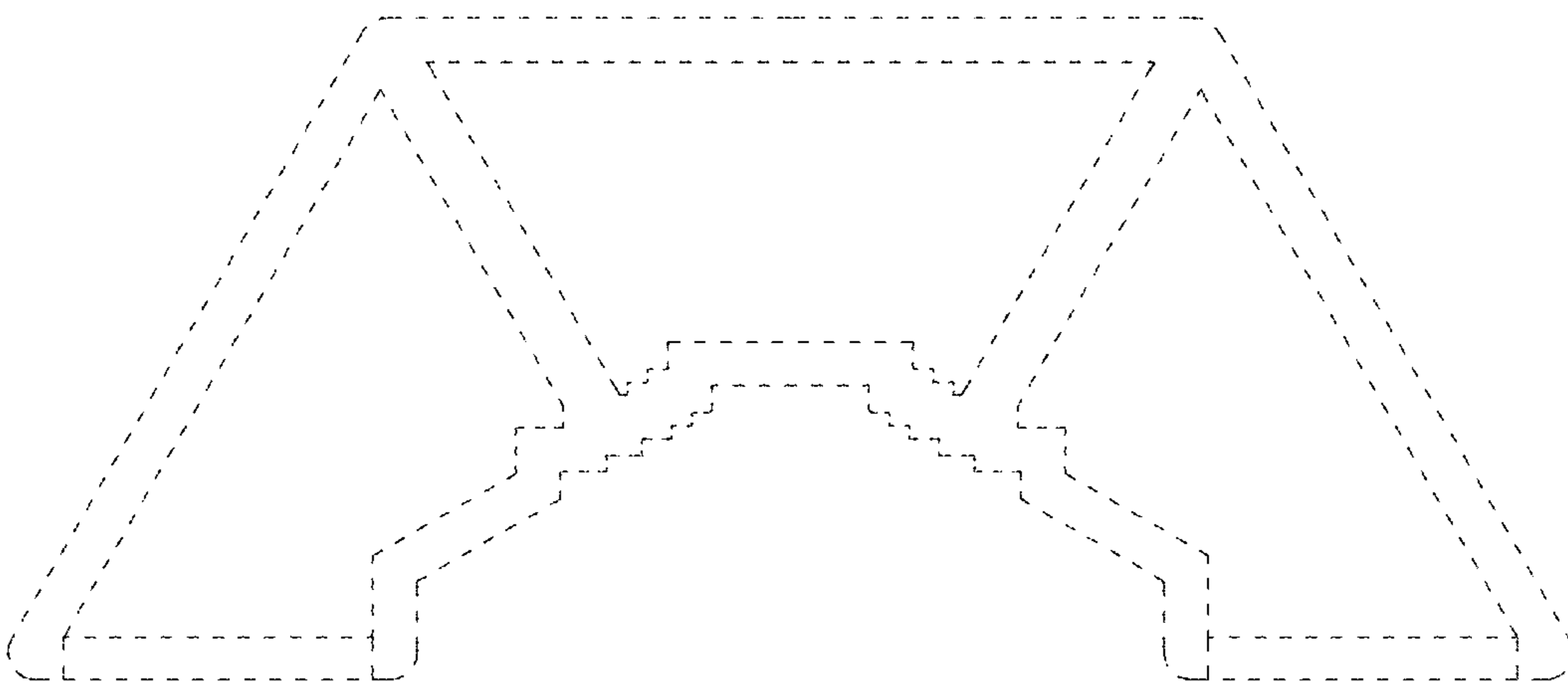


FIG. 8

