



US00D757521S

(12) **United States Design Patent**  
**Rosner**

(10) **Patent No.:** **US D757,521 S**  
(45) **Date of Patent:** **\*\* May 31, 2016**

(54) **JOIST SUPPORT**  
(71) Applicant: **Oscar Rosner**, Matawan, NJ (US)  
(72) Inventor: **Oscar Rosner**, Matawan, NJ (US)  
(\*\*) Term: **14 Years**  
(21) Appl. No.: **29/503,794**  
(22) Filed: **Sep. 30, 2014**  
(51) **LOC (10) Cl.** ..... **08-05**  
(52) **U.S. Cl.**  
USPC ..... **D8/354**  
(58) **Field of Classification Search**  
USPC ..... D8/307, 310, 313, 316, 317, 321, 322,  
D8/349, 354, 355, 356, 380; D13/155,  
D13/102, 118, 154, 184, 199; D21/484,  
D21/500, 504; D25/119, 123, 124, 125  
CPC ..... E04B 5/14; E04B 2001/2448; E04B  
2001/2469; E04B 2001/2684; E04B 5/29;  
E04C 2003/0473; E04C 3/07; E04C 3/09;  
E04C 2003/026; E04C 3/02; E04C 3/065;  
Y10T 403/4605

See application file for complete search history.

(56) **References Cited**

**U.S. PATENT DOCUMENTS**

D157,994 S 4/1950 Palmer  
2,733,786 A 2/1956 Drake  
4,056,908 A 11/1977 McManus et al.  
D357,399 S \* 4/1995 Miller ..... D8/349  
5,519,977 A \* 5/1996 Callahan ..... E04B 5/48  
52/712  
5,546,716 A \* 8/1996 Broxterman ..... E04B 5/12  
248/56  
5,687,538 A 11/1997 Frobosilo et al.  
5,927,036 A 7/1999 Matthews et al.  
D431,174 S \* 9/2000 Merideth ..... D8/354  
D437,772 S \* 2/2001 Erwin ..... D8/354  
6,256,958 B1 7/2001 Matthews  
6,301,854 B1 10/2001 Daudet et al.  
6,418,694 B1 7/2002 Daudet et al.  
D472,793 S \* 4/2003 Callahan ..... D8/349  
6,691,478 B2 2/2004 Daudet et al.  
6,761,005 B1 7/2004 Daudet et al.

6,769,562 B2 \* 8/2004 Schroeder ..... H02G 3/123  
174/50  
D540,233 S \* 4/2007 Harding ..... D12/196  
D561,561 S \* 2/2008 Wohlford ..... D8/354  
7,451,575 B2 11/2008 Hall et al.  
7,528,328 B2 \* 5/2009 Ball ..... H05K 9/0067  
174/355  
7,562,500 B2 7/2009 Siu  
7,975,446 B2 7/2011 Hull et al.  
D664,025 S \* 7/2012 Horn ..... D8/354  
8,407,966 B2 \* 4/2013 Strickland ..... B21D 47/01  
52/650.1  
D741,146 S \* 10/2015 Delrue ..... D14/447  
2002/0038533 A1 4/2002 Potter et al.  
2003/0014935 A1 1/2003 Bodnar  
2005/0144892 A1 \* 7/2005 Strickland ..... B21D 47/01  
52/837  
2006/0096229 A1 5/2006 Serpico et al.  
2006/0150548 A1 \* 7/2006 Bodnar ..... E04B 5/10  
52/262  
2010/0037551 A1 \* 2/2010 Bodnar ..... E04B 5/04  
52/634  
2010/0139201 A1 \* 6/2010 Strickland ..... B21D 47/01  
52/634  
2011/0162319 A1 \* 7/2011 Strickland ..... E04C 3/065  
52/831

\* cited by examiner

*Primary Examiner* — Rosemary K Tarcza

*Assistant Examiner* — Nathaniel D Buckner

(74) *Attorney, Agent, or Firm* — John D Ritchison;  
Ritchison Law Offices, PC

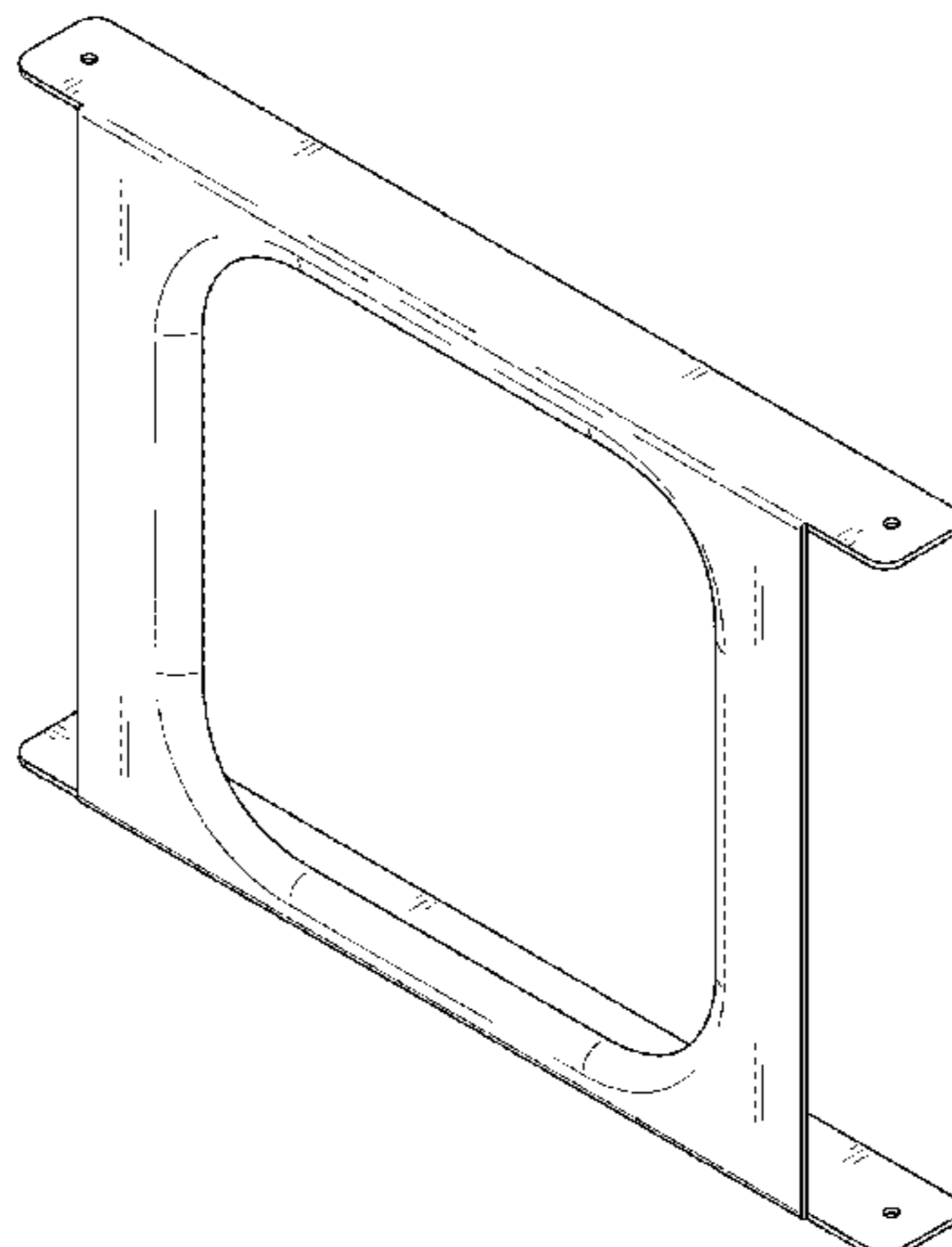
(57) **CLAIM**

I claim the ornamental design for a joist support, as shown and described.

**DESCRIPTION**

FIG. 1 is a perspective view of a joist support.  
FIG. 2 is a front elevation view of a joist support.  
FIG. 3 is a bottom view of a joist support.  
FIG. 4 is a side elevation view of a joist support.  
FIG. 5 is a rear elevation view of a joist support.  
FIG. 6 is a top view of a joist support; and,  
FIG. 7 is an opposed side elevation view of a joist support.

**1 Claim, 5 Drawing Sheets**



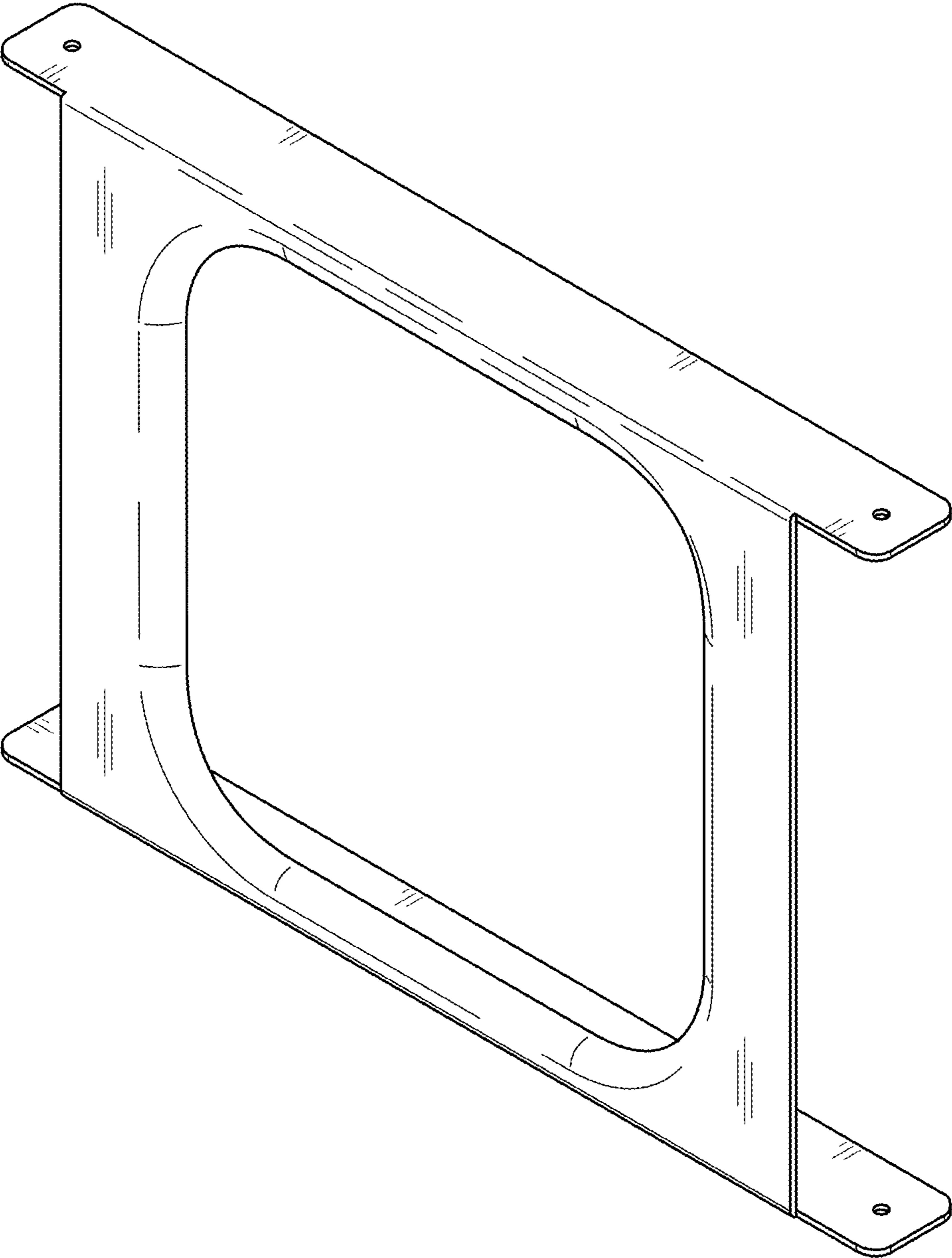


FIG. 1

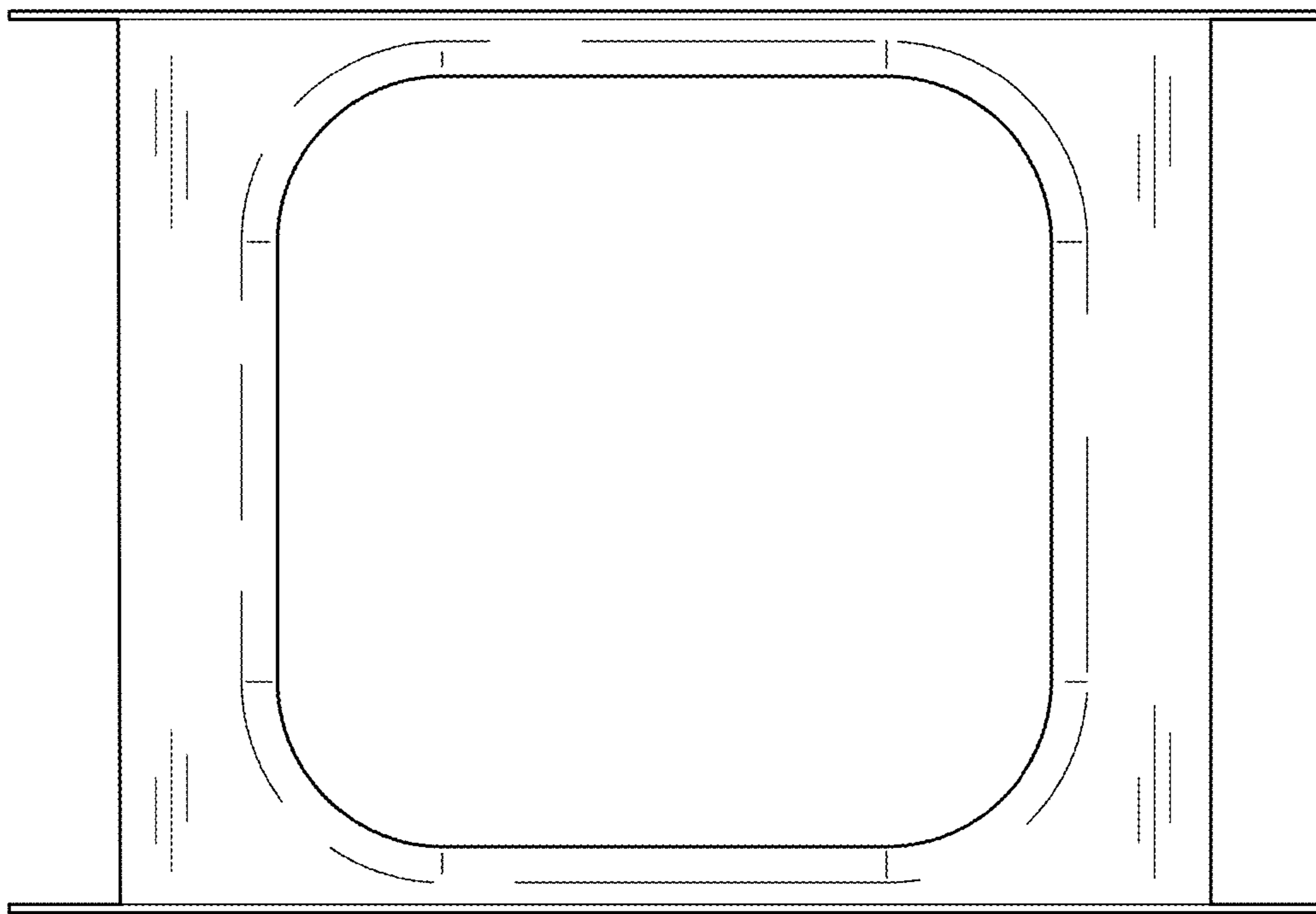


FIG. 2



FIG. 3

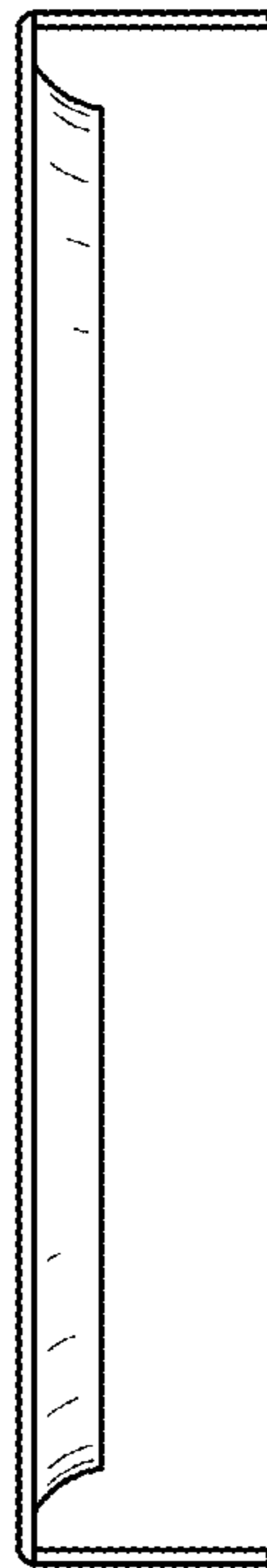


FIG. 4

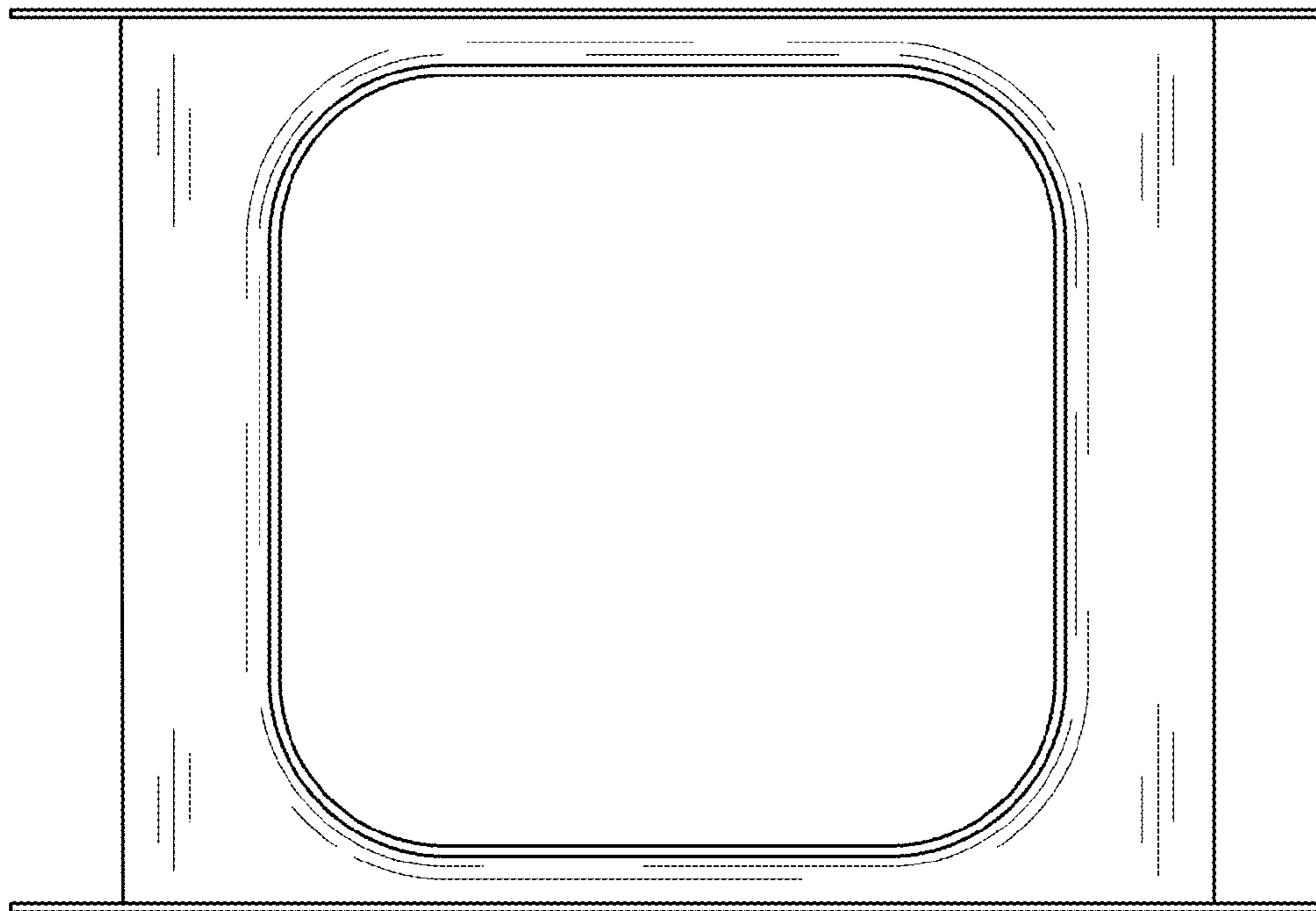


FIG. 5



FIG. 6

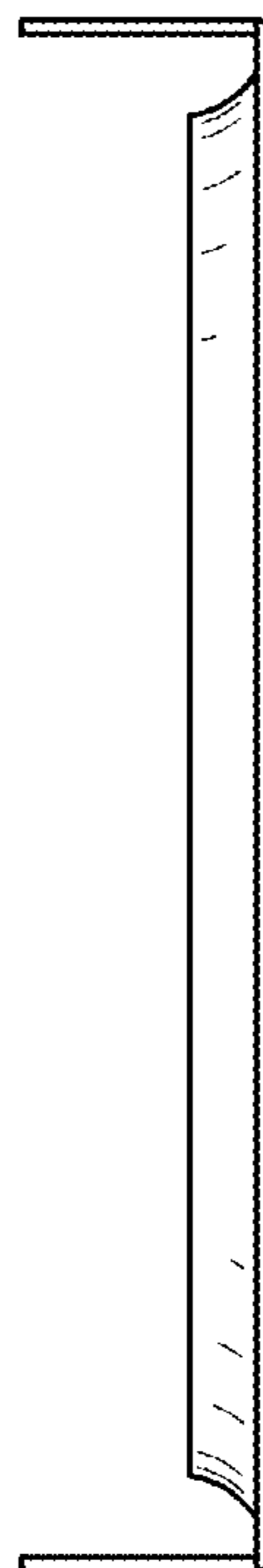


FIG. 7