



US00D757520S

(12) **United States Design Patent**
Pratt

(10) **Patent No.:** **US D757,520 S**
(45) **Date of Patent:** **** May 31, 2016**

(54) **SUPPORT**

(71) Applicant: **Railblaza Limited**, Lower Hutt (NZ)

(72) Inventor: **Ross Gregory Pratt**, Auckland (NZ)

(**) Term: **14 Years**

(21) Appl. No.: **29/500,447**

(22) Filed: **Aug. 25, 2014**

(30) **Foreign Application Priority Data**

Mar. 18, 2014 (NZ) 418616

(51) **LOC (10) Cl.** **08-05**

(52) **U.S. Cl.**

USPC **D8/349**; D8/354

(58) **Field of Classification Search**

USPC D8/349, 354, 355, 356, 363, 367,
D8/380-383, 394, 395, 399; D12/223,
D12/190, 191, 400, 415, 317; 43/21.2;
114/230.1, 230.11, 218; 135/20.1;
248/122.1, 276.1; 224/544-547;
403/97; D14/229; D3/10

CPC A01K 97/10; B63B 21/04; B63B 21/24

See application file for complete search history.

(56) **References Cited**

U.S. PATENT DOCUMENTS

3,149,811 A * 9/1964 Gorton A47B 61/003
211/162

3,232,263 A * 2/1966 O'Brien B63B 17/04
114/218

3,860,209 A * 1/1975 Strecker B60P 7/13
24/265 CD

4,018,458 A * 4/1977 Shumaker E02F 9/085
212/304

4,064,811 A * 12/1977 Copeland A01K 97/10
224/406

D257,321 S * 10/1980 Voorhees, Jr. D8/356

D284,164 S * 6/1986 Tseng D8/382

4,704,981 A * 11/1987 Agner B63H 16/06
114/218

5,519,959 A * 5/1996 Cross A01K 97/10
248/538

D462,256 S * 9/2002 Jaynes D12/160

D475,995 S * 6/2003 Hsieh D14/229

6,591,541 B1 * 7/2003 Cummings A01K 97/10
248/514

D512,627 S * 12/2005 Okada D8/331

7,555,993 B2 * 7/2009 Quinn B63B 21/04
114/218

D608,626 S * 1/2010 Camisasca D8/382

D658,482 S * 5/2012 Pratt D8/349

2003/0034649 A1 * 2/2003 Gault F16L 41/03
285/125.1

2007/0240358 A1 * 10/2007 Follmar A01K 97/10
43/21.2

2008/0087782 A1 * 4/2008 Sutherland B25H 3/006
248/231.9

* cited by examiner

Primary Examiner — Mark Goodwin

(57) **CLAIM**

I claim the ornamental design for a support, as shown and described.

DESCRIPTION

FIG. 1 is a perspective view of a support showing our new design;

FIG. 2 is an alternative perspective view of the support;

FIG. 3 is a top view of the support;

FIG. 4 is a bottom view of the support;

FIG. 5 is a side view of the support;

FIG. 6 is an opposite side view of the support;

FIG. 7 is a rear view of the support; and,

FIG. 8 is a front view of the support.

1 Claim, 8 Drawing Sheets

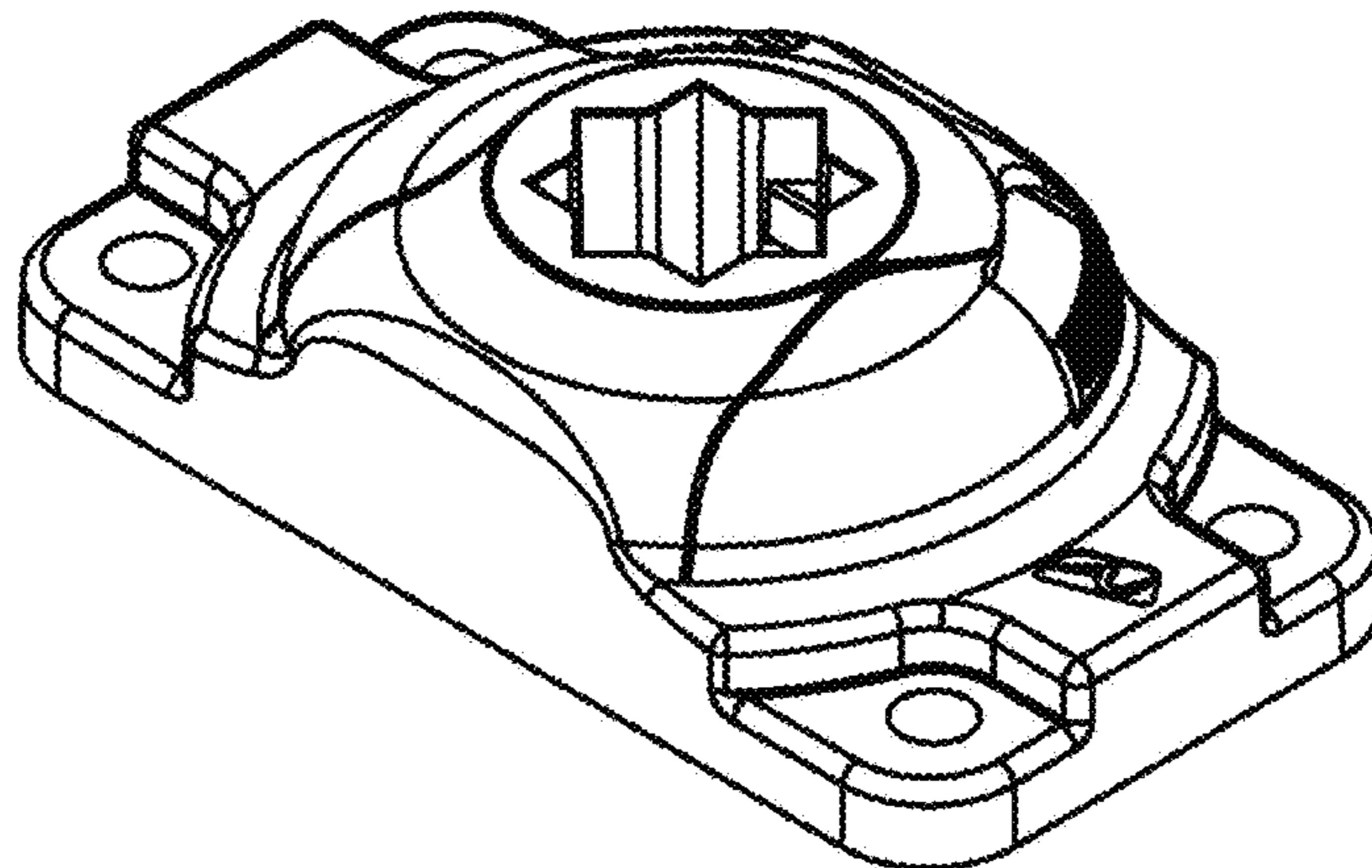


Figure 1

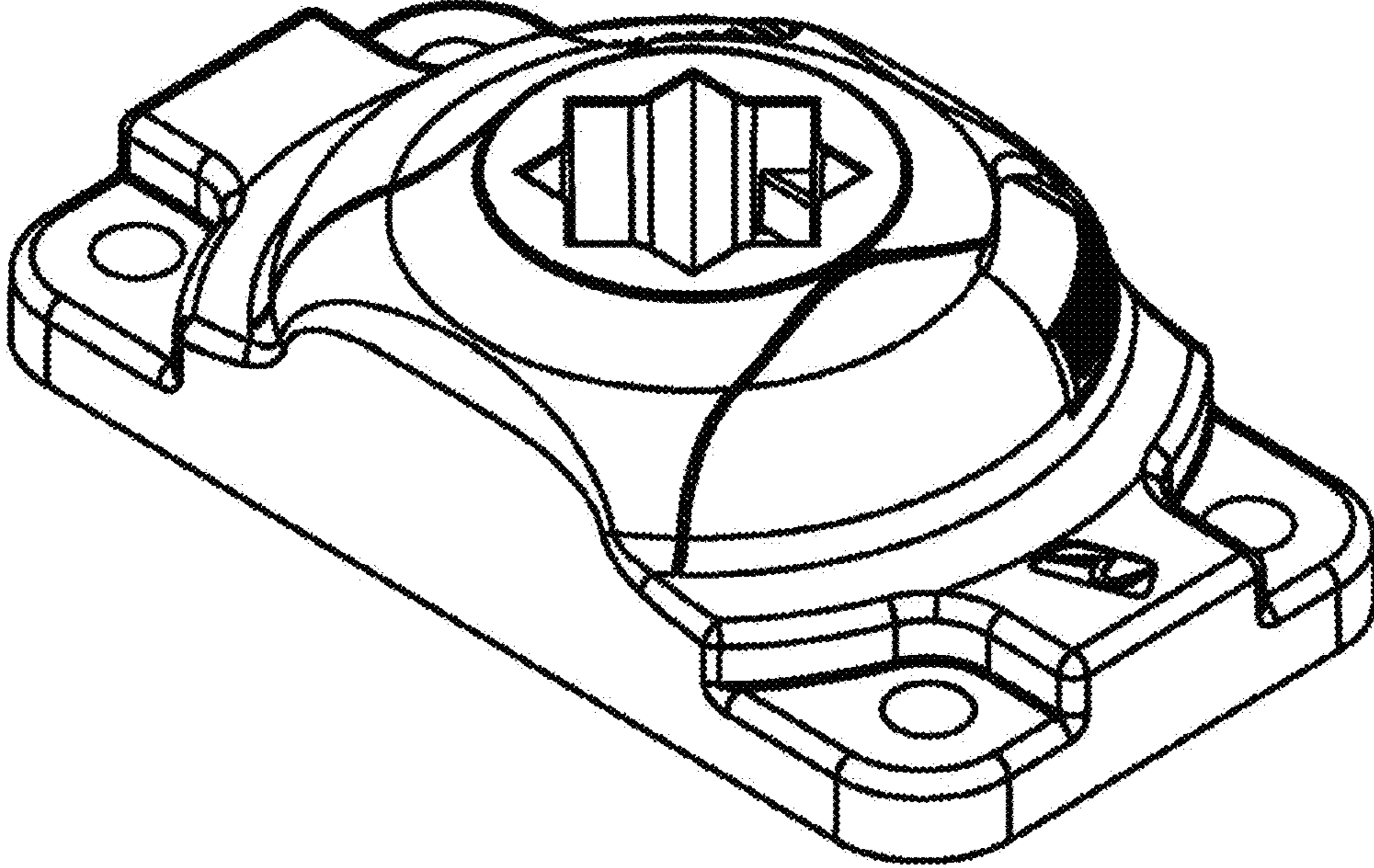


Figure 2

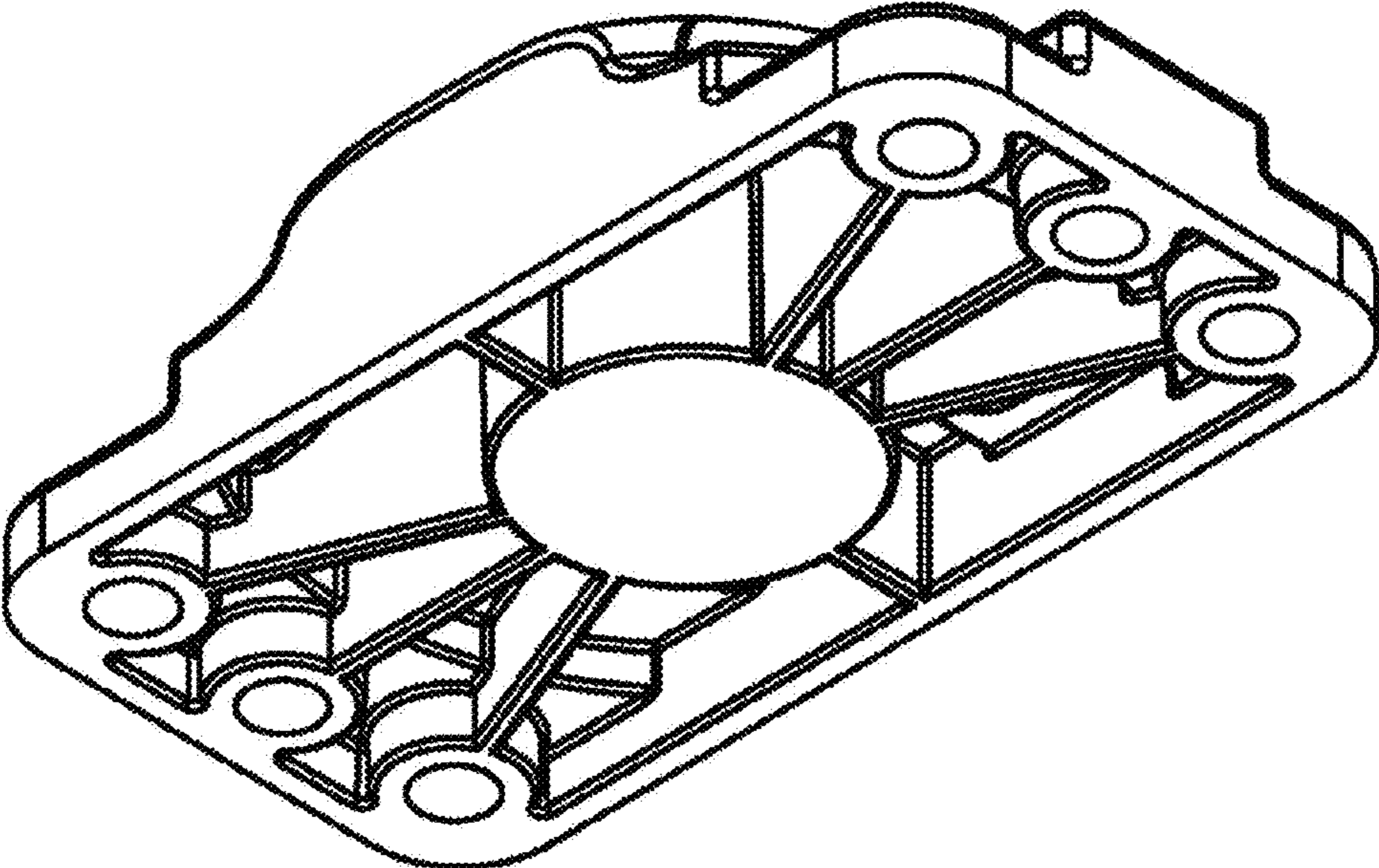


Figure 3

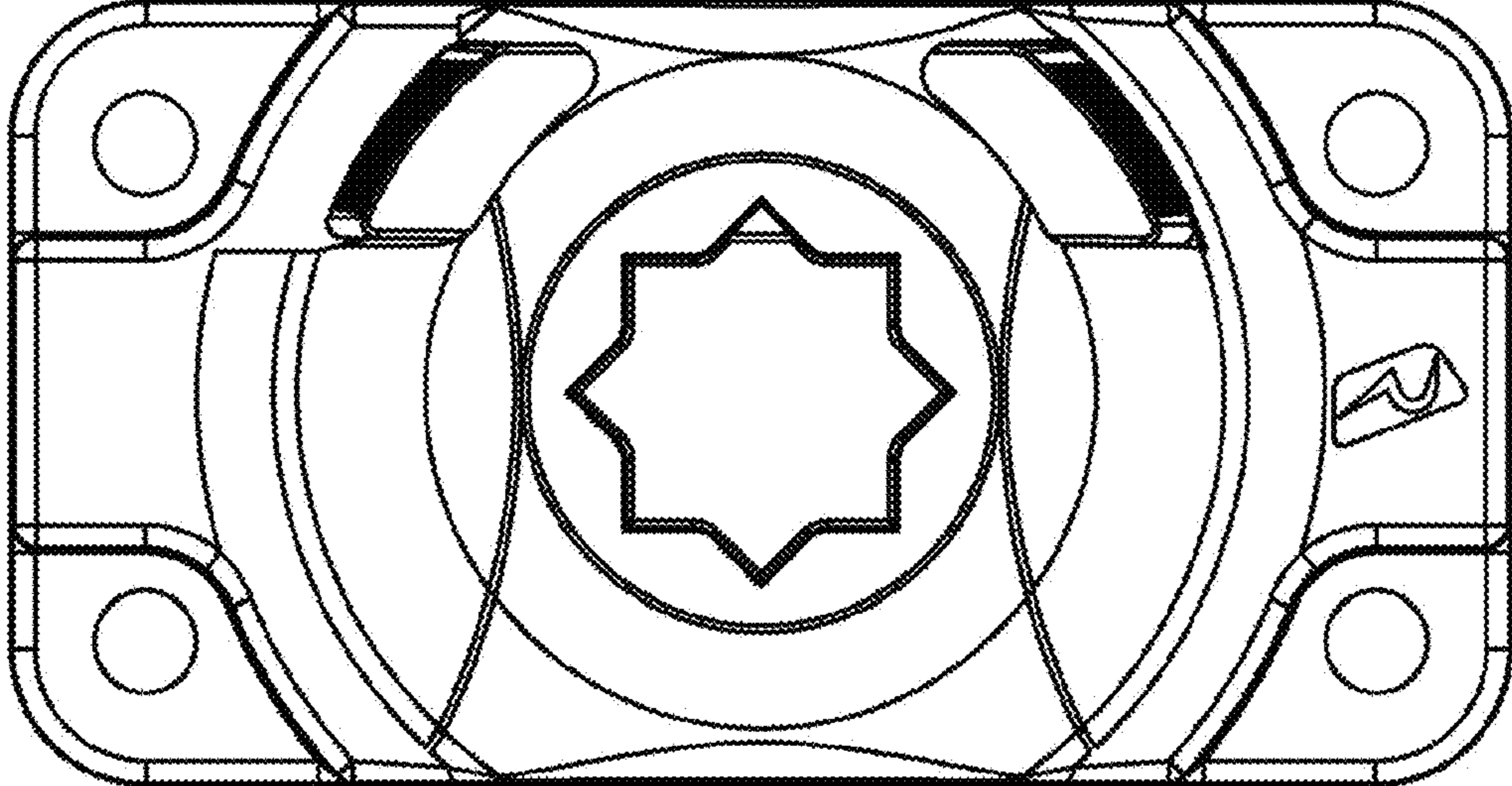


Figure 4

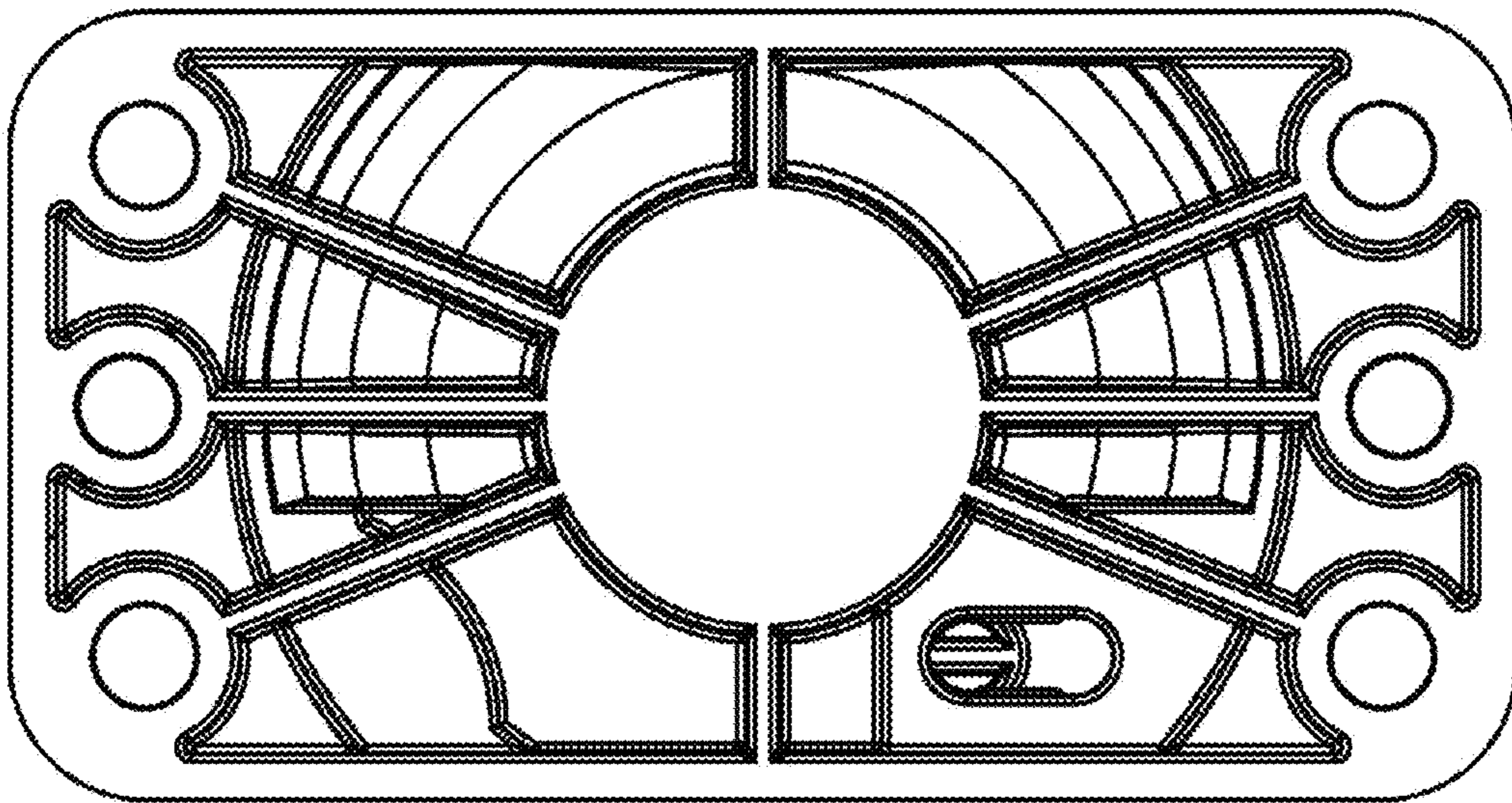


Figure 5

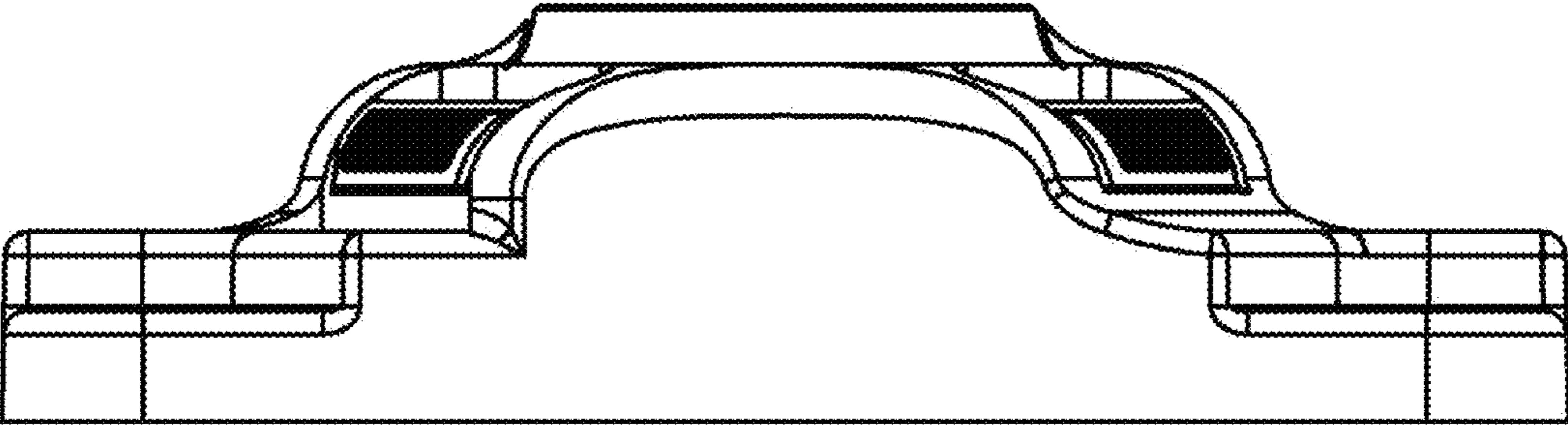


Figure 6

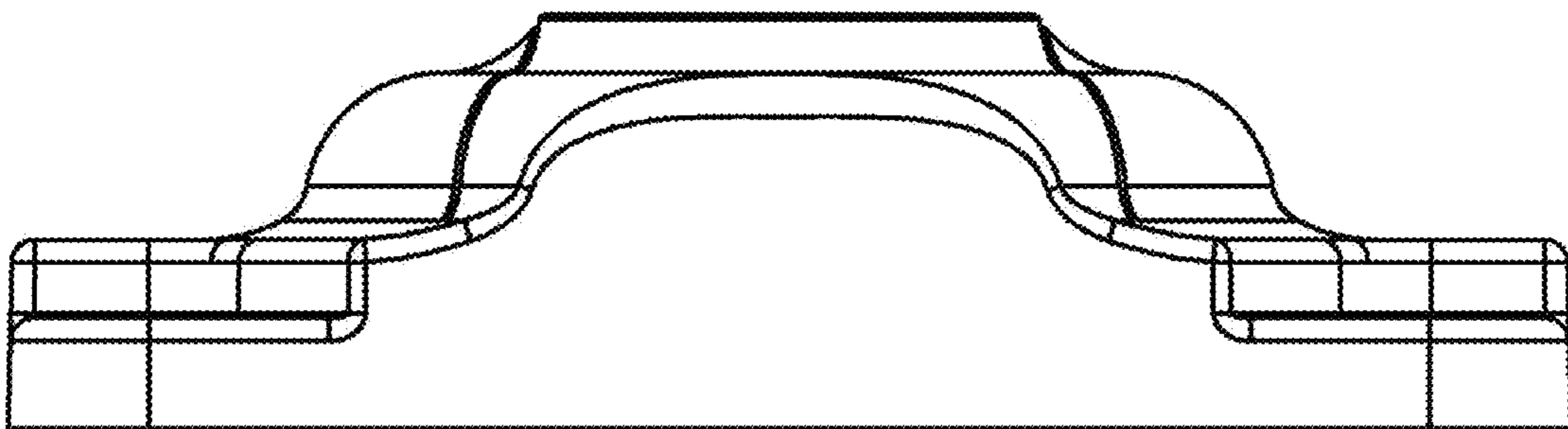


Figure 7

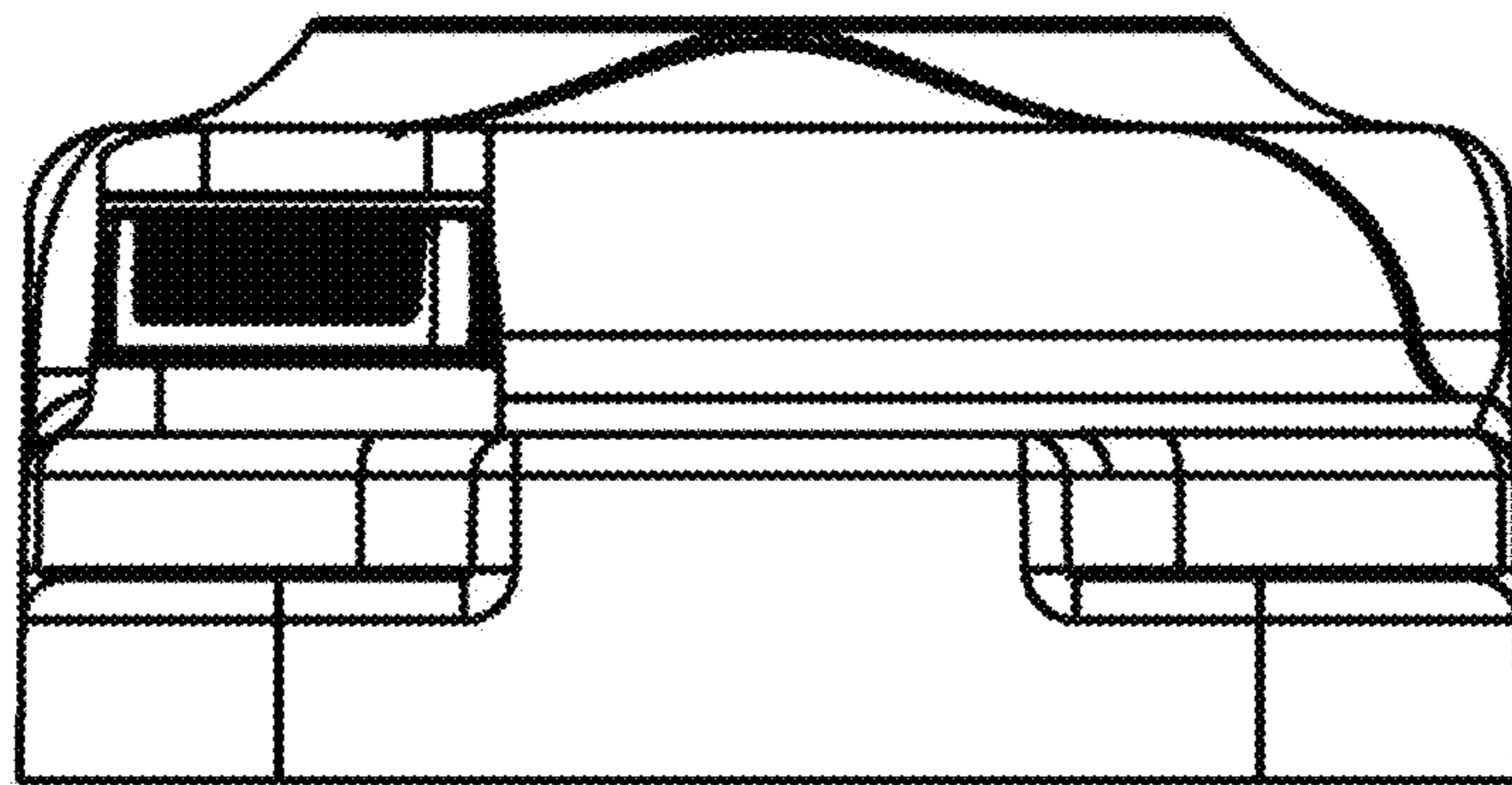


Figure 8

