



US00D757518S

(12) **United States Design Patent**  
**Najarro**

(10) **Patent No.:** **US D757,518 S**  
(45) **Date of Patent:** **\*\* May 31, 2016**

- (54) **SHACKLE**
- (71) Applicant: **Monster Hooks, Inc.**, San Jose, CA (US)
- (72) Inventor: **Marco A. Najarro**, San Jose, CA (US)
- (73) Assignee: **Monster Hooks, Inc.**, San Jose, CA (US)
- (\*\*) Term: **14 Years**
- (21) Appl. No.: **29/520,276**
- (22) Filed: **Mar. 12, 2015**
- (51) **LOC (10) Cl.** ..... **08-07**
- (52) **U.S. Cl.**  
USPC ..... **D8/339; D8/331**
- (58) **Field of Classification Search**  
USPC ..... D8/330, 331, 334, 333, 343; 70/14, 20,  
70/21, 22, 31, 51, 57.1, 233, 465, DIG. 3,  
70/DIG. 4; 292/246, 70, 288  
CPC ..... E02B 9/02; E02B 15/00; E02B 55/00;  
E02B 9/00; E02B 61/00; E02B 63/00; E02B  
71/00  
See application file for complete search history.

- D657,234 S \* 4/2012 Herman ..... D8/382
- 8,171,715 B2 \* 5/2012 Segura ..... B66C 1/10  
59/78
- 8,381,363 B2 \* 2/2013 Boeckman ..... F16G 15/06  
24/132 WL
- 8,629,359 B2 \* 1/2014 Hackett ..... H01H 9/283  
200/43.14
- D701,749 S \* 4/2014 Walchle ..... D8/356
- D707,529 S \* 6/2014 Fretz ..... D8/330
- D708,042 S \* 7/2014 Moreau ..... D8/331
- 8,801,326 B2 \* 8/2014 Coppes ..... E03F 1/003  
210/70.08
- D719,815 S \* 12/2014 Lin ..... D8/330
- 2002/0140206 A1 10/2002 Lloyd
- 2015/0048596 A1 2/2015 Najarro

\* cited by examiner

*Primary Examiner* — Prabhakar Deshmukh  
(74) *Attorney, Agent, or Firm* — Thomas Schneck

(57) **CLAIM**  
The ornamental design for a shackle, as shown and described.

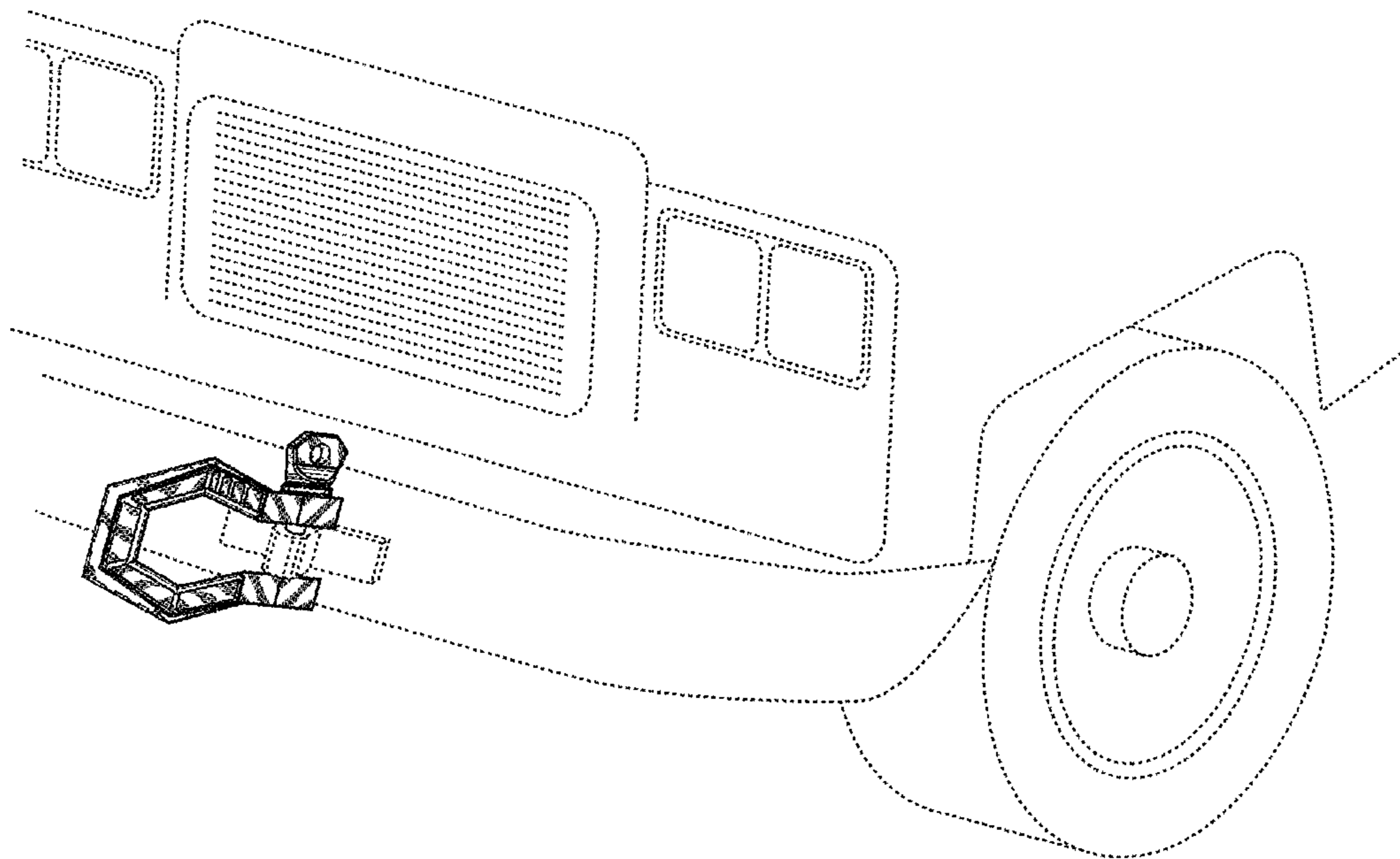
**DESCRIPTION**

FIG. 1 is a perspective view of a shackle showing my new design, shown in environmental use;  
FIG. 2 is an enlarged perspective view of a shackle;  
FIG. 3 is a front elevational view thereof;  
FIG. 4 is a rear elevational view thereof;  
FIG. 5 is a left side elevational view thereof;  
FIG. 6 is a right side elevational view thereof;  
FIG. 7 is a top plan view thereof; and,  
FIG. 8 is a bottom plan view thereof.  
The broken lines environment is for illustrative purpose and form no part of the claimed design.

**1 Claim, 8 Drawing Sheets**

(56) **References Cited**  
U.S. PATENT DOCUMENTS

- 1,650,767 A 11/1927 Odiome
- 5,433,547 A \* 7/1995 Hart ..... F16B 39/32  
403/154
- D433,617 S \* 11/2000 Gray, Jr. .... D8/356
- D587,093 S \* 2/2009 Fonk ..... D8/330
- 8,104,988 B2 \* 1/2012 Lunn ..... F16G 15/06  
403/154



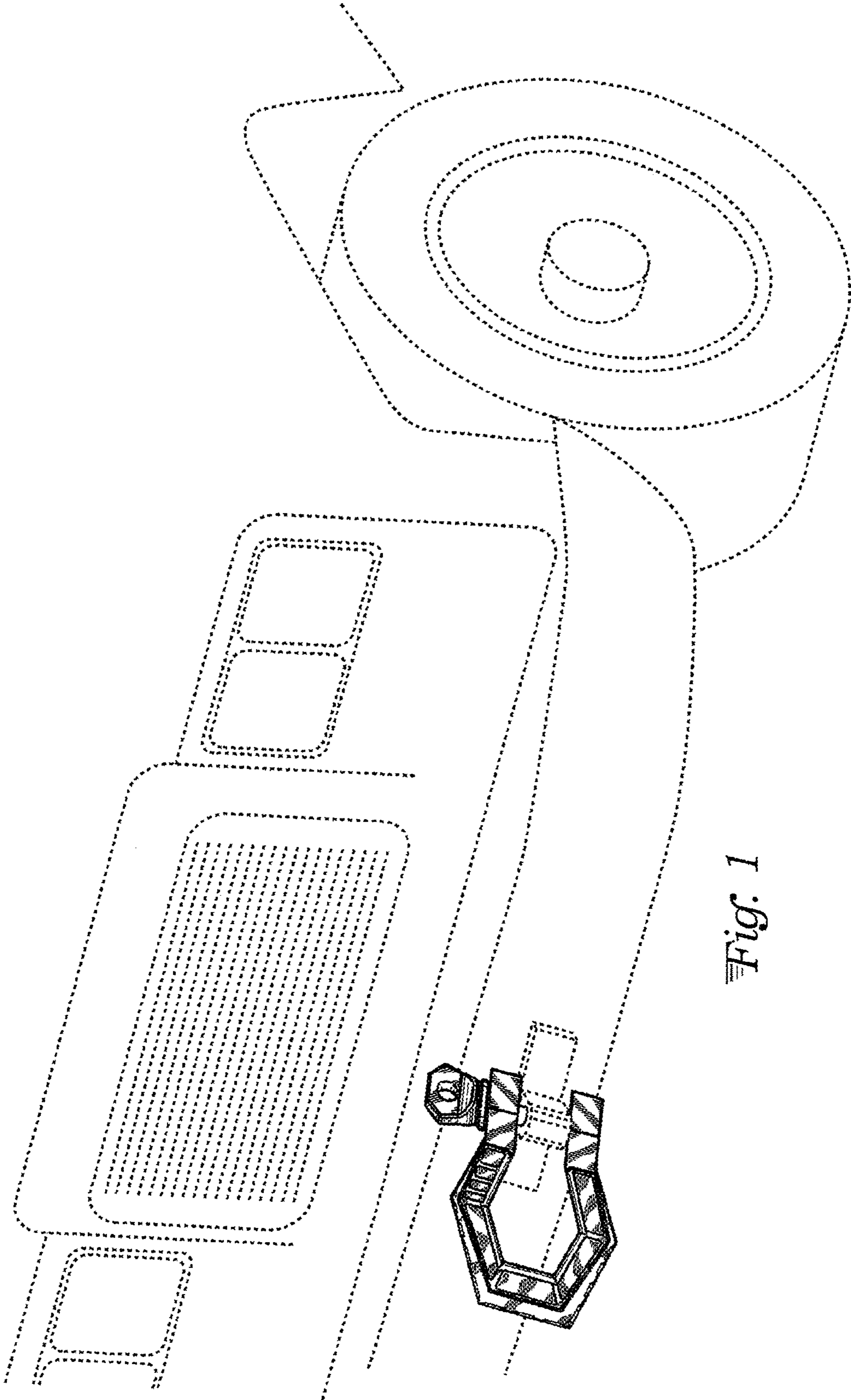
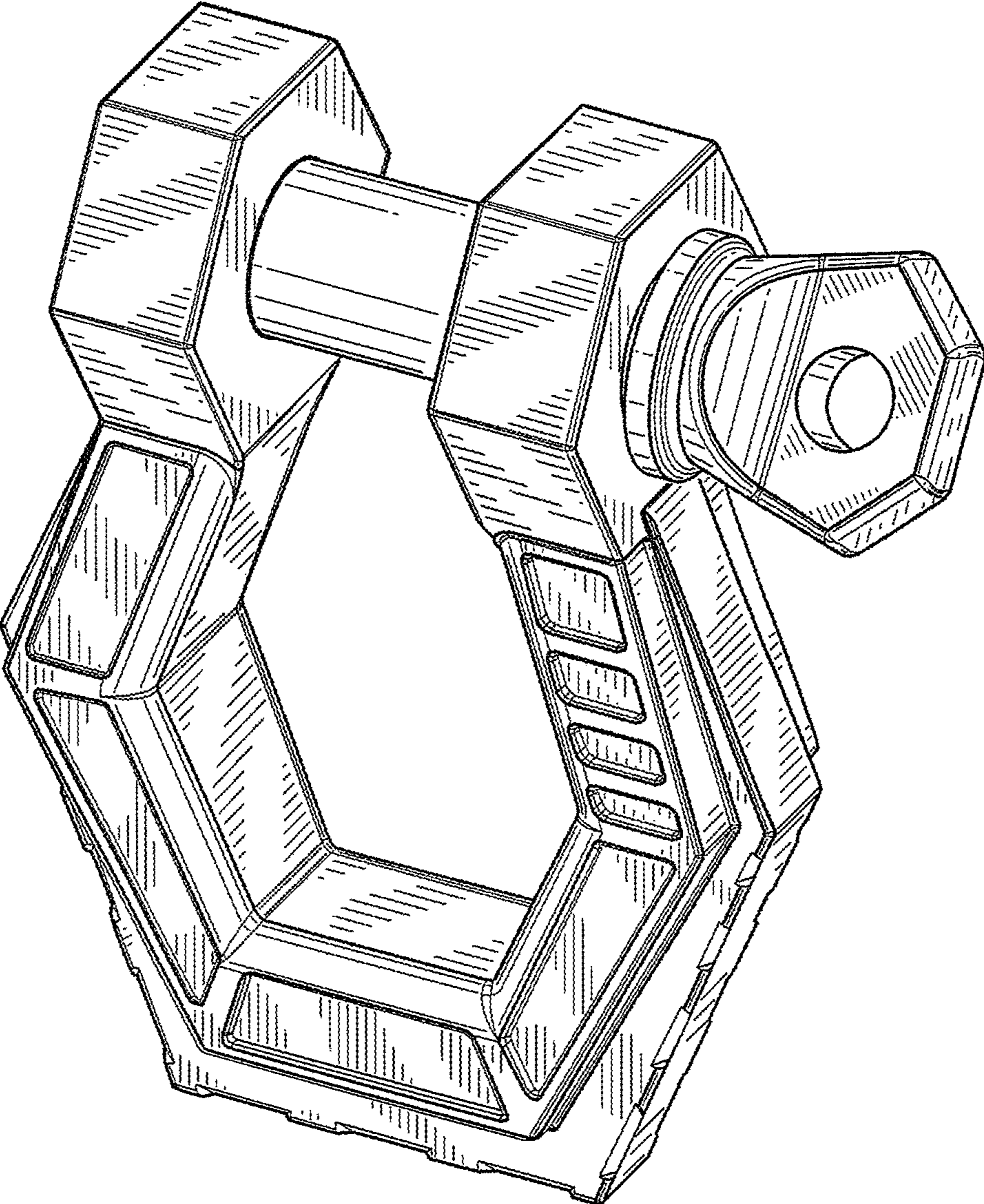


Fig. 1



*Fig. 2*

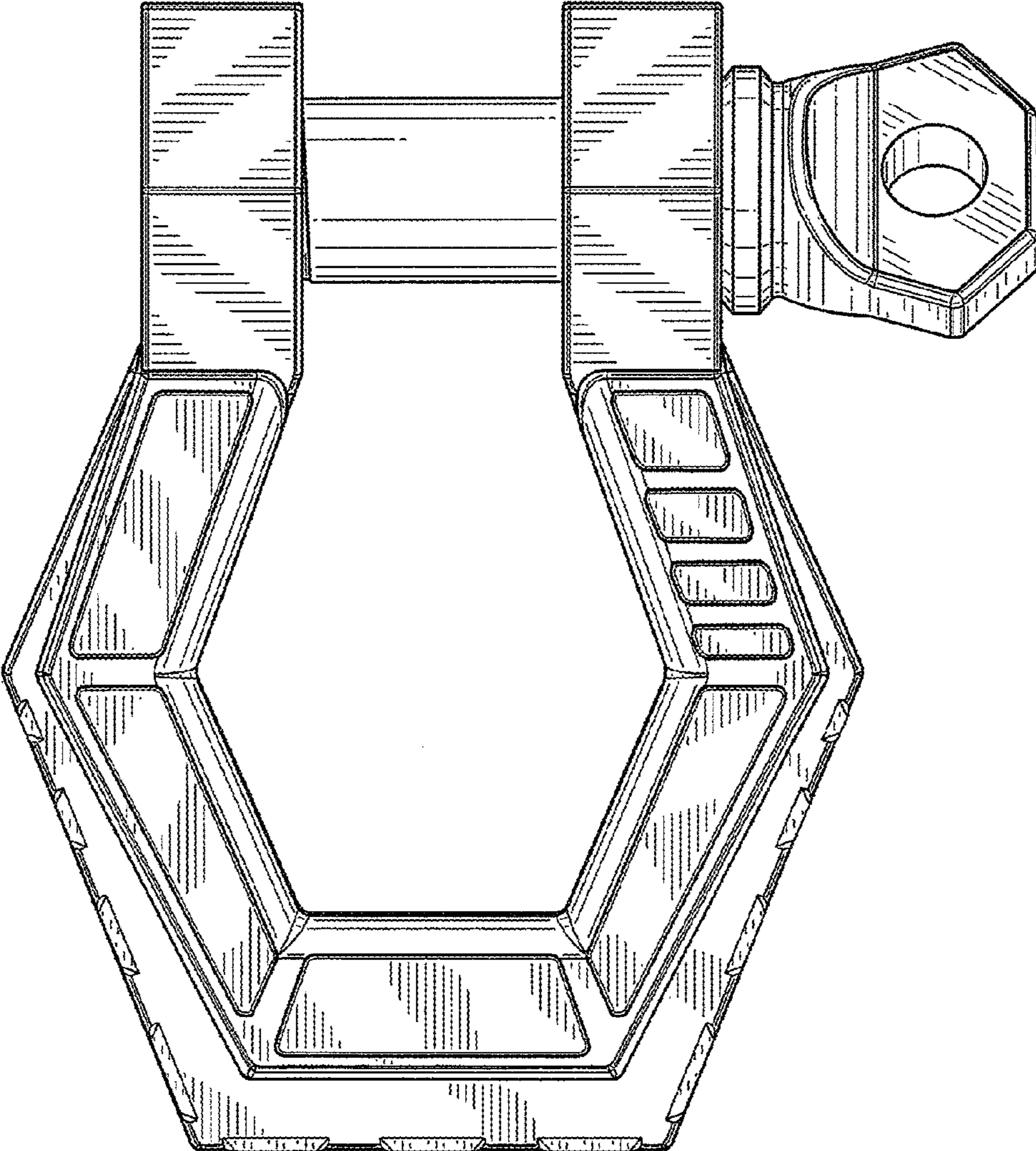


Fig. 3

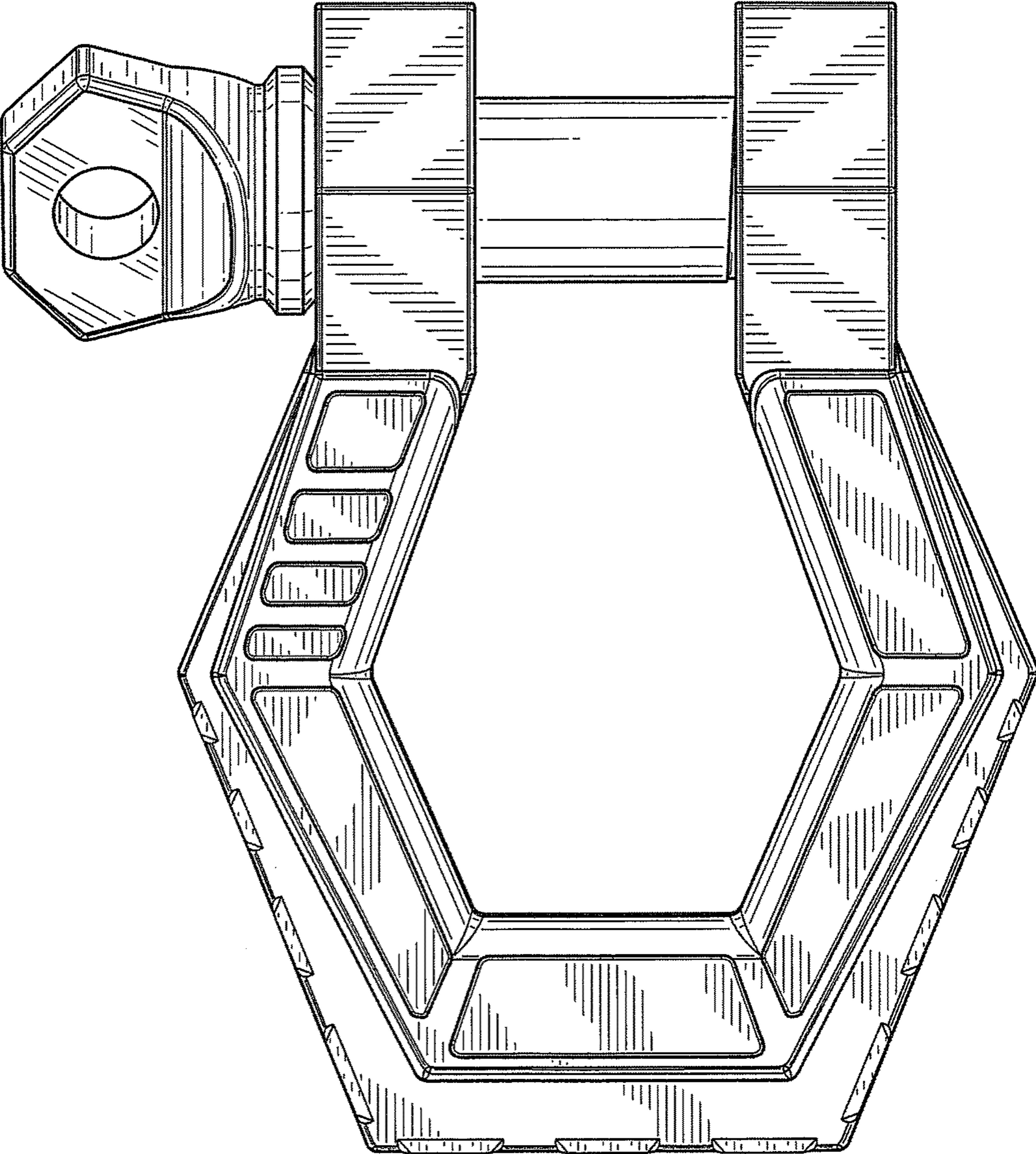
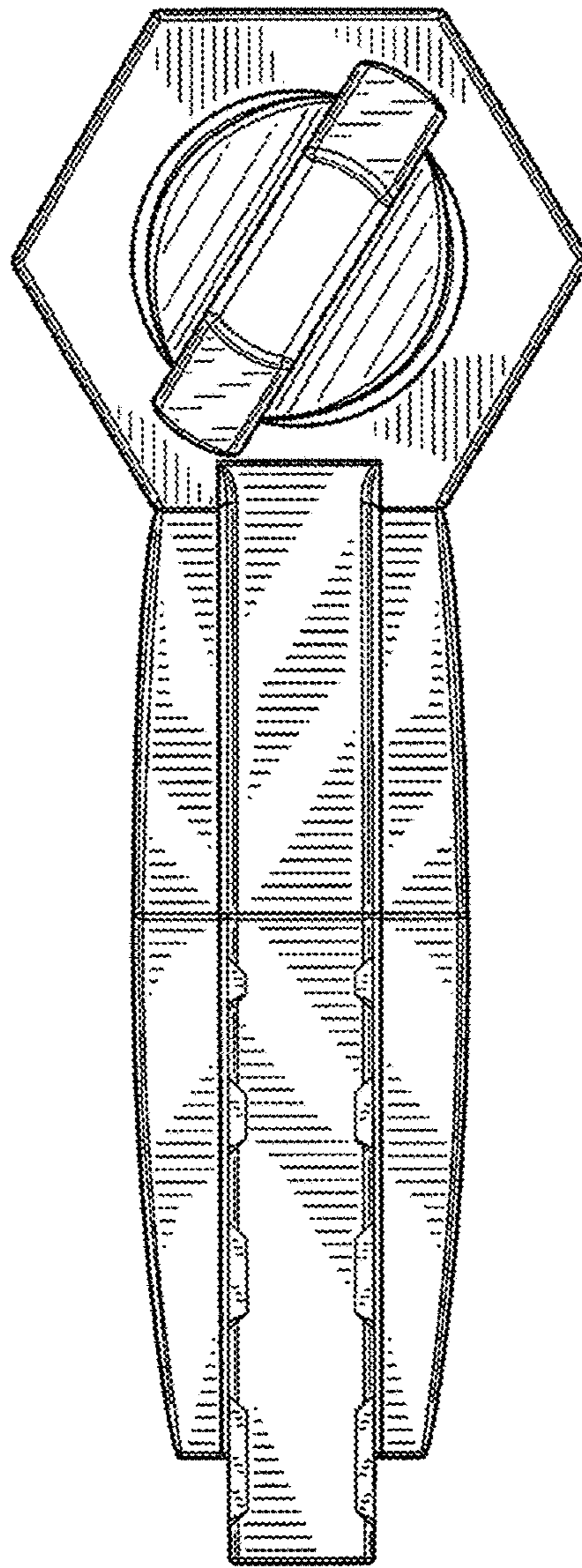
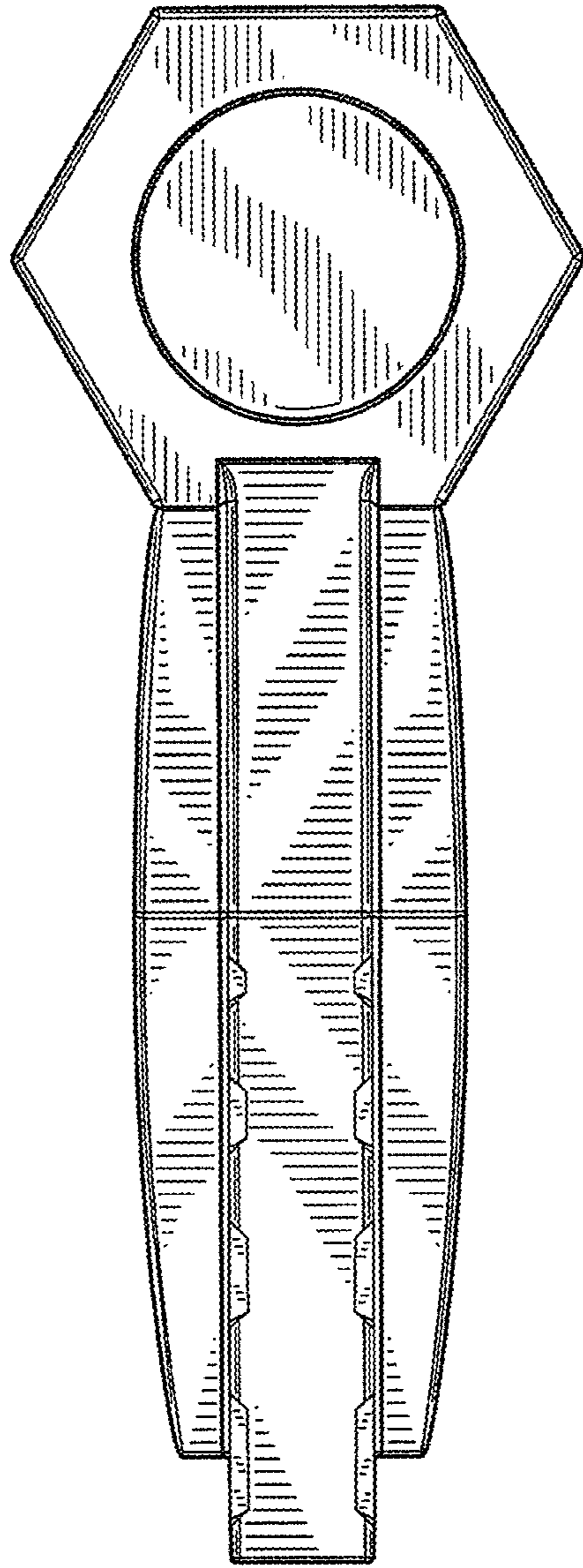


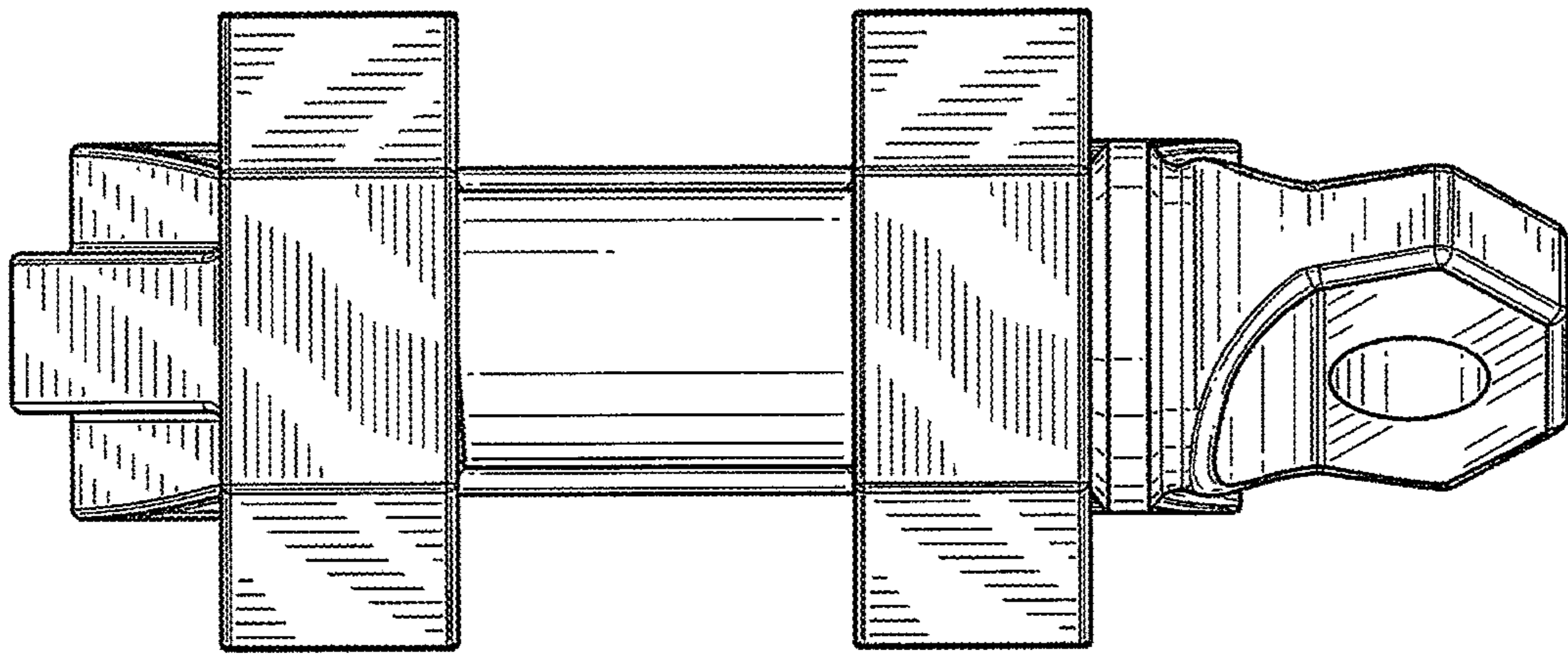
Fig. 4



*Fig. 5*

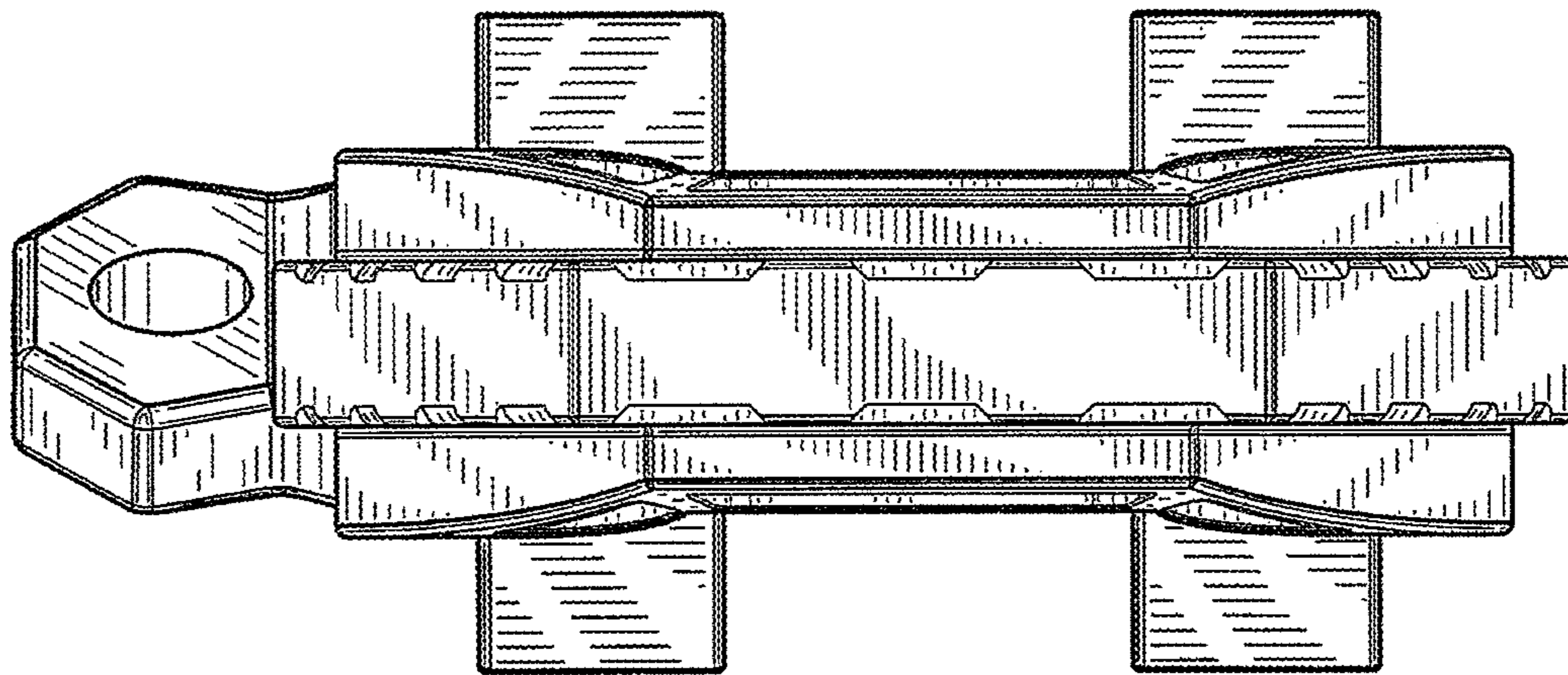


*Fig. 6*



*Fig. 7*





*Fig. 8*