



US00D757517S

(12) **United States Design Patent**  
**Tosin**

(10) **Patent No.:** **US D757,517 S**  
(45) **Date of Patent:** **\*\* May 31, 2016**

(54) **TWO-SIDED HINGE JOINT**  
(71) Applicant: **Smev S.R.L.**, Bassano del Grappa (VI)  
(IT)  
(72) Inventor: **Giuseppe Tosin**, Nove (IT)  
(73) Assignee: **SMEV S.R.L.**, Bassano del Grappa (IT)  
(\*\*) Term: **14 Years**  
(21) Appl. No.: **29/434,068**

5,906,196 A 5/1999 Measom  
6,000,388 A 12/1999 Andress  
D447,679 S \* 9/2001 Parisi ..... D8/323  
D449,491 S 10/2001 Measom  
D473,095 S 4/2003 Nguyen  
D483,531 S 12/2003 Shelley  
D483,532 S 12/2003 Shelley  
D520,803 S 5/2006 Lu  
D541,141 S \* 4/2007 Chou ..... D8/383  
D560,479 S \* 1/2008 Yoshie et al. .... D8/383  
D568,730 S \* 5/2008 Clarke ..... D8/383  
D584,942 S \* 1/2009 Yoshie ..... D8/383  
D606,800 S 12/2009 Bodum

(Continued)

(22) Filed: **Oct. 9, 2012**

**OTHER PUBLICATIONS**

(30) **Foreign Application Priority Data**  
Apr. 10, 2012 (EM) ..... 002 022 491  
(51) **LOC (10) Cl.** ..... **08-06**  
(52) **U.S. Cl.**  
USPC ..... **D8/323**  
(58) **Field of Classification Search**  
USPC ..... D8/323-331, 336, 338, 353, 355, 356;  
16/309, 235, 275, 244, 379, 390, 430,  
16/241, 238, 225, 250; D16/334; 4/236,  
4/240; D23/302, 303; 248/682  
See application file for complete search history.

Jan. 28, 2015, Office Action for U.S. Appl. No. 29/434,077, Giuseppe Tosin, filed Oct. 9, 2012.

(Continued)

(56) **References Cited**  
**U.S. PATENT DOCUMENTS**  
863,825 A 8/1907 Acker  
1,641,061 A 8/1927 Young  
1,995,331 A 3/1935 Snyder et al.  
D113,898 S \* 3/1939 Nisenson ..... D8/394  
2,579,393 A 12/1951 Modrey  
D259,137 S 5/1981 Knox  
D285,522 S 9/1986 Basini  
D295,818 S 5/1988 Chan  
D303,492 S \* 9/1989 Bisbing ..... D8/323  
D339,518 S \* 9/1993 Bisbing ..... D8/323  
D352,864 S 11/1994 Parker

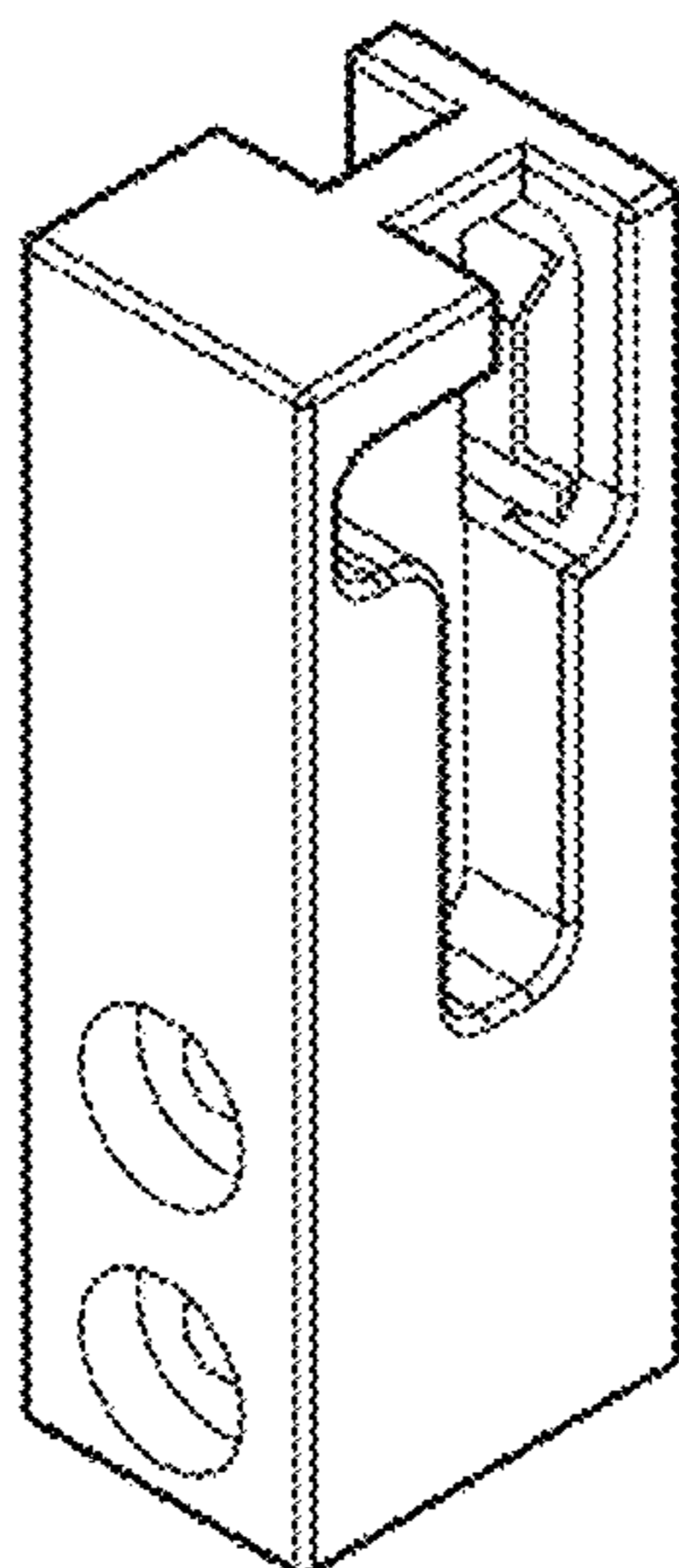
*Primary Examiner* — John Windmuller  
(74) *Attorney, Agent, or Firm* — Middleton Reutlinger

(57) **CLAIM**  
The ornamental design for a two-sided hinge joint, as shown and described.

**DESCRIPTION**

FIG. 1 is a left-side view of a two-sided hinge joint;  
FIG. 2 is a top side view of the two-sided hinge joint of FIG. 1;  
FIG. 3 is a rear view of the two-sided hinge joint of FIG. 1;  
FIG. 4 is a perspective view of the two-sided hinge joint of FIG. 1;  
FIG. 5 is a right-side view of the two-sided hinge joint of FIG. 1;  
FIG. 6 is a bottom view of the two-sided hinge joint of FIG. 1;  
and,  
FIG. 7 is a front view of the two-sided hinge joint of FIG. 1.

**1 Claim, 4 Drawing Sheets**



(56)

**References Cited**

**OTHER PUBLICATIONS**

U.S. PATENT DOCUMENTS

D635,452 S \* 4/2011 Jones ..... D8/383  
D650,265 S \* 12/2011 Wong ..... D8/383  
8,789,485 B2 \* 7/2014 Juenger et al. .... 114/218  
D716,608 S 11/2014 Tosin

U.S. Appl. No. 29/434,077 to Giuseppe Tosin—"One-Sided Hinge  
Joint", filed Oct. 9, 2012.

\* cited by examiner

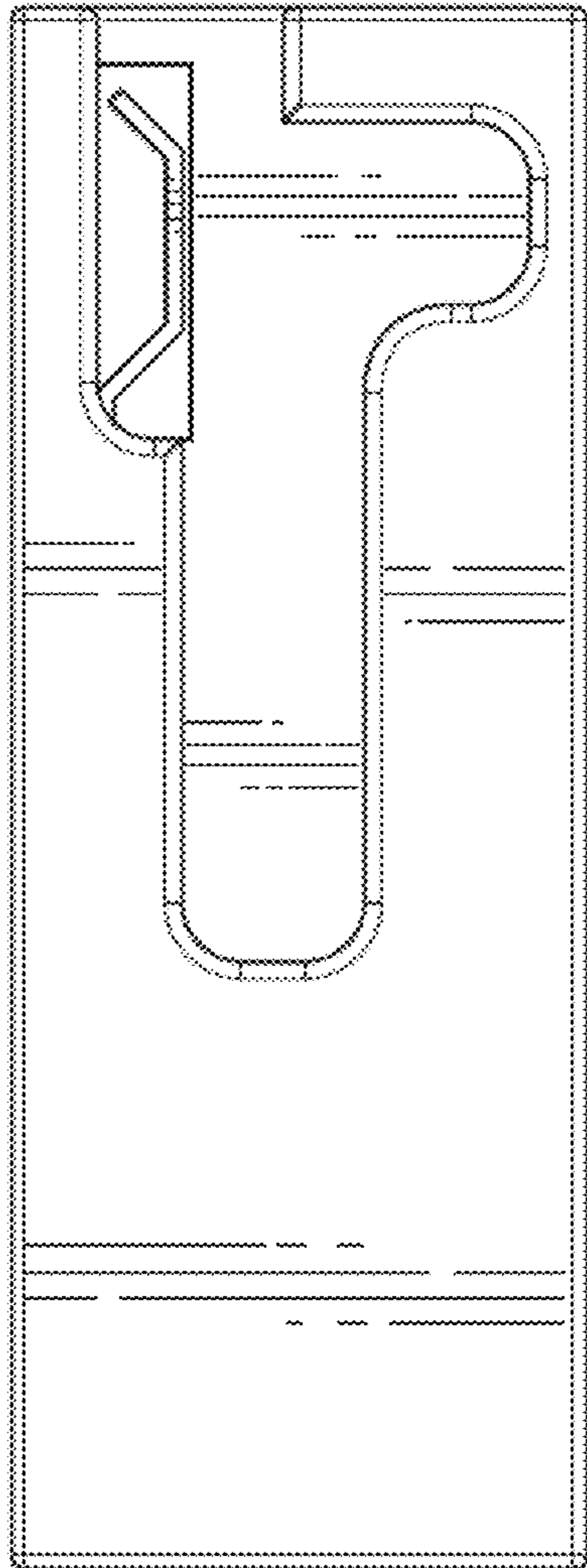


FIG. 1

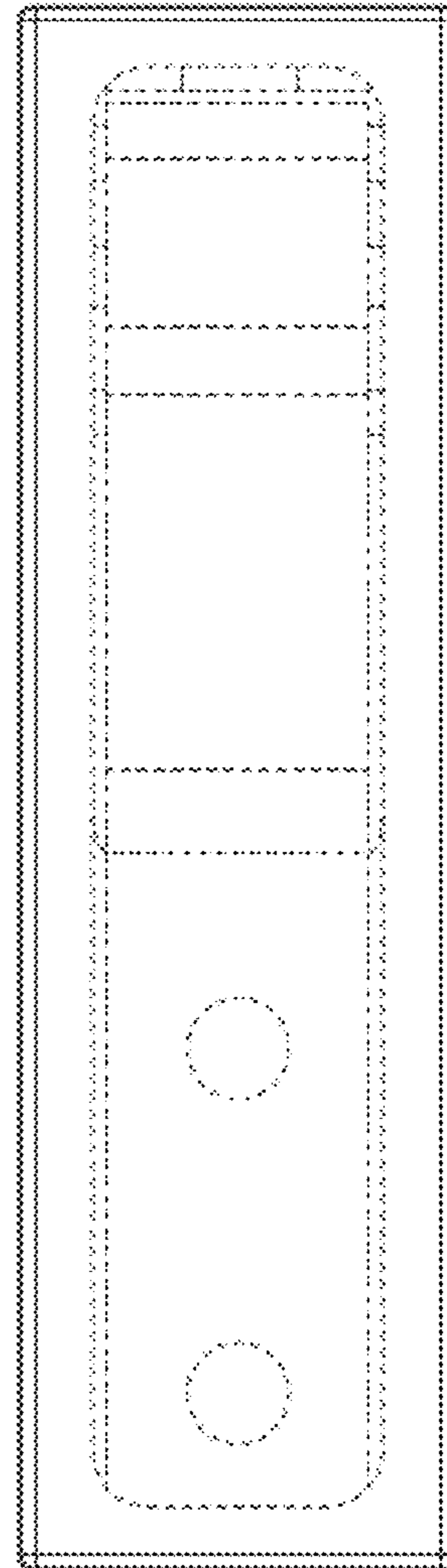


FIG. 3

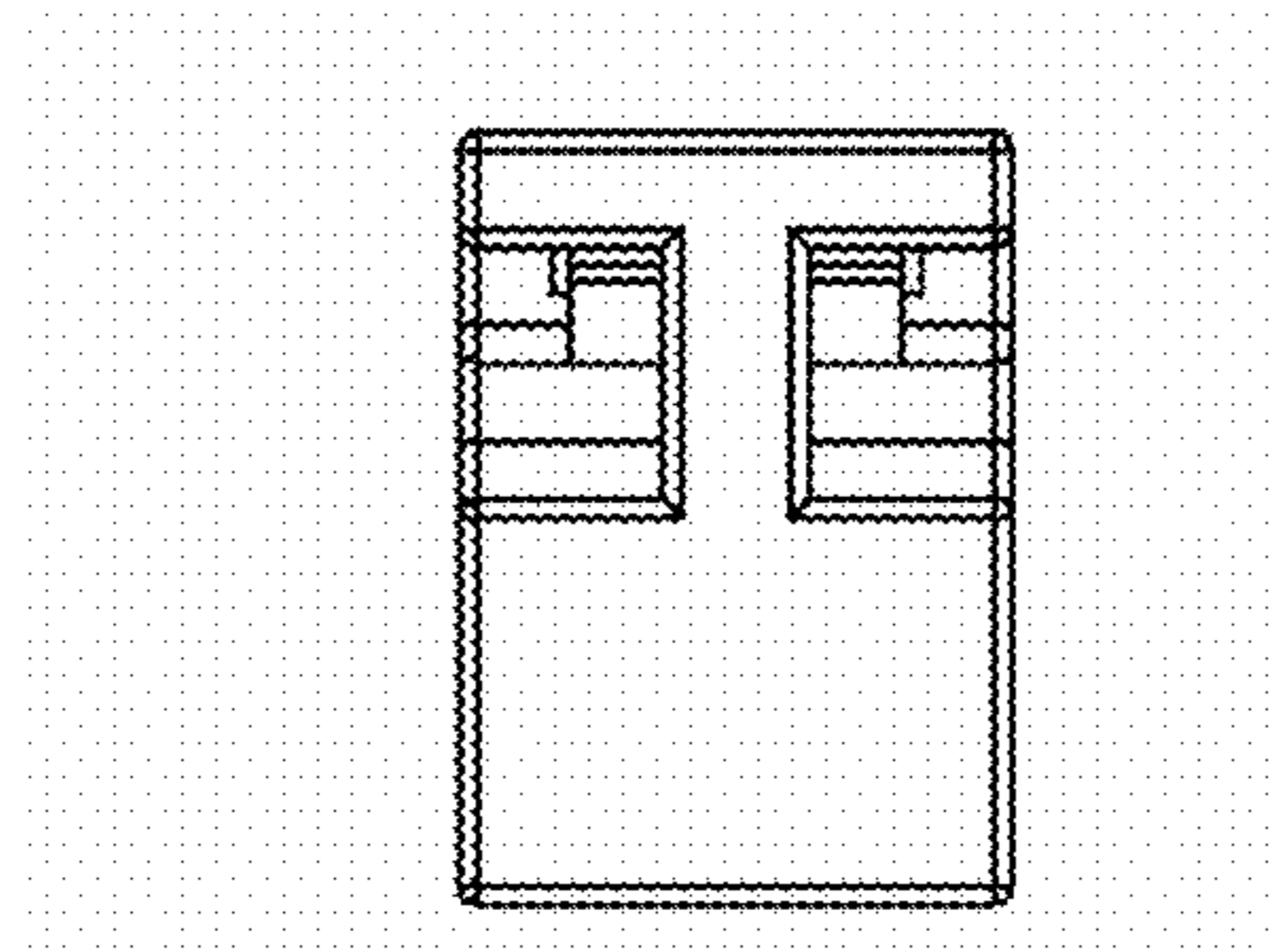


FIG. 2

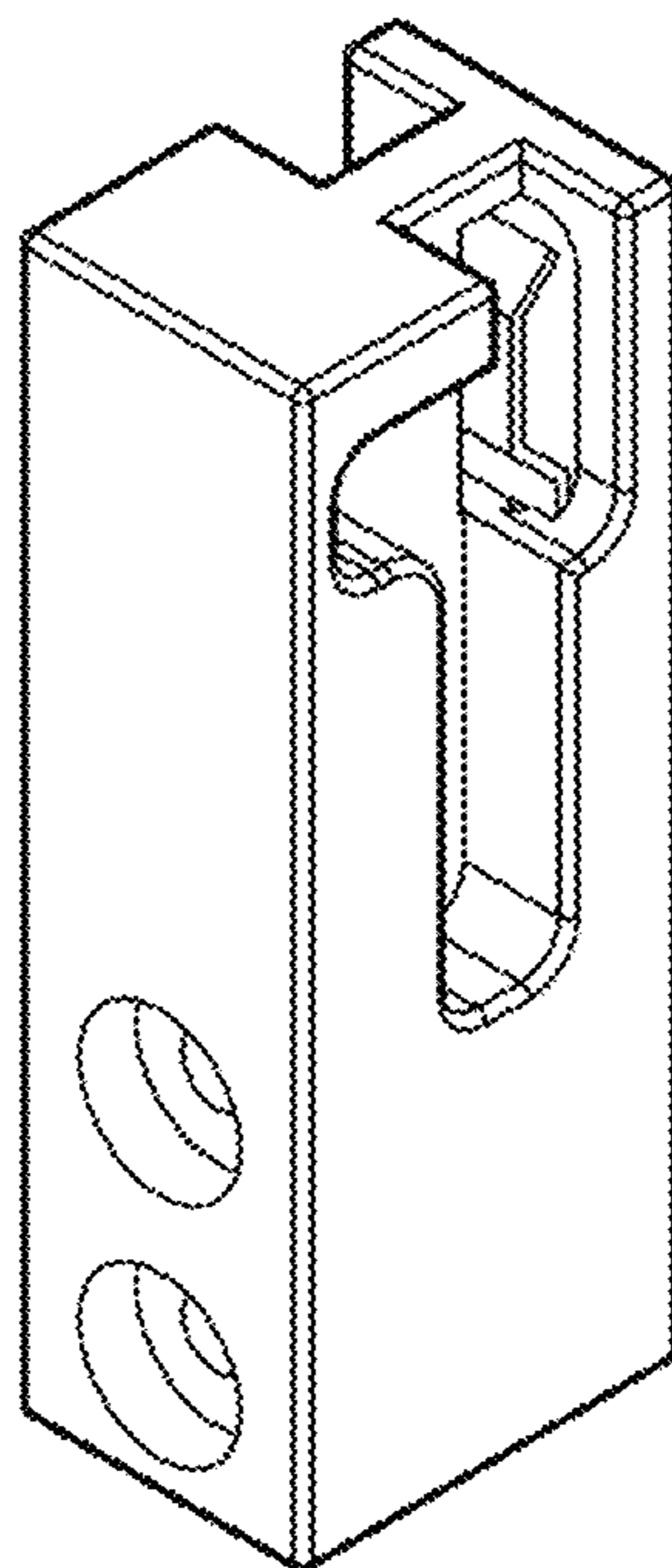


FIG. 4

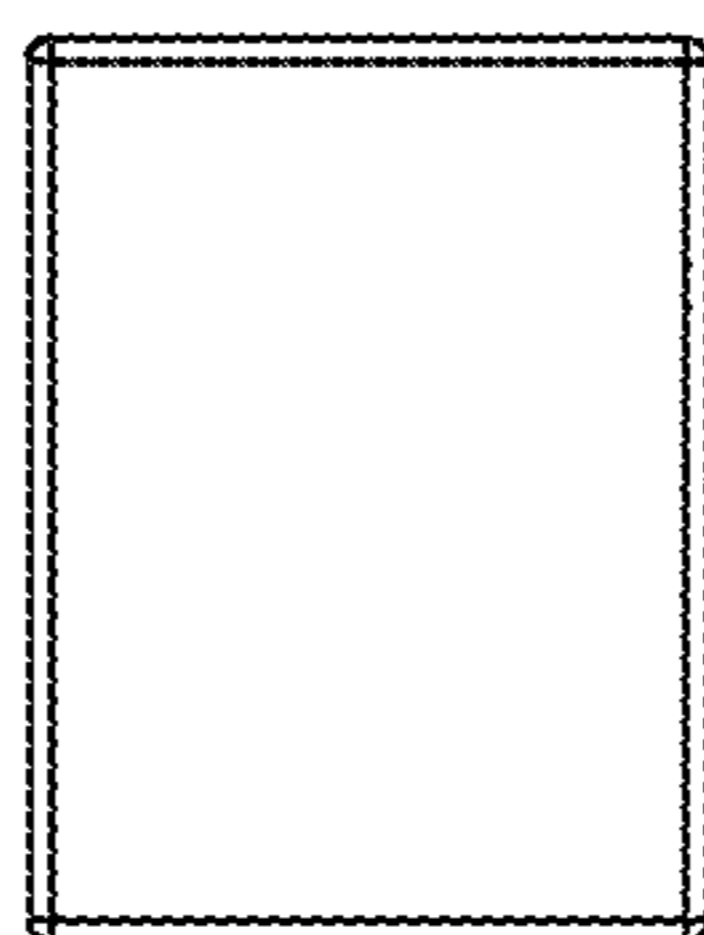


FIG. 6

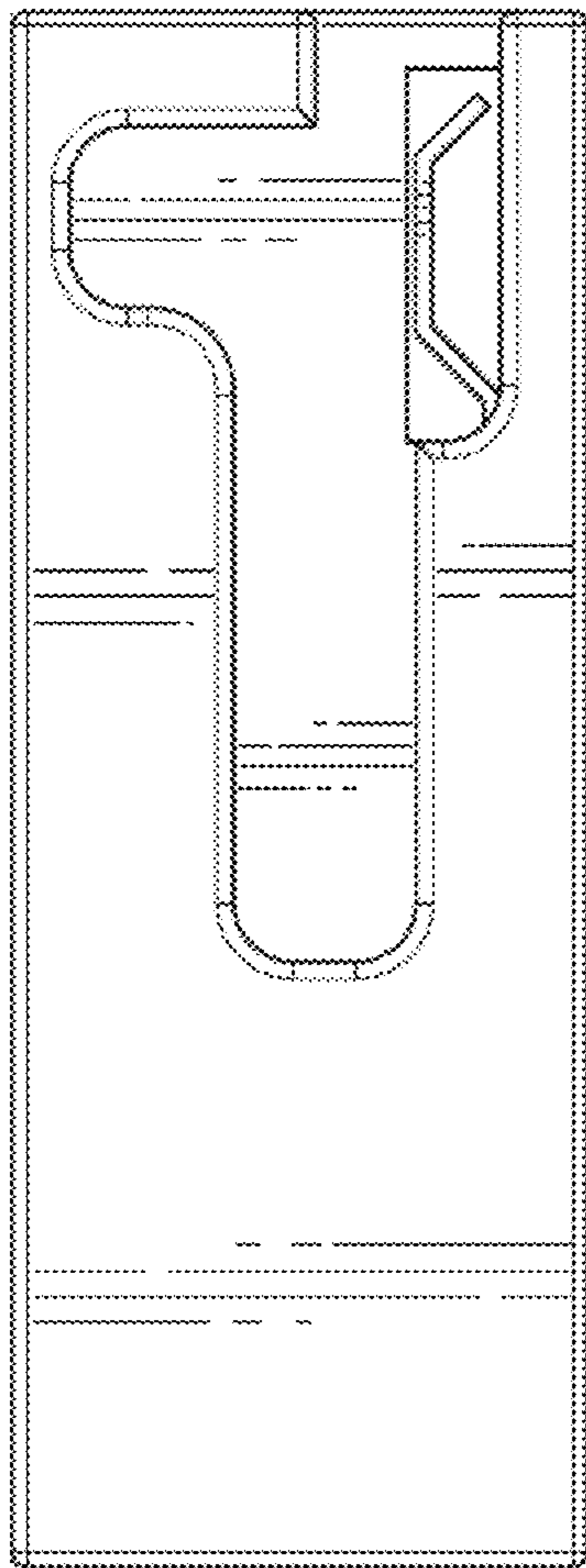


FIG. 5

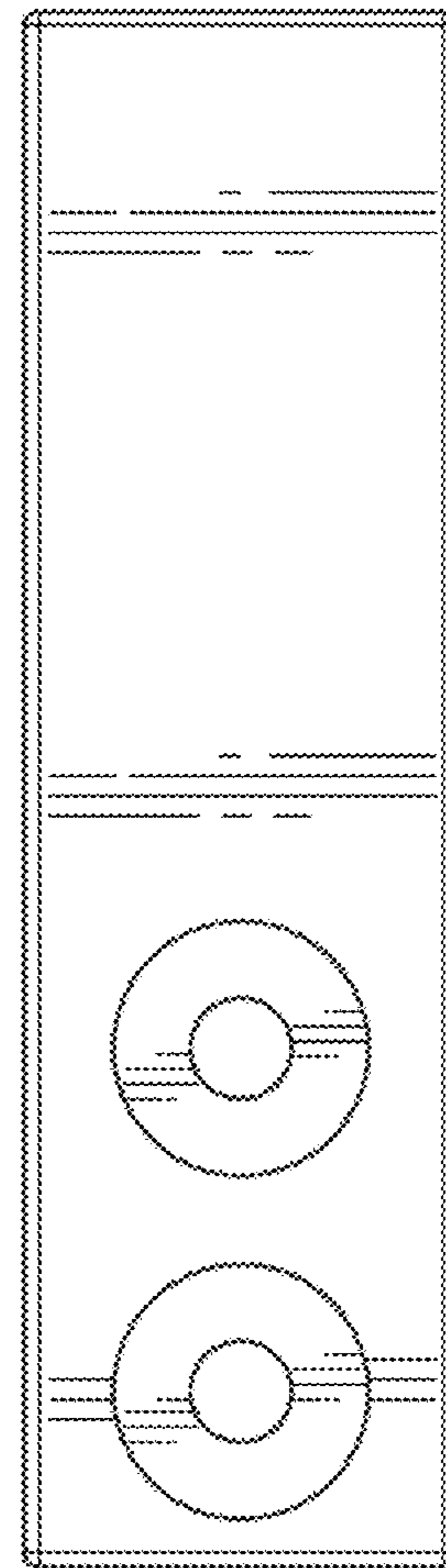


FIG. 7