



US00D757516S

(12) **United States Design Patent**
Nesbitt

(10) **Patent No.:** **US D757,516 S**
(45) **Date of Patent:** **** May 31, 2016**

- (54) **BRAKE BIAS ADJUSTER KNOB**
- (71) Applicant: **Innovatech, LLC**, Chicago, IL (US)
- (72) Inventor: **Bruce Nesbitt**, Chicago, IL (US)
- (73) Assignee: **Innovatech, LLC**, Chicago, IL (US)
- (**) Term: **14 Years**
- (21) Appl. No.: **29/510,131**
- (22) Filed: **Nov. 25, 2014**
- (51) **LOC (10) Cl.** **08-06**
- (52) **U.S. Cl.**
USPC **D8/307**
- (58) **Field of Classification Search**
USPC D8/107, 300-302, 307, 312, 321, 338,
D8/343, 397, 399; D7/393-396;
292/336.3; 74/551.8, 551.9, 553, 554,
74/555, 556, 557; 70/177; 16/110.1, 413,
16/414, 415, 417, 422, 426; D23/249, 250
CPC ... Y10T 16/469; Y10T 16/44; Y10T 74/2084;
Y10T 74/20828; Y10T 74/20822; Y10T
74/20864; Y10T 292/444; Y10T 292/432;
Y10T 292/42; Y10T 16/4713; Y10T 16/4707;
Y10T 16/476; Y10T 16/506; Y10T 4/20876;
Y10T 16/4559; Y10T 292/0902; Y10T
292/1028; Y10T 16/459; Y10T 292/702;
Y10T 292/0934; Y10T 137/7069; Y10T
292/1083; Y10T 403/7062; Y10T 292/1078;
Y10T 292/1024; Y10T 74/20396; Y10T
292/0968; Y10T 292/1085; Y10T 292/1061;
Y10T 292/1047; Y10T 292/854; Y10T
403/60; Y10S 16/30
See application file for complete search history.

- (56) **References Cited**
U.S. PATENT DOCUMENTS
1,692,605 A 11/1928 Wolf
2,532,970 A 12/1950 Van Dyke

- 2,539,575 A 1/1951 George
- 2,658,395 A 11/1953 Coates
- 2,746,417 A 5/1956 McCord et al.
- 2,805,636 A 9/1957 Smith
- 2,980,055 A 4/1961 Burns
- 3,136,294 A 6/1964 Arnold et al.
- D200,186 S * 1/1965 Mortimer D23/250

(Continued)

OTHER PUBLICATIONS

Pegasus Auto Racing Supplies, Tilton Dual Pedail Asmy 5.5 Ratio, Overhung Mt, Aluminum, Printed from https://www.pegasusautoracing.com/productdetails.asp?RecId=6395&utm_source=Google . . . , on Oct. 5, 2013 (1 Page).

(Continued)

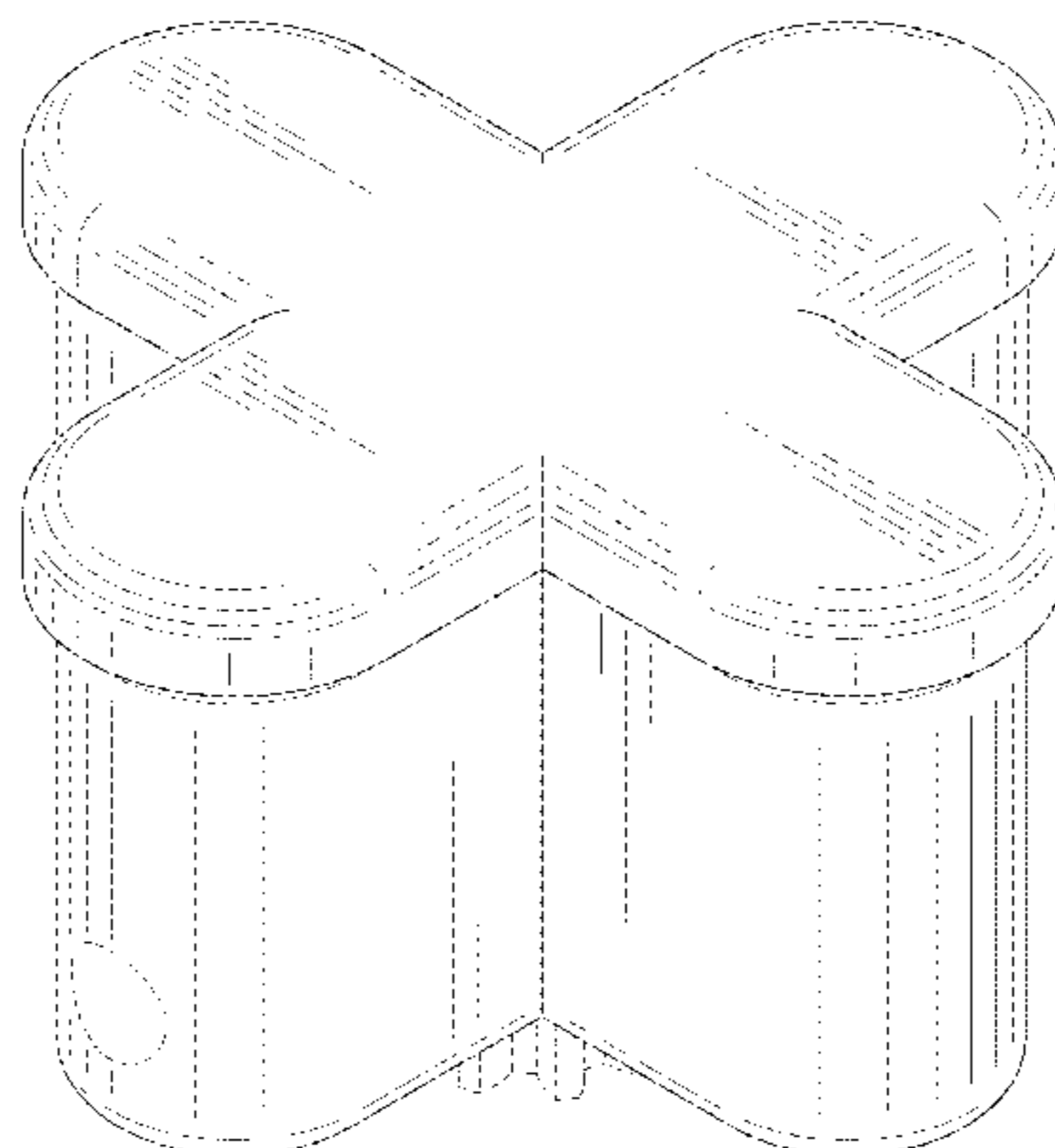
Primary Examiner — Derrick Holland
Assistant Examiner — Lauren Calve
(74) *Attorney, Agent, or Firm* — Neal, Gerber & Eisenberg LLP

(57) **CLAIM**
The ornamental design for a brake bias adjuster knob, as shown and described.

DESCRIPTION

FIG. 1 is a top perspective view of a brake bias adjuster knob showing my new design.
FIG. 2 is a bottom perspective view of the brake bias adjuster knob of FIG. 1.
FIG. 3 is a front view of the brake bias adjuster knob of FIG. 1, the rear view being a mirror image thereof.
FIG. 4 is a left side view of the brake bias adjuster knob of FIG. 1, the right side view being a mirror image thereof.
FIG. 5 is a top view of the brake bias adjuster knob of FIG. 1; and,
FIG. 6 is a bottom view of the brake bias adjuster knob of FIG. 1.
The broken lines shown represent unclaimed subject matter and form no part of the claimed design.

1 Claim, 6 Drawing Sheets



(56)

References Cited

U.S. PATENT DOCUMENTS

3,895,600 A 7/1975 DeLong
 3,934,939 A 1/1976 Hida
 3,949,702 A 4/1976 DeLong
 3,991,702 A 11/1976 Taylor
 4,016,755 A 4/1977 Anderberg et al.
 D268,514 S * 4/1983 Thompson D23/254
 4,776,438 A 10/1988 Schandelmeier
 D337,246 S * 7/1993 Arden D8/107
 5,646,849 A 7/1997 Walenty et al.
 5,697,260 A 12/1997 Rixon et al.
 5,819,593 A 10/1998 Rixon et al.
 5,950,245 A 9/1999 Binduga
 6,357,291 B1 3/2002 Jenness et al.
 D464,249 S * 10/2002 Laabs D8/343
 D466,195 S * 11/2002 Marshall D23/250
 6,513,200 B2 * 2/2003 Yang G05G 1/10
 16/422
 6,516,683 B2 2/2003 Sundaresan et al.
 D472,947 S 4/2003 Wu
 D523,727 S * 6/2006 Haug D8/307
 D563,192 S * 3/2008 Barry D23/245
 D572,998 S * 7/2008 Crain D8/305
 D588,235 S * 3/2009 Rexach D23/250
 D609,550 S * 2/2010 Wan D8/300
 D644,085 S * 8/2011 Jungen D8/307
 D657,654 S * 4/2012 Matsumiya D8/312
 D676,551 S * 2/2013 Desai D24/129
 2002/0166408 A1 11/2002 Willemsen
 2003/0056615 A1 3/2003 Oberheide et al.
 2005/0016319 A1 1/2005 Kiczek et al.

2005/0160869 A1 7/2005 Willemsen et al.
 2006/0266190 A1 11/2006 Saitou et al.
 2012/0266410 A1 * 10/2012 Huang F16K 31/60
 16/110.1

OTHER PUBLICATIONS

Ebay, Remote Brake Bias Cable and Adjuster System RS Group 4 Escort Rally Locost F2, Printed from <http://www.ebay.com/itm/161095790872> on Oct. 5, 2013 (3 Pages).
 Installation Instructions for Premium Remote Bias Adjuster, Published by Tilton Engineering, Available prior to Nov. 25, 2014 (1 Page).
 Brake Balance or Brake Bias, Published by Technical F1 Dictionary, Available prior to Nov. 25, 2014 (3 Pages).
 AbsoluteHobbyz.com, Buku Brake Bias Tool, Published prior to Nov. 25, 2014 (2 Pages).
 Ebay Picture, New Nascar Tilton Brake Pedal Balance Bar, Printed from <http://www.ebay.com/itm/NEW-NASCAR-TILTON-BRAKE-PEDAL-BALANCE-BAR> . . . on Nov. 17, 2013 (1 Page).
 Ebay Picture, Tilton Brake Remote Bias Adjuster, Printed from <http://i.ebay.com/t/tilton-brake-remote-bias-adjuster-imca-nascar-ump-sprint-car-00/> . . . on Nov. 17, 2013 (1 Page).
 Logitech Driving Force GT Wheel for PS3, PS2 & PC, Available prior to Nov. 25, 2014 (7 Pages).
 BuKu Performance Products Brake Bias Gauge, Available prior to Nov. 25, 2014 (4 Pages).
 Knob, Available prior to Nov. 25, 2014 (1 Page).
 Brakeometer Alcon device, Available prior to Nov. 25, 2014 (1 Page).

* cited by examiner

FIG. 1

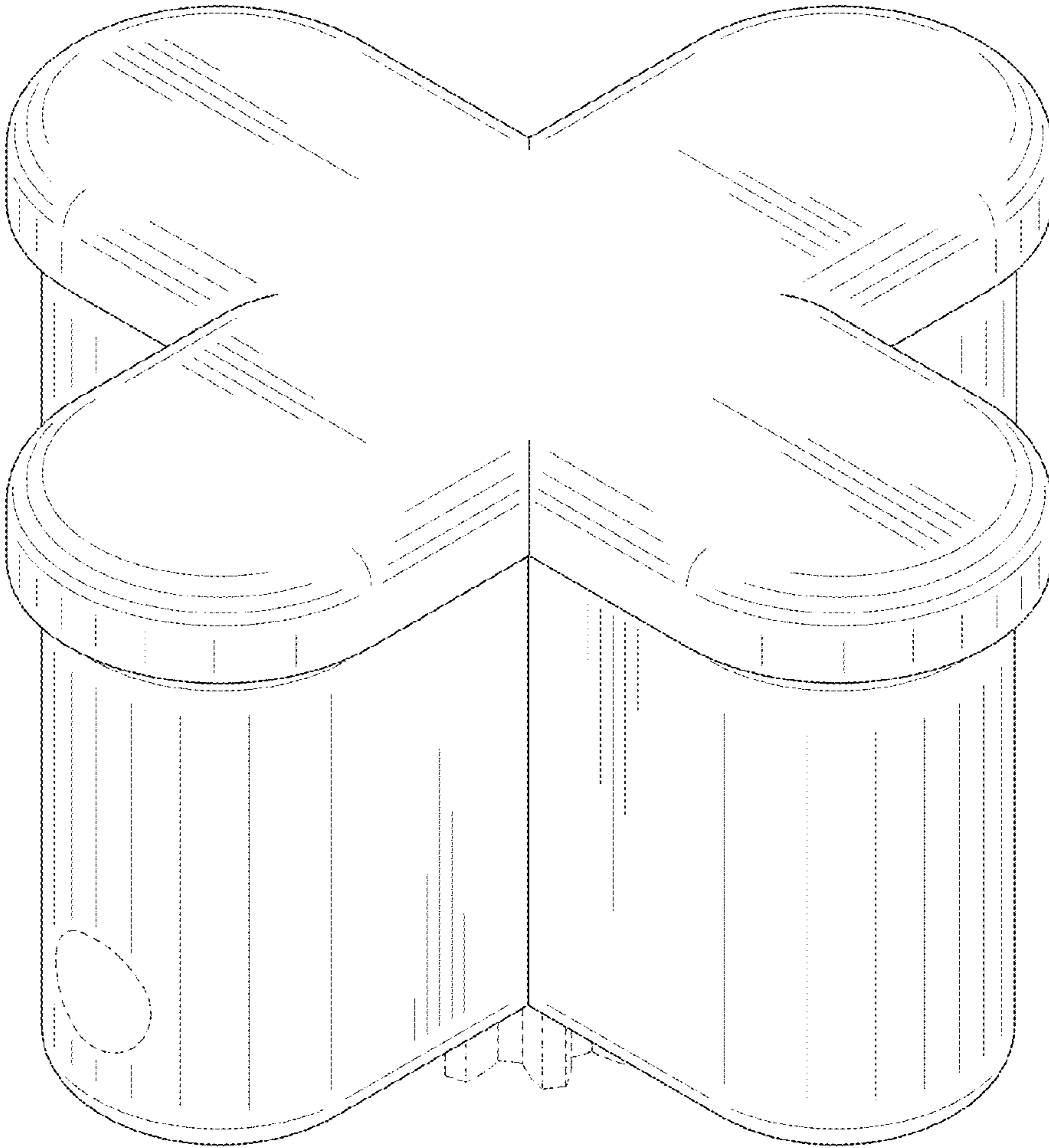


FIG. 2

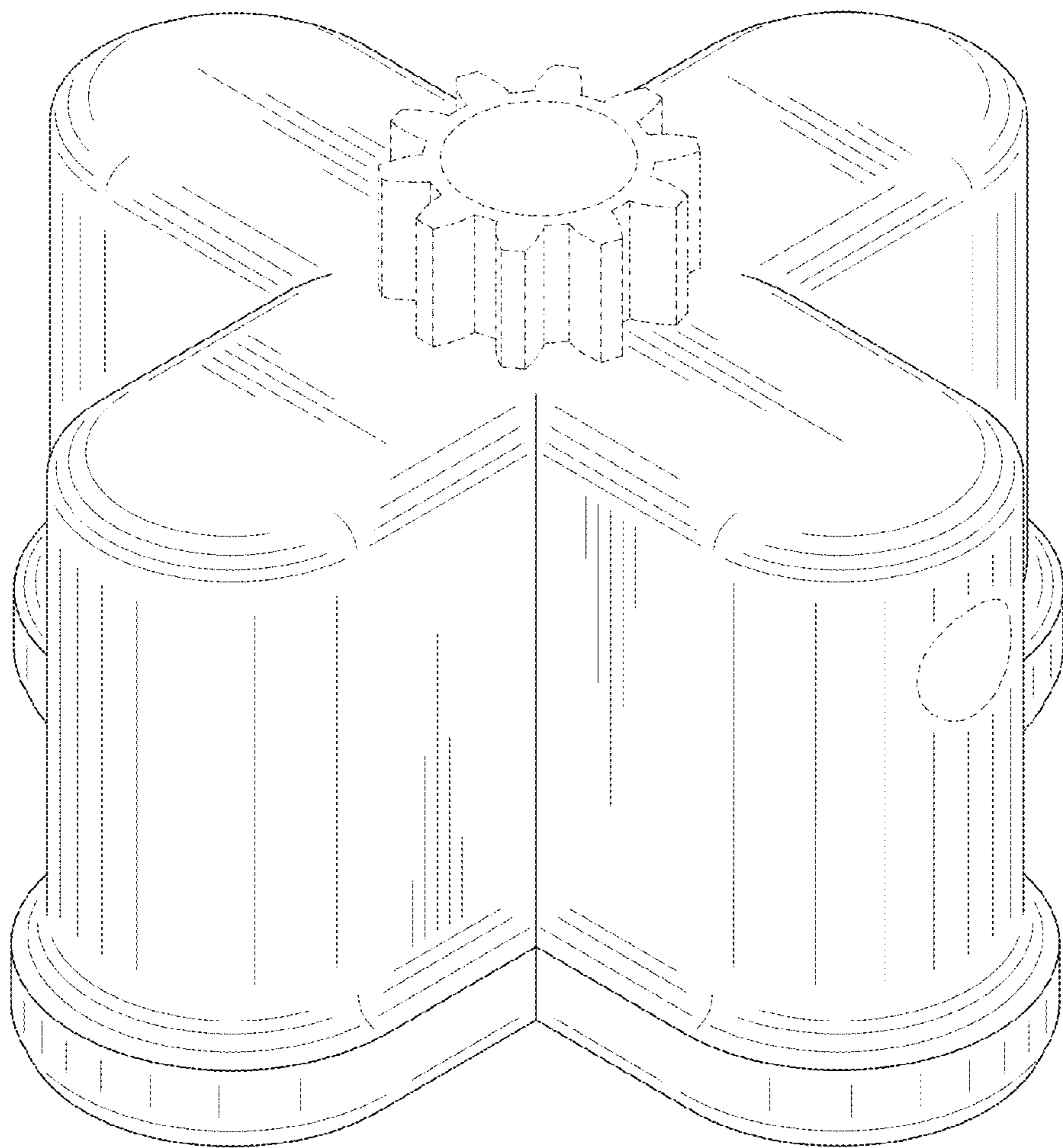


FIG. 3

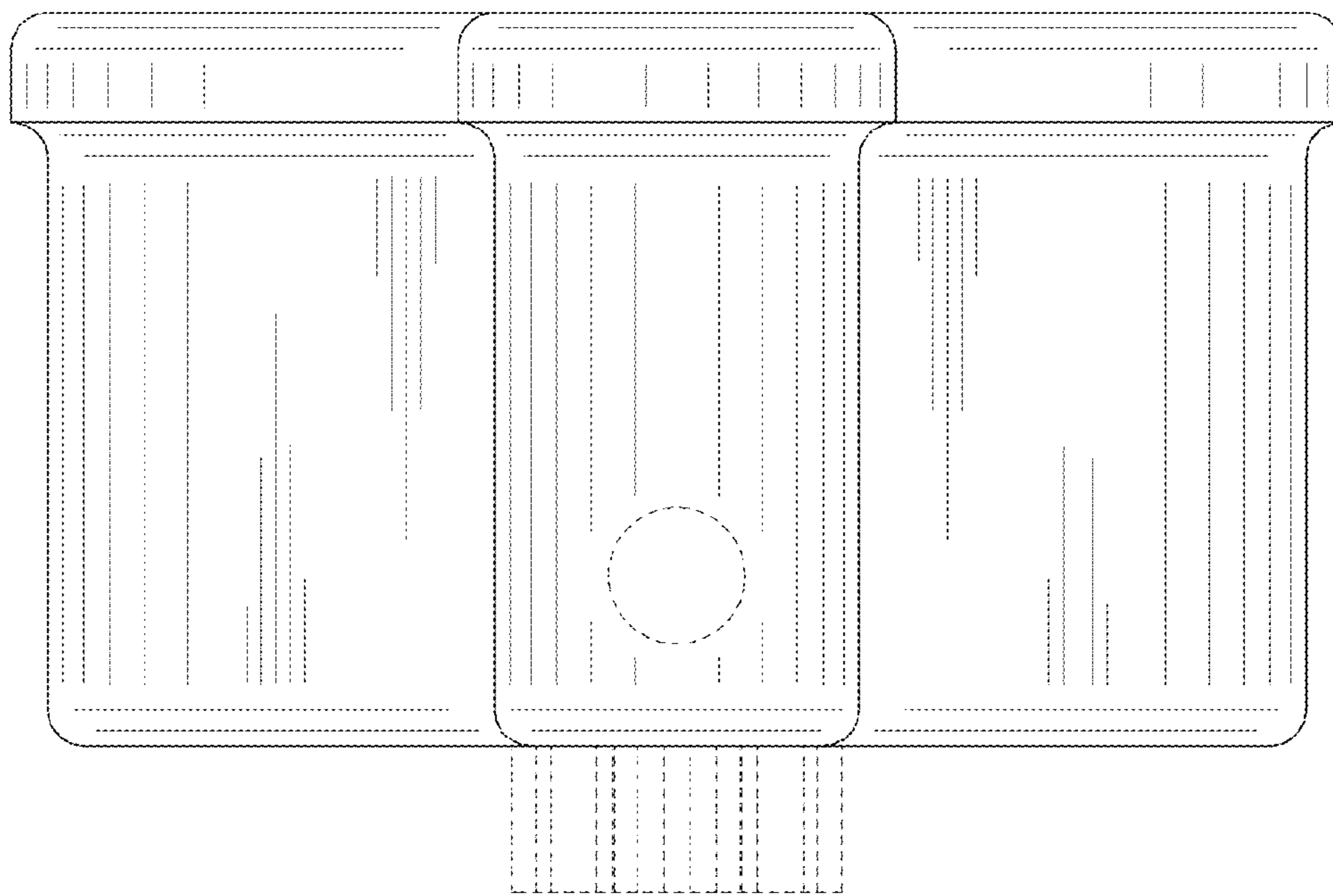


FIG. 4

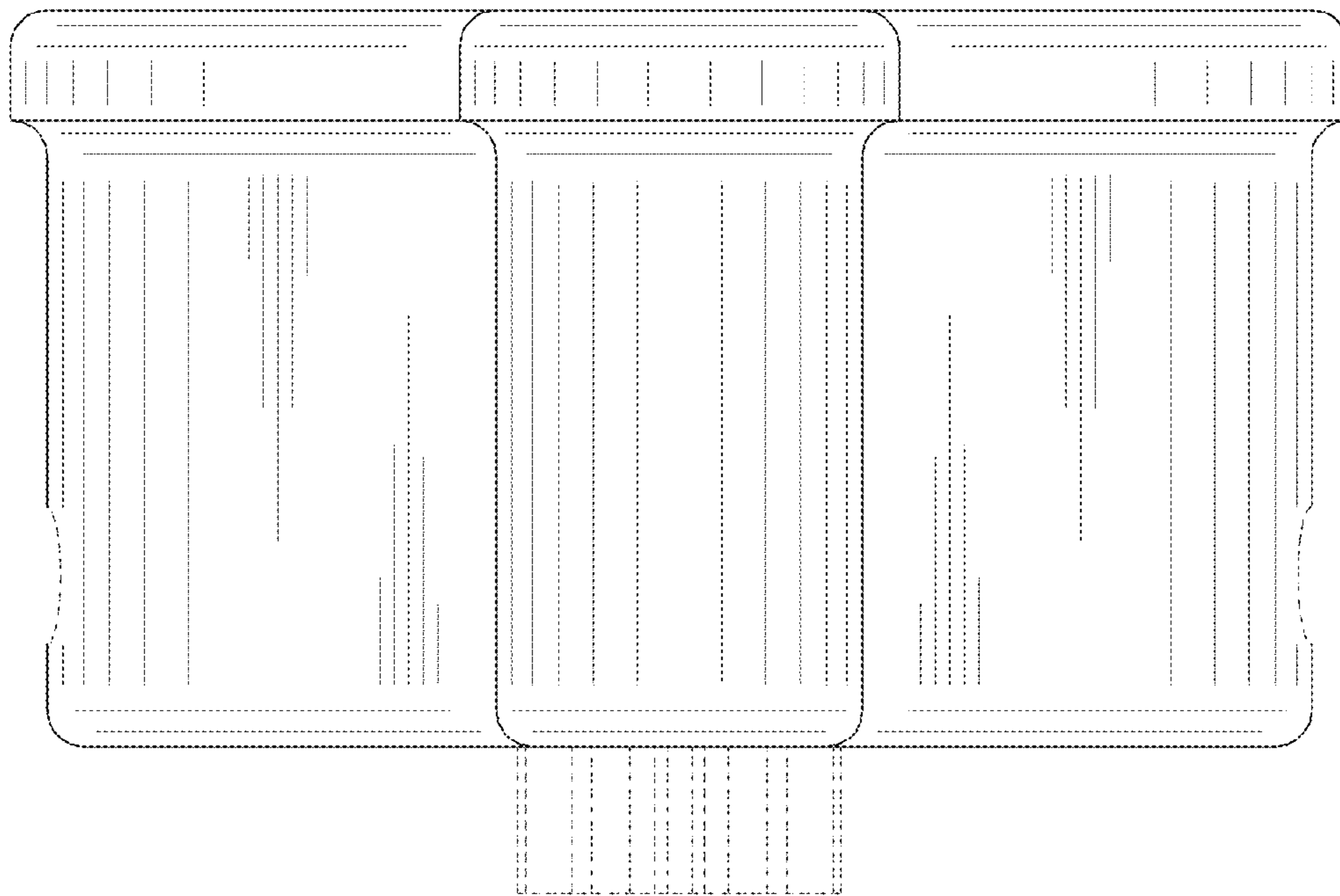


FIG. 5

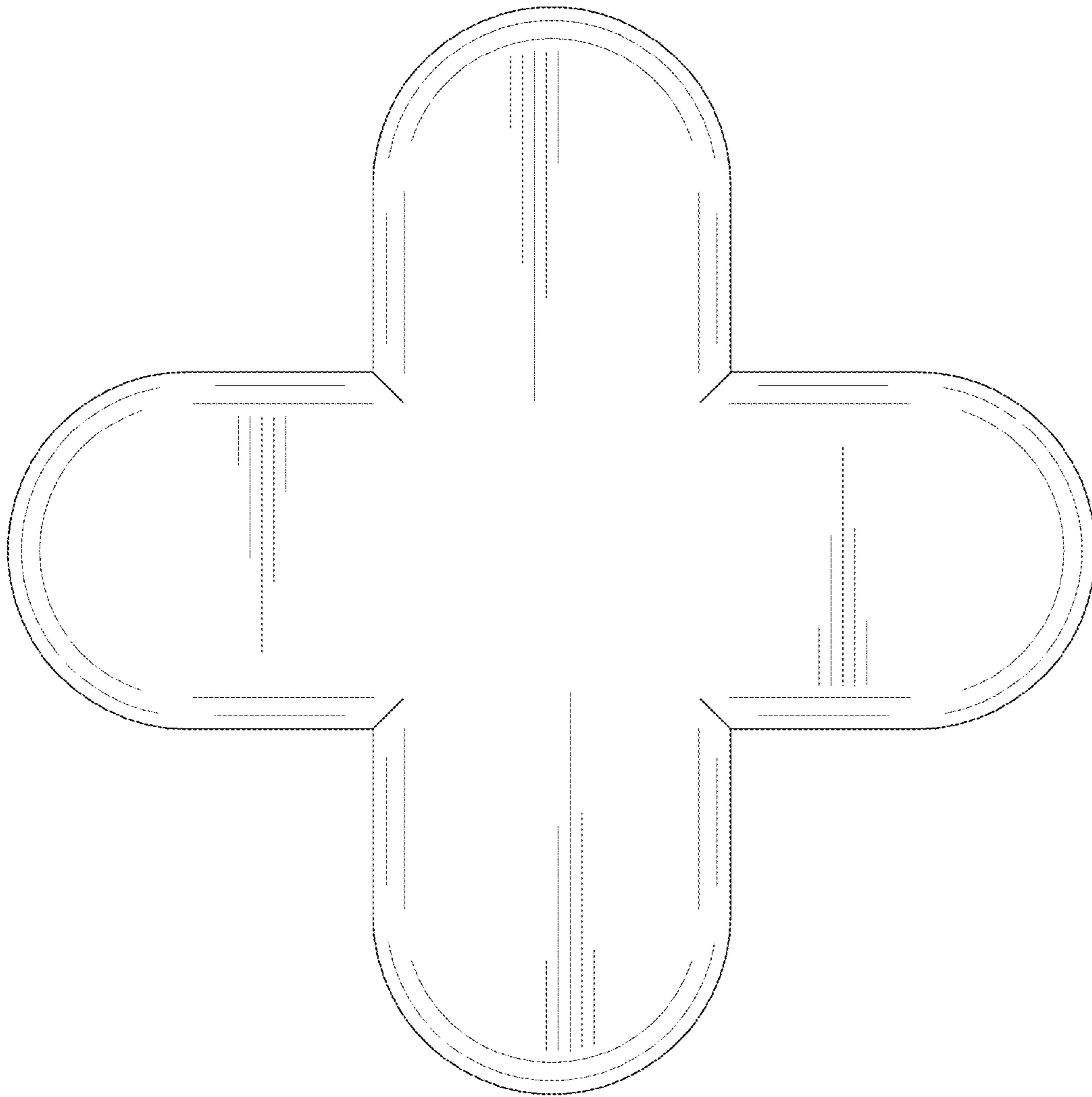


FIG. 6

