



US00D757515S

(12) **United States Design Patent**
Treadway

(10) **Patent No.:** **US D757,515 S**

(45) **Date of Patent:** **** *May 31, 2016**

(54) **ROOFING TOOL**

(71) Applicant: **Jeremy Treadway**, Edgewood, TX (US)

(72) Inventor: **Jeremy Treadway**, Edgewood, TX (US)

(*) Notice: This patent is subject to a terminal disclaimer.

(**) Term: **14 Years**

(21) Appl. No.: **29/494,036**

(22) Filed: **Jun. 17, 2014**

(51) **LOC (10) Cl.** **08-05**

(52) **U.S. Cl.**
USPC **D8/88**

(58) **Field of Classification Search**
USPC D8/14, 88, 89; D32/49
CPC E04D 15/003; E04D 15/00; B66F 15/00
See application file for complete search history.

(56) **References Cited**

U.S. PATENT DOCUMENTS

2,498,069	A	2/1950	Clayden	
3,323,826	A	6/1967	Crowley	
4,086,699	A *	5/1978	Olkola	30/172
4,477,972	A *	10/1984	Testa, Jr.	30/172
D359,434	S *	6/1995	Gibson	D8/89
5,447,289	A	9/1995	Callahan	
D392,867	S *	3/1998	Gracy et al.	D8/89
5,813,295	A *	9/1998	Jensen, Jr.	81/45
5,836,222	A *	11/1998	Harpell	81/45
6,029,545	A *	2/2000	Harpell	81/45
6,058,809	A *	5/2000	Flanz	81/45
6,125,720	A *	10/2000	Gohman	81/45
6,339,975	B1 *	1/2002	Harpell	81/45

6,798,348	B1	9/2004	Wilker et al.	
6,918,321	B1 *	7/2005	Whittaker	81/45
D519,578	S *	4/2006	Carruth	D21/592
D569,211	S *	5/2008	Peddie	D8/88
D588,318	S *	3/2009	van Deursen et al.	D32/49
D684,450	S *	6/2013	Boies	D8/88
2002/0134971	A1	9/2002	Christensen	
2010/0299843	A1	12/2010	Dapkins, Jr. et al.	
2011/0203418	A1 *	8/2011	Yousufzai	81/45

* cited by examiner

Primary Examiner — Phillip S Hyder

(74) *Attorney, Agent, or Firm* — Daniel Boudwin; Global Intellectual Property Agency LLC.

(57) **CLAIM**

The ornamental design for a roofing tool, as shown and described.

DESCRIPTION

FIG. 1 shows a perspective view of the underside of the roofing tool of the present invention.

FIG. 2 shows an underside view of the roofing tool of the present invention.

FIG. 3 shows an overhead view of the roofing tool of the present invention.

FIG. 4 shows a first side view of the roofing tool of the present invention.

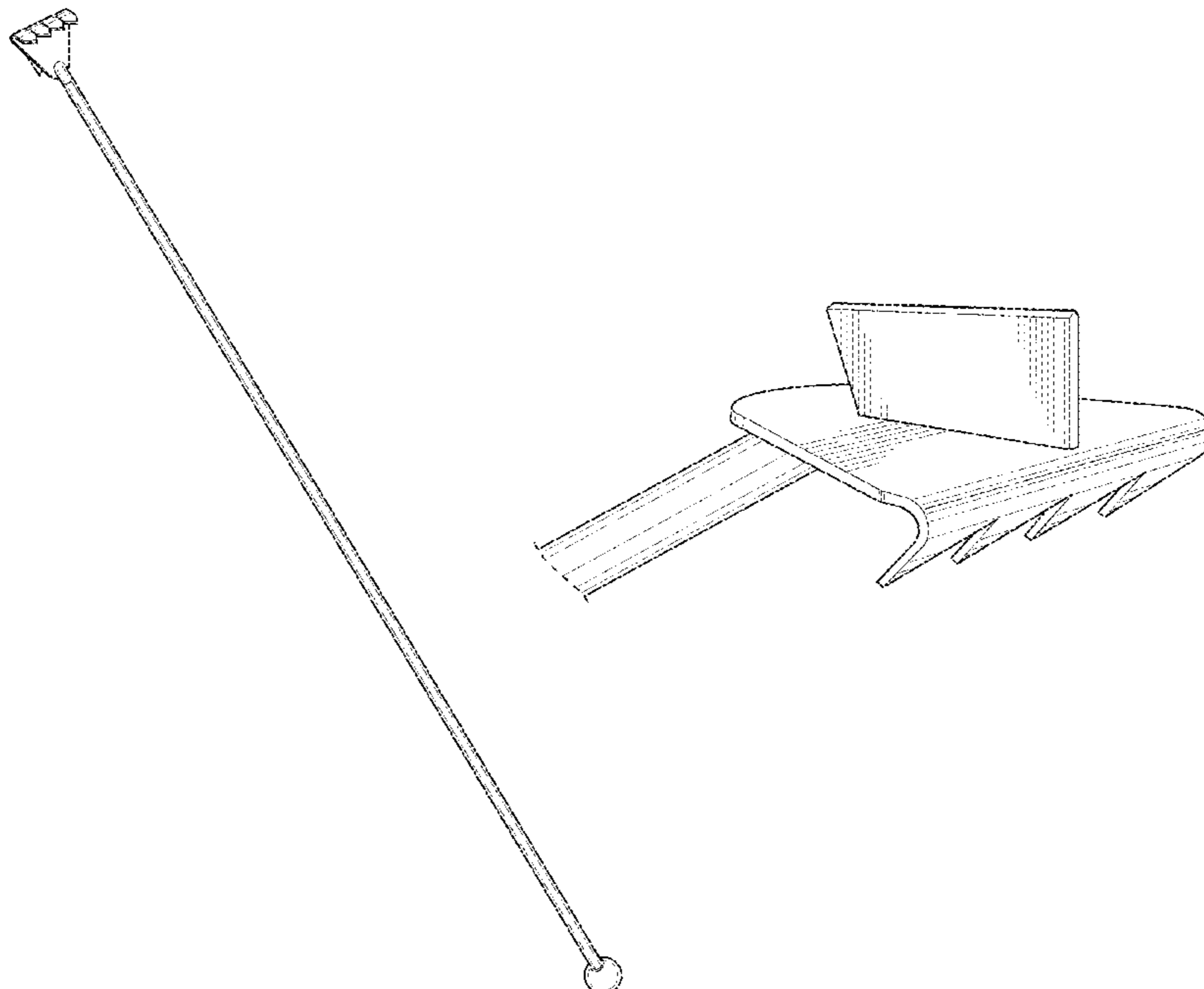
FIG. 5 shows a second side view of the roofing tool of the present invention.

FIG. 6 shows a first end view of the roofing tool of the present invention.

FIG. 7 shows a second end view of the roofing tool of the present invention; and,

FIG. 8 shows a close-up perspective view of the working end of the roofing tool of the present invention.

1 Claim, 4 Drawing Sheets



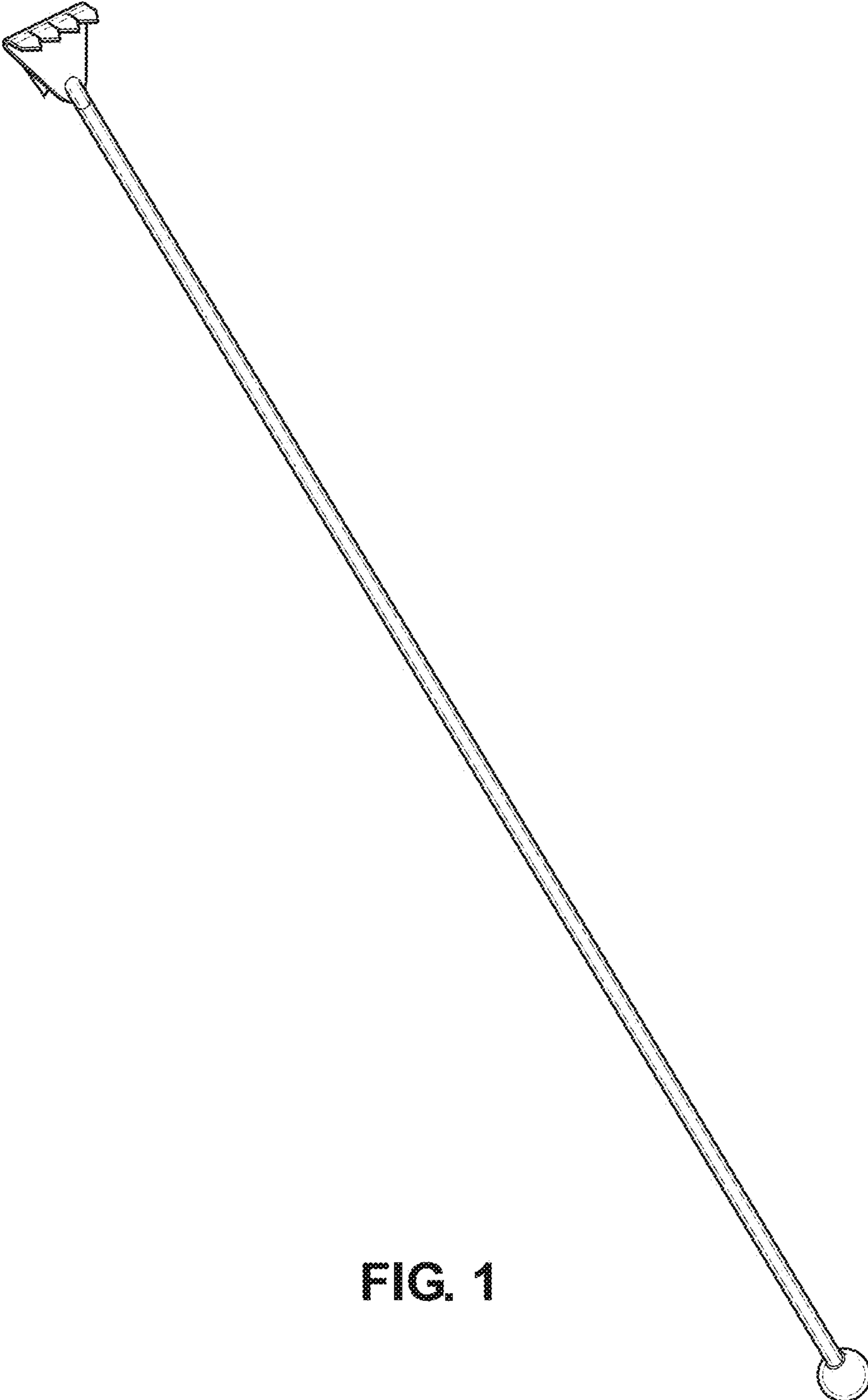


FIG. 1

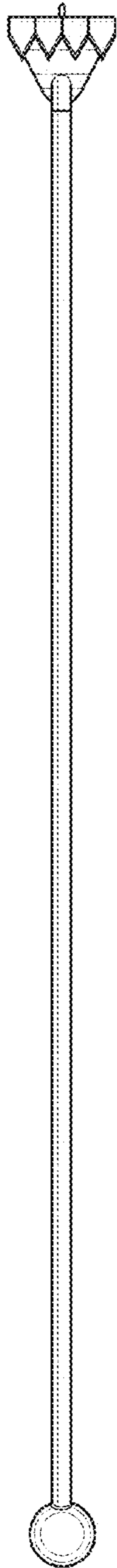


FIG. 2

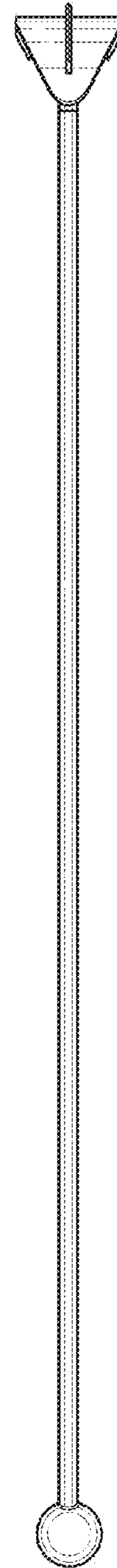


FIG. 3

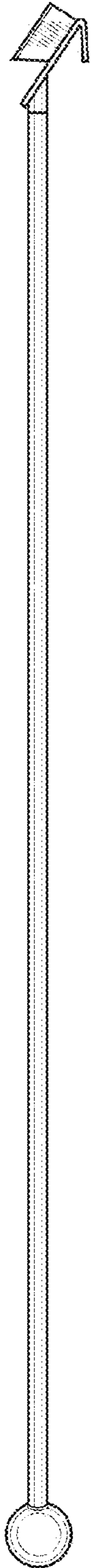


FIG. 4

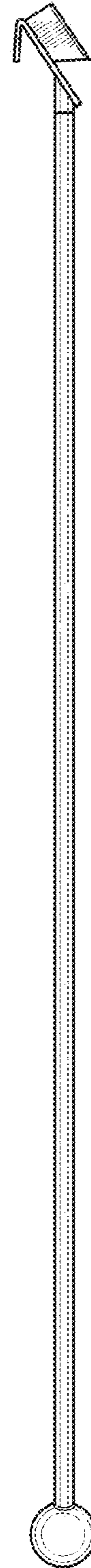


FIG. 5

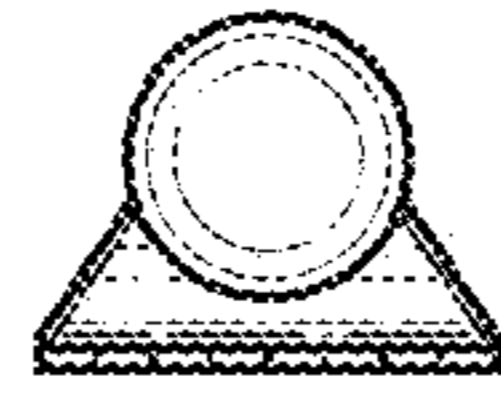


FIG. 6

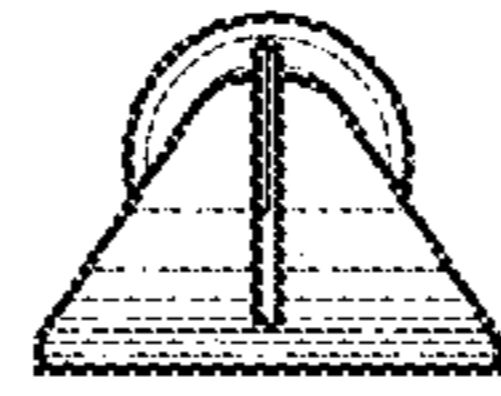


FIG. 7

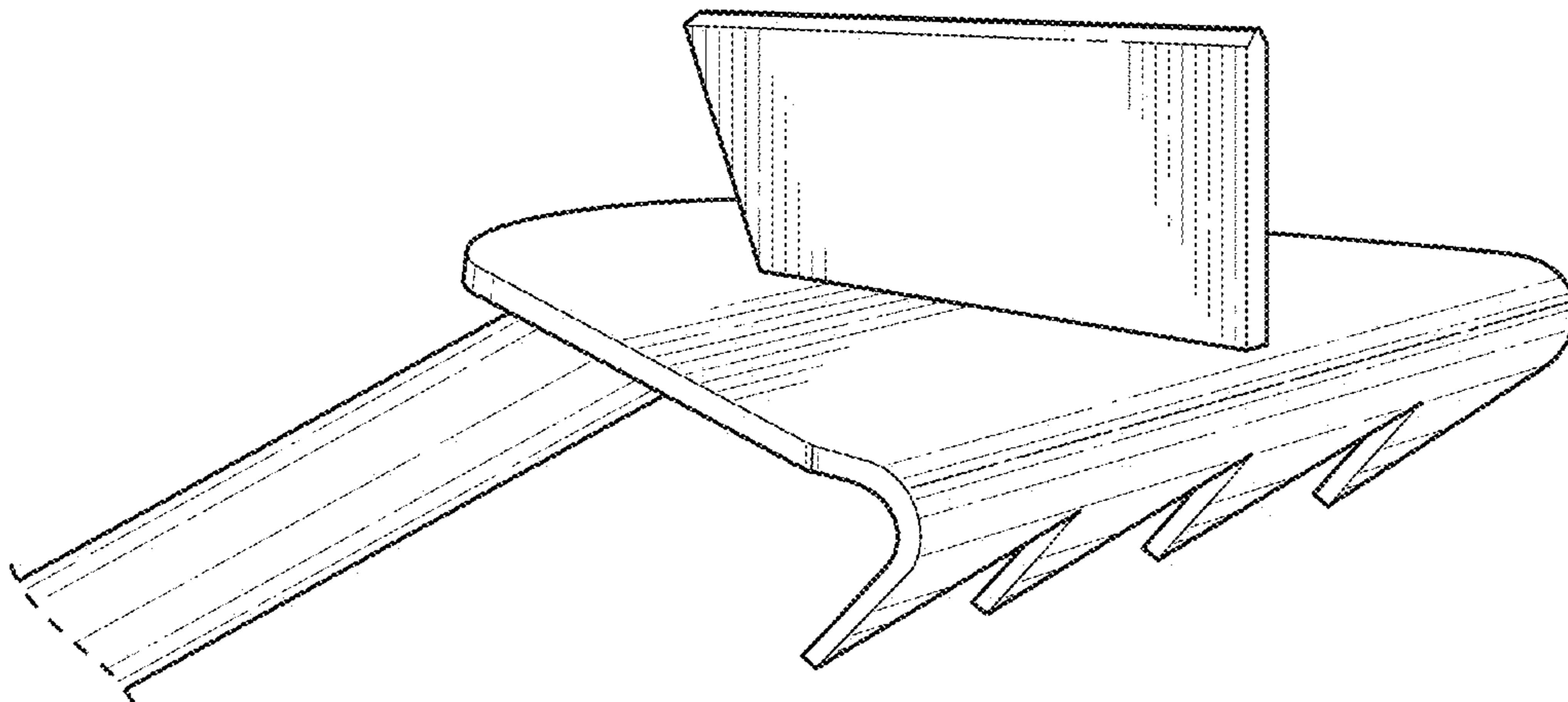


FIG. 8