

US00D757512S

(12) **United States Design Patent**
Chen

(10) **Patent No.:** **US D757,512 S**

(45) **Date of Patent:** **** May 31, 2016**

(54) **RATCHET WRENCH HEAD**

(71) Applicant: **Yi-Fu Chen**, Taichung (TW)

(72) Inventor: **Yi-Fu Chen**, Taichung (TW)

(**) Term: **15 Years**

(21) Appl. No.: **29/534,580**

(22) Filed: **Jul. 30, 2015**

(51) **LOC (10) Cl.** **08-05**

(52) **U.S. Cl.**
USPC **D8/25**

(58) **Field of Classification Search**
USPC D8/17, 21-29; 81/58, 58.2, 119, 124.4,
81/125.1, 186, 121.1, 60, 63.1
CPC B25B 13/02; B25B 13/08; B25B 13/04;
B25B 13/065; B25B 13/46; B25B 13/463
See application file for complete search history.

(56) **References Cited**

U.S. PATENT DOCUMENTS

- 4,762,033 A * 8/1988 Chow B25B 23/0035
81/177.85
- D431,763 S * 10/2000 Liu D8/25
- D478,795 S * 8/2003 Hsieh D8/25

- D479,109 S * 9/2003 Hsieh D8/25
- D605,008 S * 12/2009 Robinson D8/25
- D632,534 S * 2/2011 Cote D8/25
- D666,466 S * 9/2012 Gresham D8/25

* cited by examiner

Primary Examiner — Randall Gholson

(57) **CLAIM**

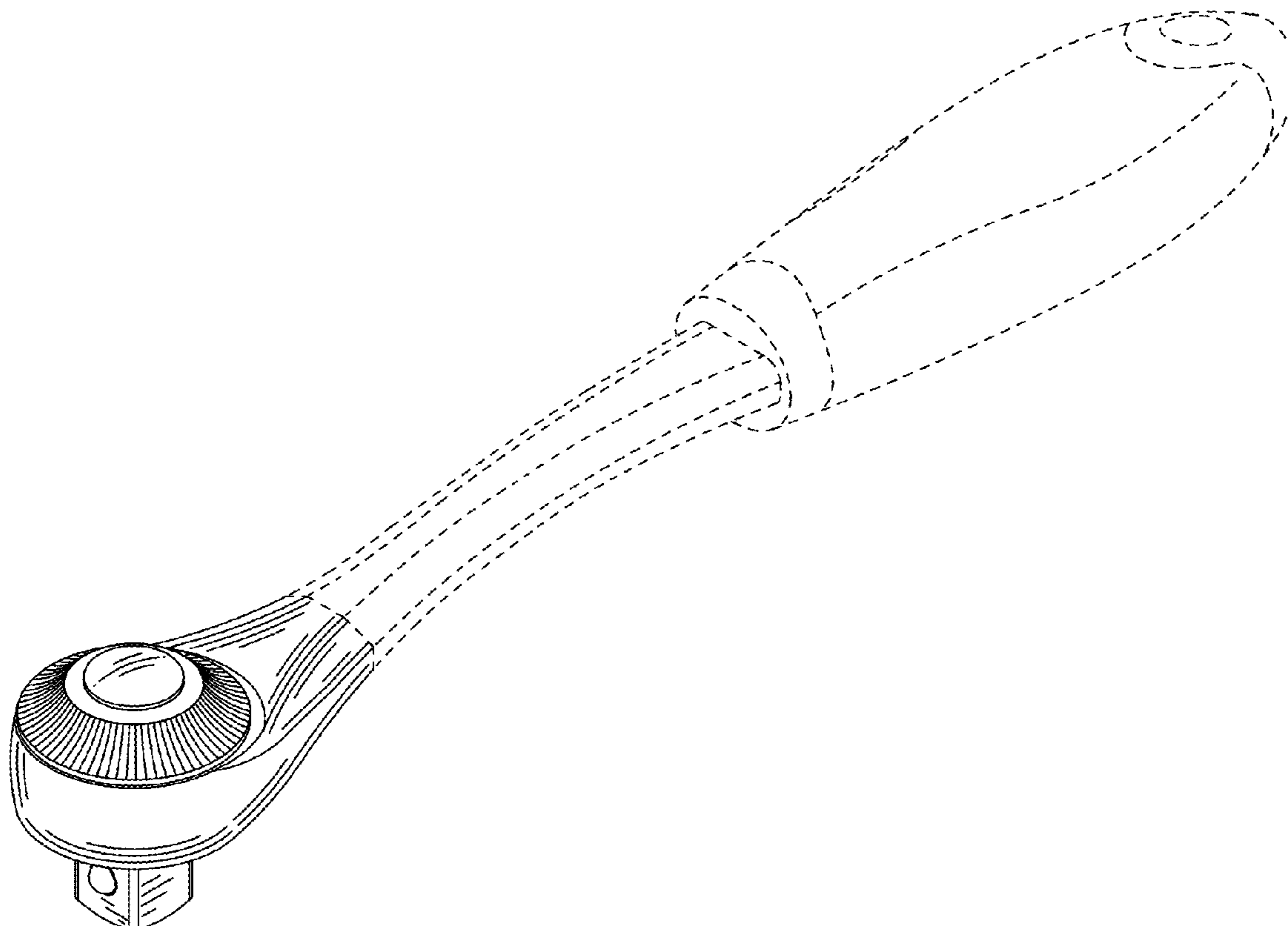
The ornamental design for a ratchet wrench head, as shown and described.

DESCRIPTION

FIG. 1 is a perspective view of a ratchet wrench head showing my new design;
 FIG. 2 is a front elevational view thereof;
 FIG. 3 is a rear elevational view thereof;
 FIG. 4 is a left side view thereof;
 FIG. 5 is a right side view thereof;
 FIG. 6 is a top plan view thereof; and,
 FIG. 7 is a bottom plan view thereof.

The ornamental design which is claimed is shown in solid lines in the drawings. In the drawings, the broken lines depict environmental subject matter only and form no part of the claimed design.

1 Claim, 4 Drawing Sheets



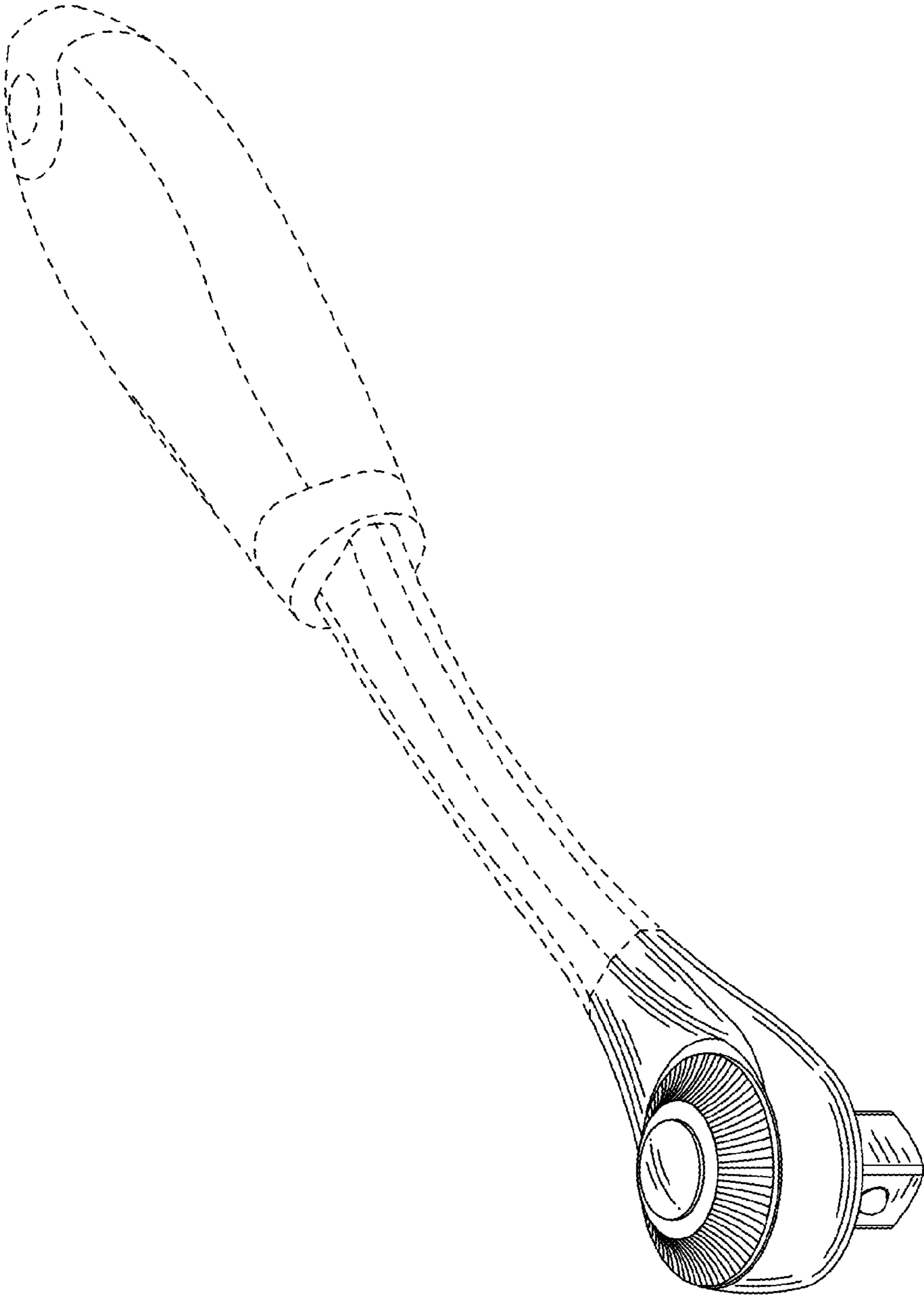


FIG. 1

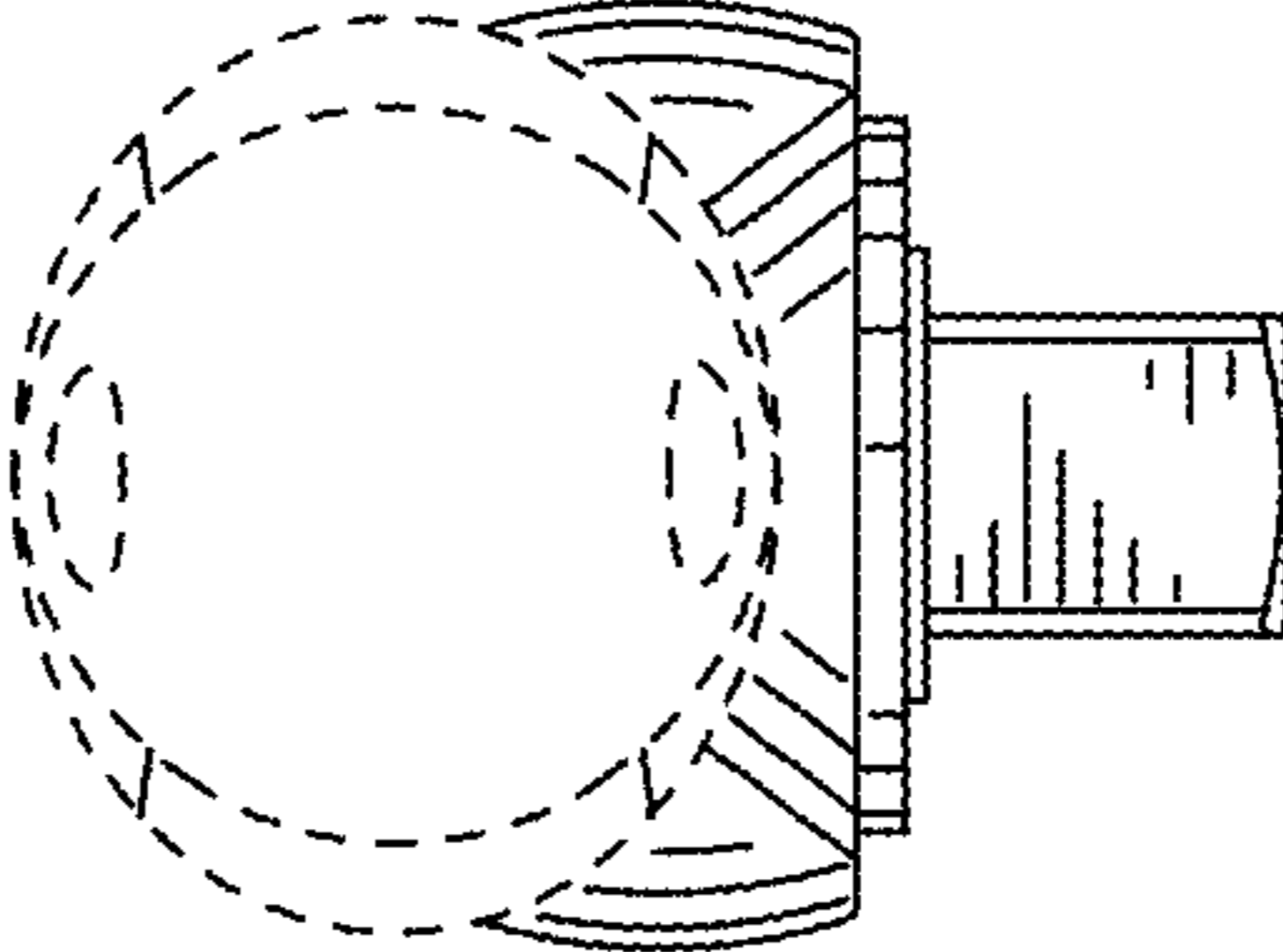


FIG.3

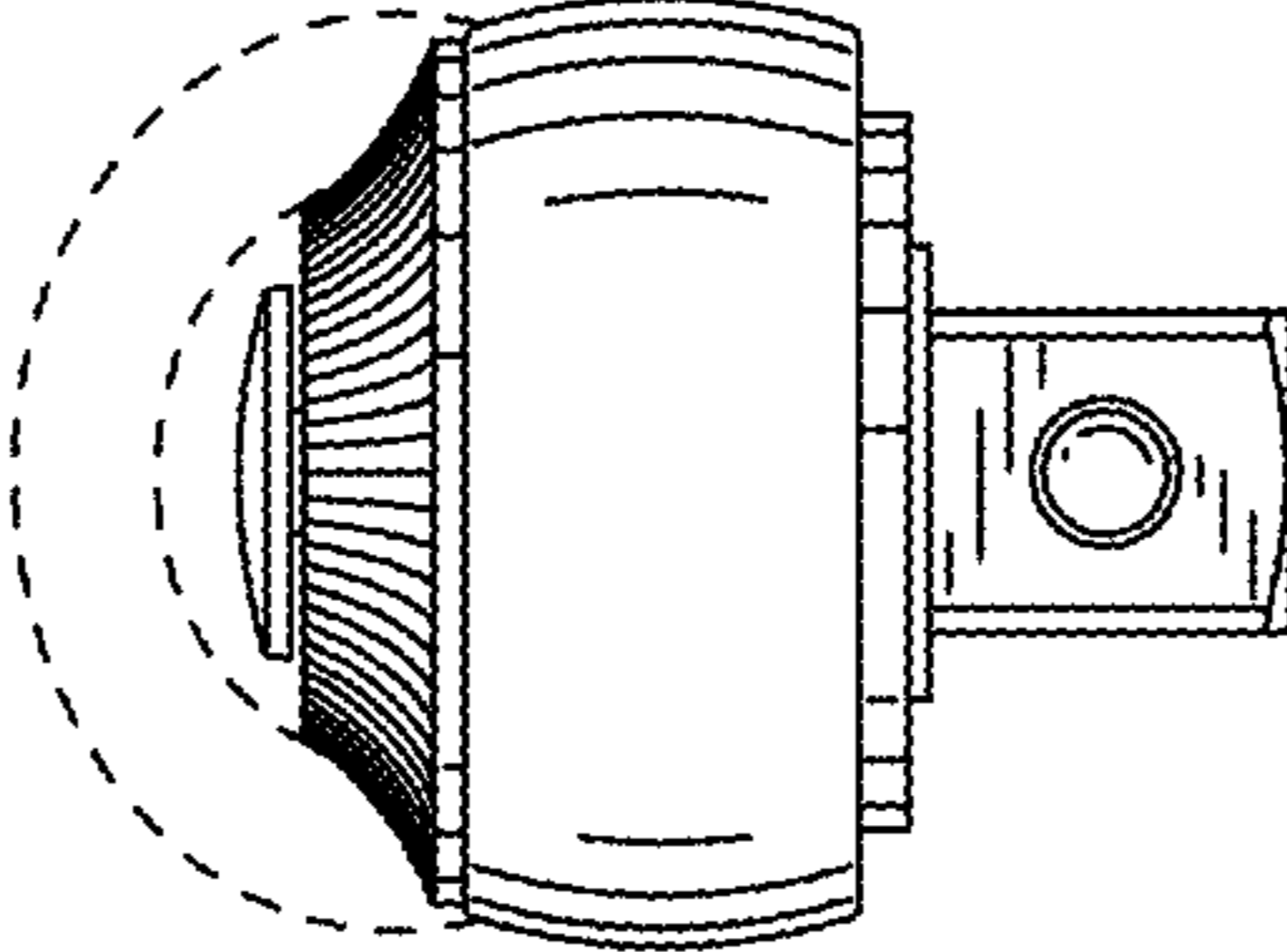


FIG.2

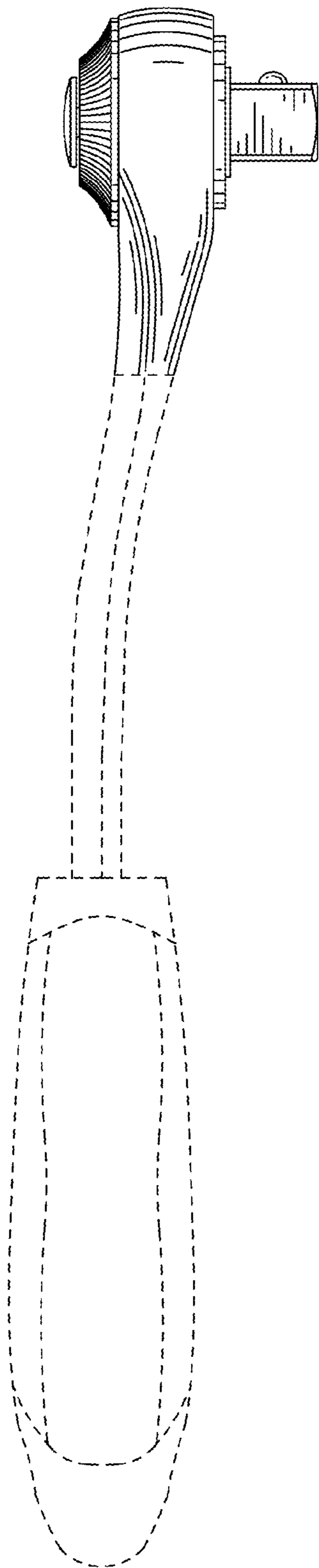


FIG. 4

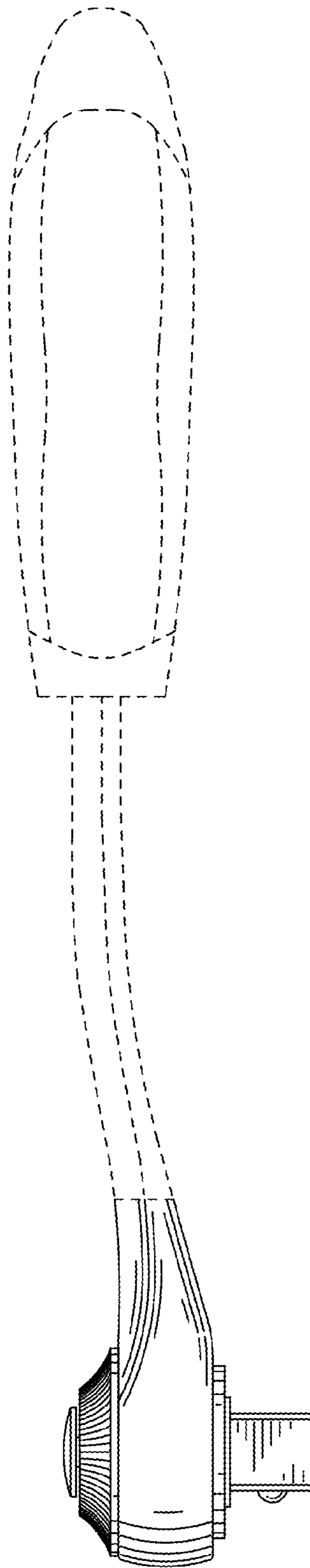


FIG. 5

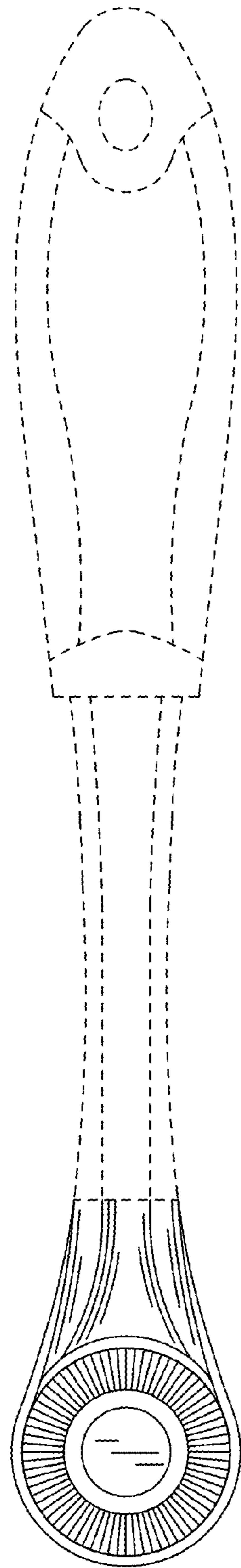


FIG.6

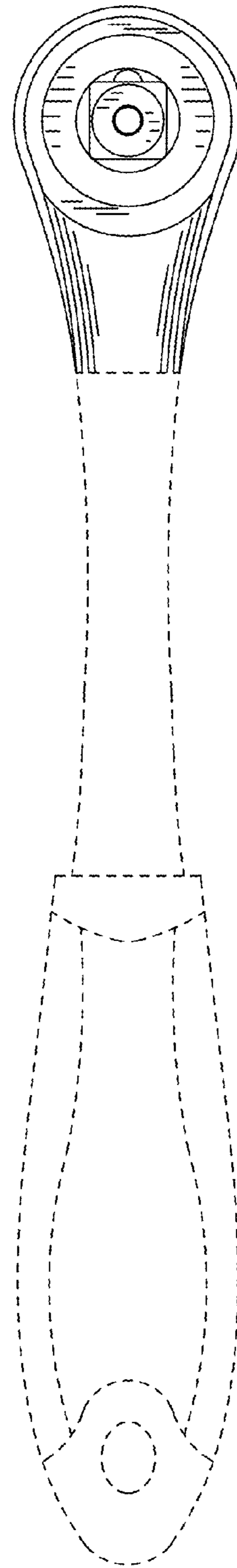


FIG.7