



US00D757511S

(12) **United States Design Patent**
Caglar

(10) **Patent No.:** **US D757,511 S**

(45) **Date of Patent:** **** May 31, 2016**

(54) **HANDLE GRIP**

(71) Applicant: **Stanley Black & Decker, Inc.**, New Britain, CT (US)

(72) Inventor: **Tolga Caglar**, Middletown, CT (US)

(73) Assignee: **Stanley Black & Decker Inc.**, New Britain, CT (US)

(**) Term: **14 Years**

(21) Appl. No.: **29/520,639**

(22) Filed: **Mar. 17, 2015**

(51) **LOC (10) Cl.** **08-05**

(52) **U.S. Cl.**
USPC **D8/22**

(58) **Field of Classification Search**
USPC D8/21, 22; 81/119, 179, 186, 165, 490,
81/170, 166, 167, 145, 146, 147, 129, 155,
81/133, 177.2, 52, 56, 57.15, 57.21,
81/DIG. 3; 16/110.1
CPC B25B 13/00; B25B 13/10
See application file for complete search history.

(56) **References Cited**

U.S. PATENT DOCUMENTS

D532,278 S * 11/2006 Shih D8/107
D562,103 S * 2/2008 Lin D8/107

D610,433 S * 2/2010 Garcia et al. D8/107
D614,930 S * 5/2010 Garcia et al. D8/83
D617,169 S * 6/2010 Robinson et al. D8/107
D617,617 S * 6/2010 Garcia et al. D8/22
D618,076 S * 6/2010 Garcia et al. D8/22
D633,357 S * 3/2011 Garcia et al. D8/83
D651,056 S * 12/2011 Robinson et al. D8/25
D714,112 S * 9/2014 Robinson et al. D8/22
D714,113 S * 9/2014 Robinson et al. D8/25
D714,115 S * 9/2014 Robinson et al. D8/25

* cited by examiner

Primary Examiner — Randall Gholson

(74) *Attorney, Agent, or Firm* — Gabriel A. Haboubi

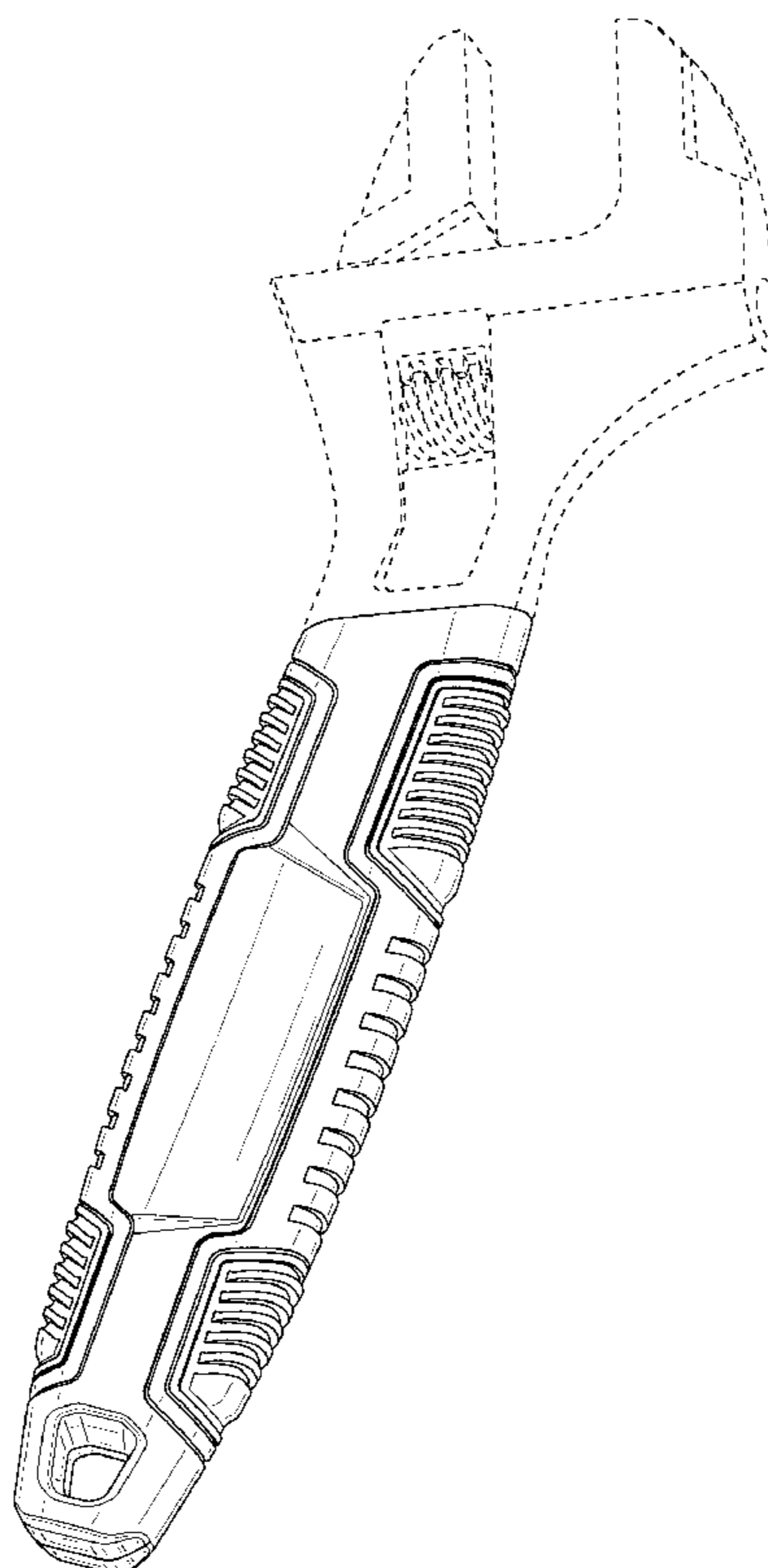
(57) **CLAIM**

The ornamental design for a handle grip, as shown and described.

DESCRIPTION

FIG. 1 is a perspective view of our new design.
FIG. 2 is a left side view thereof.
FIG. 3 is a right side view thereof.
FIG. 4 is a bottom view thereof.
FIG. 5 is a top view thereof.
FIG. 6 is a front view thereof; and,
FIG. 7 is a rear view thereof.

1 Claim, 5 Drawing Sheets



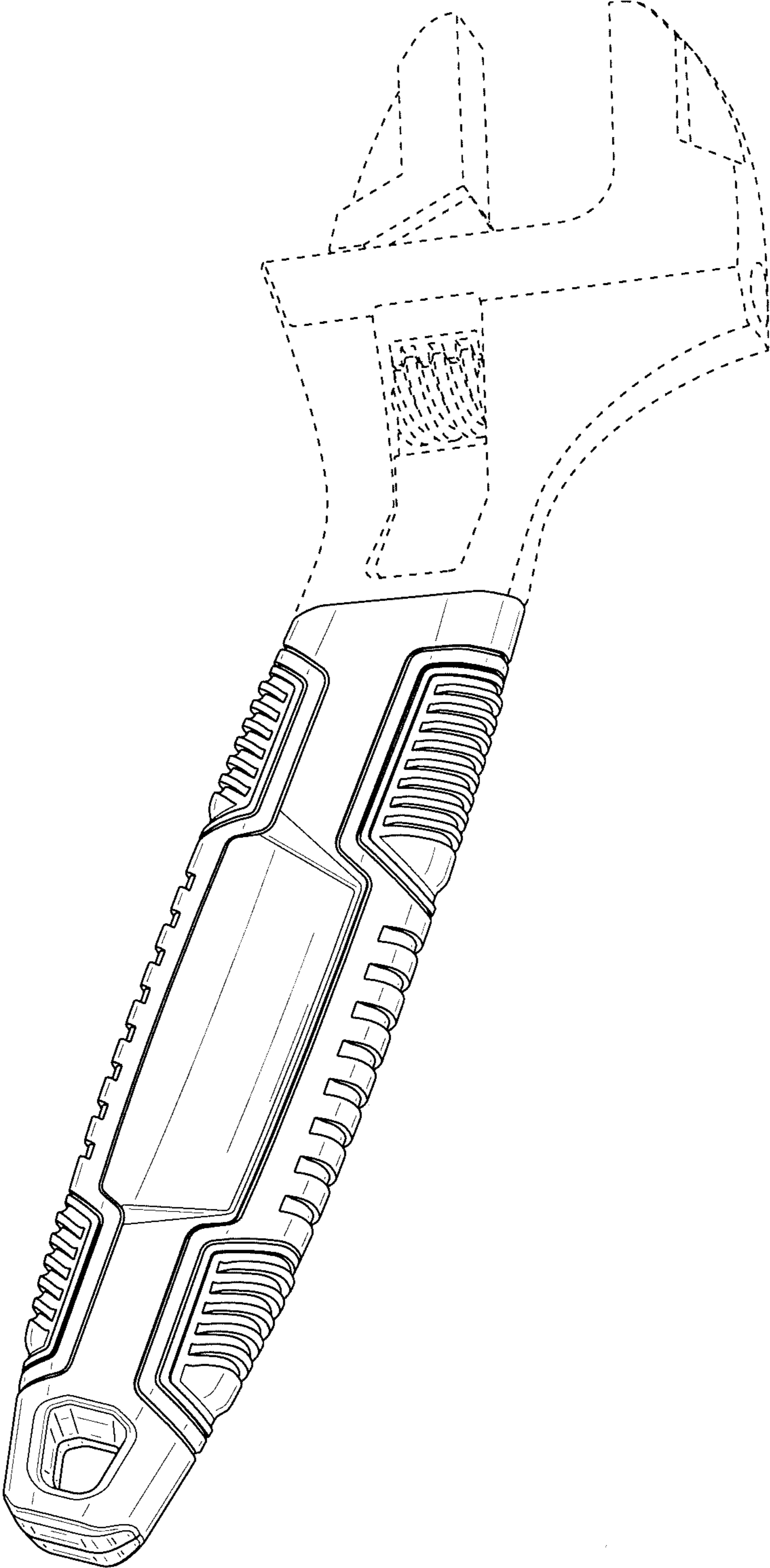


FIG. 1

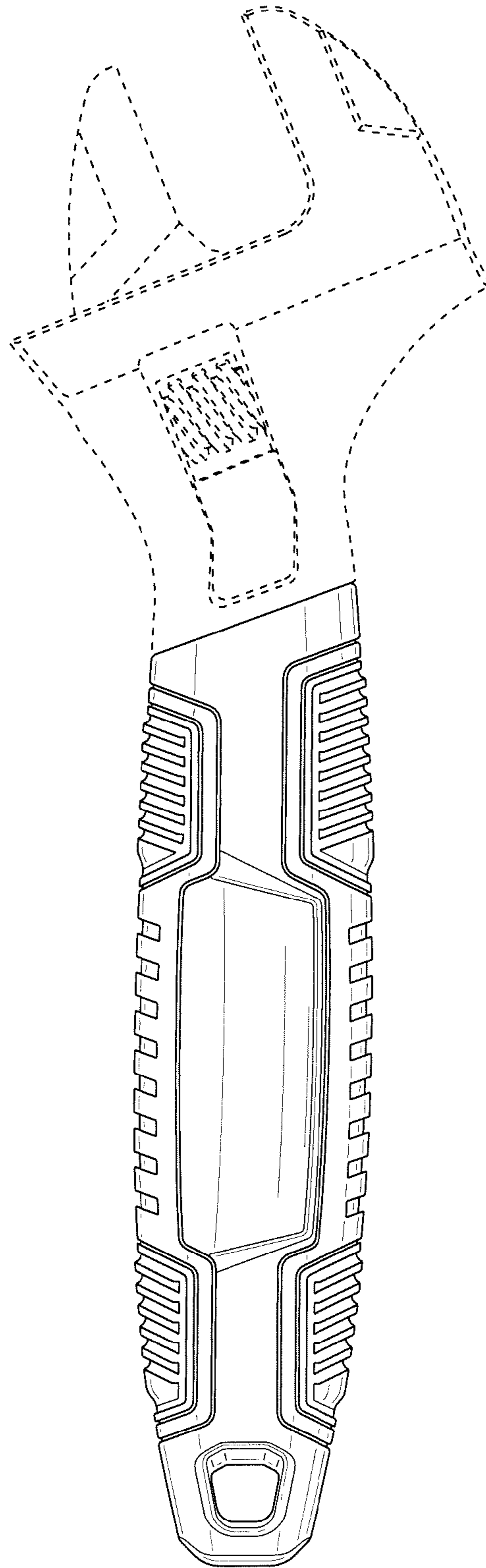


FIG. 2

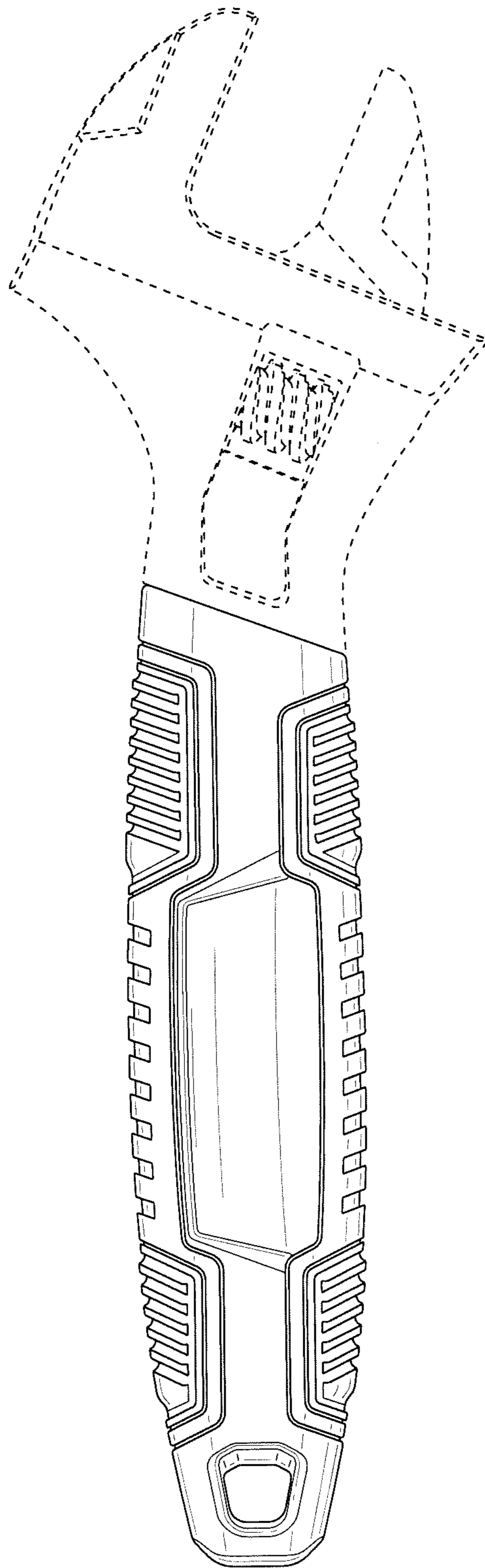


FIG. 3

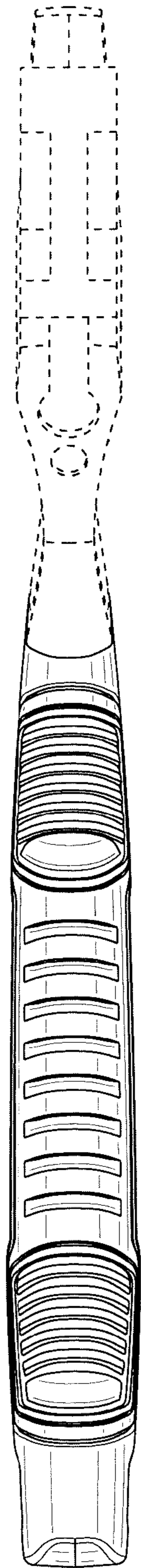


FIG. 4

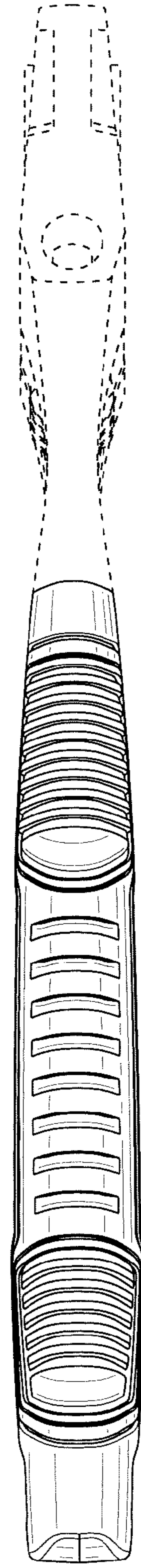


FIG. 5

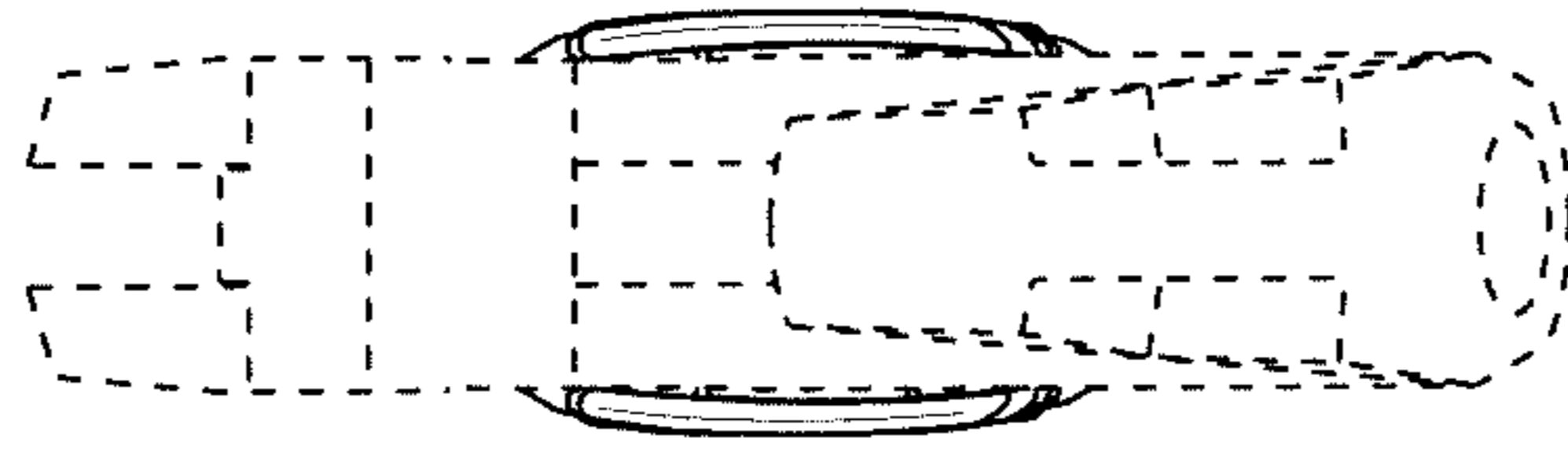


FIG. 6

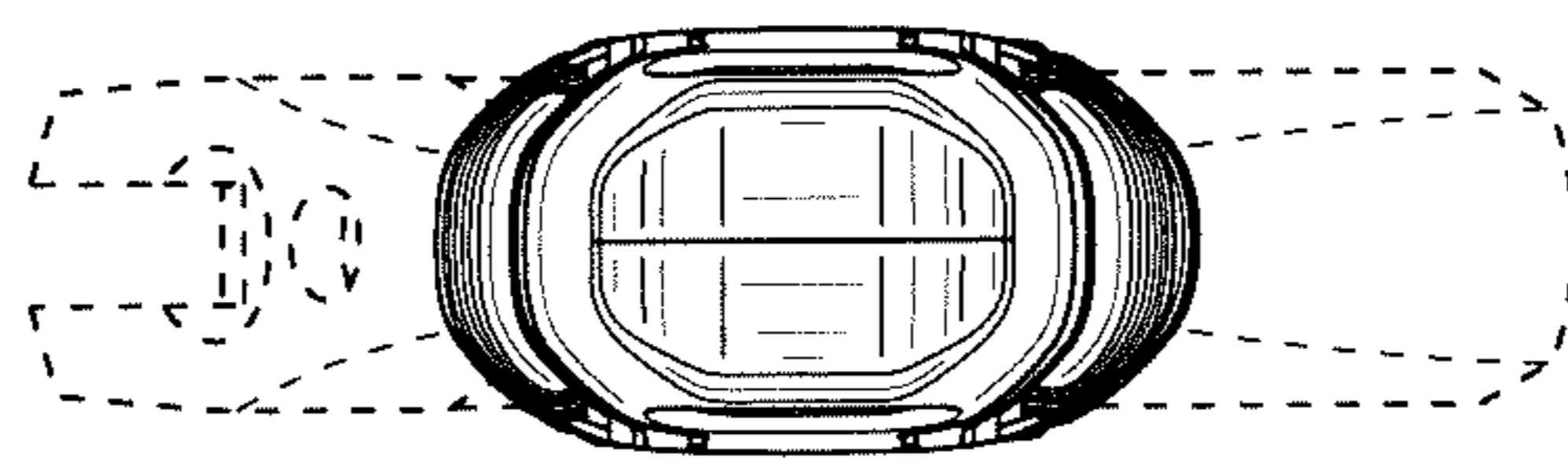


FIG. 7