



US00D757507S

(12) **United States Design Patent**
Chen

(10) **Patent No.:** **US D757,507 S**

(45) **Date of Patent:** **** May 31, 2016**

(54) **HOLDER FOR CUP-SHAPED CAPSULES**

(71) Applicant: **Fang Yin Chen**, Taichung (TW)

(72) Inventor: **Fang Yin Chen**, Taichung (TW)

(**) Term: **14 Years**

(21) Appl. No.: **29/501,400**

(22) Filed: **Sep. 3, 2014**

(51) **LOC (10) Cl.** **07-06**

(52) **U.S. Cl.**
USPC **D7/704**

(58) **Field of Classification Search**
USPC D6/317, 320, 558, 566, 629, 630, 675.5,
D6/676.2, 676.5, 677.2, 677.5, 678.4,
D6/680.3, 682.2, 686.6; D7/505,
D7/600.1-600.4, 601, 602, 630, 675.2,
D7/678, 690, 704; D19/75, 86, 90, 91,
D19/100; D32/55; 206/202, 456, 558, 564;
211/41.1, 41.11, 85.31; 220/23.4;
248/153
CPC A47B 43/00; A47B 45/00; A47B 47/03;
A47B 55/02; A47B 73/00; A47B 96/02;
A47B 97/00; A47F 5/0876; A47F 7/28;
A47G 19/08; A47G 29/00; B65D 75/00;
G02B 21/34

See application file for complete search history.

(56) **References Cited**

U.S. PATENT DOCUMENTS

D231,178 S *	4/1974	Wright	D6/407
D387,949 S *	12/1997	Bentson	99/426
D538,496 S *	3/2007	Plikuhn	D32/55
D568,056 S *	5/2008	Yarborough	D6/315
D639,613 S *	6/2011	Goodman	D19/90
D742,145 S *	11/2015	Hsu	D6/683.1

OTHER PUBLICATIONS

Function Junction, Euro Lid Organizer, publication date unknown, [site visited Dec. 16, 2015], Available from Internet, <URL: http://www.functionjunction.com/product/Euro-Lid-Organizer>.*
Overstock. KitchenAid Classic 3-piece Black Dish Rack. Publication date unknown. [site visited Jan. 20, 2016]. Available on the Internet URL: <http://www.overstock.com/Home-Garden/KitchenAid-Classic-3-piece-Black-Dish-Rack/10575034/product.html>.*

* cited by examiner

Primary Examiner — Thomas Johannes

Assistant Examiner — Bryan Reinholdt, Jr.

(74) *Attorney, Agent, or Firm* — Raymond Y. Chan; David and Raymond Patent Firm

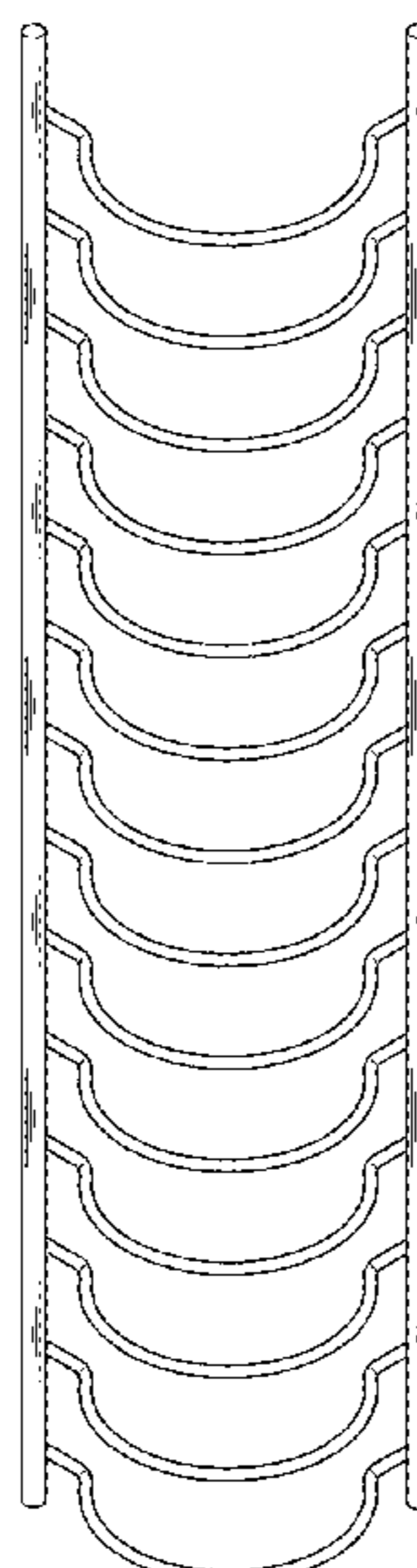
(57) **CLAIM**

The ornamental design for a holder for cup-shaped capsules, as shown and described.

DESCRIPTION

FIG. 1 is a perspective view of holder for cup-shaped capsules showing my new design;
FIG. 2 is a front view thereof;
FIG. 3 is a rear view thereof;
FIG. 4 is a right view thereof;
FIG. 5 is a left view thereof;
FIG. 6 is a top view thereof;
FIG. 7 is a bottom view thereof;
FIG. 8 is a perspective view showing, in broken lines, cup-shaped capsules on the holder;
FIG. 9 is an alternative perspective view showing, in broken lines, additional holder elements; and,
FIG. 10 is an alternative perspective view showing, in broken lines, multiple centrally disposed holder elements.
The broken lines in the drawing are included for the purpose of illustrating environment that forms no part of the claimed design.

1 Claim, 10 Drawing Sheets



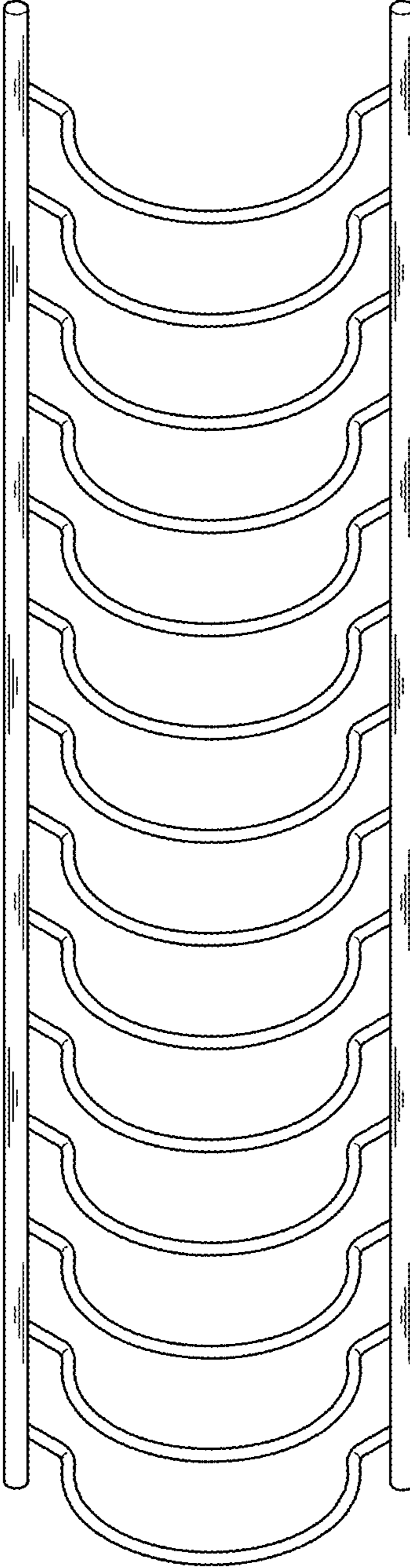


FIG. 1

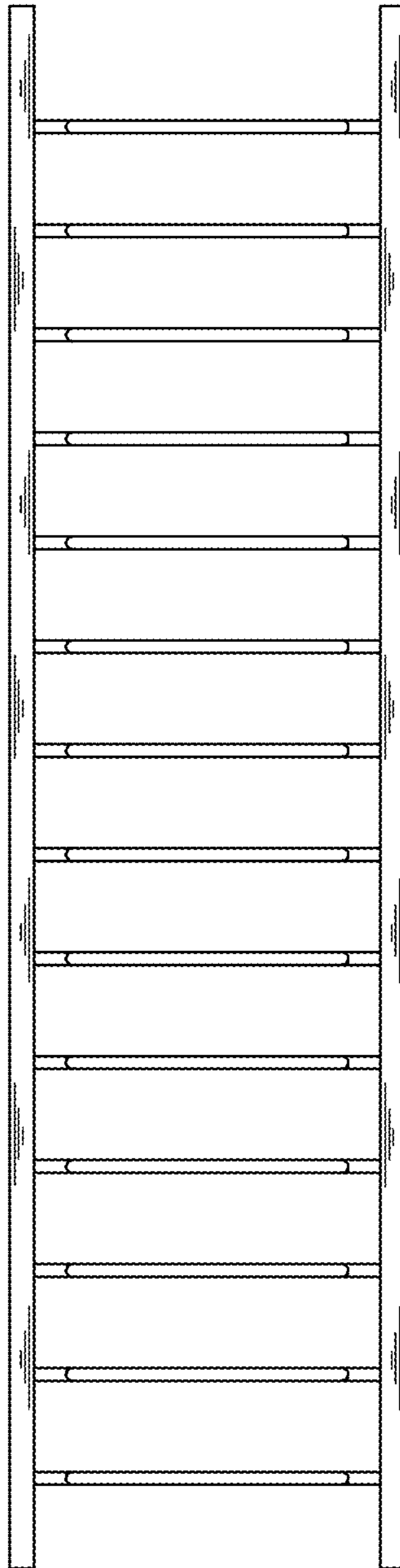


FIG.2

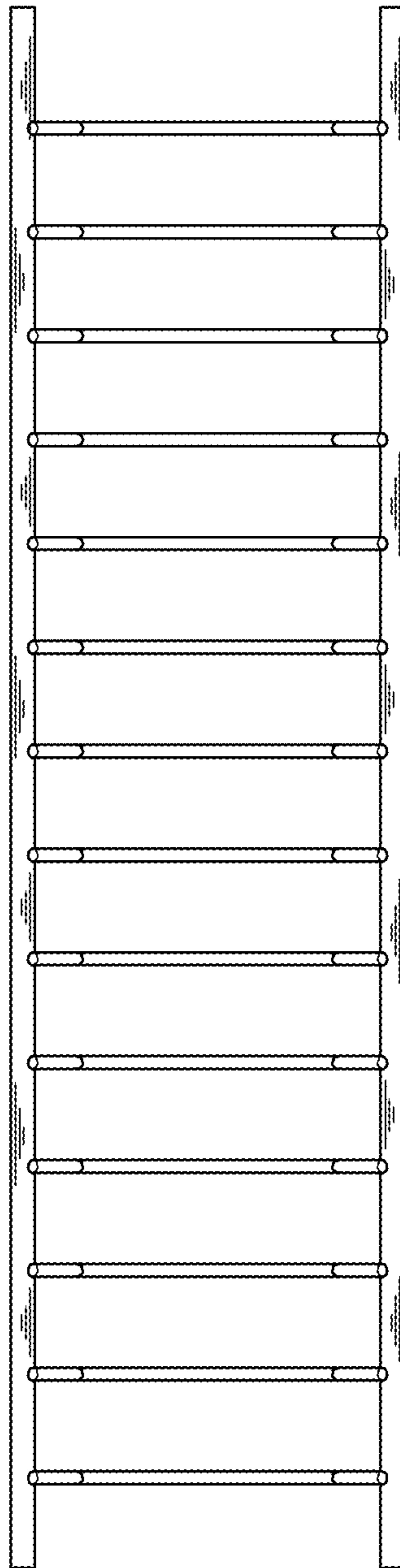


FIG.3

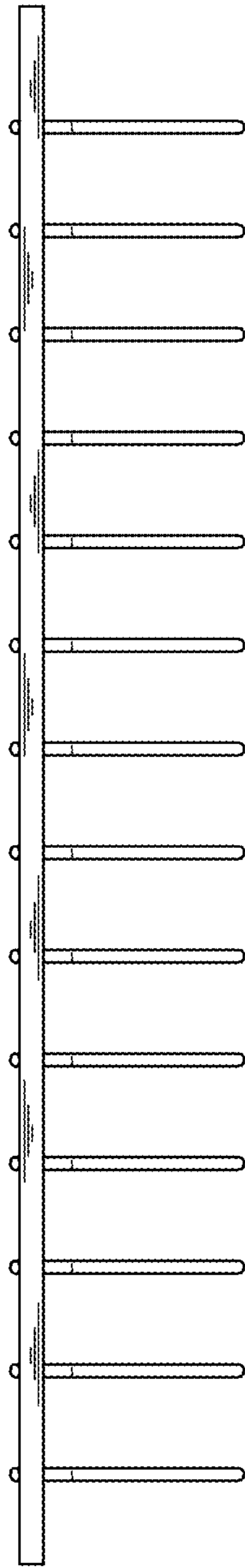


FIG. 4

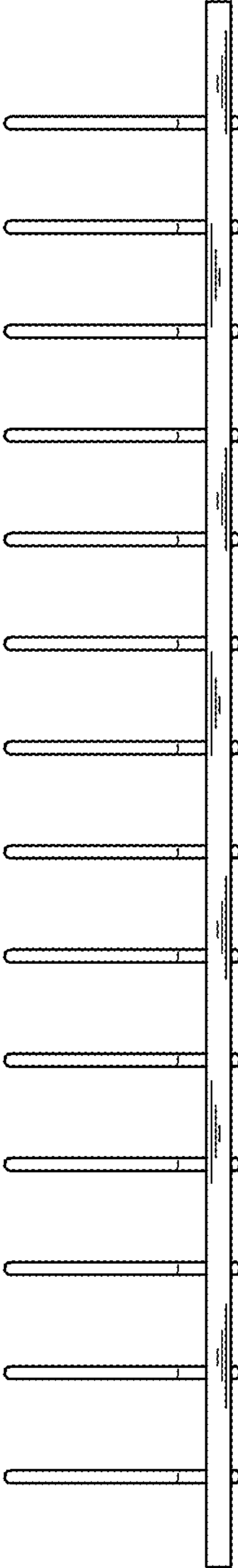


FIG.5

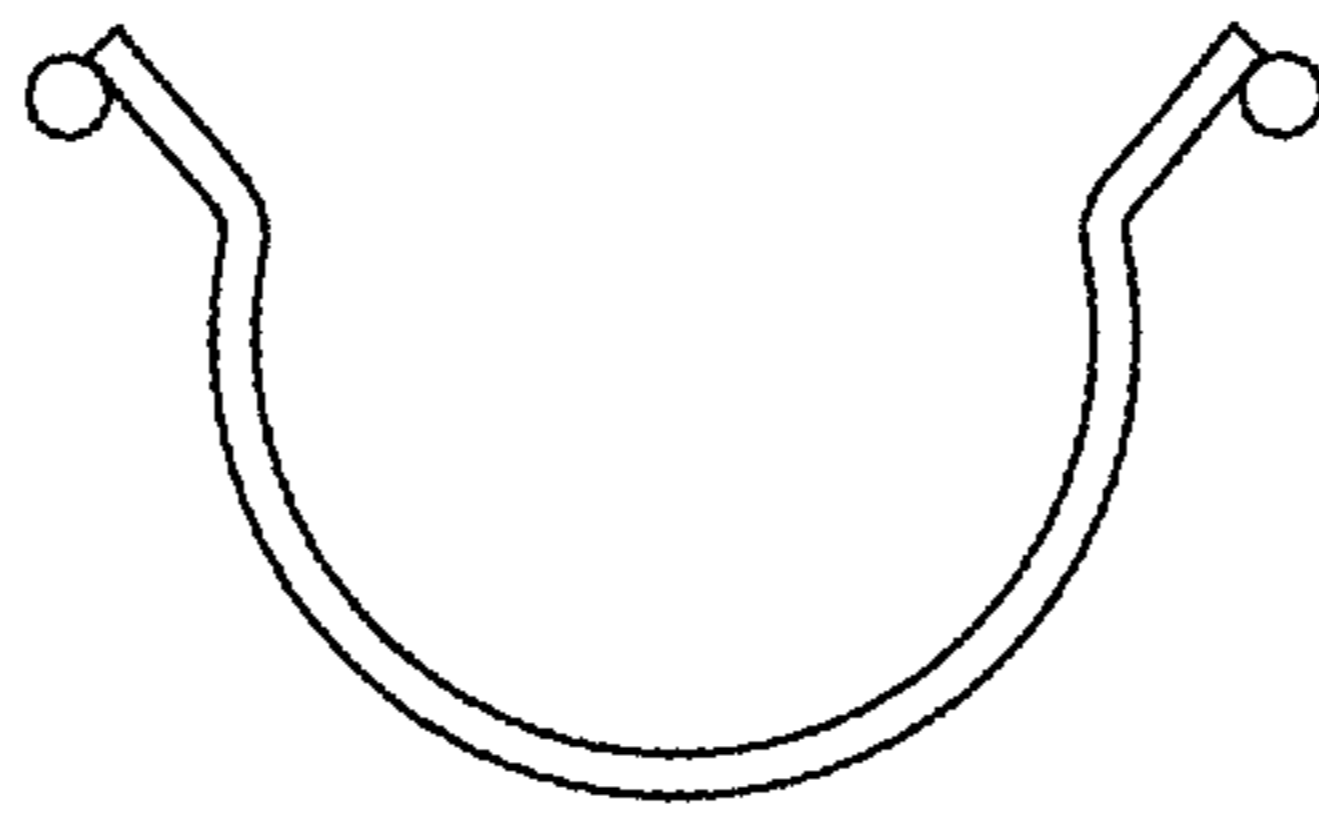


FIG.6

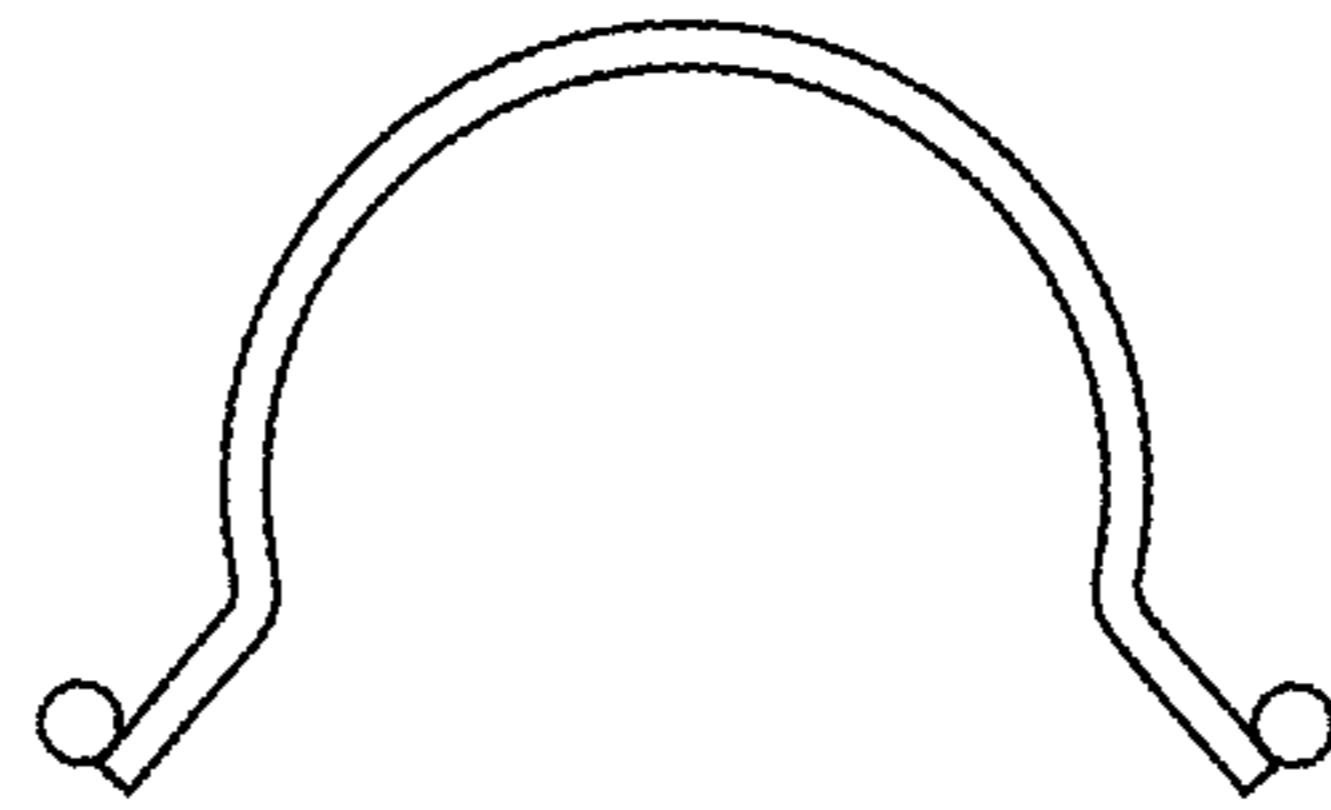


FIG.7

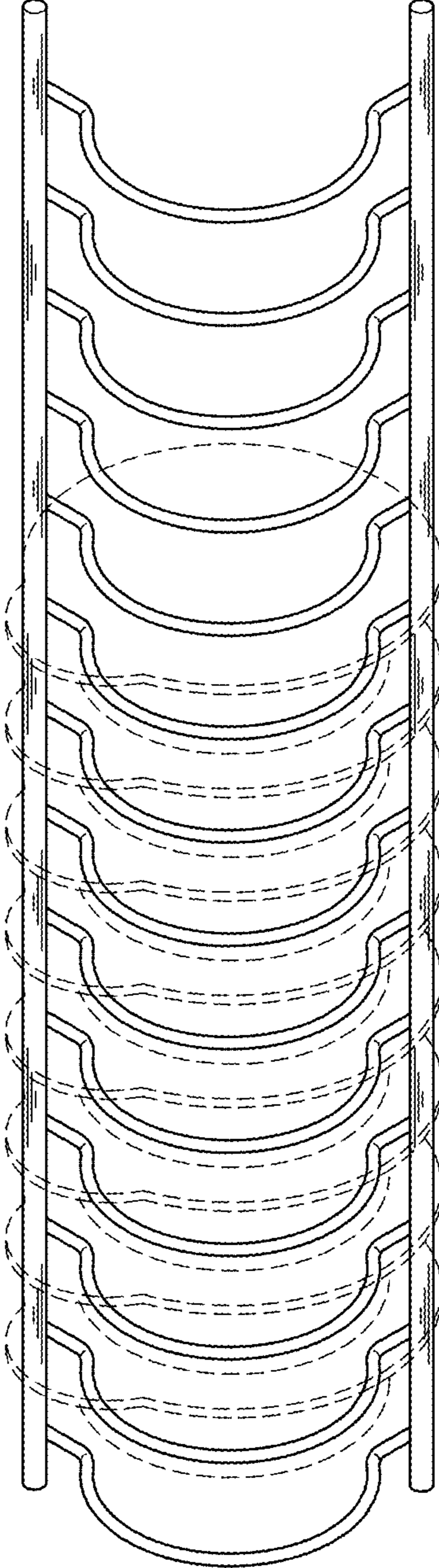


FIG.8

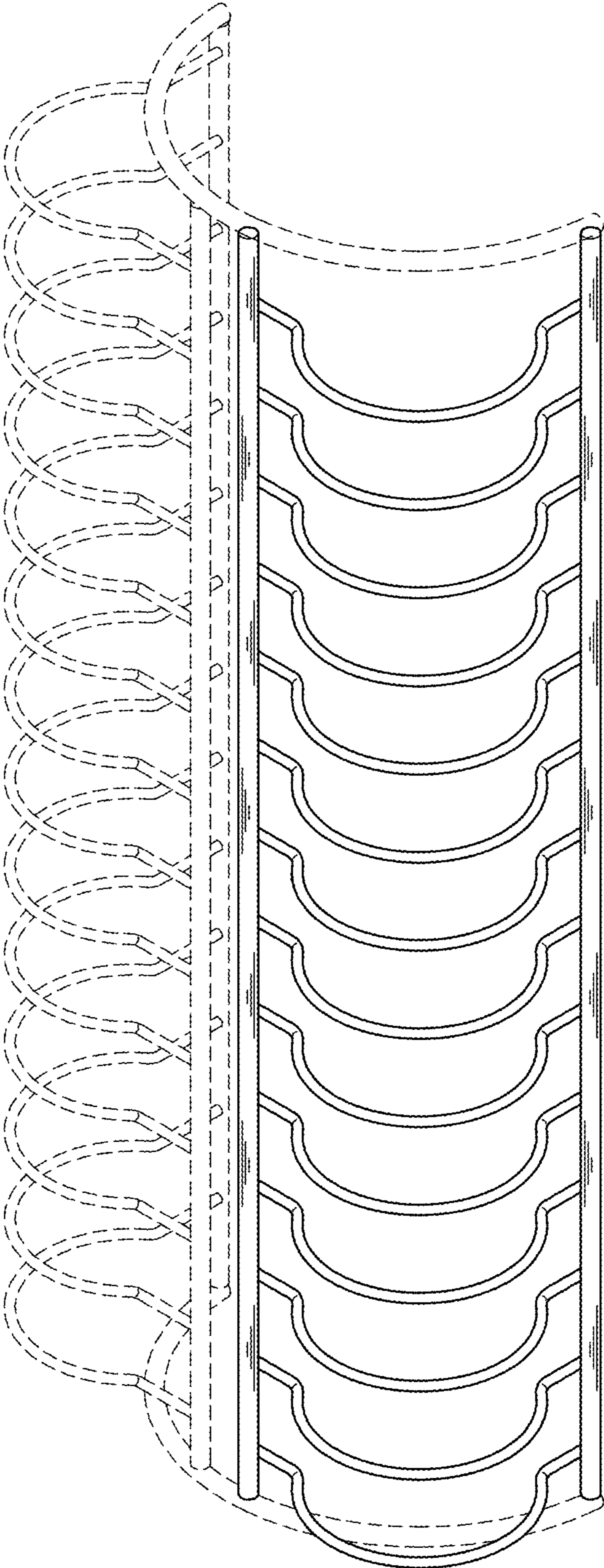


FIG.9

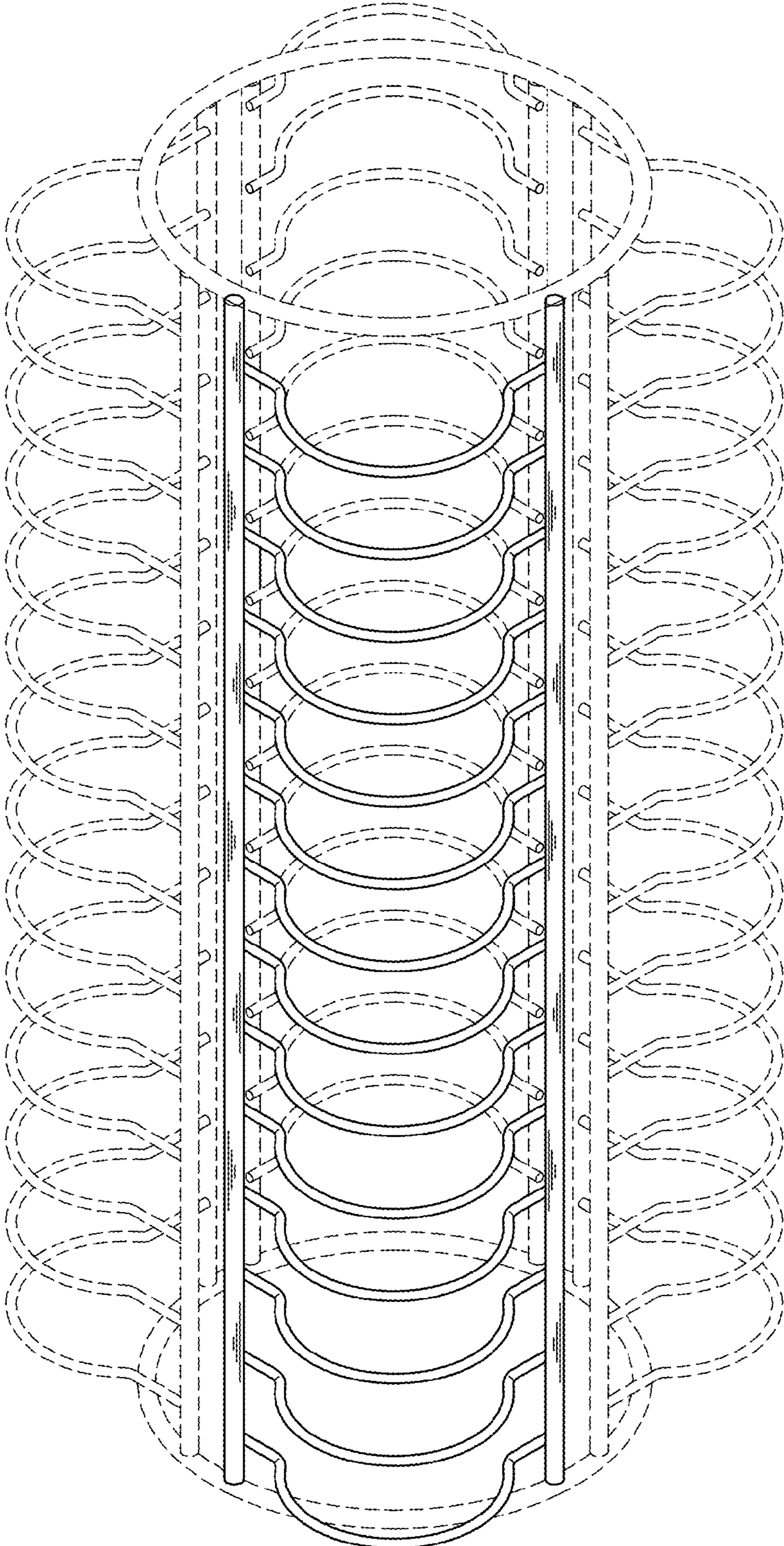


FIG.10