



US00D757506S

(12) **United States Design Patent**  
**Evans**

(10) **Patent No.:** **US D757,506 S**

(45) **Date of Patent:** **\*\* May 31, 2016**

(54) **CUTTING BOARD SETS AND CUTTING  
BOARDS**

(71) Applicant: **Damian Evans**, Brighton (GB)

(72) Inventor: **Damian Evans**, Brighton (GB)

(\*\*) Term: **14 Years**

(21) Appl. No.: **29/488,313**

(22) Filed: **Apr. 17, 2014**

(30) **Foreign Application Priority Data**

Oct. 17, 2013	(CN)	2013 3 0490846
Apr. 14, 2014	(EM)	002446757-0001
Apr. 14, 2014	(EM)	002446757-0002
Apr. 14, 2014	(EM)	002446757-0003
Apr. 14, 2014	(EM)	002446757-0004
Apr. 14, 2014	(EM)	002446757-0005

(51) **LOC (10) Cl.** ..... **07-04**

(52) **U.S. Cl.**  
USPC ..... **D7/698; D7/699**

(58) **Field of Classification Search**  
USPC ..... D7/543, 549, 550.1, 586, 673,  
D7/698-699; D32/55-57  
CPC ..... A47J 47/00; A47J 47/005; A47J 47/20;  
B26D 7/0006; B26D 7/018; B26D 7/20;  
B23D 21/00; B23K 37/04; B23K 37/053;  
B23Q 16/001; B26B 29/063; E03C 1/186  
See application file for complete search history.

(56) **References Cited**

**U.S. PATENT DOCUMENTS**

2,398,192	A *	4/1946	Scheminger, Jr.	....	B26B 29/063 83/762
3,058,503	A *	10/1962	Perakis	.....	B26B 29/063 83/764
4,133,238	A *	1/1979	Jacobs	.....	B26B 29/063 83/466.1
4,964,323	A *	10/1990	Fortney	.....	B26B 29/063 83/167
D348,591	S *	7/1994	Willis	.....	D7/673

D362,374	S *	9/1995	Roach	.....	D7/673
D623,029	S *	9/2010	Russell, II	.....	D7/698
D630,478	S *	1/2011	Bell	.....	D7/698
D665,635	S *	8/2012	Evans	.....	D7/698
D682,633	S *	5/2013	Evans	.....	D7/698
D686,047	S *	7/2013	Oh	.....	D7/698
D689,750	S *	9/2013	Wang	.....	D7/698
2009/0049596	A1 *	2/2009	Ferris	.....	E03C 1/186 4/514

\* cited by examiner

*Primary Examiner* — Ricky Pham

(74) *Attorney, Agent, or Firm* — Abelman, Frayne & Schwab

(57) **CLAIM**

The ornamental design for cutting board sets and cutting boards, as shown and described.

**DESCRIPTION**

FIG. 1 is a top front perspective view of a first embodiment of a cutting board set and cutting boards of my new design, FIG. 2 is a front elevation view thereof; FIG. 3 is a rear elevation view thereof; FIG. 4 is a right elevation view thereof; FIG. 5 is a left end elevation view thereof; FIG. 6 is a top plan view thereof; FIG. 7 is a bottom plan view thereof; FIG. 8 is a top front perspective view of a first set of a cutting board, shown separately for completeness of disclosure; FIG. 9 is a front elevation view thereof; Figure XX is an enlarged section taken along line X-X in FIGS. 9 and 44; Figure XXX is an enlarged fragmentary perspective view partially in section of the corner area where Section X-X is taken in FIGS. 9 and 44; FIG. 10 is a rear elevation view thereof; FIG. 11 is a right end elevation view thereof; FIG. 12 is a left end elevation view thereof; FIG. 13 is a top plan view thereof; FIG. 14 is a bottom plan view thereof; FIG. 15 is a top front perspective view of a second set of a cutting board, shown separately for completeness of disclosure;

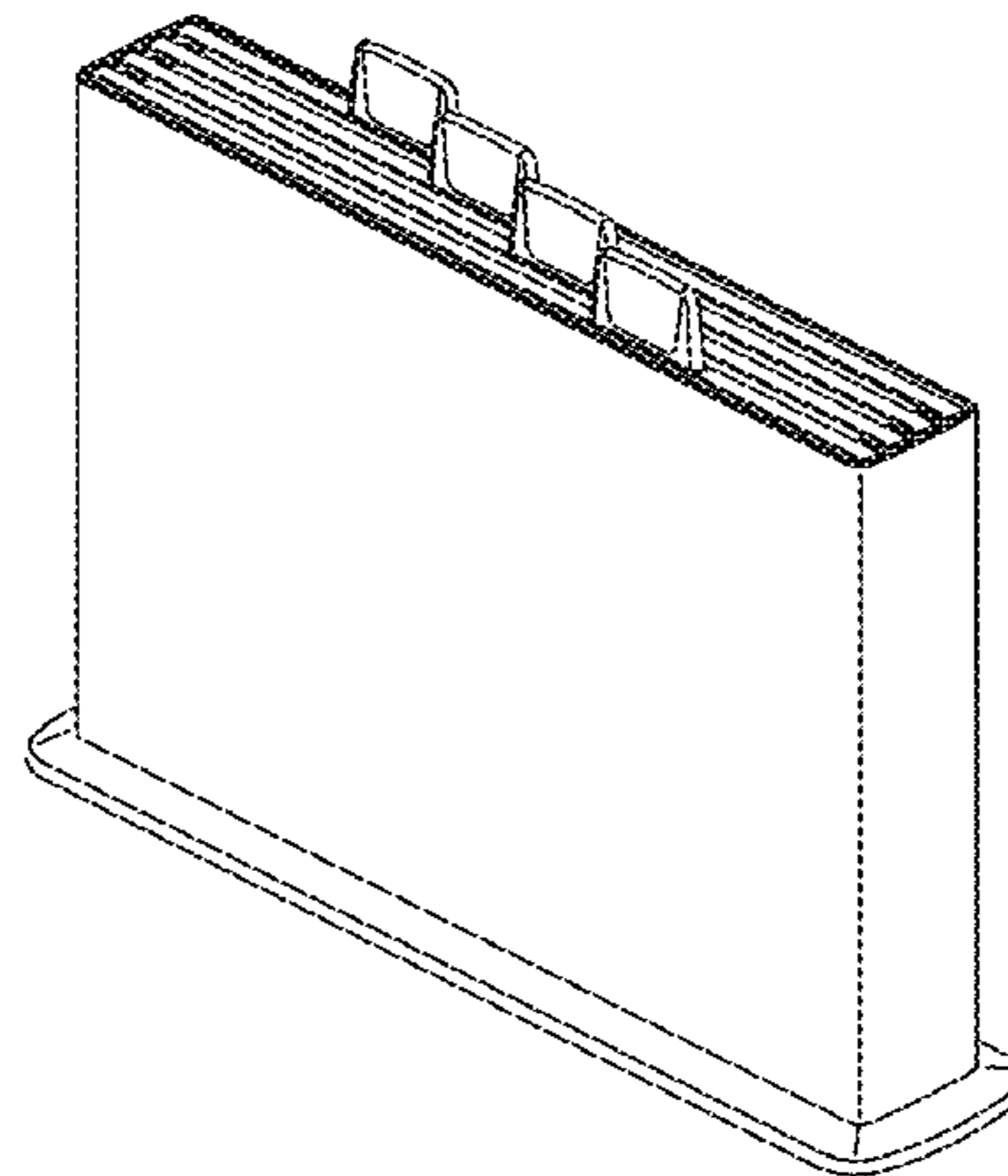
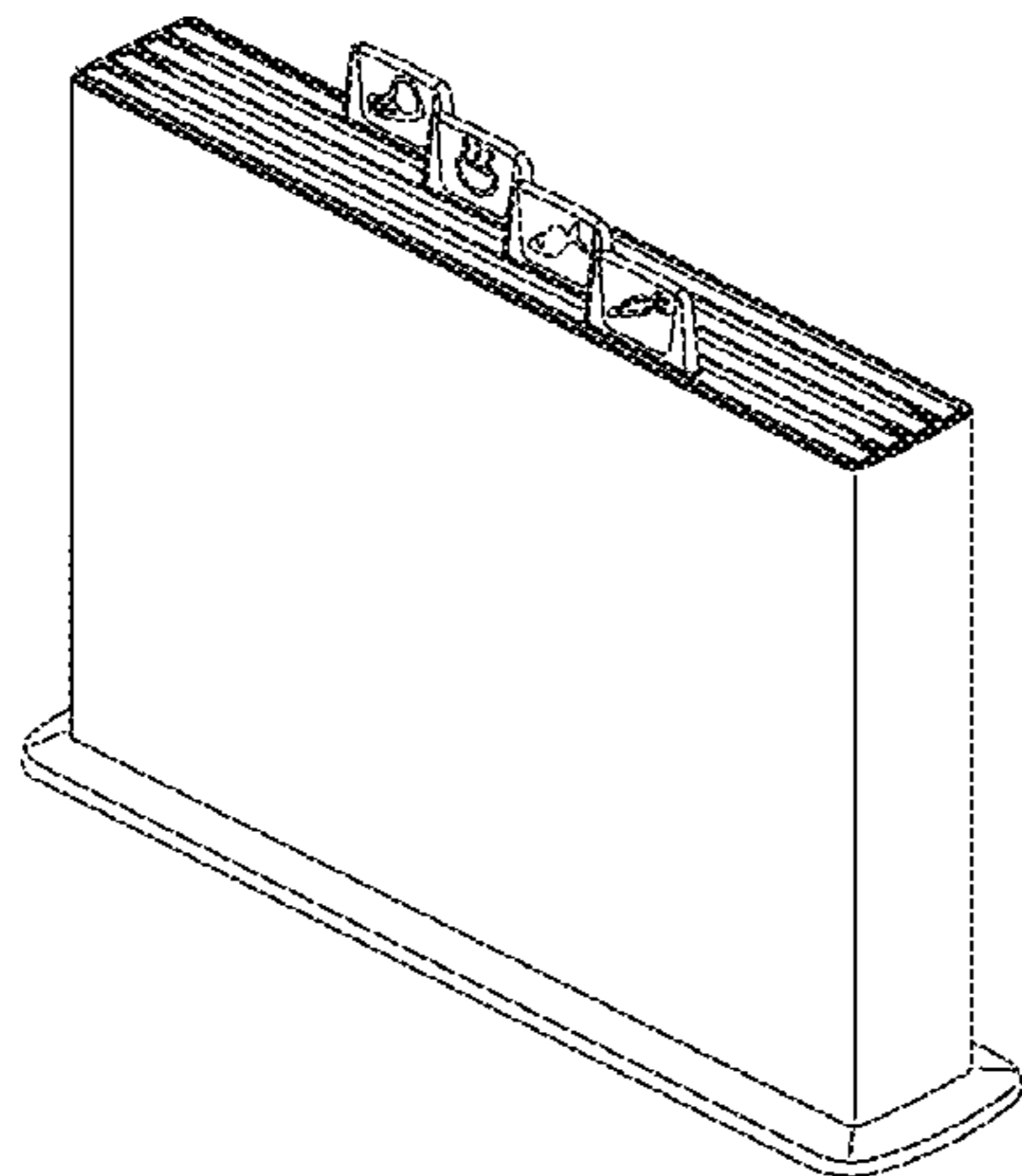


FIG. 16 is a front elevation view thereof;  
FIG. 17 is rear elevation view thereof;  
FIG. 18 is a right end elevation view thereof;  
FIG. 19 is a left end elevation view thereof;  
FIG. 20 is a top plan view thereof;  
FIG. 21 is a bottom plan view thereof;  
FIG. 22 is a top front perspective view of a third set of a cutting board, shown separately for completeness of disclosure;  
FIG. 23 is a front elevation view thereof;  
FIG. 24 is a rear elevation view thereof;  
FIG. 25 is a right end elevation view thereof;  
FIG. 26 is a left end elevation view thereof;  
FIG. 27 is a top plan view thereof;  
FIG. 28 is a bottom plan view thereof;  
FIG. 29 is a top front perspective view of a fourth set of a cutting board, shown separately for completeness of disclosure;  
FIG. 30 is a front elevation view thereof;  
Figure YY is an enlarged section taken along line Y-Y in FIGS. 30 and 65;  
Figure YYY is an enlarged fragmentary perspective view partially in section of the corner area where Section Y-Y is taken in FIGS. 30 and 65;  
FIG. 31 is a rear elevation view thereof;  
FIG. 32 is a right end elevation view thereof;  
FIG. 33 is a left end elevation view thereof;  
FIG. 34 is a top plan view thereof;  
FIG. 35 is a bottom plan view thereof;  
FIG. 36 is a top front perspective view of a second embodiment of my new design,  
FIG. 37 is a front elevation view thereof;  
FIG. 38 is a rear elevation view thereof;  
FIG. 39 is a right elevation view thereof;  
FIG. 40 is a left end elevation view thereof;  
FIG. 41 is a top plan view thereof;  
FIG. 42 is a bottom plan view thereof;

FIG. 43 is a top front perspective view of a first set of a cutting board of the second embodiment, shown separately for completeness of disclosure;  
FIG. 44 is a front elevation view thereof;  
FIG. 45 is a rear elevation view thereof;  
FIG. 46 is a right end elevation view thereof;  
FIG. 47 is a left end elevation view thereof;  
FIG. 48 is a top plan view thereof;  
FIG. 49 is a bottom plan view thereof;  
FIG. 50 is a top front perspective view of a second set of a cutting board of the second embodiment, shown separately for completeness of disclosure;  
FIG. 51 is a front elevation view thereof;  
FIG. 52 is rear elevation view thereof;  
FIG. 53 is a right end elevation view thereof;  
FIG. 54 is a left end elevation view thereof;  
FIG. 55 is a top plan view thereof;  
FIG. 56 is a bottom plan view thereof;  
FIG. 57 is a top front perspective view of a third set of a cutting board of the second embodiment, shown separately for completeness of disclosure;  
FIG. 58 is a front elevation view thereof;  
FIG. 59 is a rear elevation view thereof;  
FIG. 60 is a right end elevation view thereof;  
FIG. 61 is a left end elevation view thereof;  
FIG. 62 is a top plan view thereof;  
FIG. 63 is a bottom plan view thereof;  
FIG. 64 is a top front perspective view of a fourth set of a cutting board of the second embodiment, shown separately for completeness of disclosure;  
FIG. 65 is a front elevation view thereof;  
FIG. 66 is a rear elevation view thereof;  
FIG. 67 is a right end elevation view thereof;  
FIG. 68 is a left end elevation view thereof;  
FIG. 69 is a top plan view thereof; and,  
FIG. 70 is a bottom plan view thereof.  
The broken lines shown in the drawings are for illustrative purposes only and form no part of the claimed design.

**1 Claim, 30 Drawing Sheets**



FIG. 1

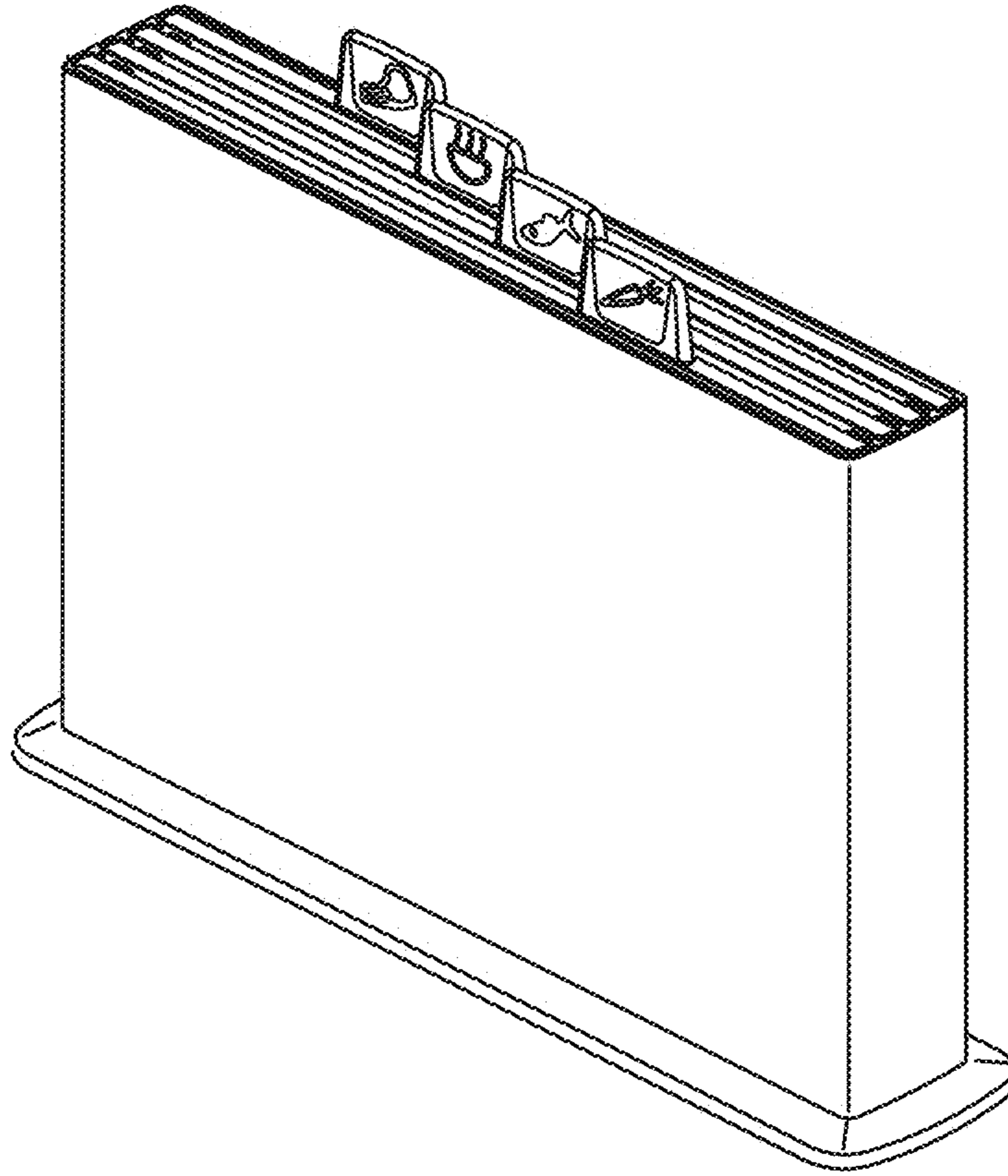


FIG. 2

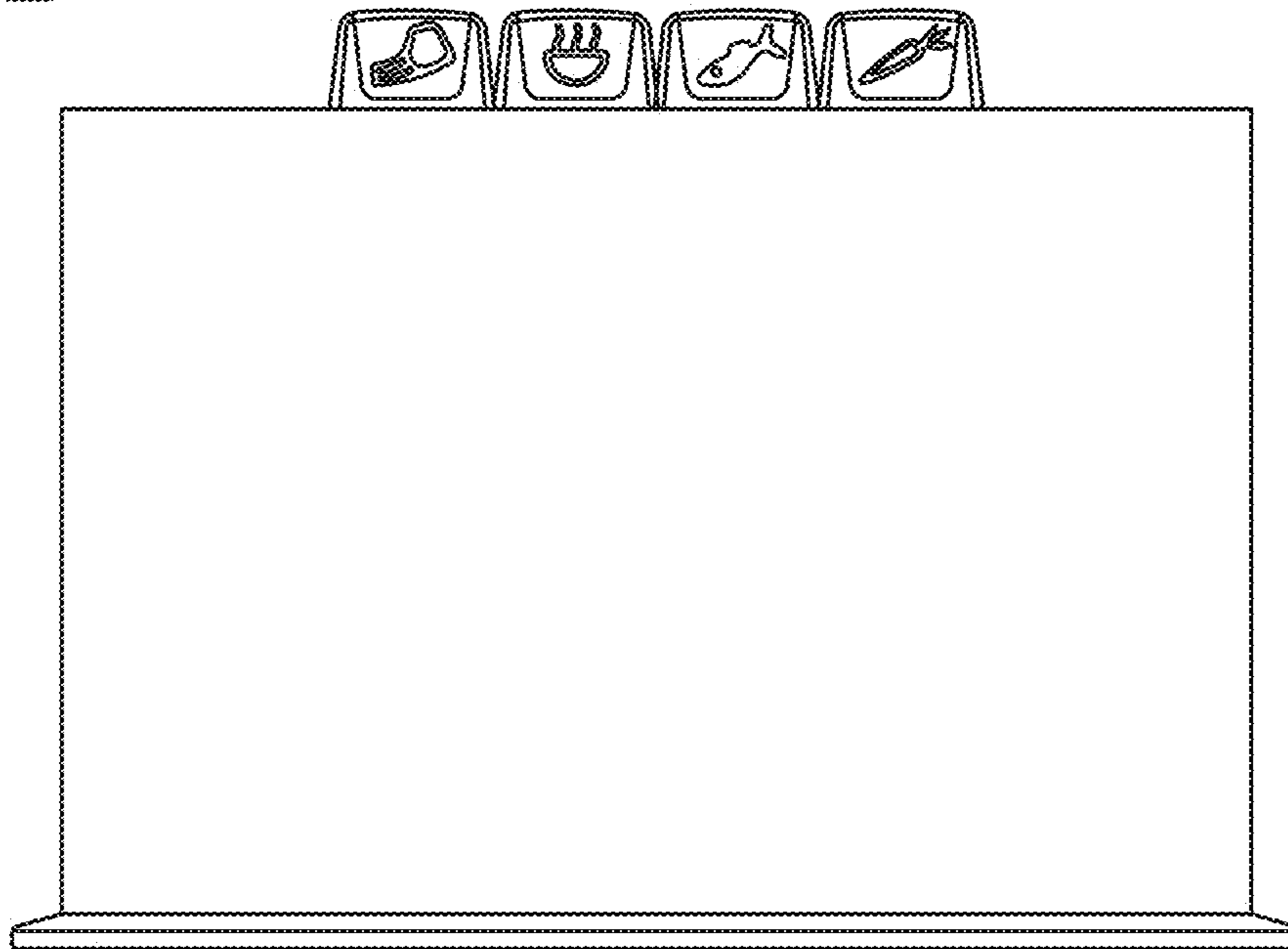


FIG. 3

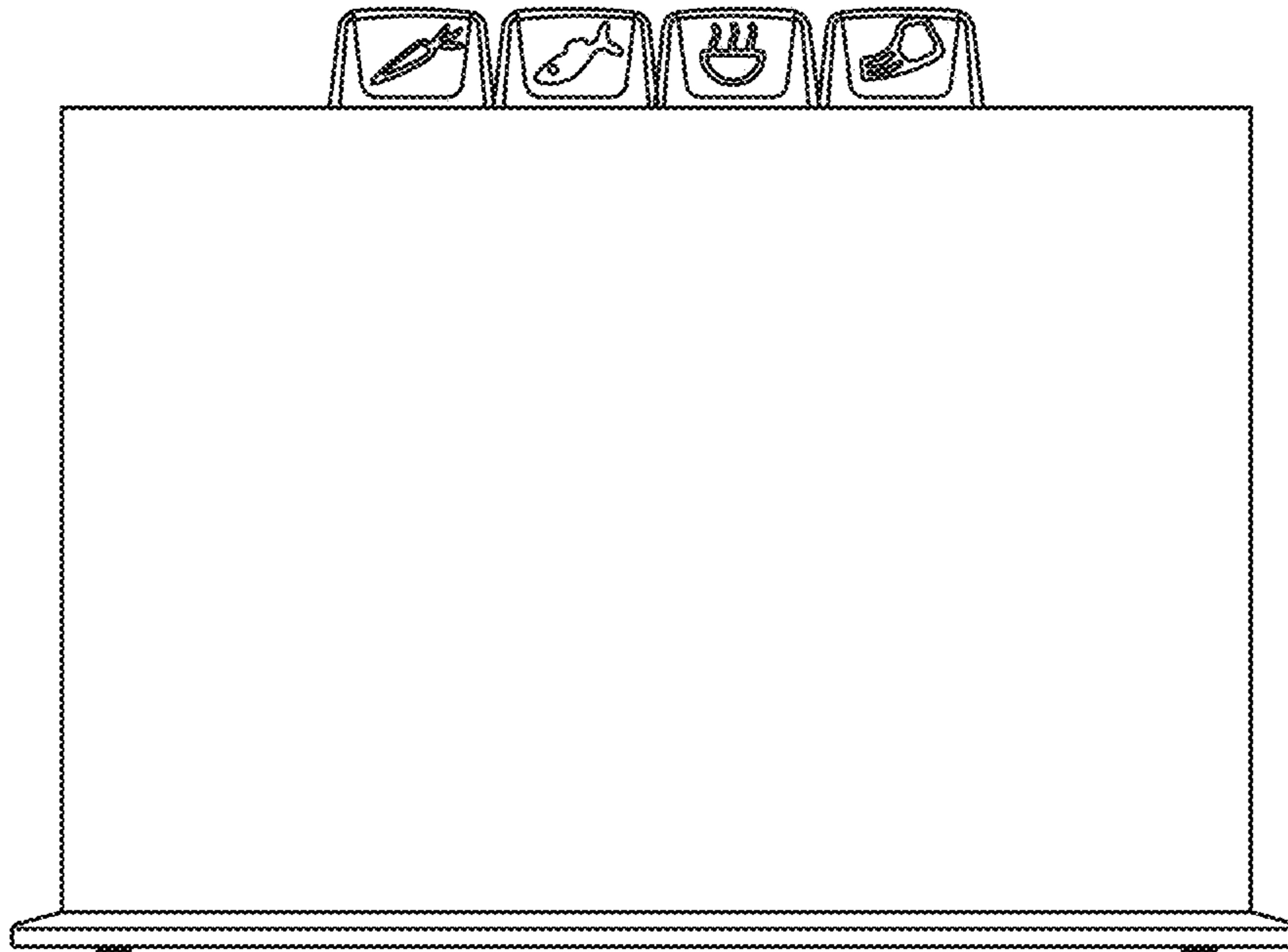


FIG. 4

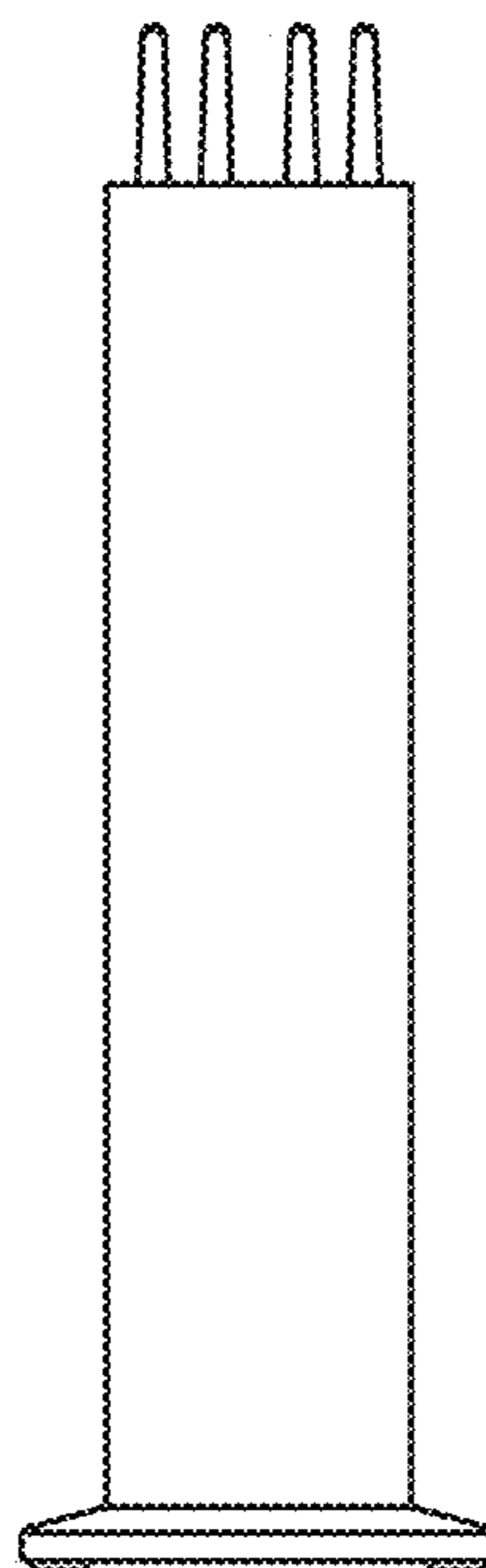


FIG. 5

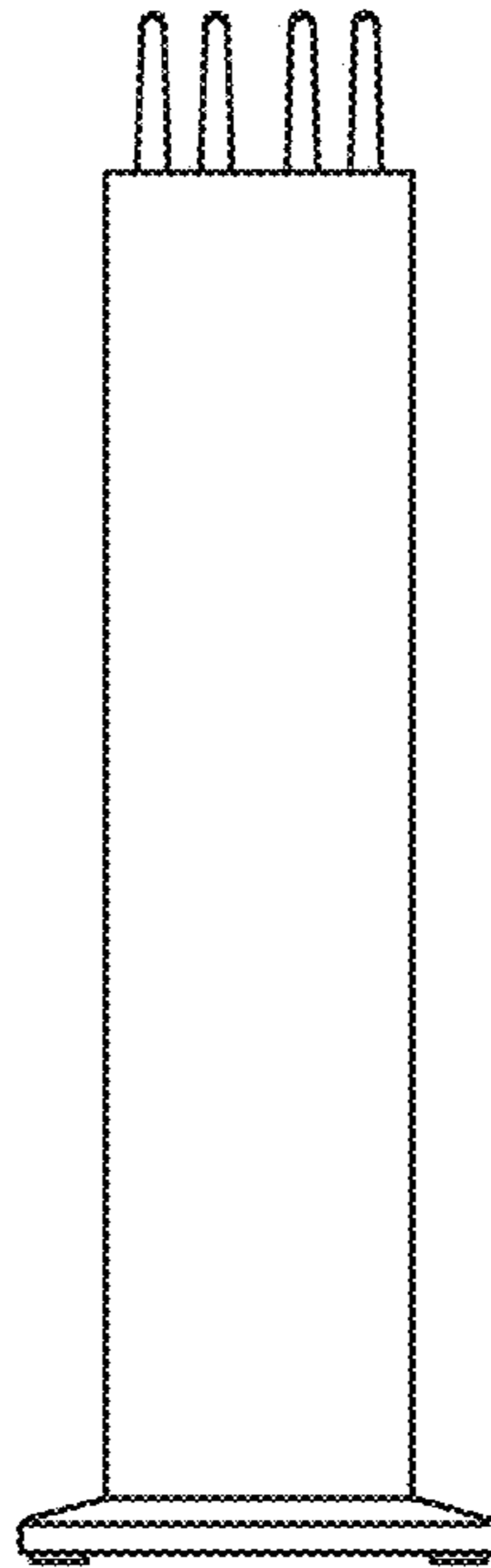


FIG. 6

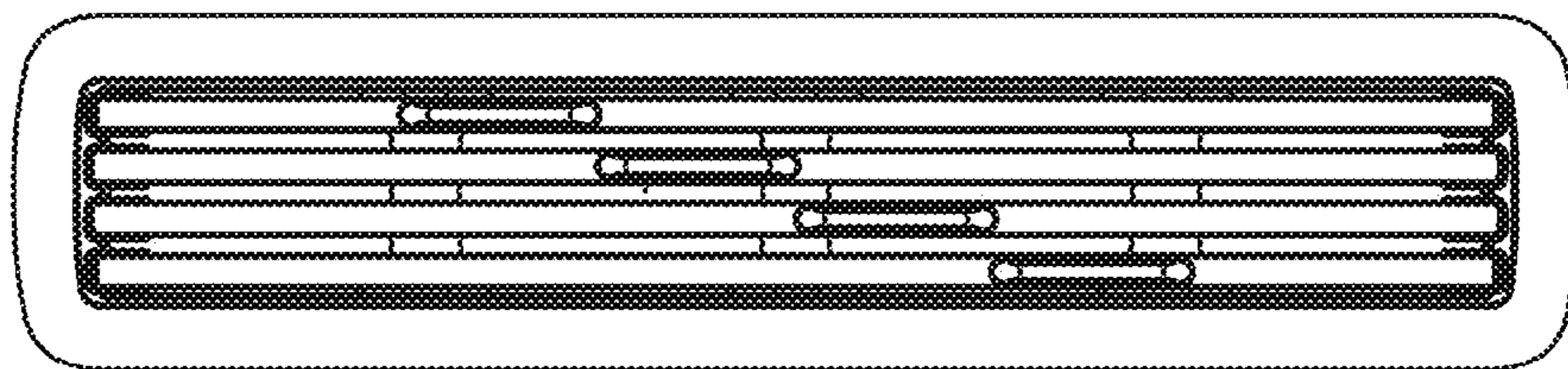


FIG. 7

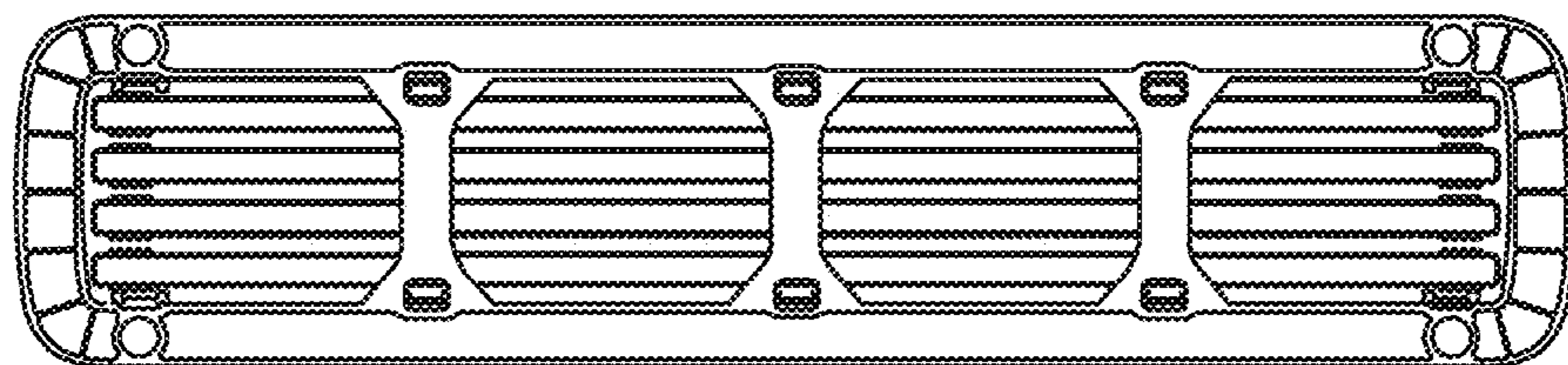


FIG. 8

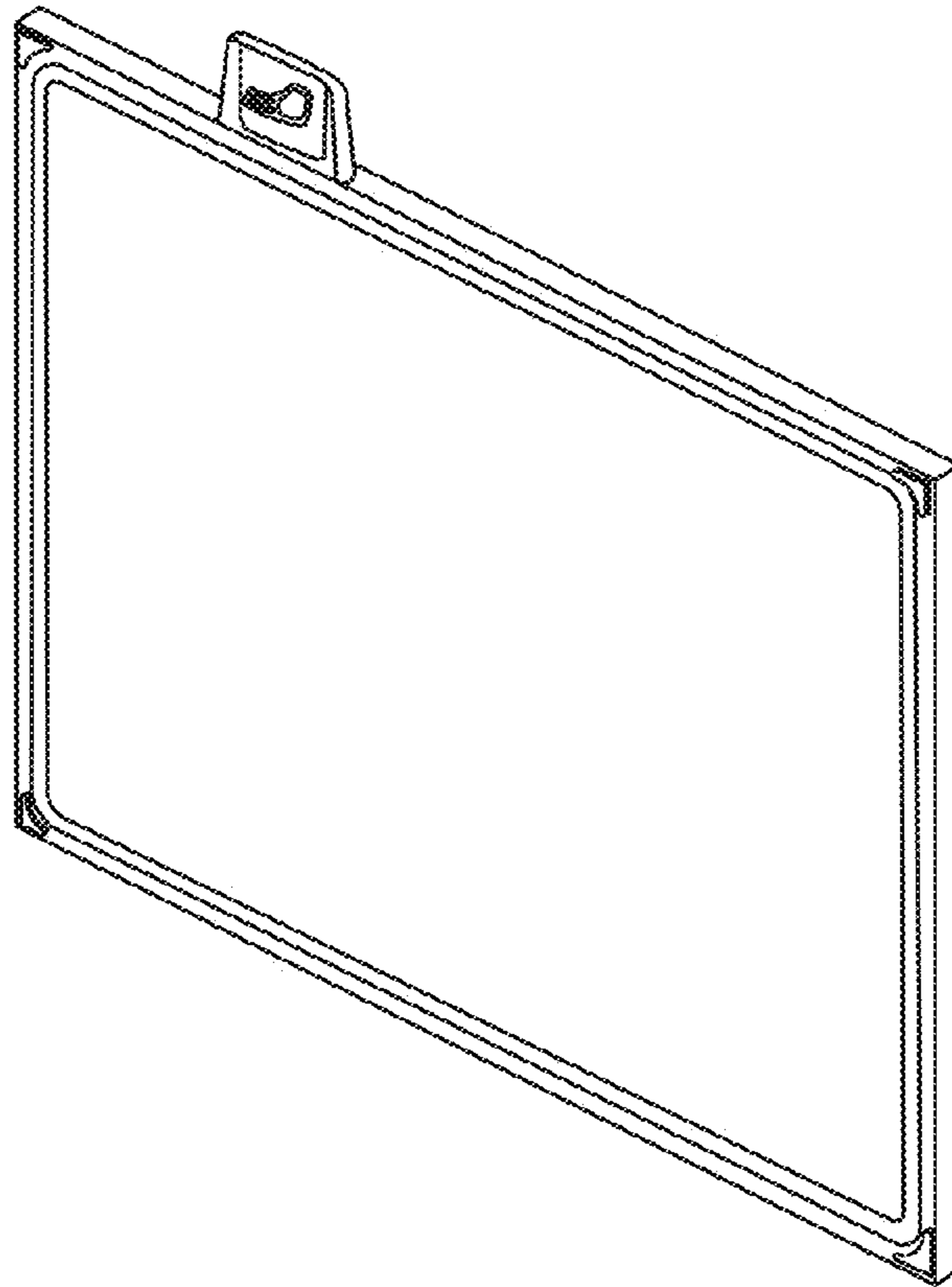


FIG. 9

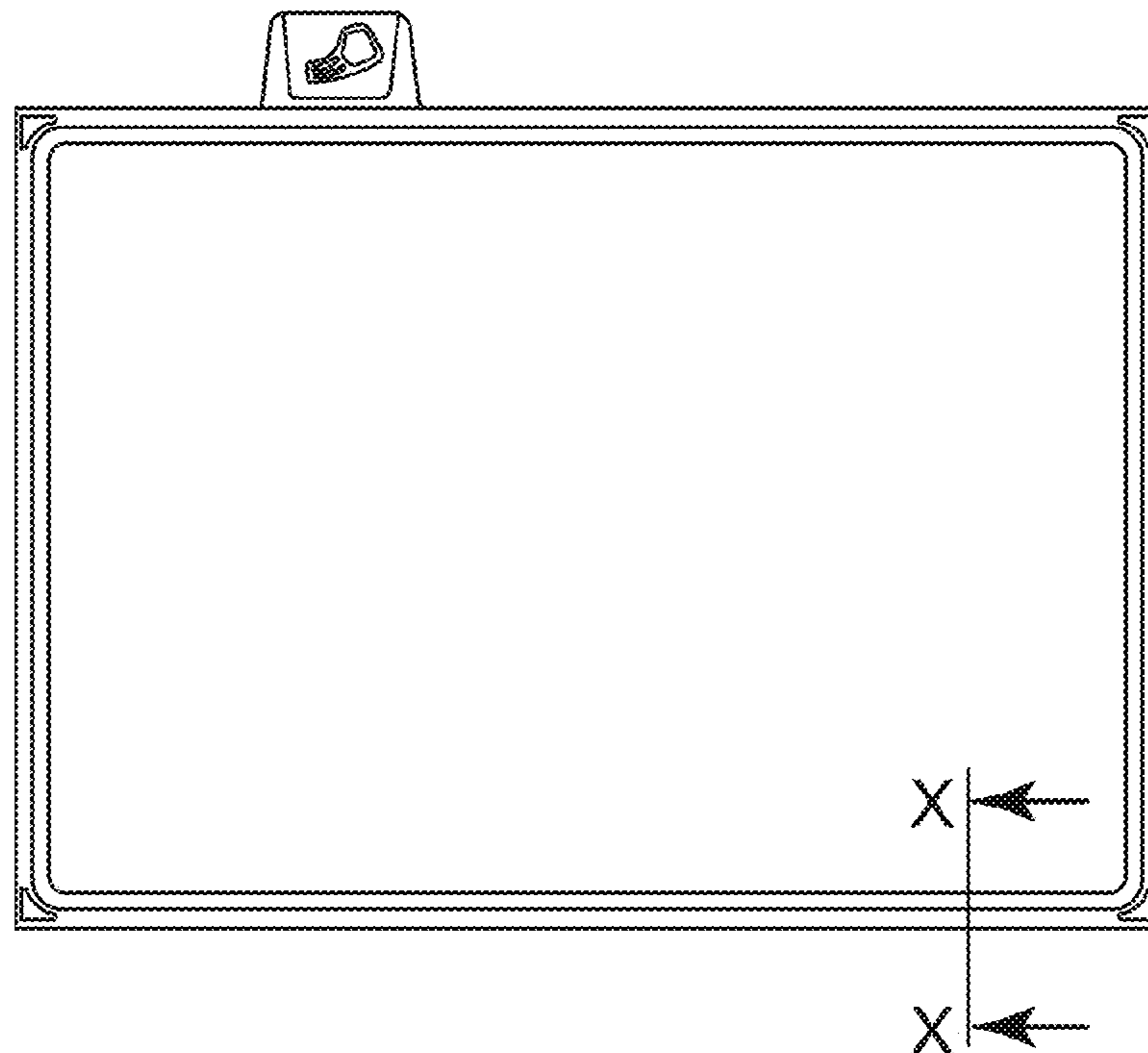


FIG. 10

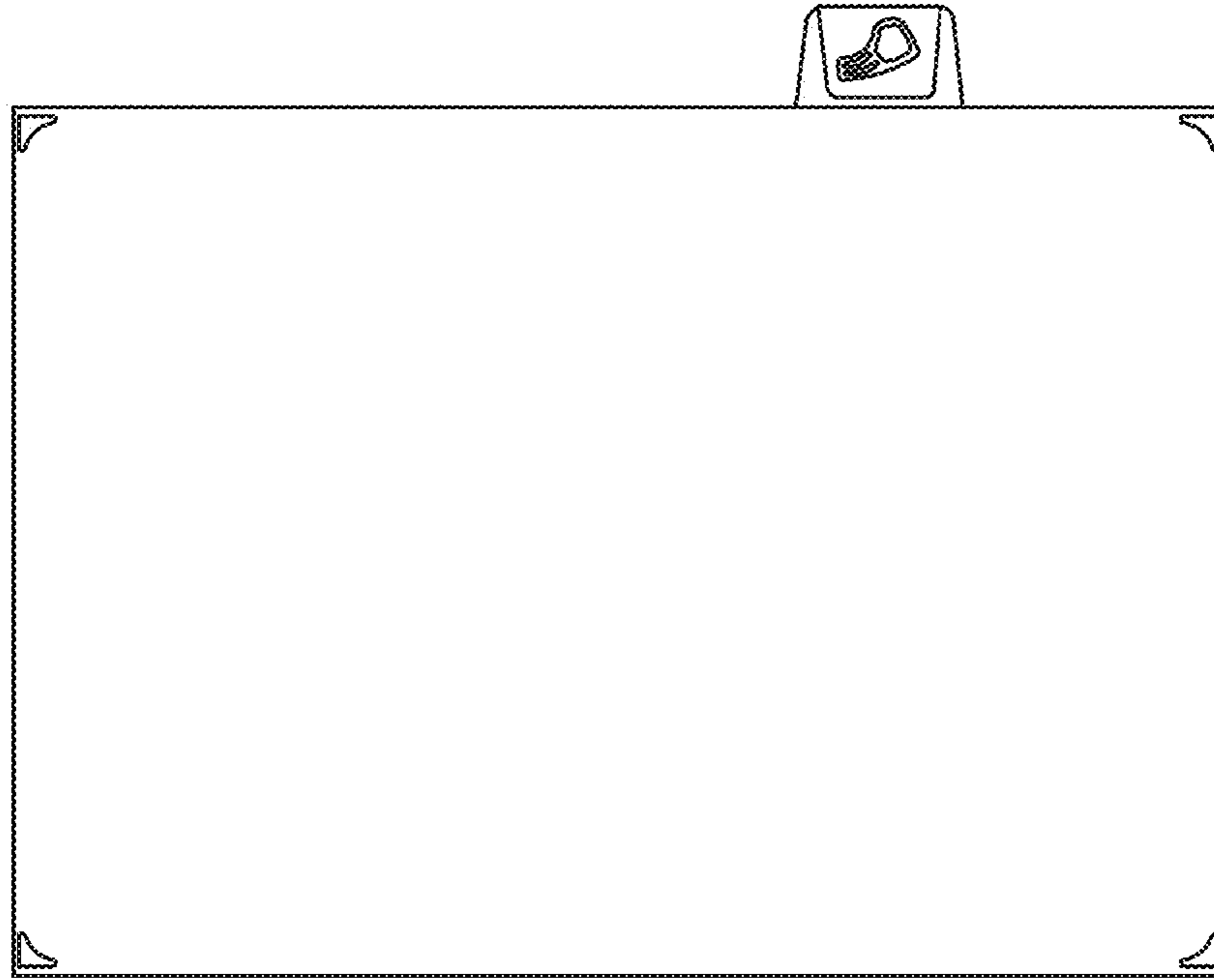


FIG. 11



FIG. 12

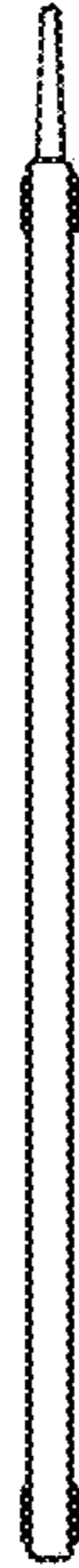


FIG. 13

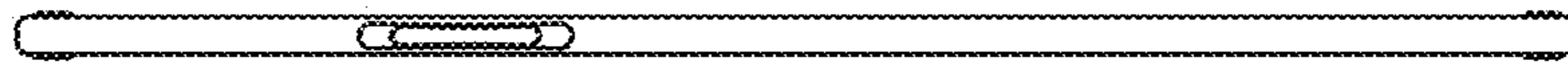


FIG. 14

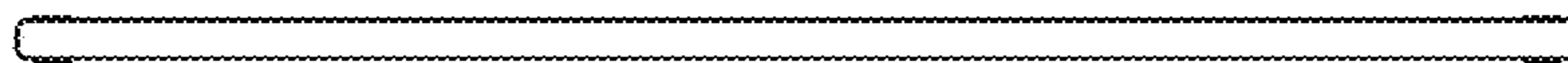




FIG. 15

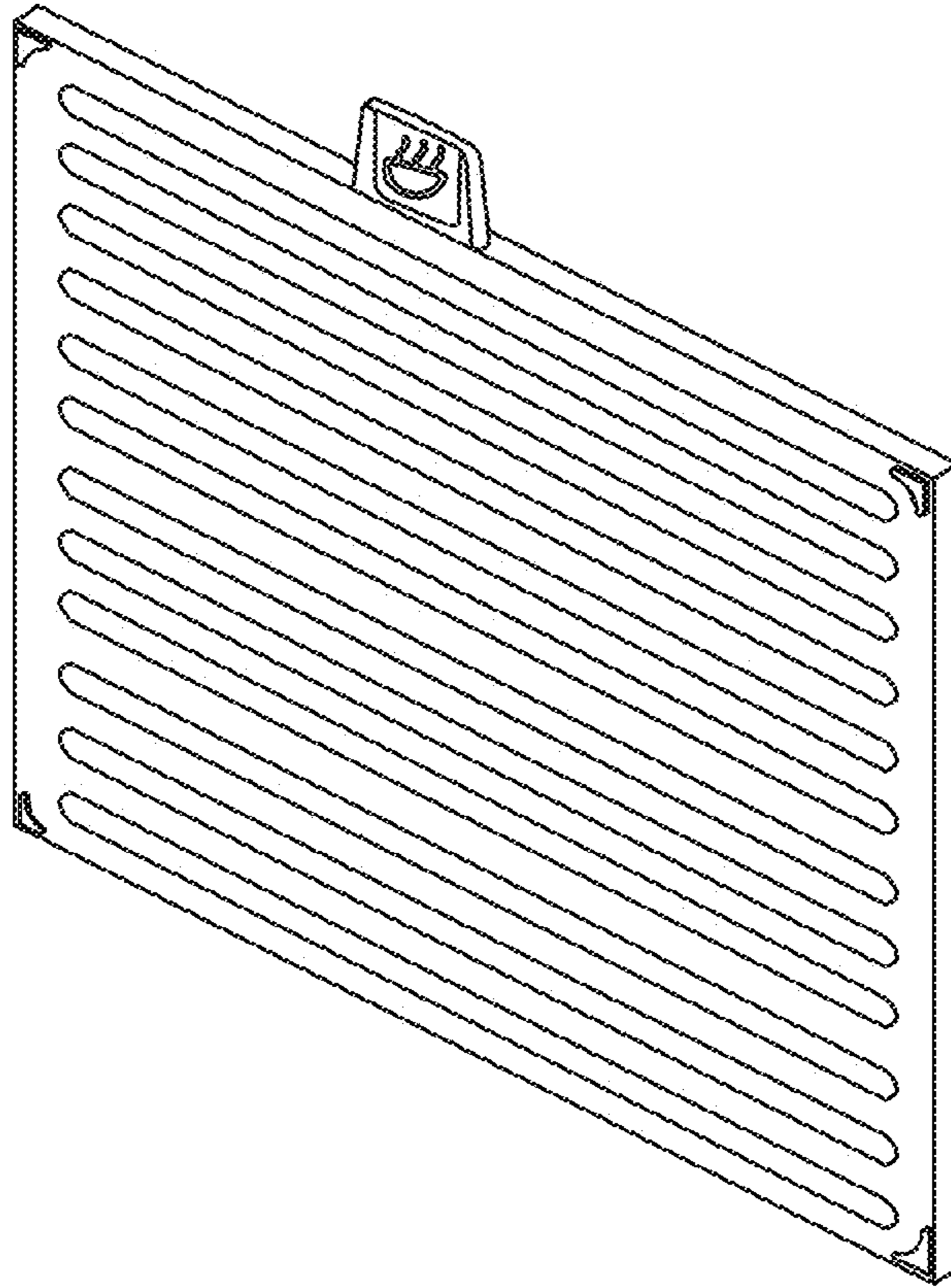


FIG. 16

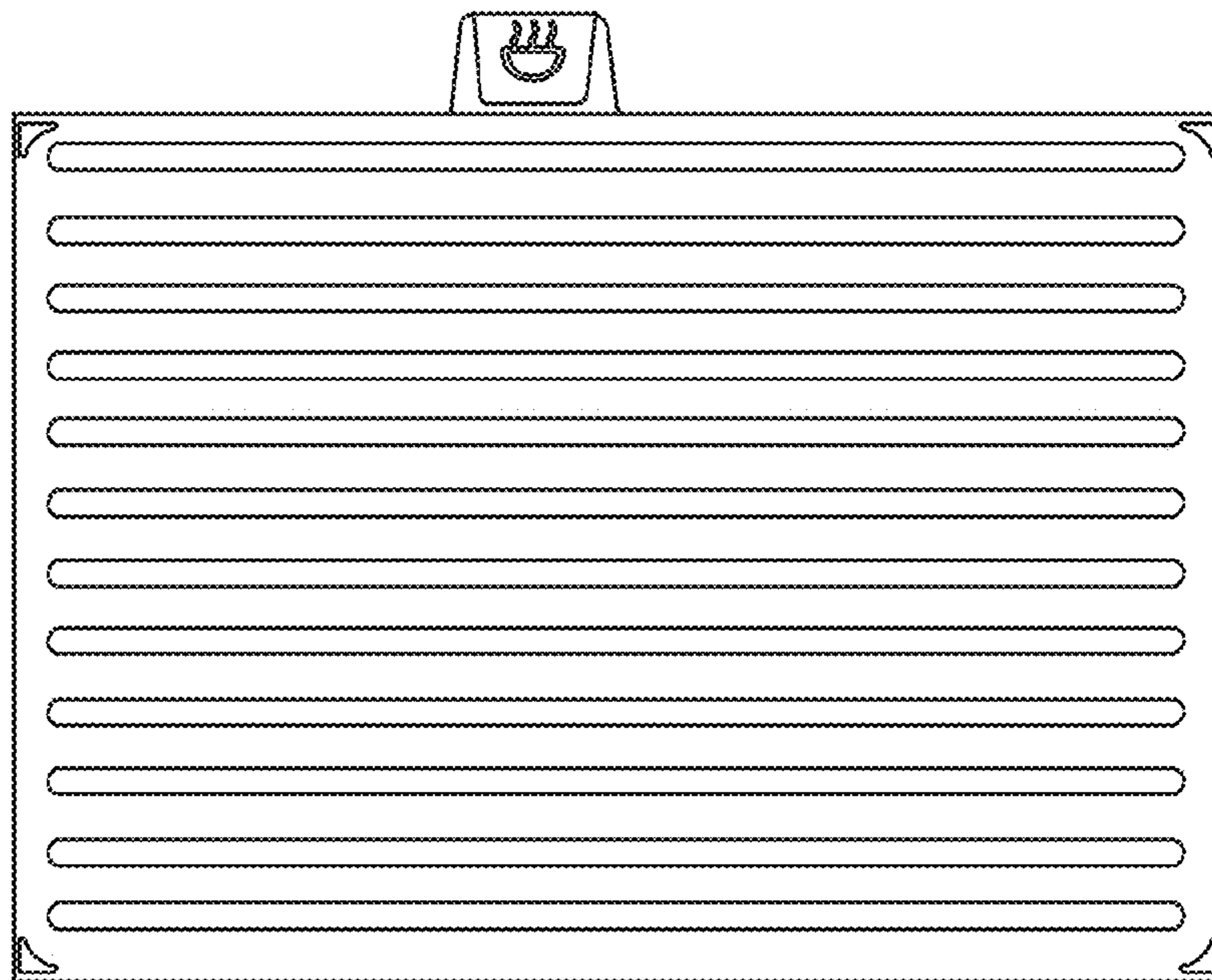


FIG. 17

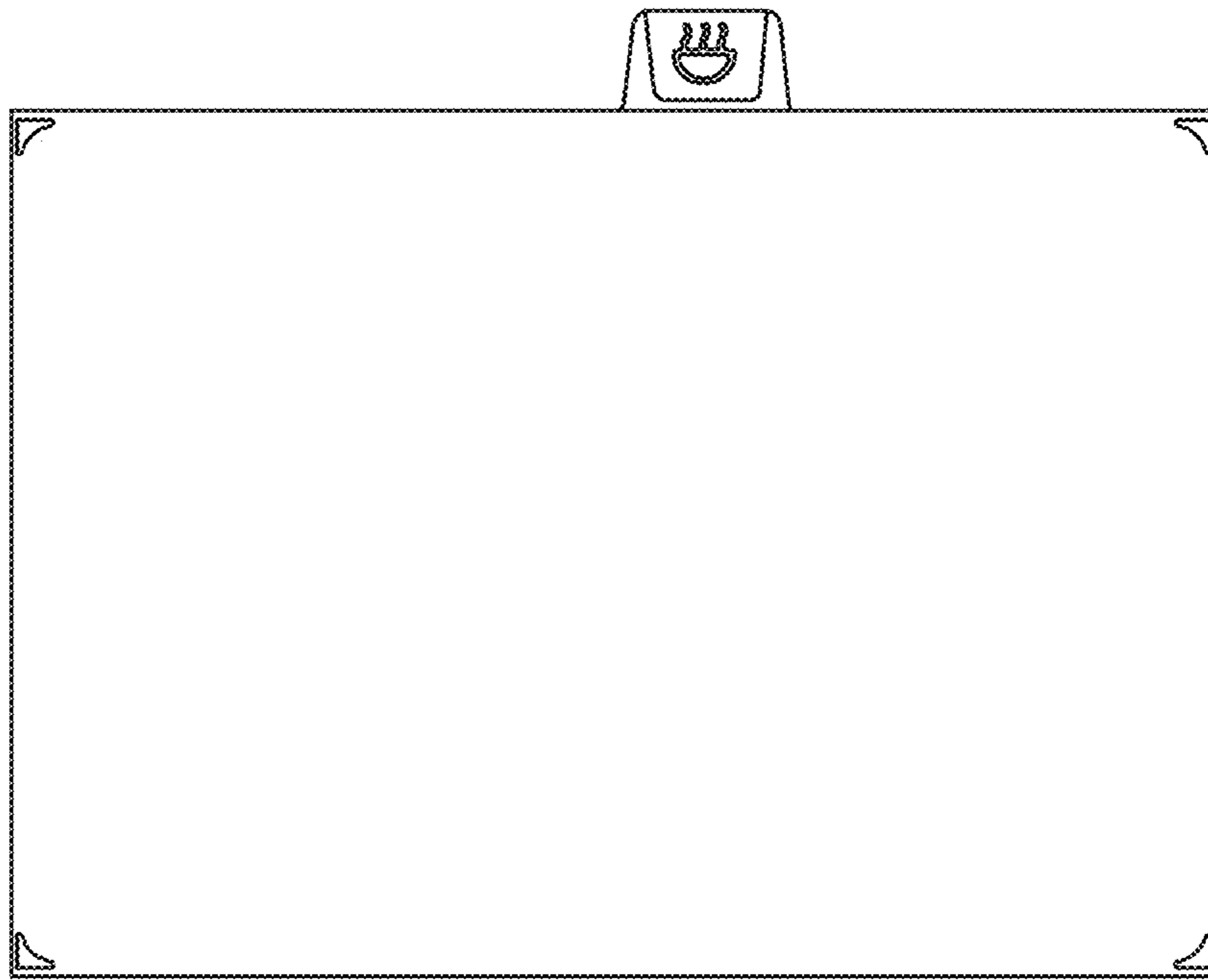


FIG. 18



FIG. 19



FIG. 20



FIG. 21

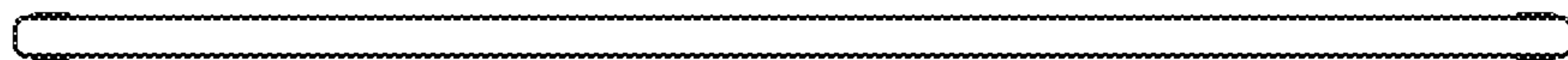


FIG. 22

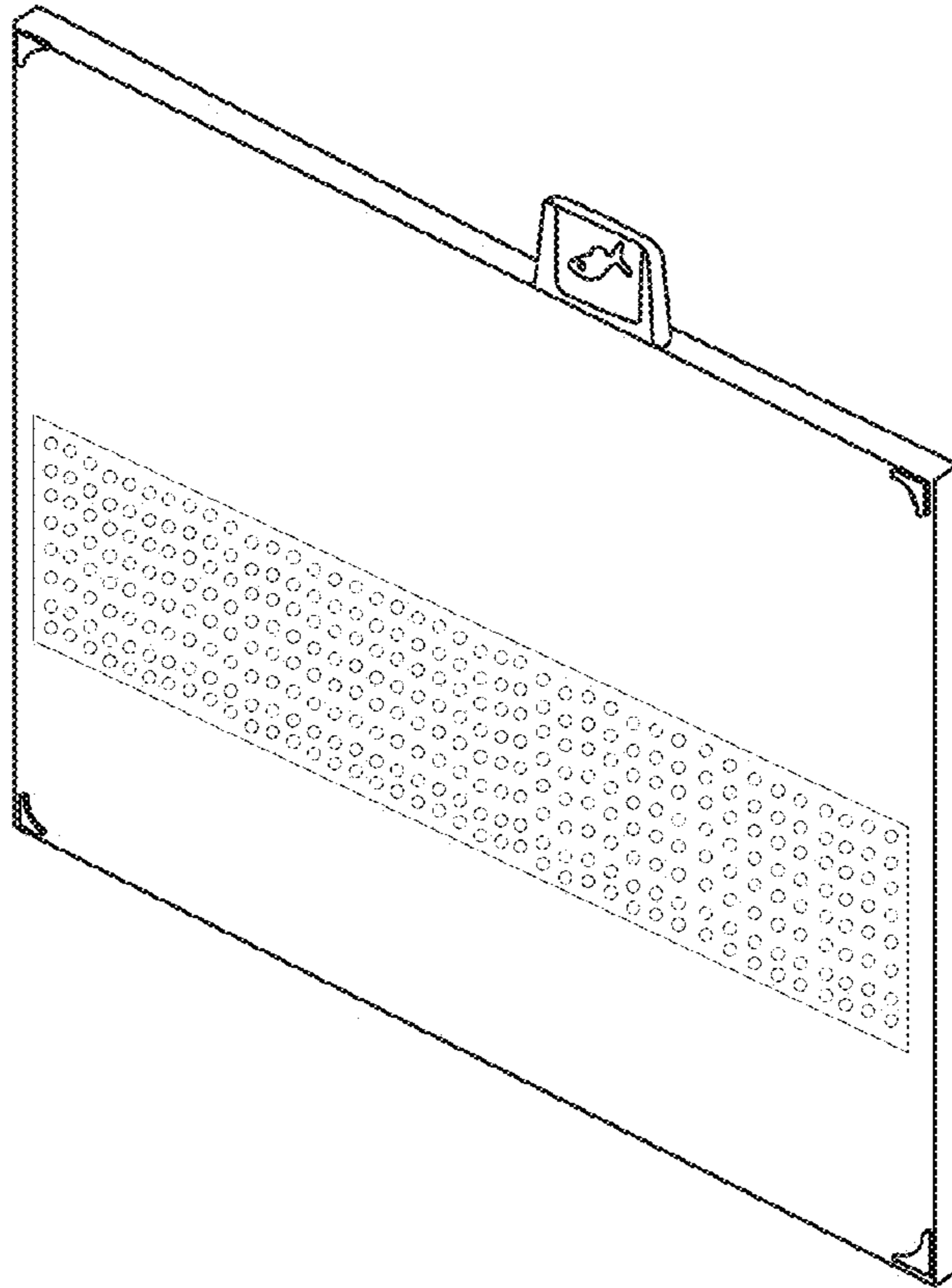


FIG. 23

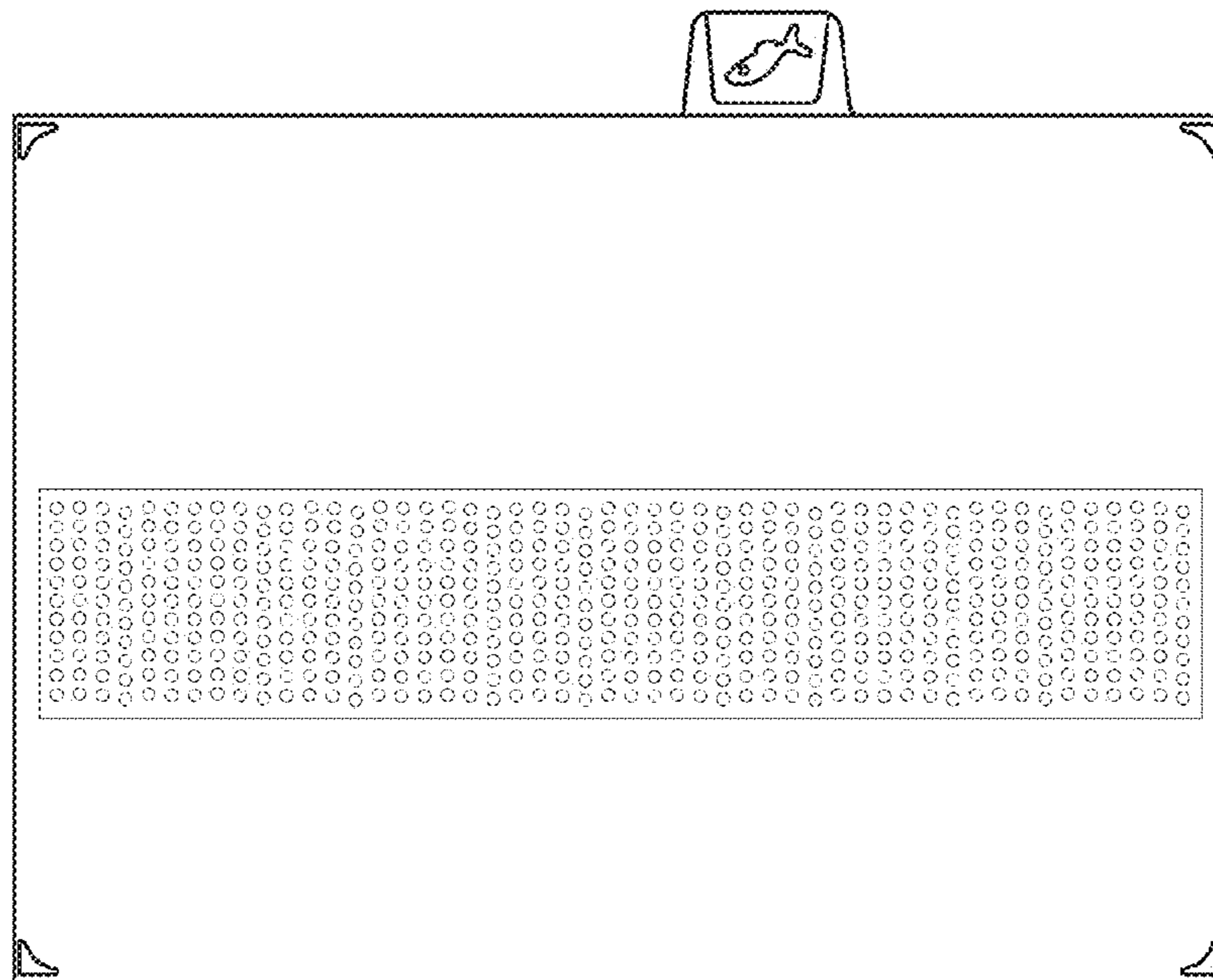


FIG. 24

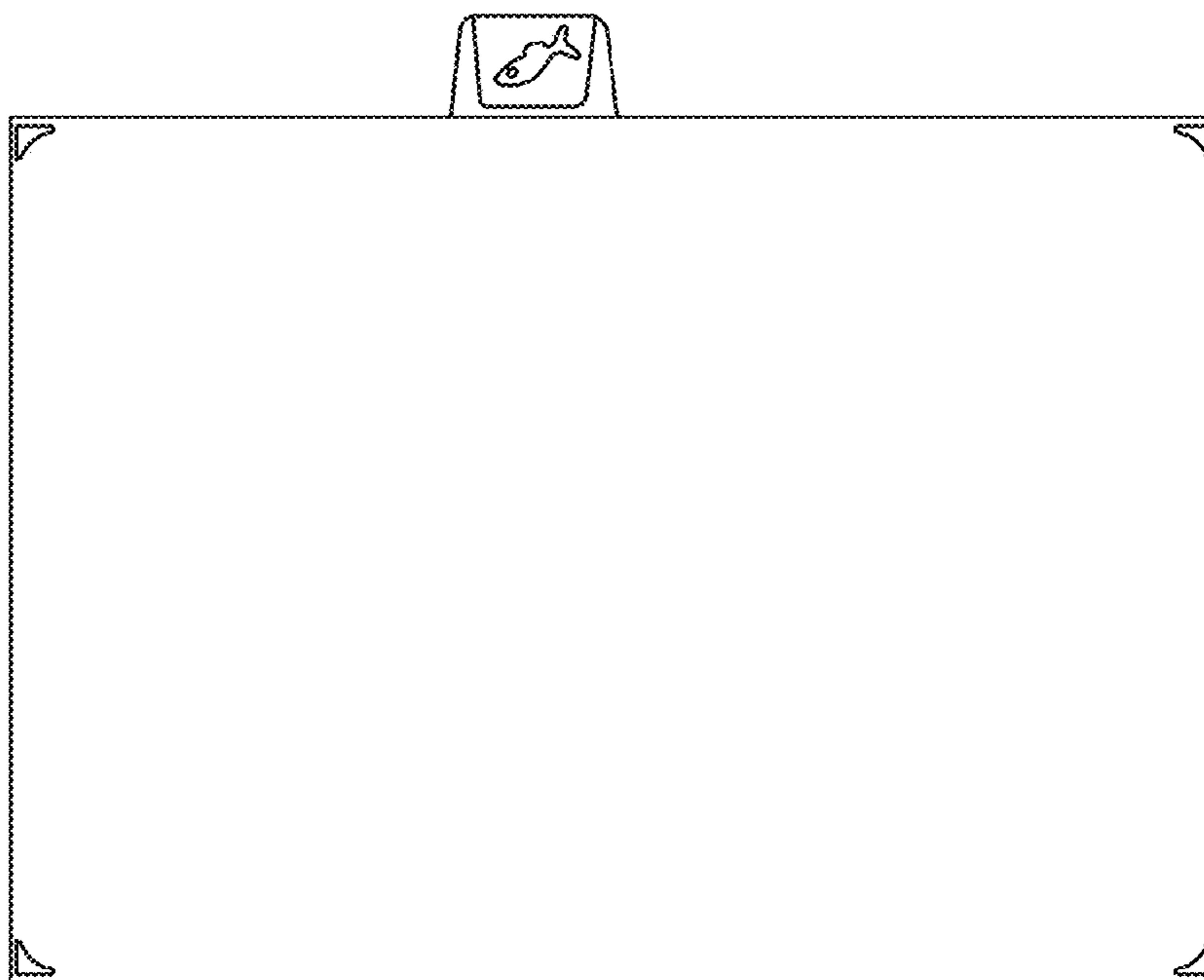


FIG. 25





FIG. 26

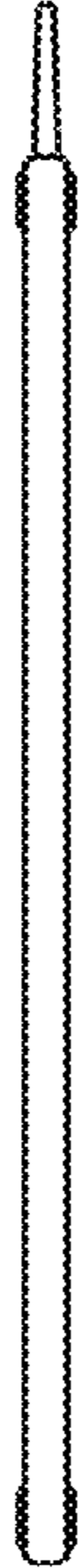


FIG. 27



FIG. 28

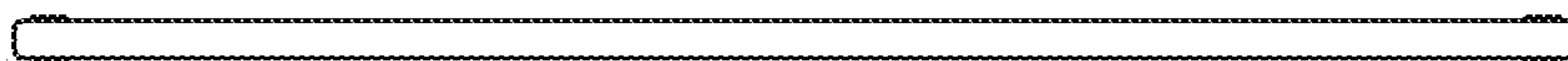


FIG. 29

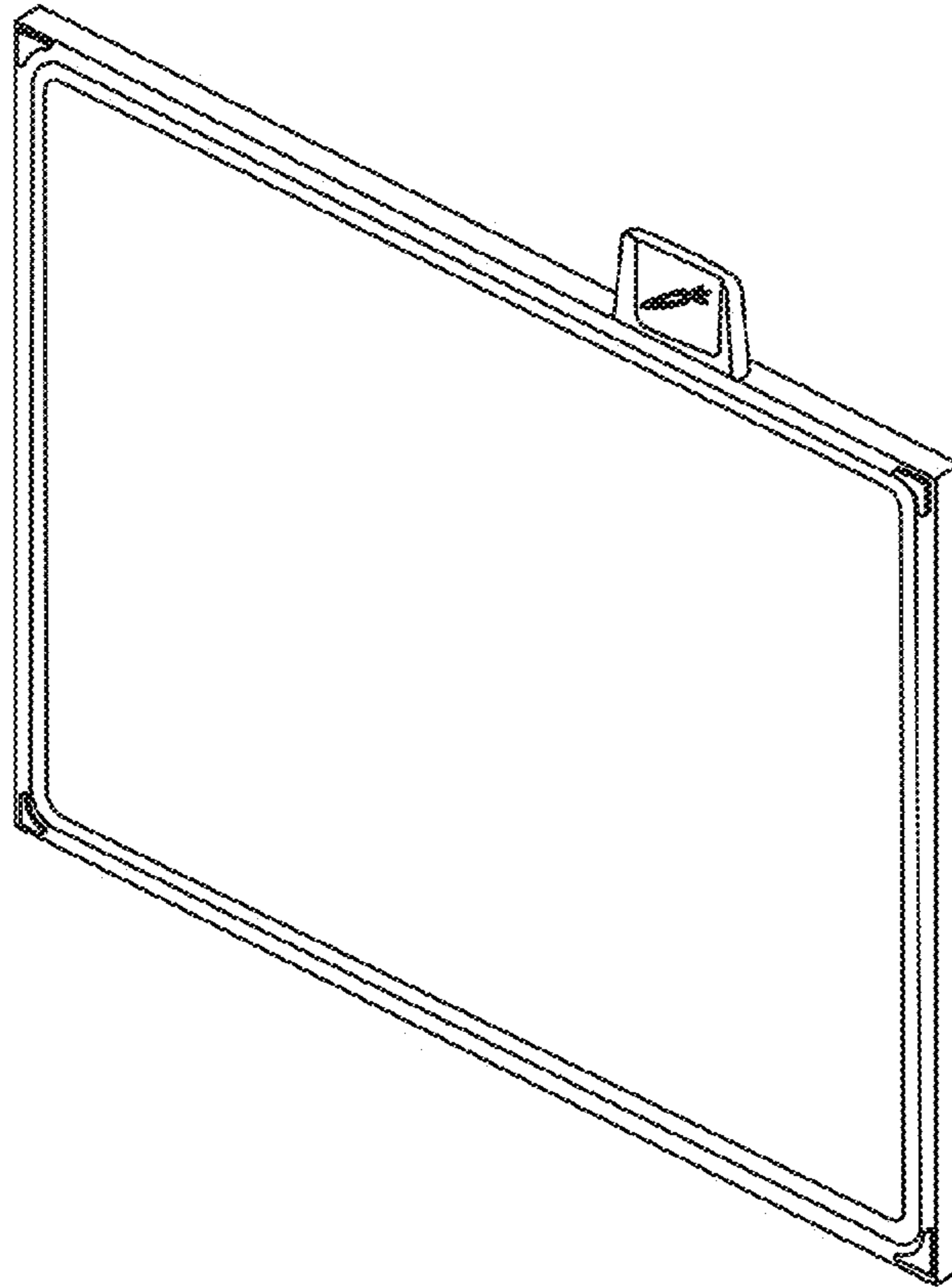


FIG. 30

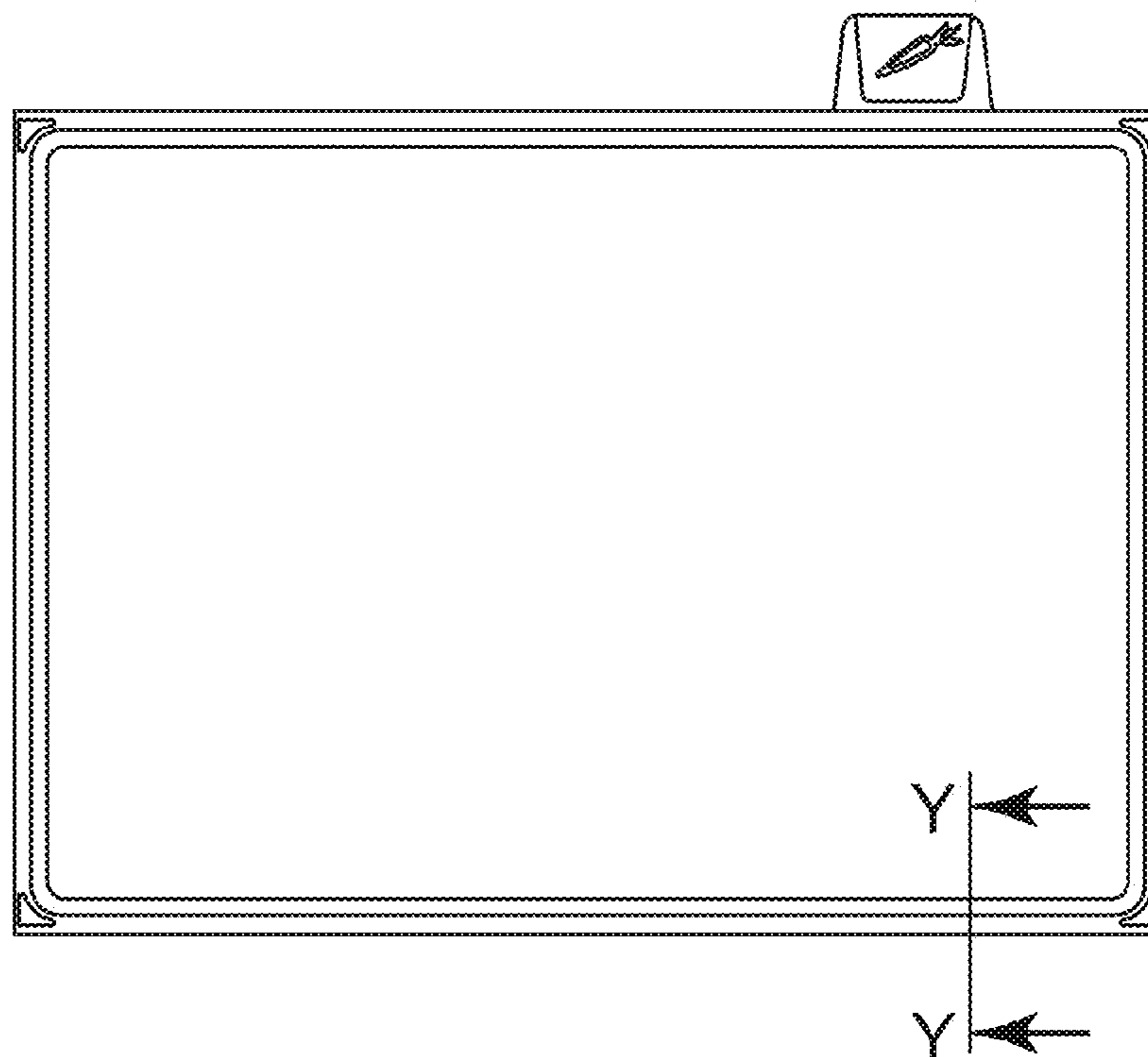


FIG. 31

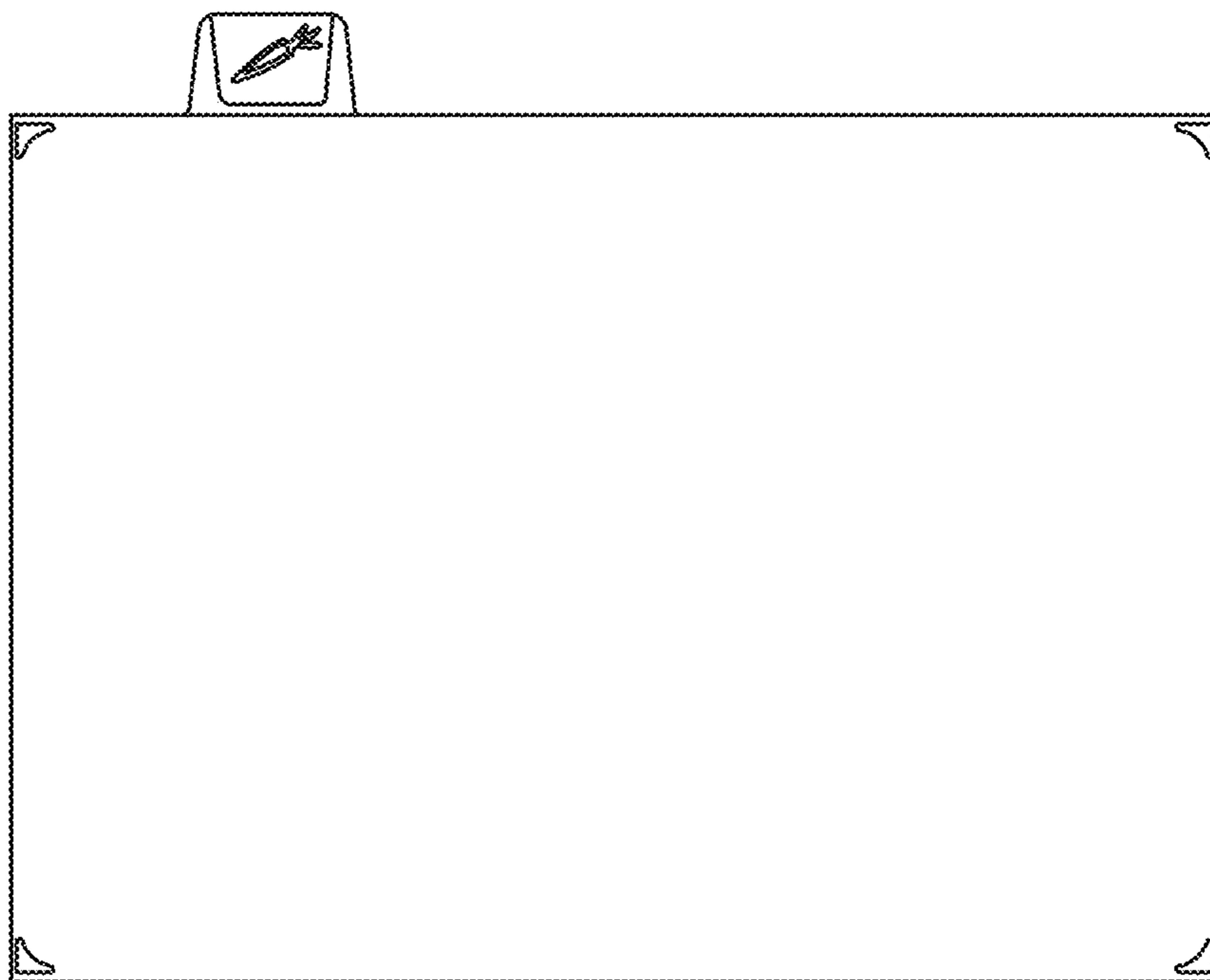


FIG. 32

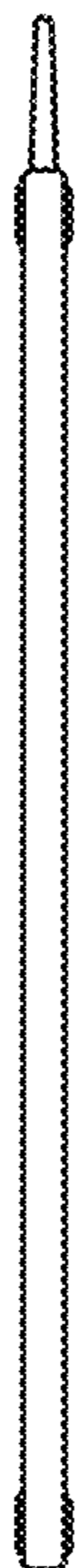


FIG. 33

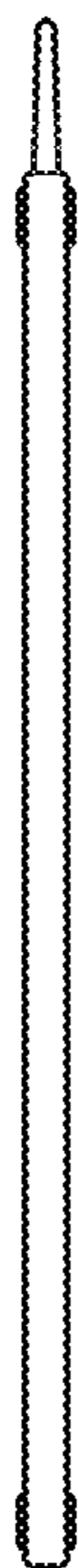


FIG. 34

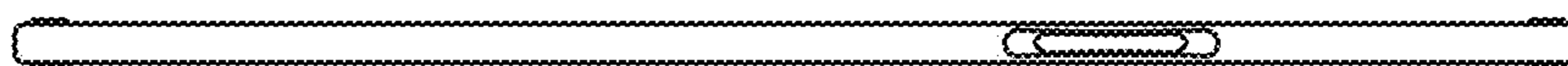


FIG. 35



FIG. 36

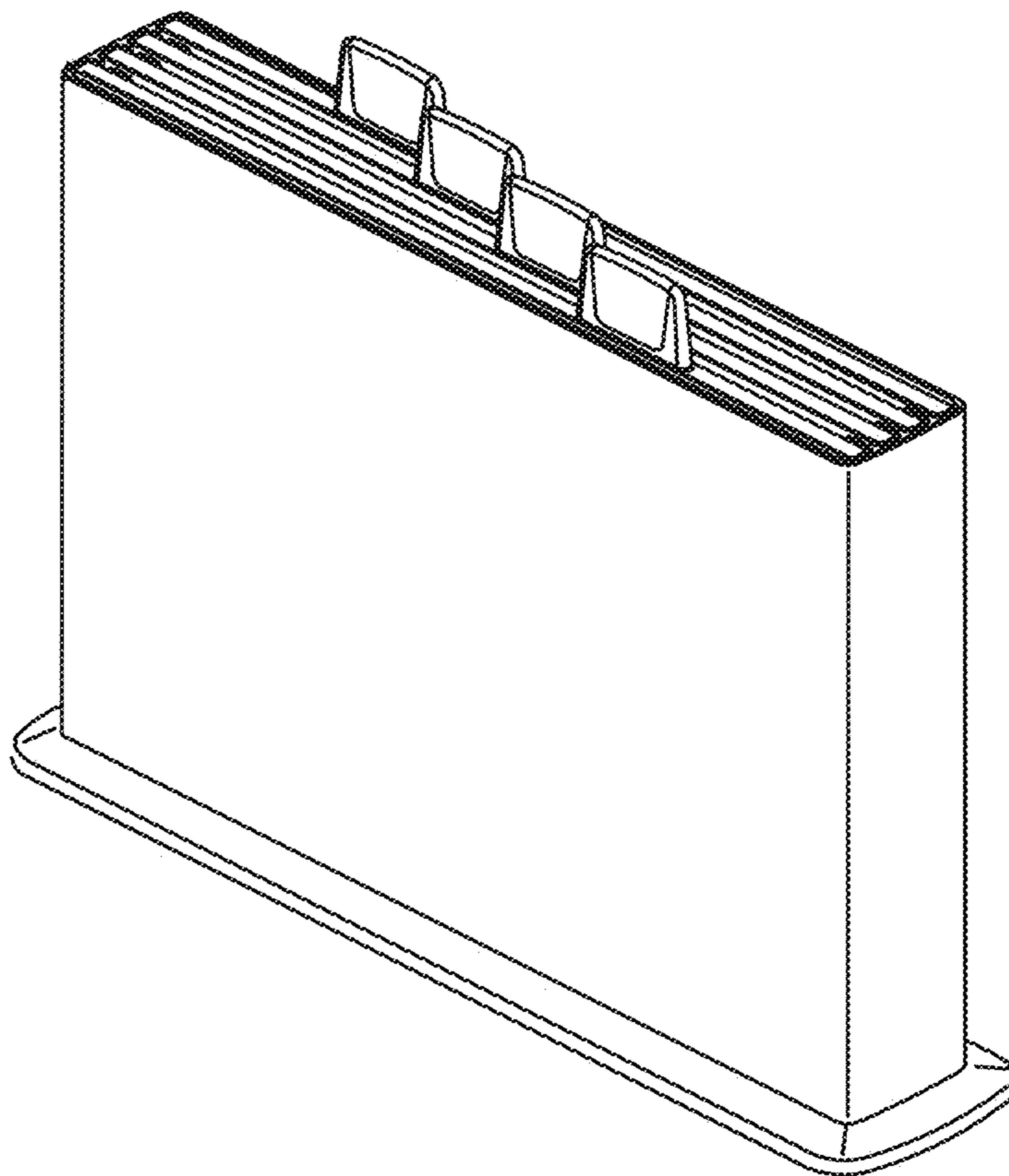


FIG. 37

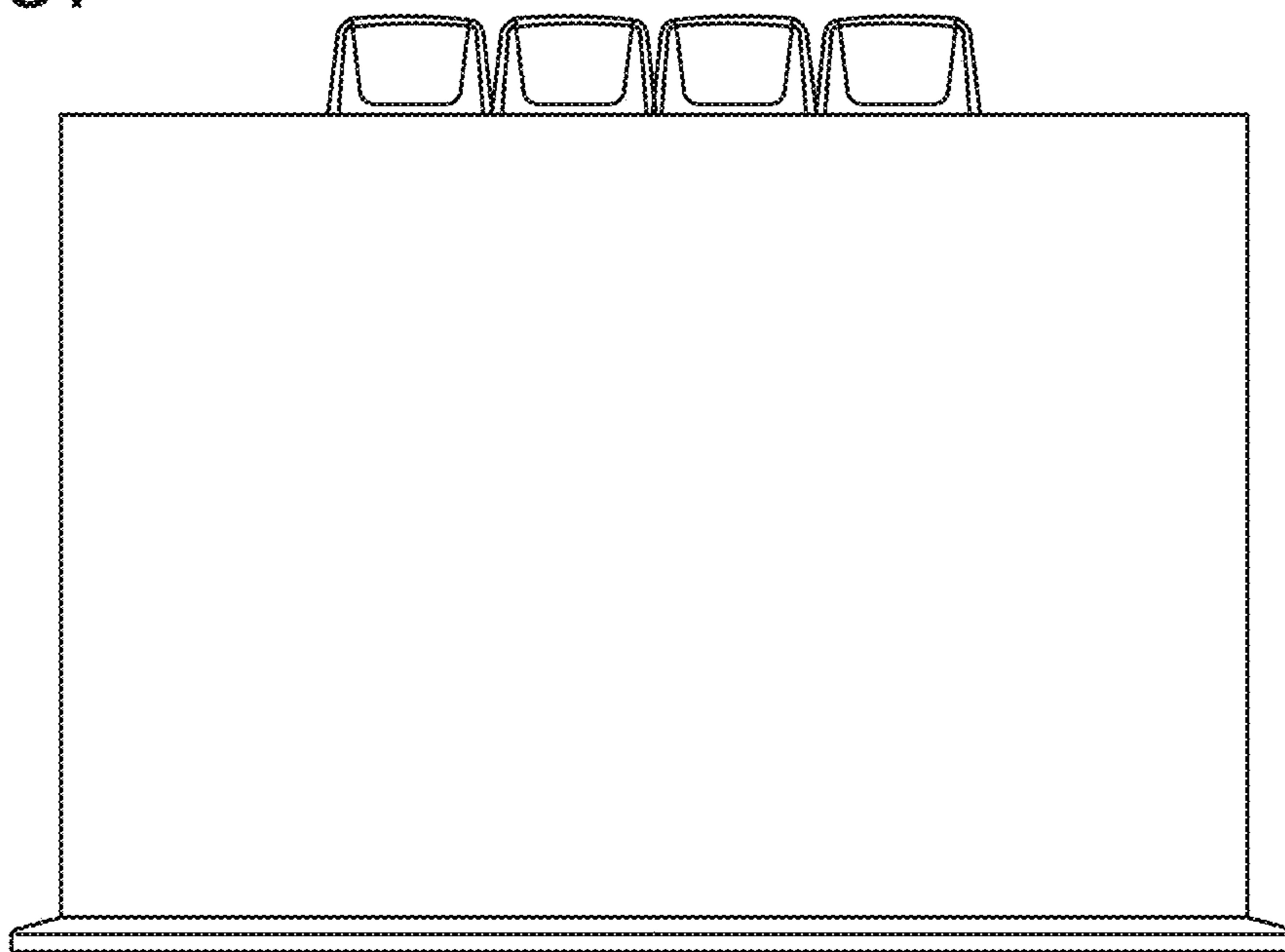




FIG. 38

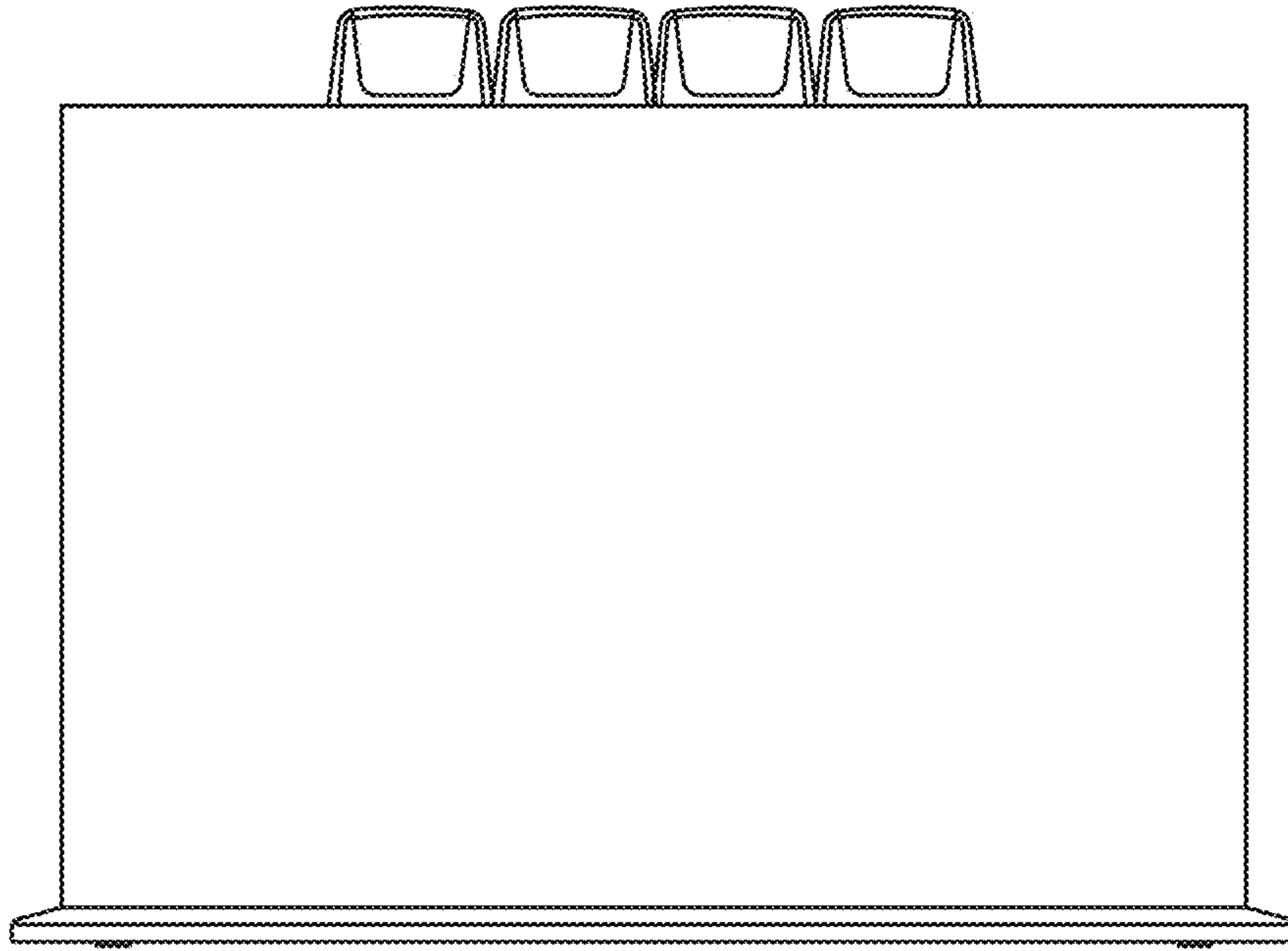


FIG. 39

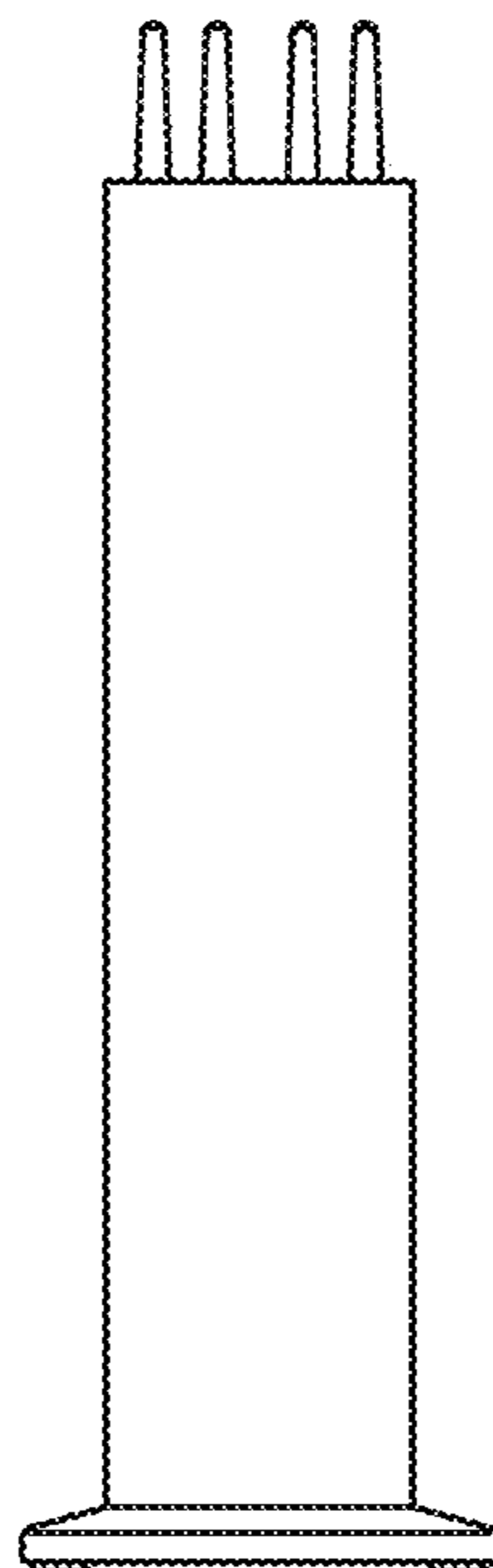


FIG. 40

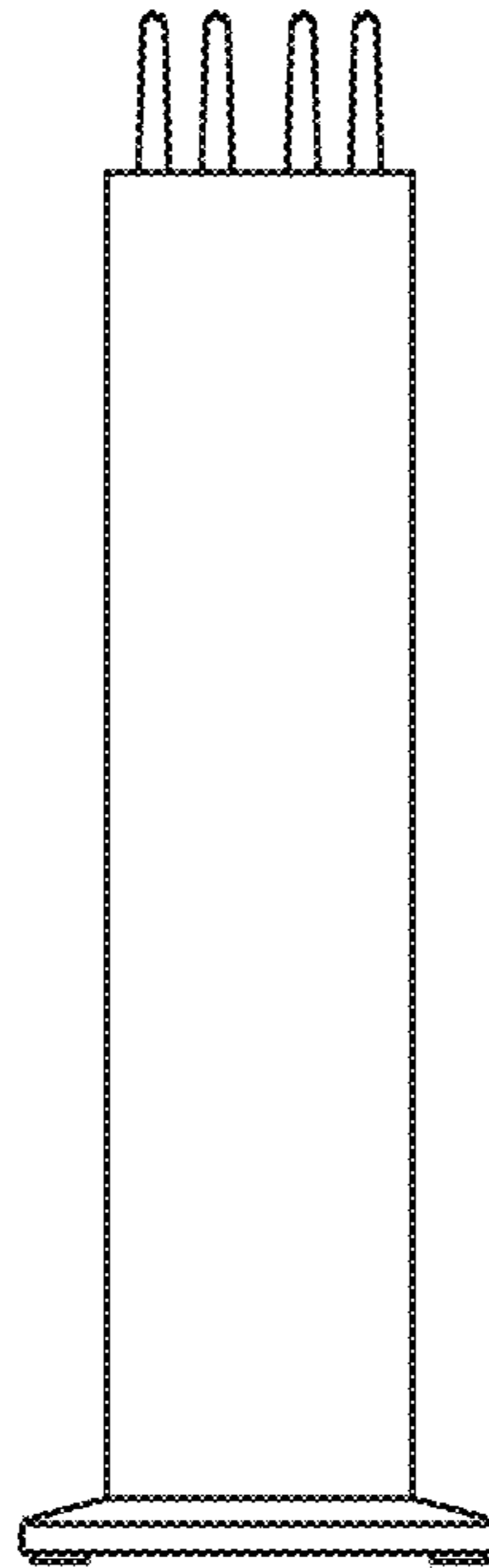


FIG. 41

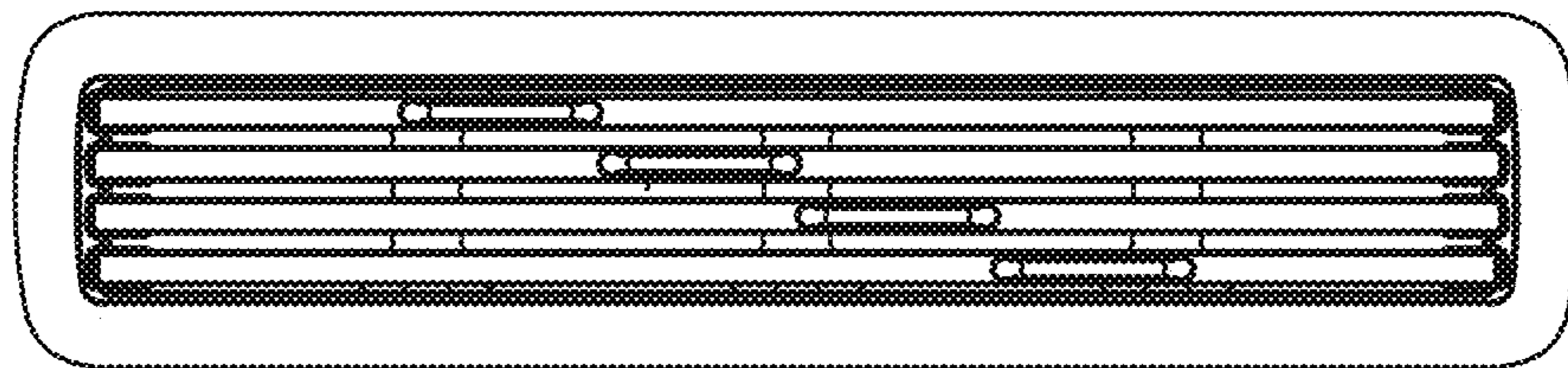


FIG. 42

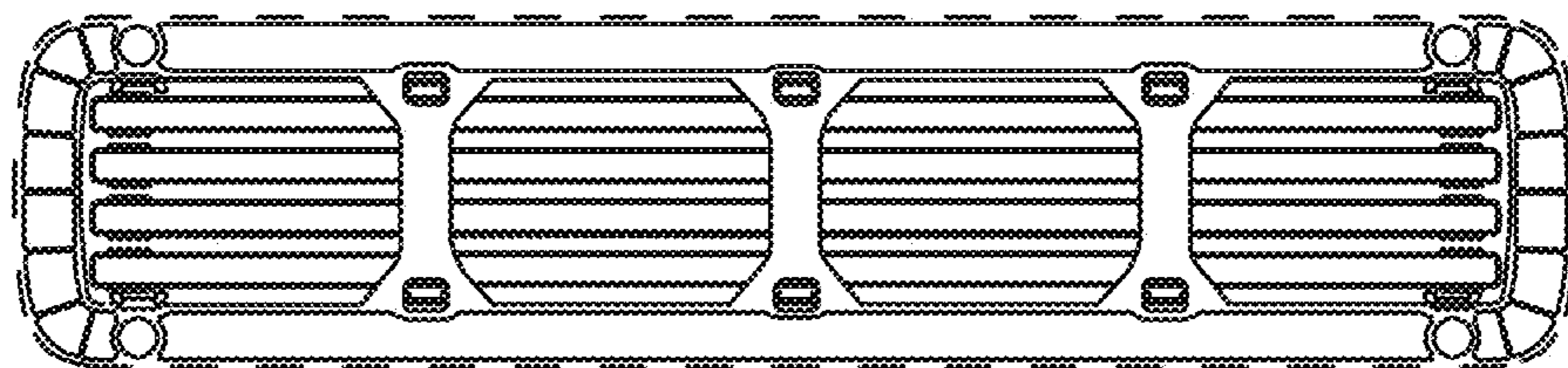


FIG. 43

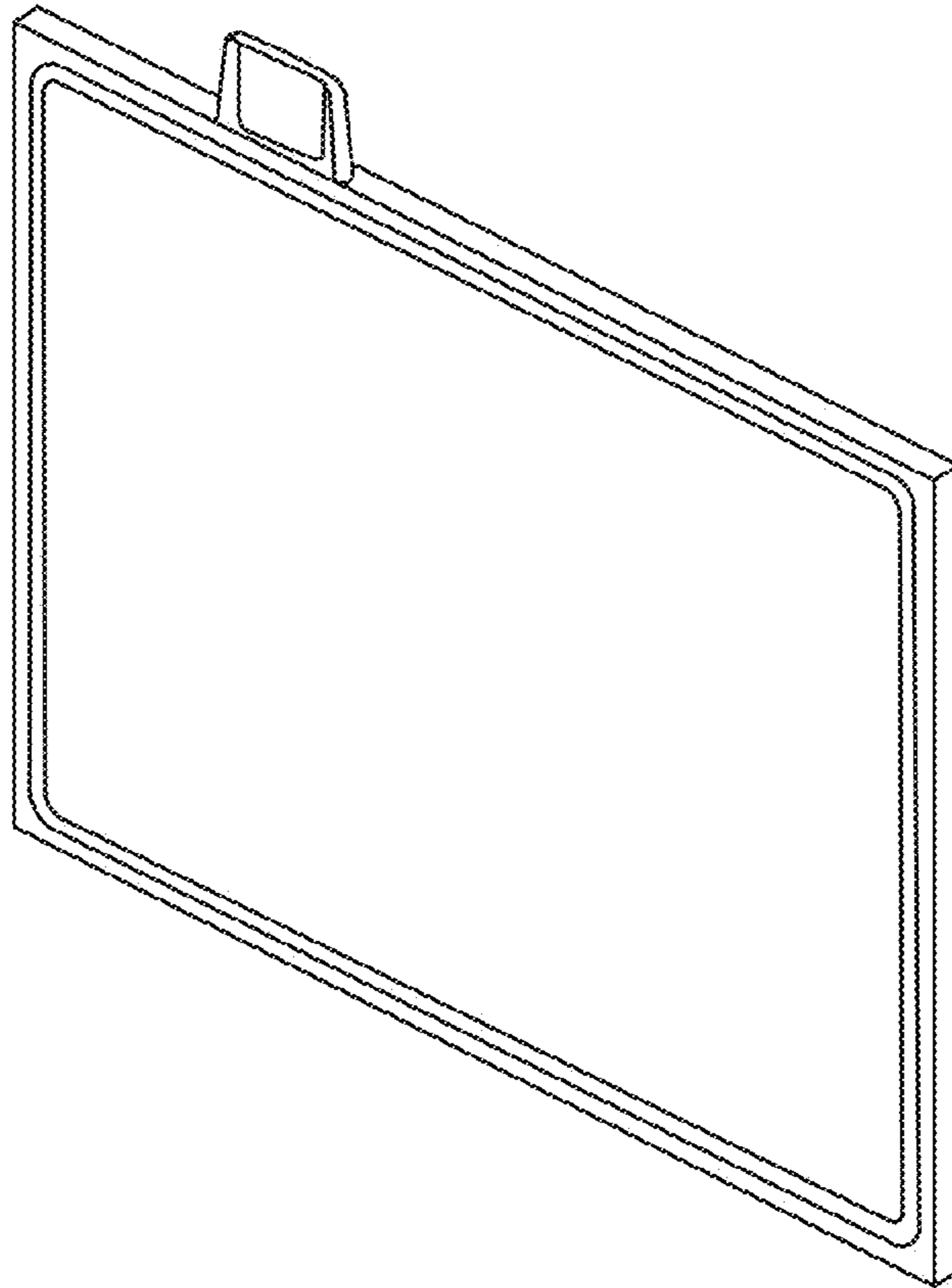


FIG. 44

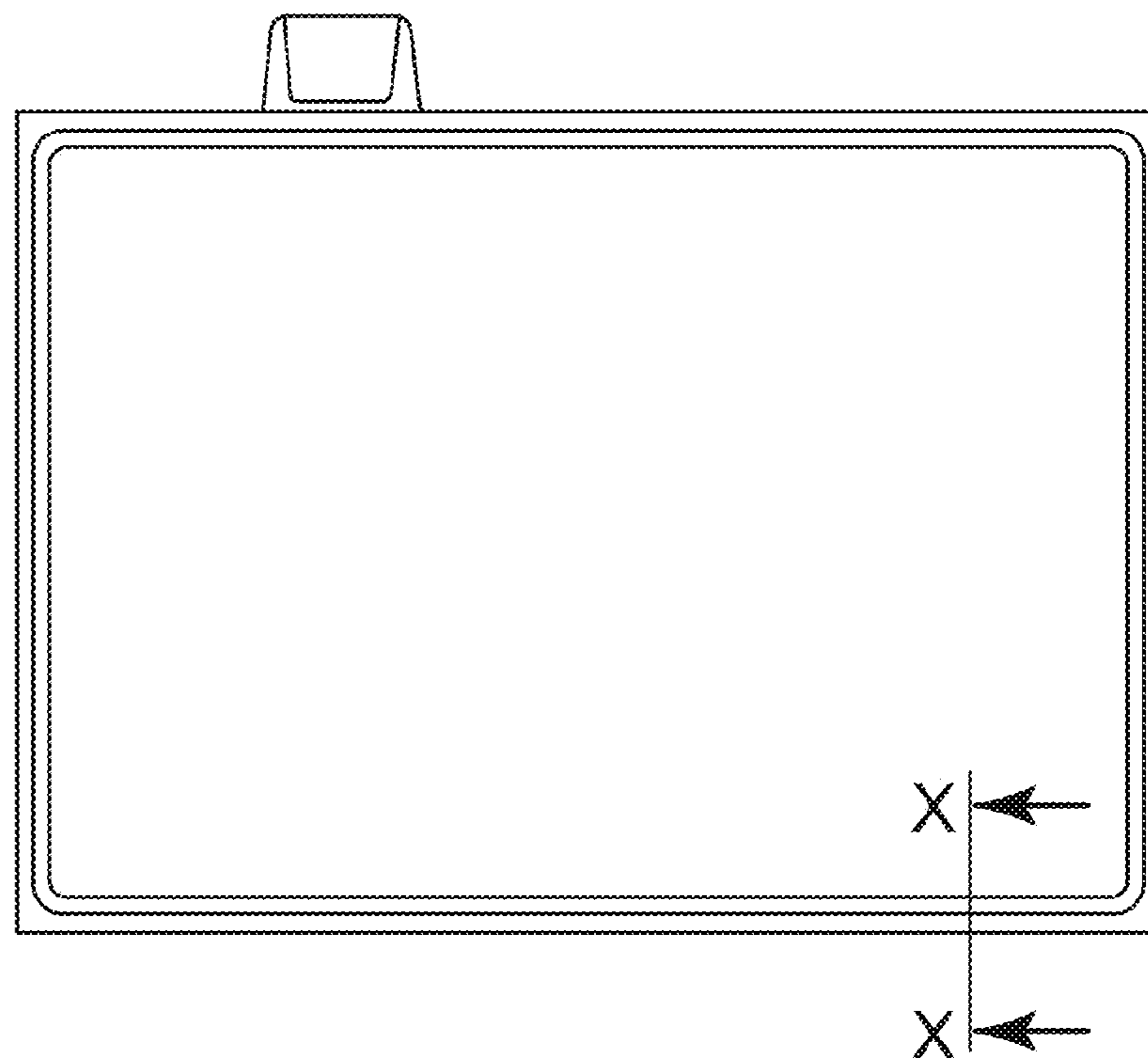


FIG. 45

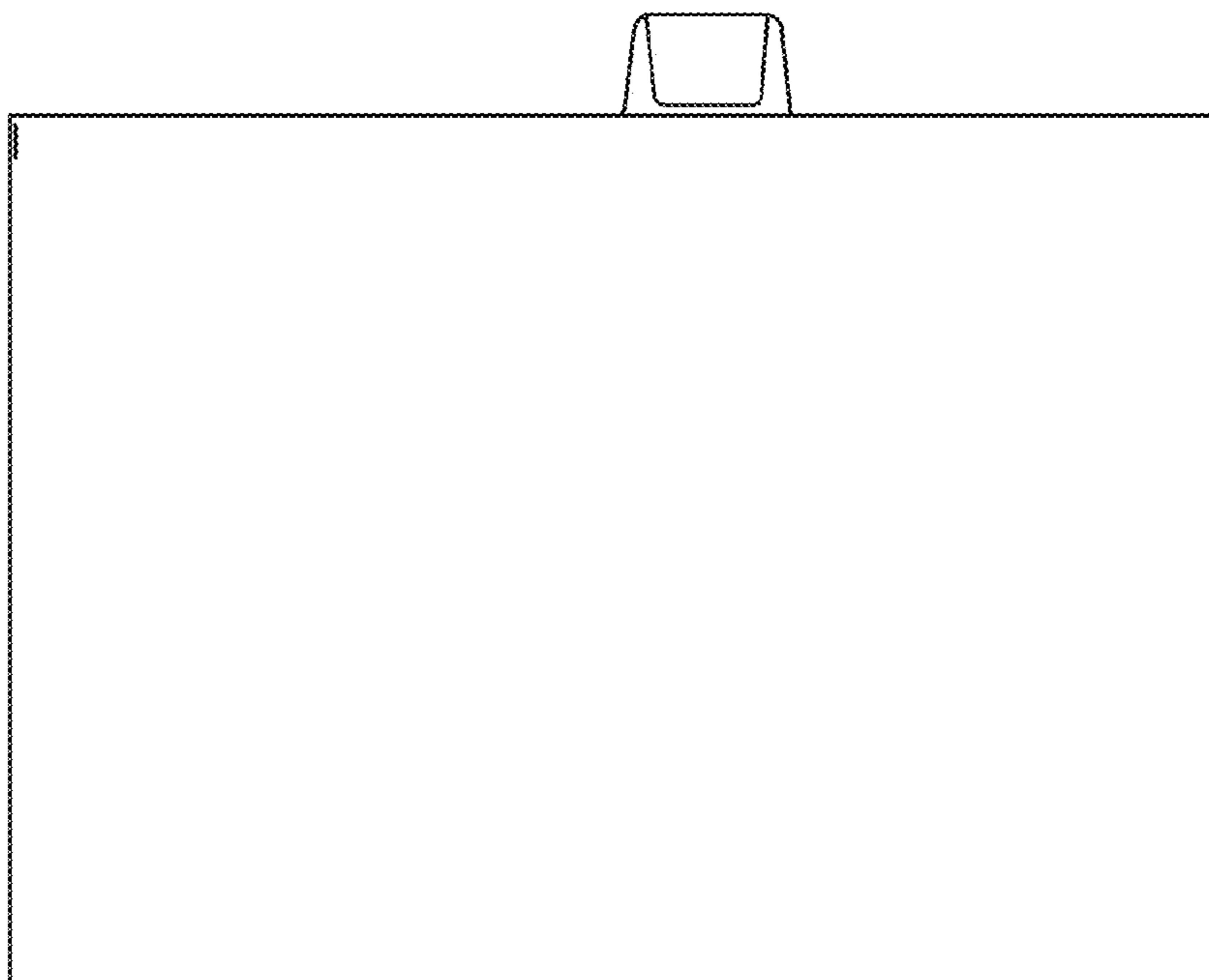


FIG. 46



FIG. 47



FIG. 48



FIG. 49





FIG. 50

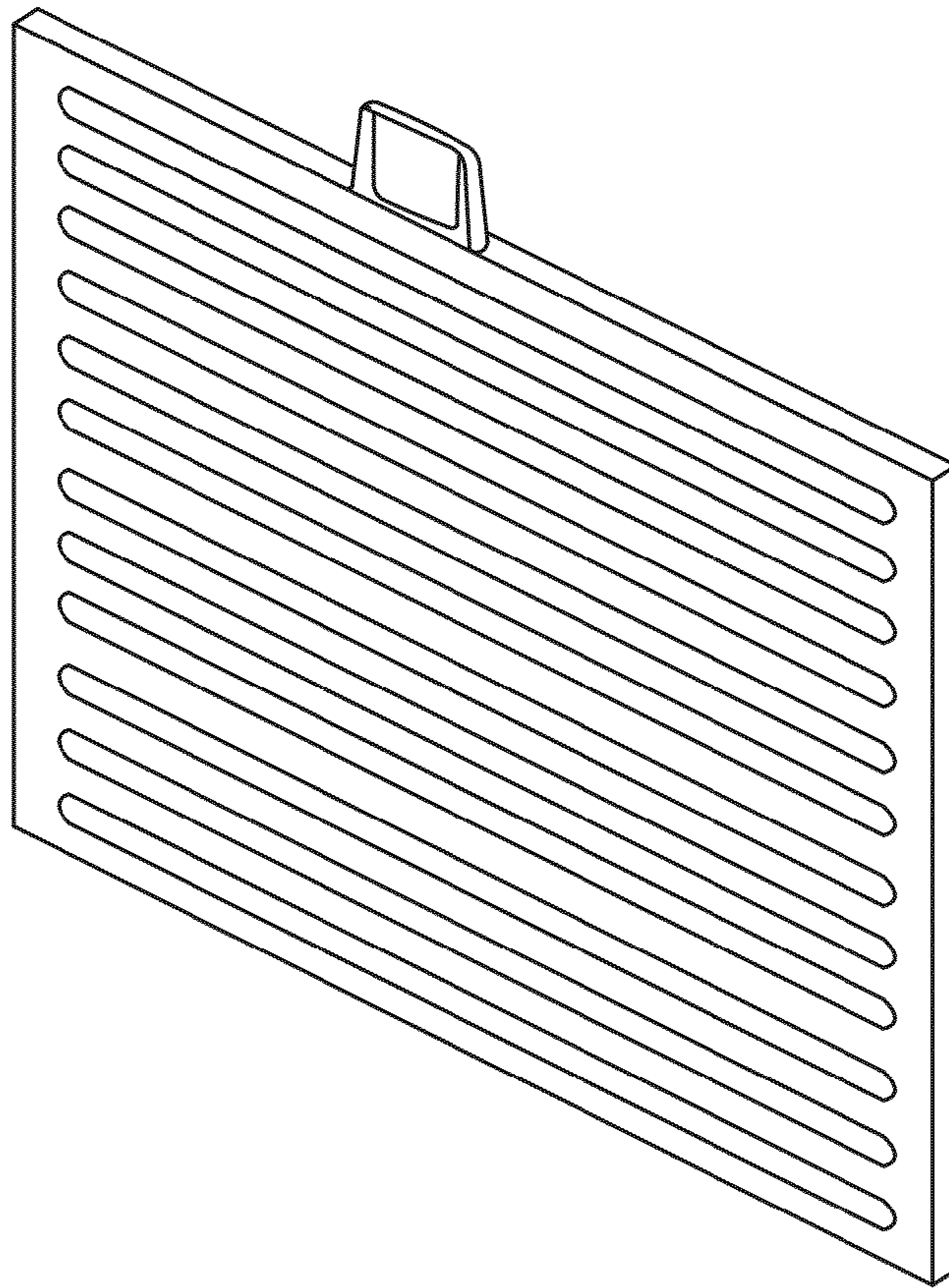


FIG. 51

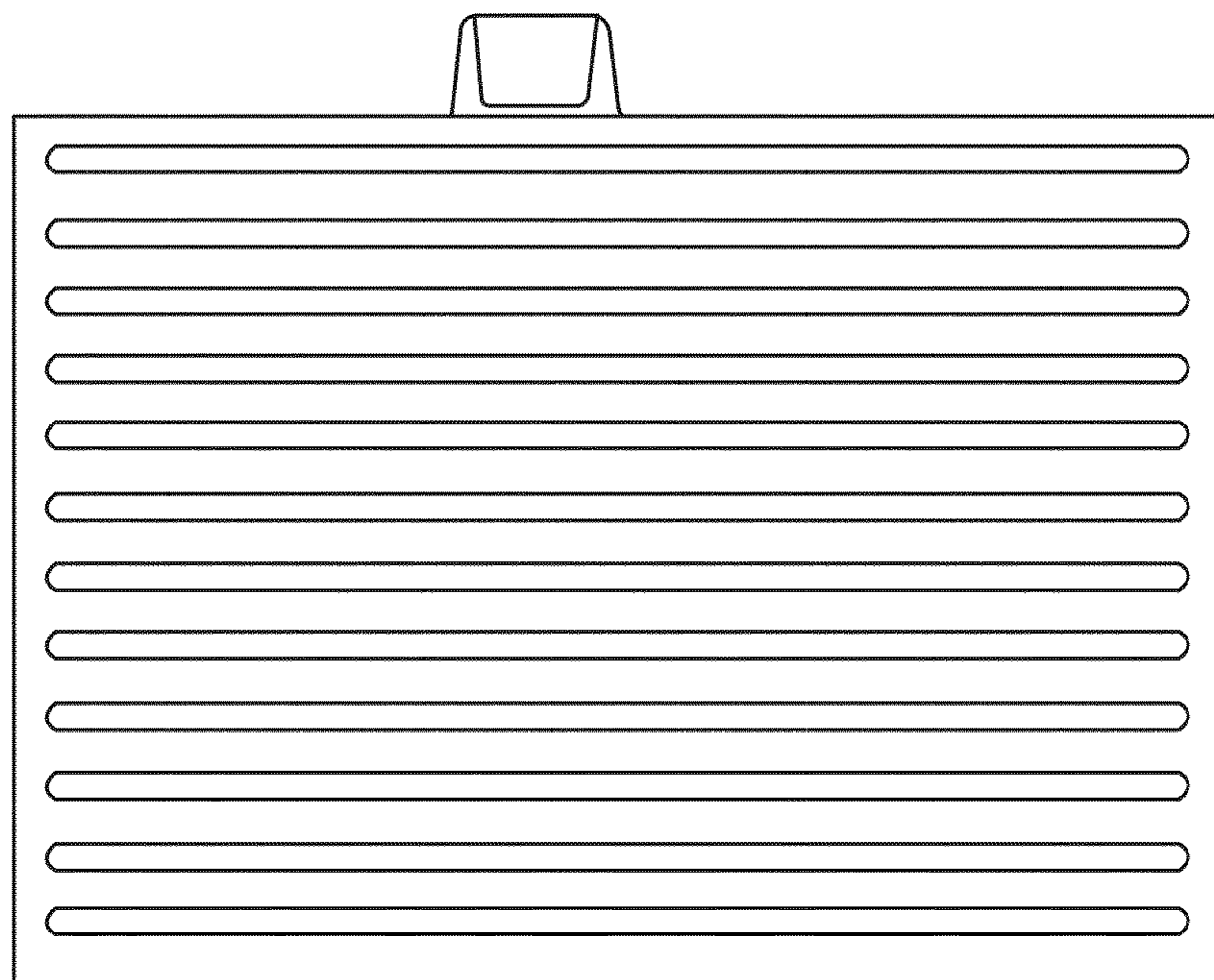


FIG. 52

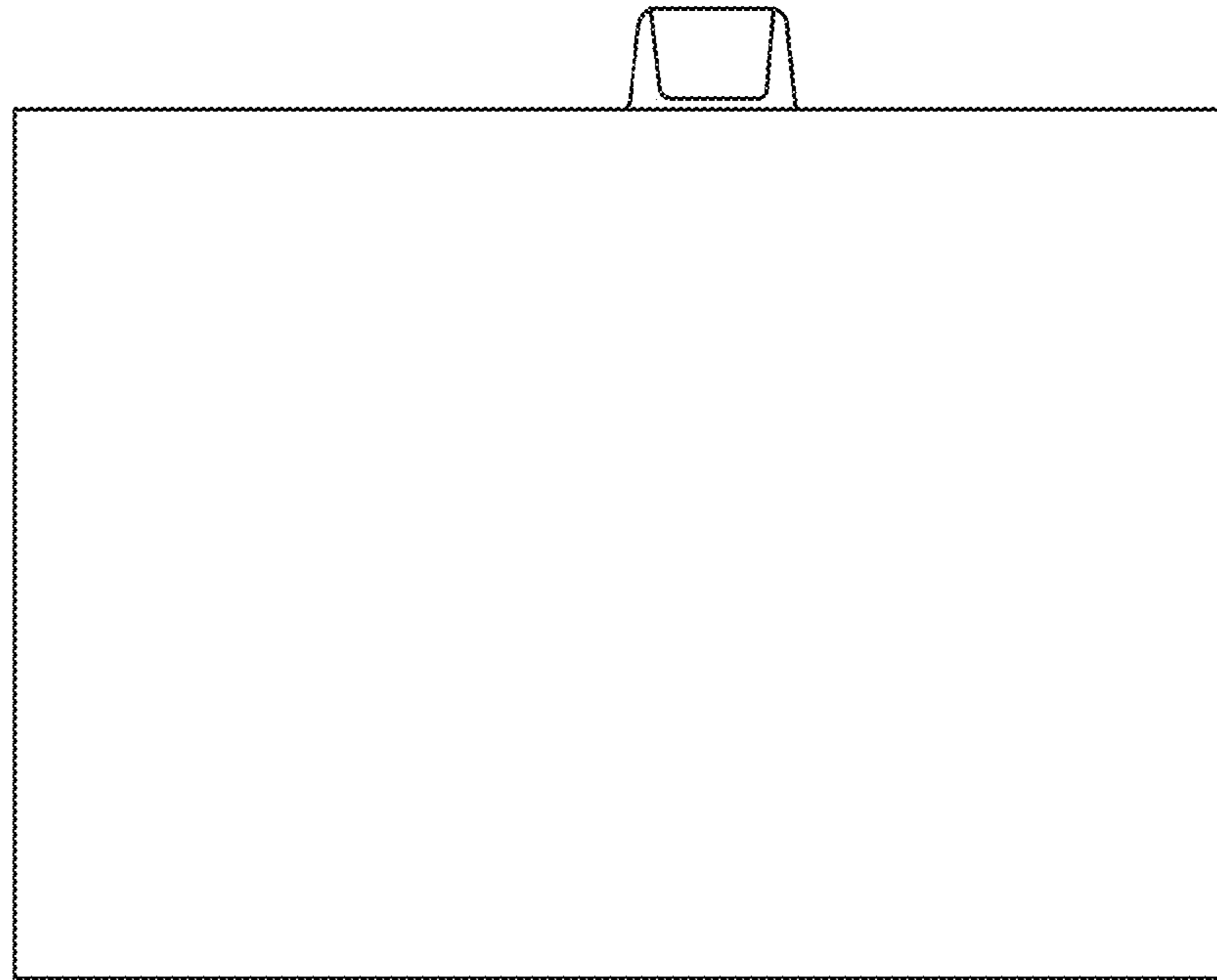


FIG. 53



FIG. 54



FIG. 55



FIG. 56

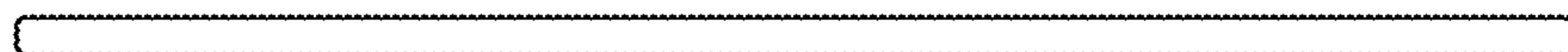


FIG. 57

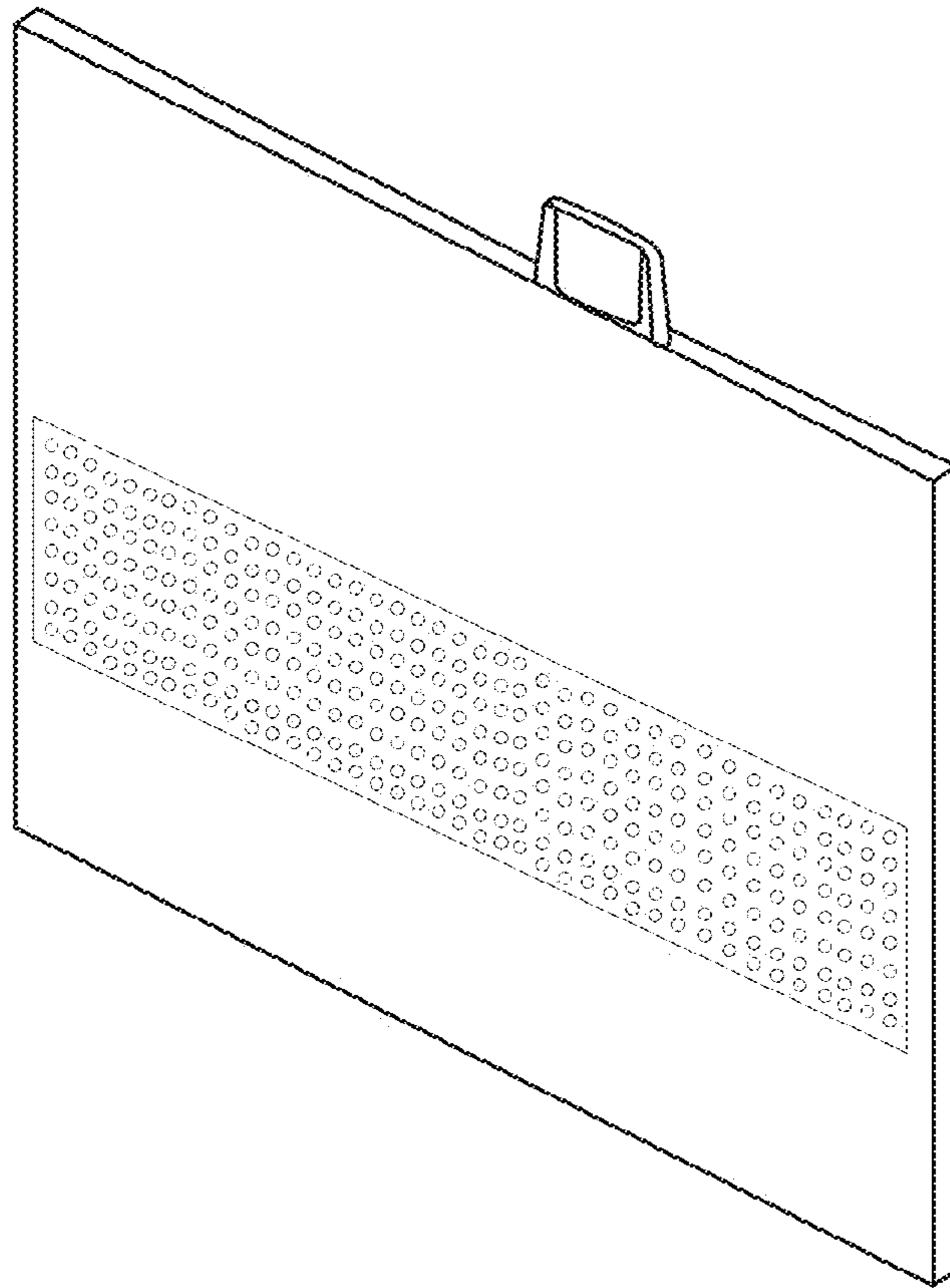


FIG. 58

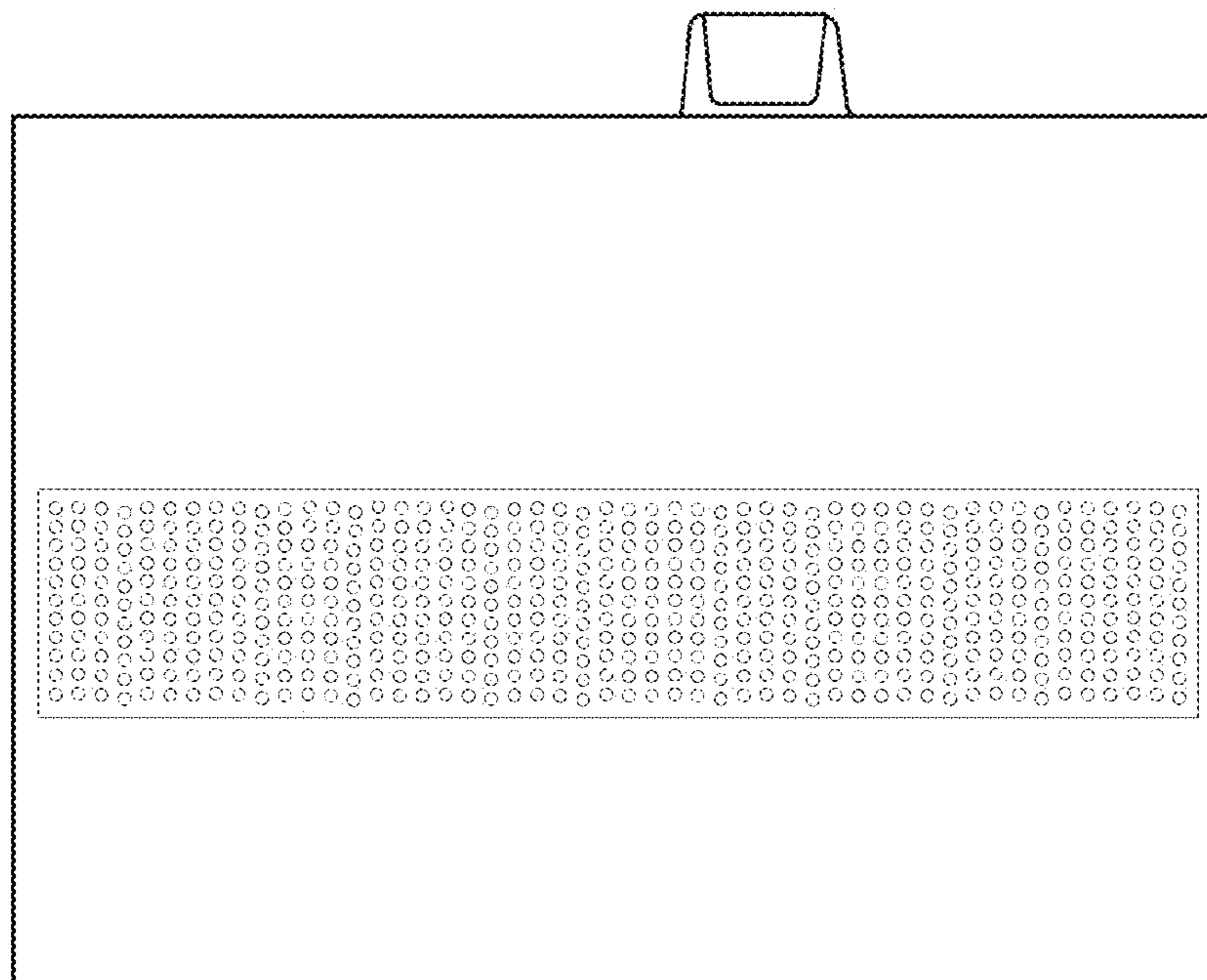


FIG. 59

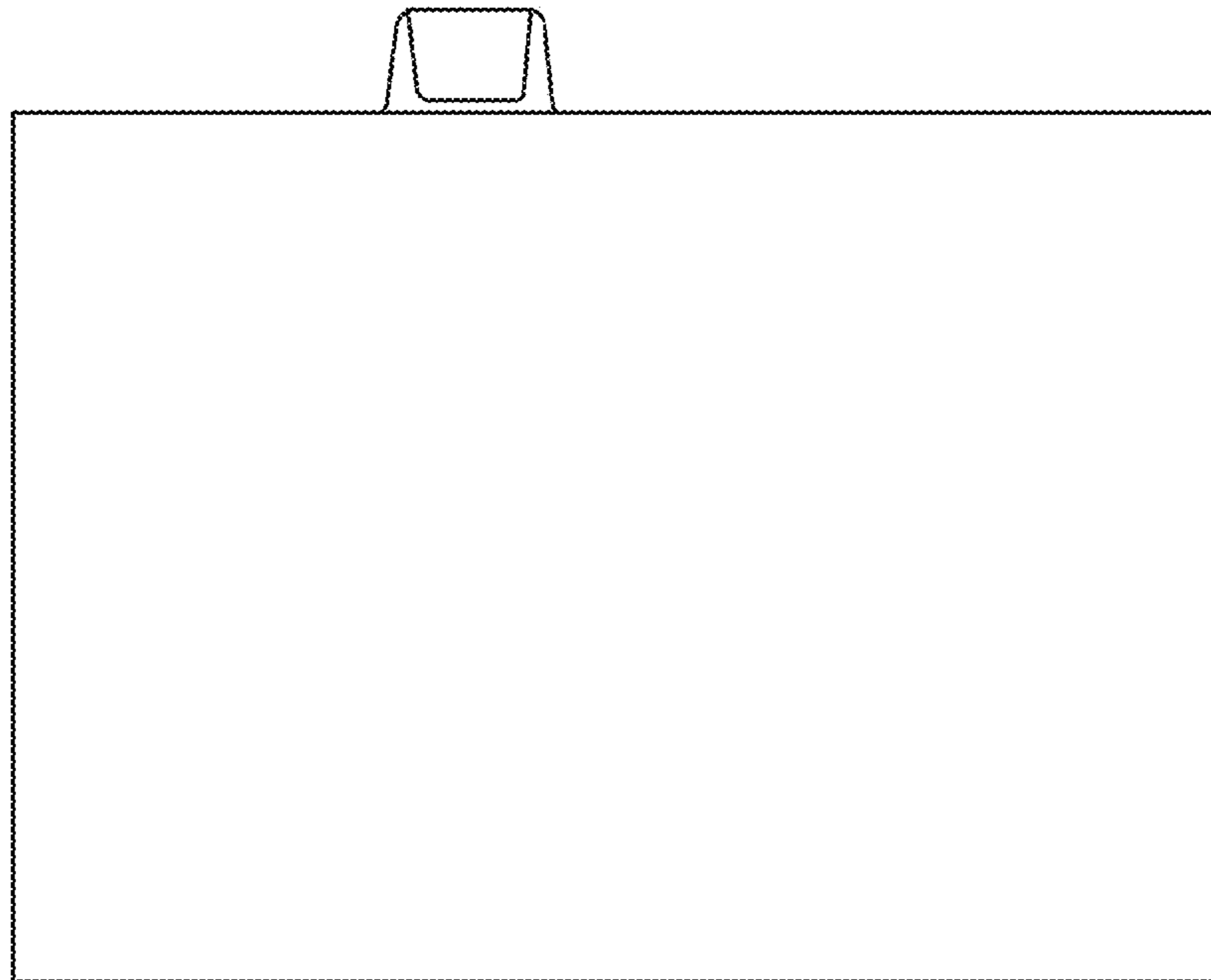


FIG. 60





FIG. 61

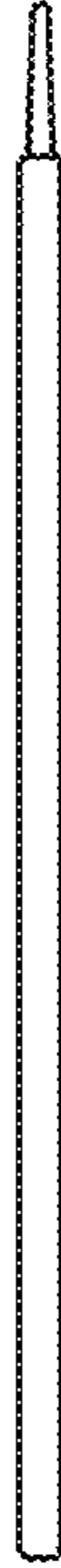


FIG. 62



FIG. 63

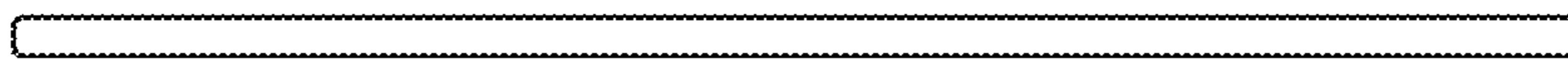


FIG. 64

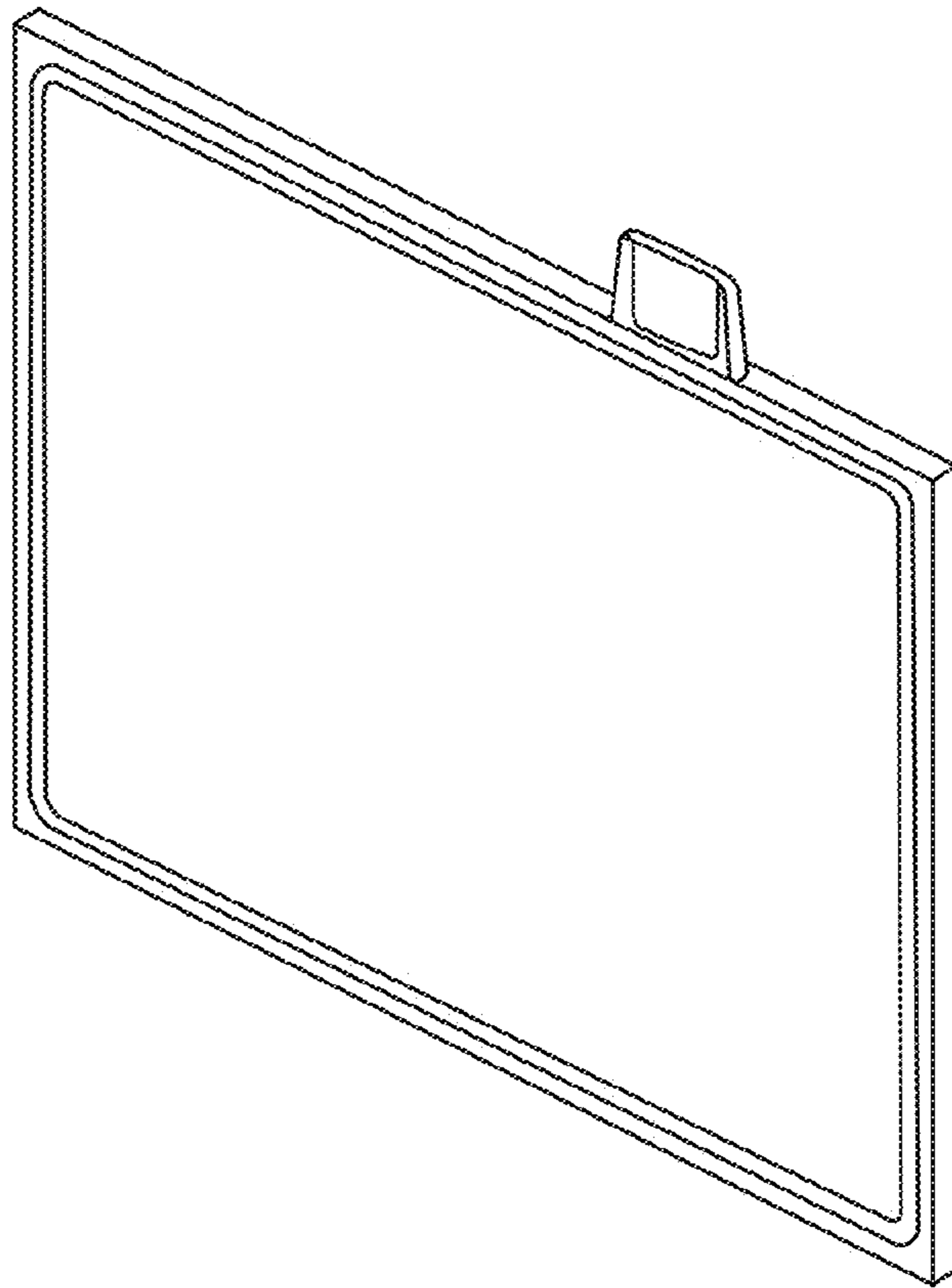


FIG. 65

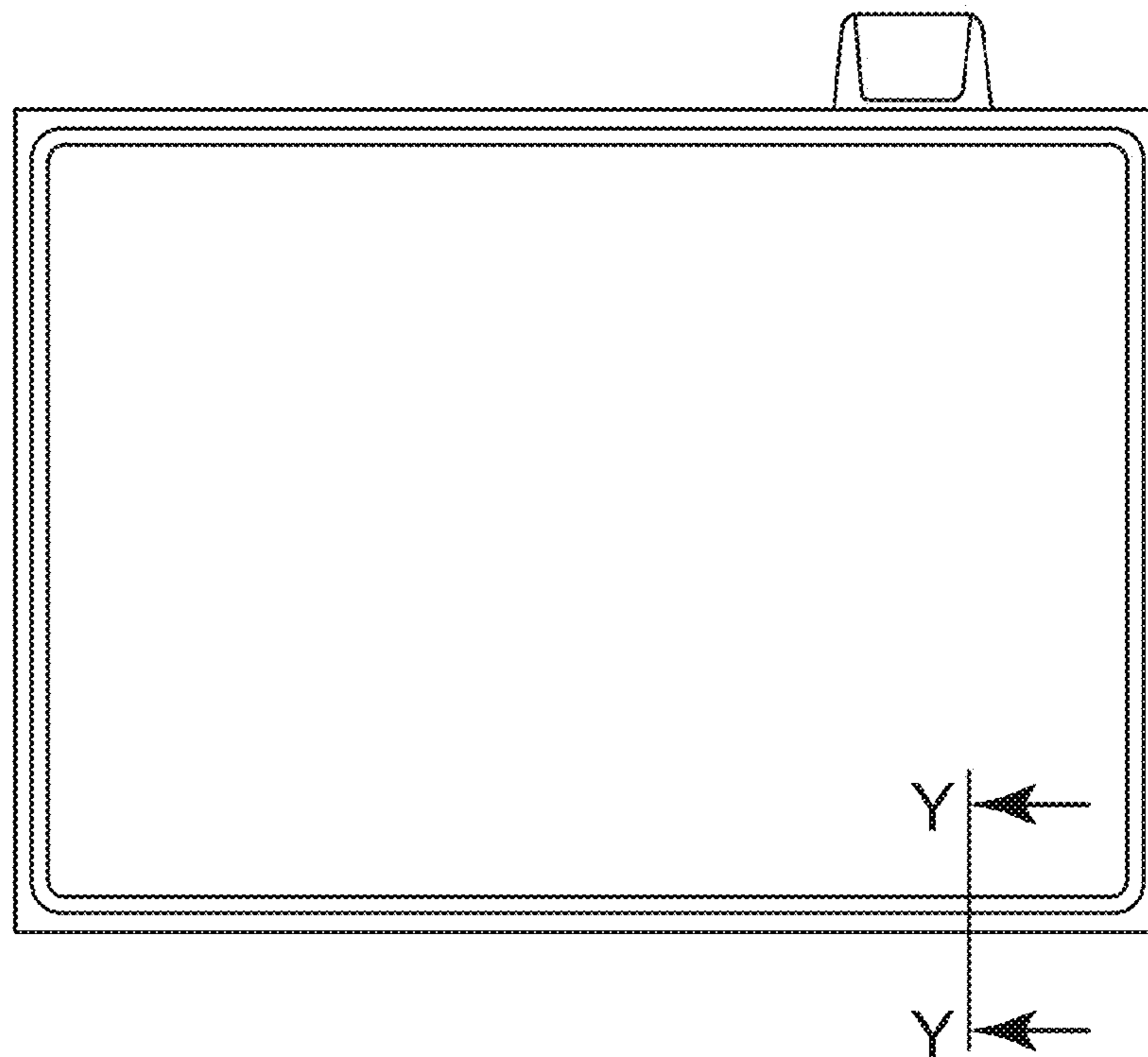


FIG. 66

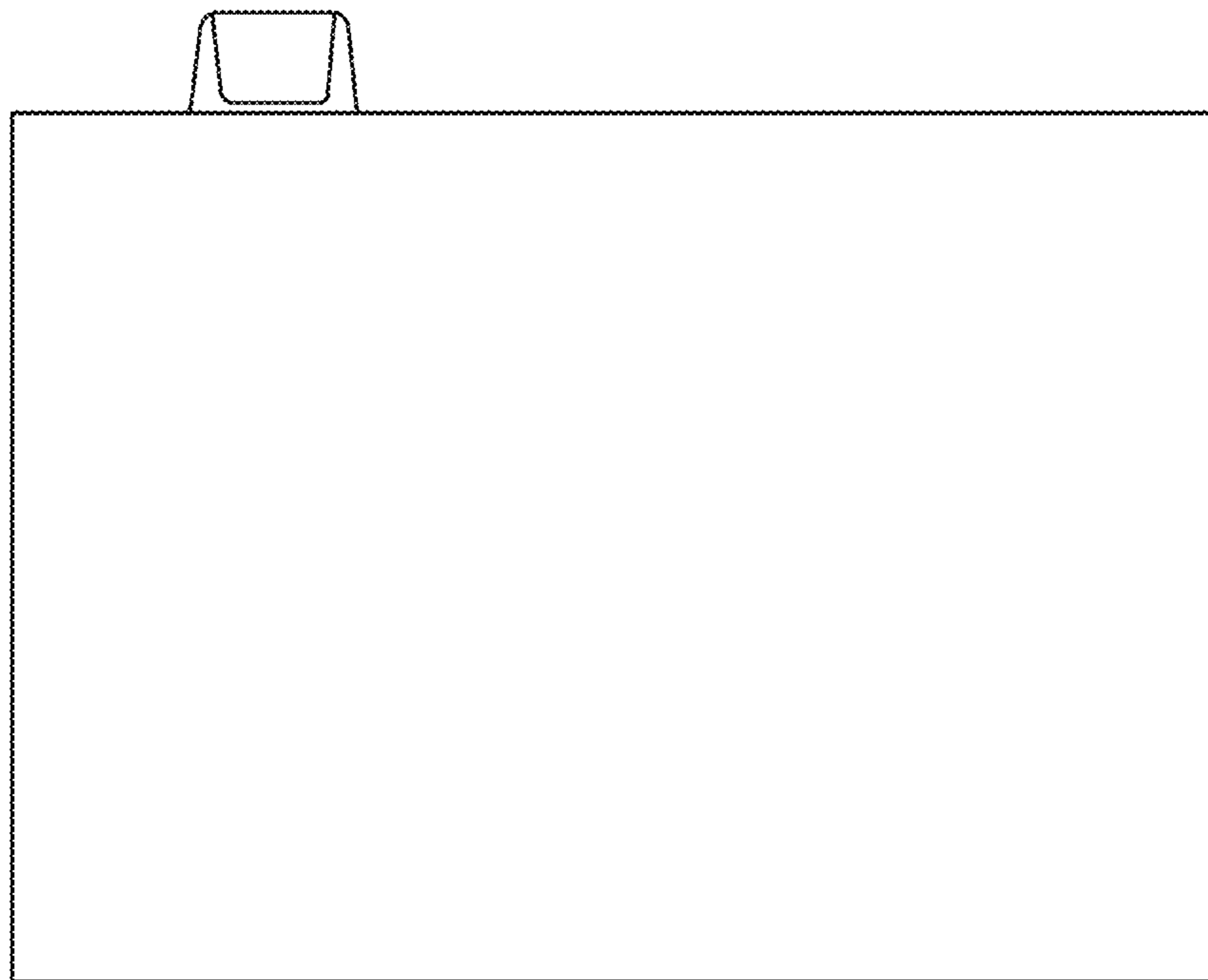


FIG. 67

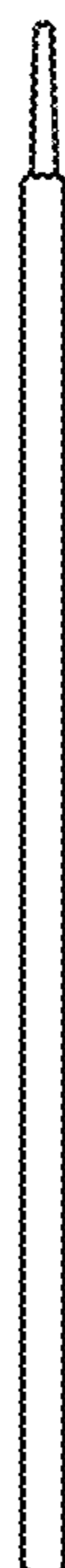


FIG. 68



FIG. 69



FIG. 70

