



US00D757502S

(12) **United States Design Patent**
O'Halloran et al.

(10) **Patent No.:** **US D757,502 S**

(45) **Date of Patent:** **** May 31, 2016**

(54) **APPLE DIVIDER**

B26D 7/2614; B26D 7/2621; B26D 7/2456;
A47J 25/00

(71) Applicants: **Jeremy Donald O'Halloran**, Pittsburgh, PA (US); **Dino Anthony Mariano**, Pittsburgh, PA (US); **Gregoire Aby-Eva**, Pittsburgh, PA (US); **Michael Laskowski**, Pittsburgh, PA (US); **Mark Drayer**, New York, NY (US)

See application file for complete search history.

(72) Inventors: **Jeremy Donald O'Halloran**, Pittsburgh, PA (US); **Dino Anthony Mariano**, Pittsburgh, PA (US); **Gregoire Aby-Eva**, Pittsburgh, PA (US); **Michael Laskowski**, Pittsburgh, PA (US); **Mark Drayer**, New York, NY (US)

(56) **References Cited**

U.S. PATENT DOCUMENTS

7,266,894	B1 *	9/2007	Hinckley	B26D 1/0006 30/302
8,046,921	B2 *	11/2011	Mastroianni	A47J 25/00 30/113.2
2009/0249965	A1 *	10/2009	Hauser	A47J 25/00 99/552
2009/0282990	A1 *	11/2009	Farnum	B26D 3/26 99/537
2012/0102760	A1 *	5/2012	Hauser	B26D 3/26 30/302

(73) Assignee: **HELEN OF TROY LIMITED**, St. Michael (BB)

* cited by examiner

(**) Term: **14 Years**

Primary Examiner — Terry Wallace

(21) Appl. No.: **29/514,927**

(57) **CLAIM**

The ornamental design for an apple divider, as shown, and described.

(22) Filed: **Jan. 18, 2015**

(51) **LOC (10) Cl.** **07-04**

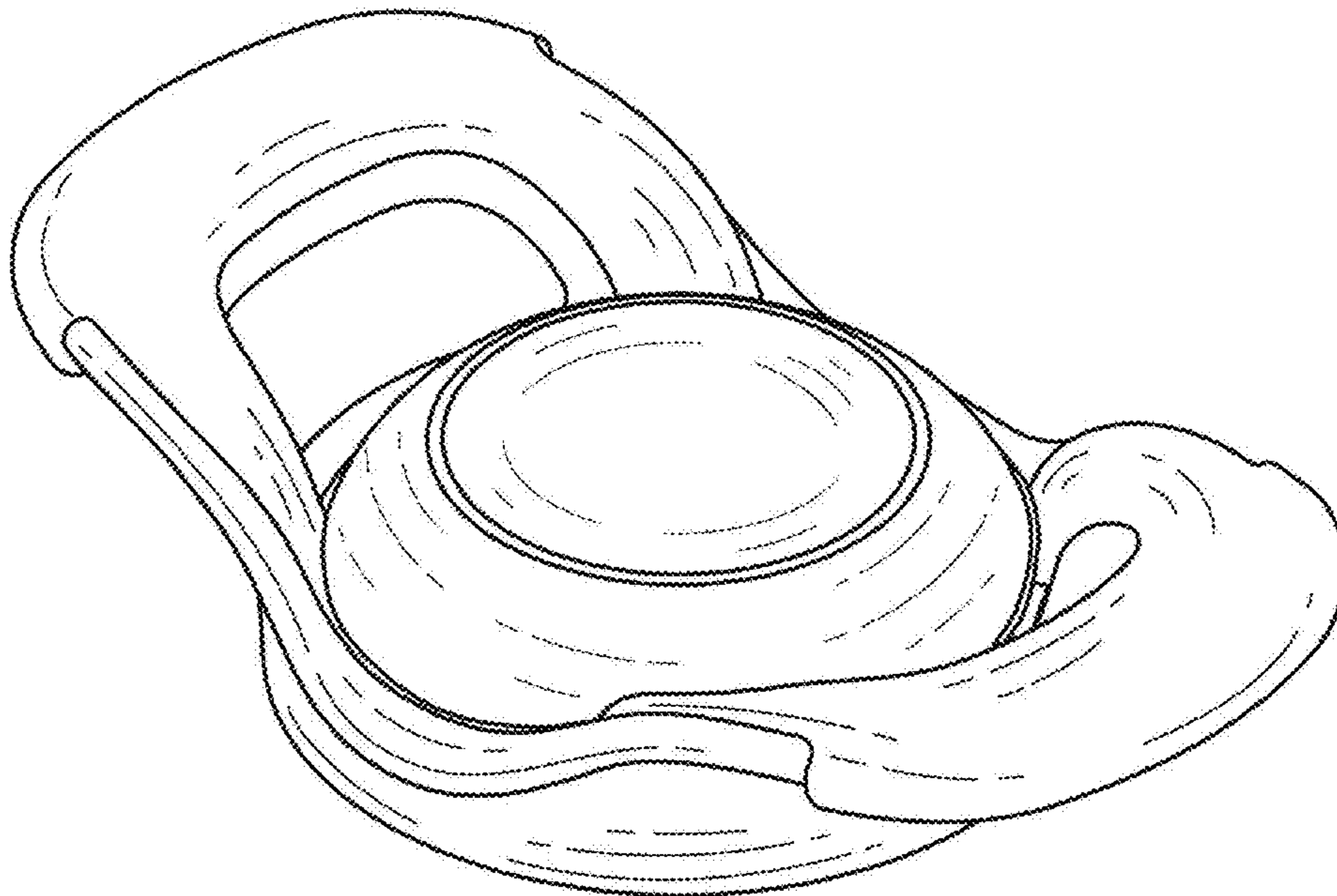
(52) **U.S. Cl.**
USPC **D7/673; D7/693**

DESCRIPTION

(58) **Field of Classification Search**
USPC D7/672-677, 693
CPC B26D 1/0006; B26D 3/26; B26D 3/24;
B26D 7/18; B26D 7/0608; B26D 3/245;

FIG. 1 is a perspective view of the apple divider;
FIG. 2 is a top view of the apple divider;
FIG. 3 is a bottom view of the apple divider;
FIG. 4 is a front view of the apple divider; and,
FIG. 5 is a left side view of the apple divider.

1 Claim, 5 Drawing Sheets



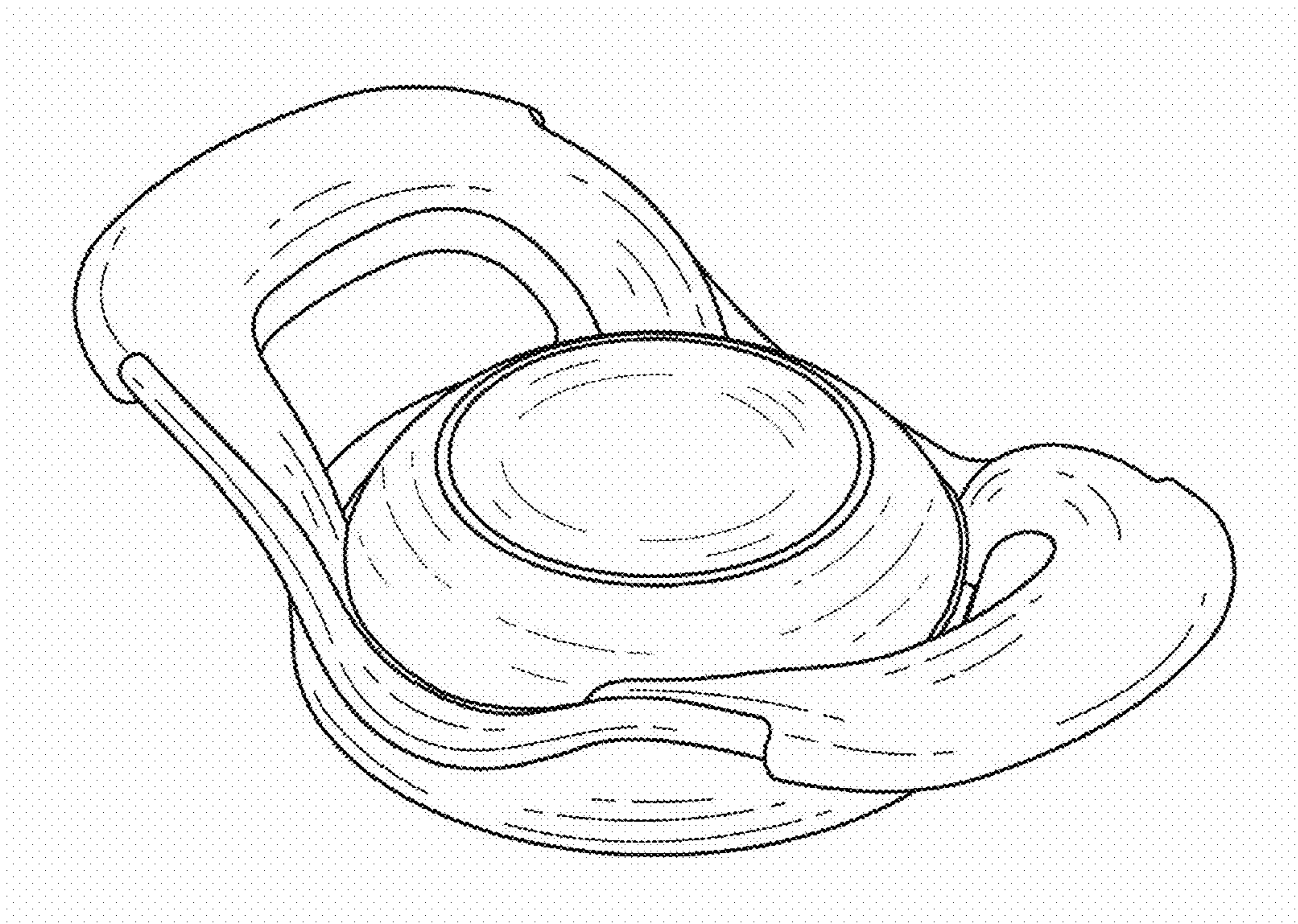


Figure 1

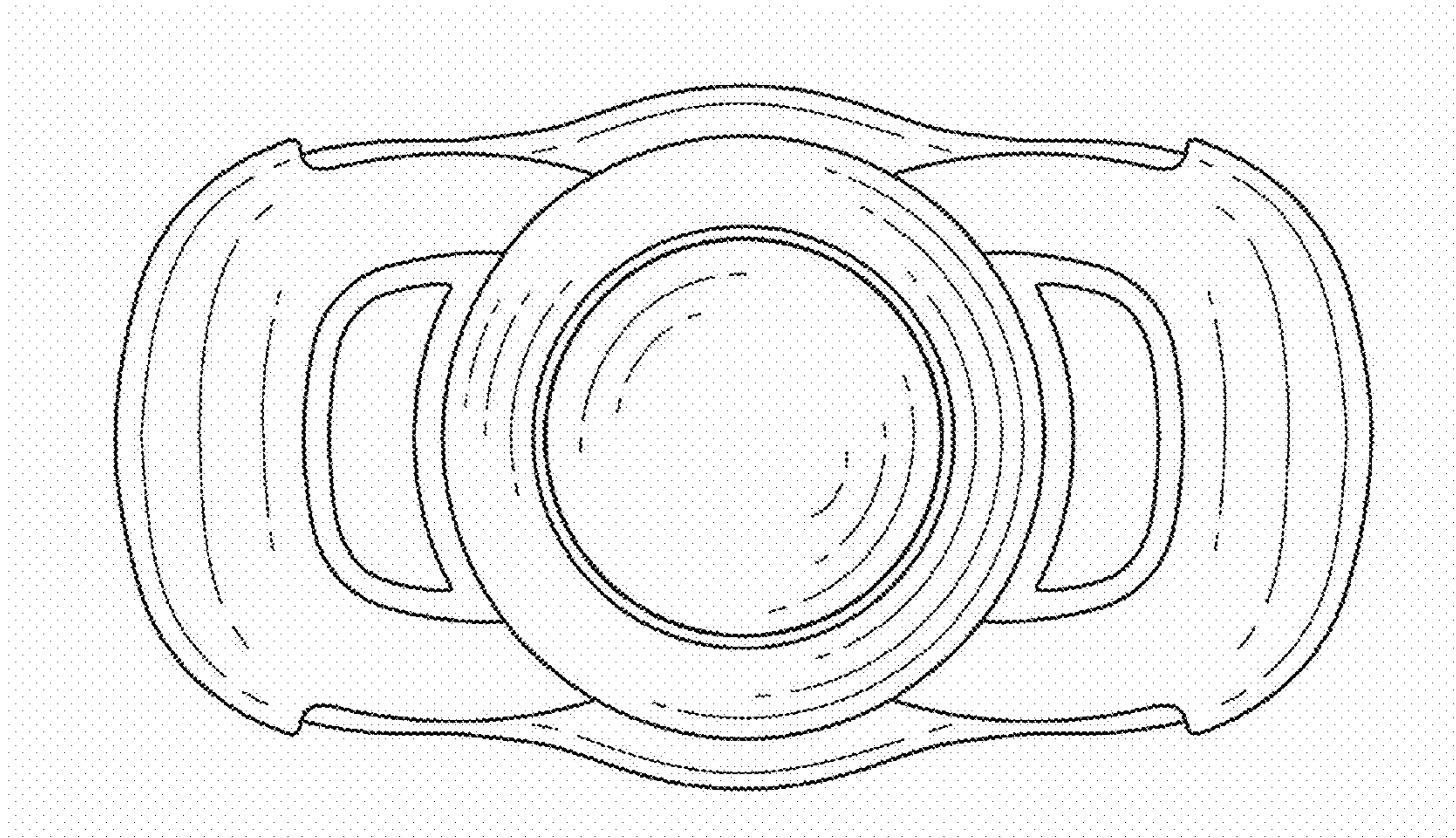


Figure 2

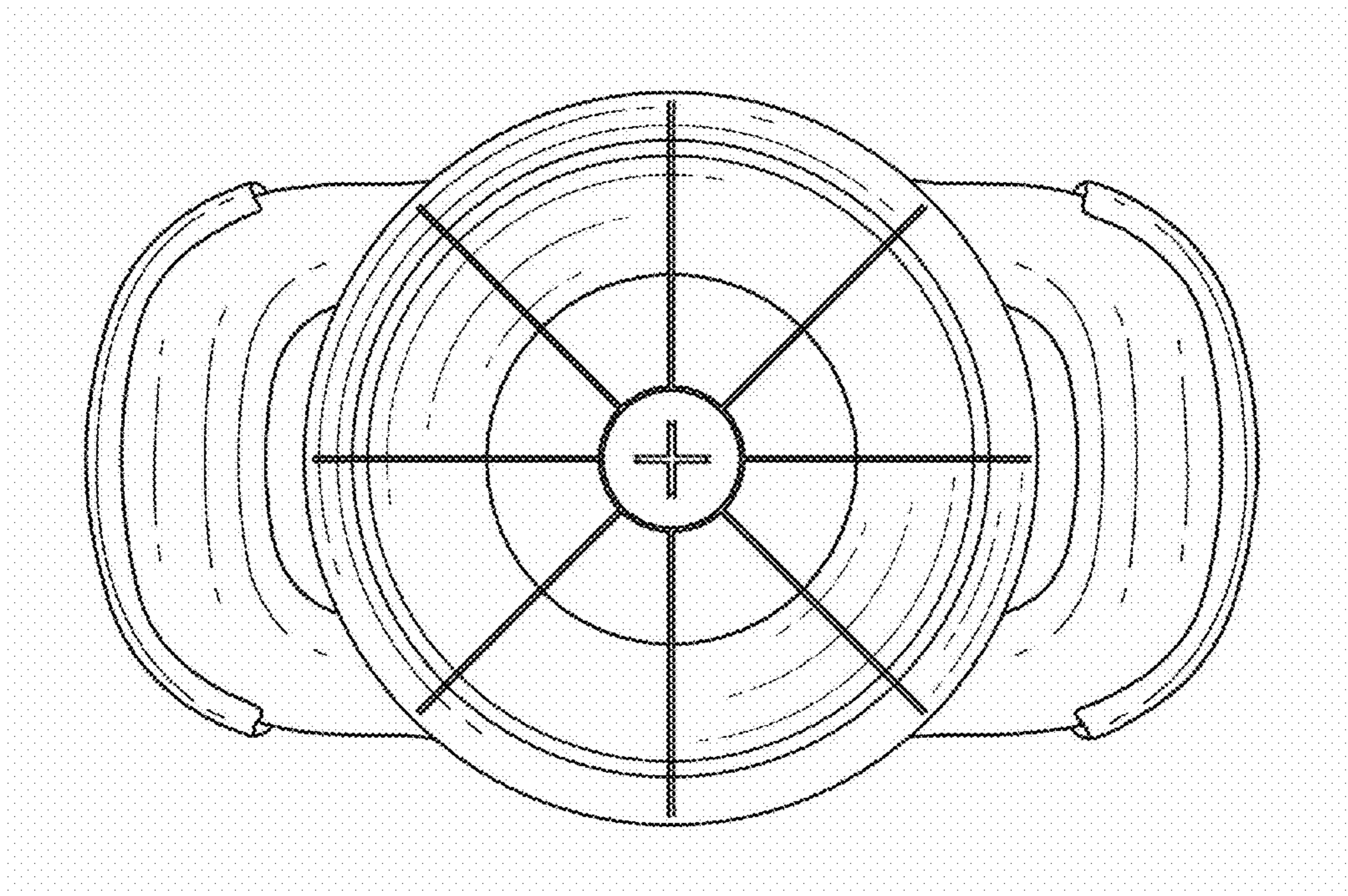


Figure 3

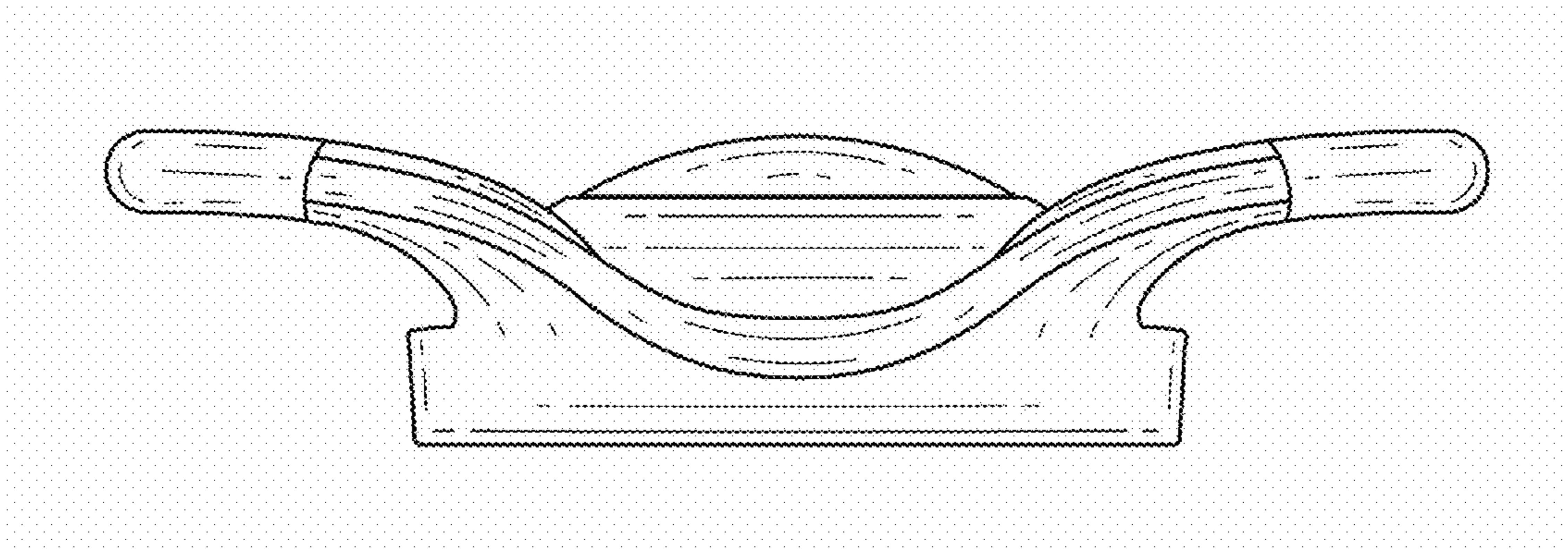


Figure 4

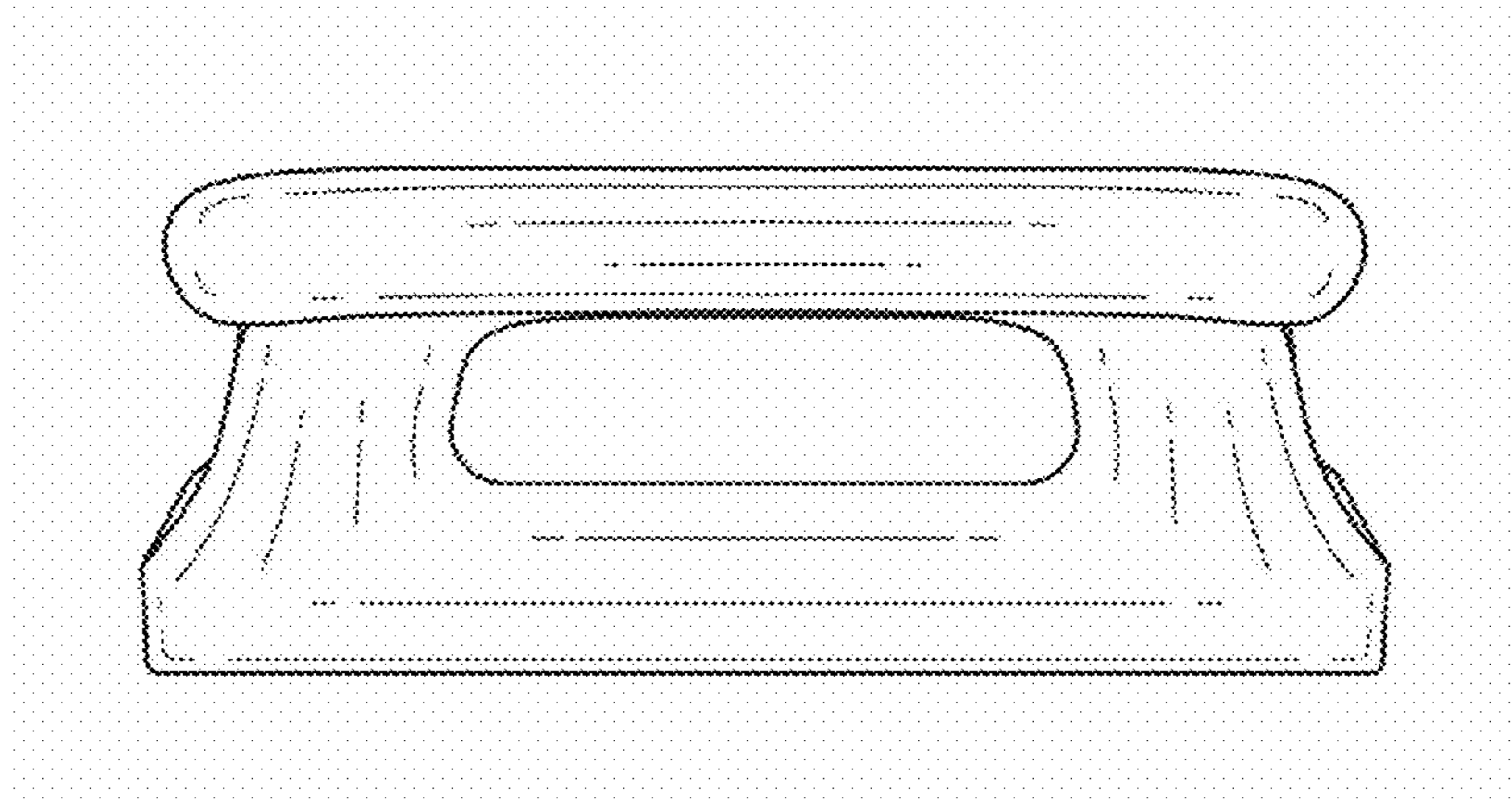


Figure 5