

US00D757500S

(12) **United States Design Patent**
Hauser et al.

(10) **Patent No.:** **US D757,500 S**
(45) **Date of Patent:** **** May 31, 2016**

- (54) **SALAD SPINNER BOWL WITH BASE**
- (71) Applicant: **Progressive International Corporation,**
Kent, WA (US)
- (72) Inventors: **Lawrence M. Hauser,** Auburn, WA
(US); **Jennifer K. Cotter,** Seattle, WA
(US)
- (73) Assignee: **Progressive International Corporation,**
Kent, WA (US)
- (**) Term: **14 Years**
- (21) Appl. No.: **29/502,014**
- (22) Filed: **Sep. 10, 2014**
- (51) **LOC (10) Cl.** **07-04**
- (52) **U.S. Cl.**
USPC **D7/665**
- (58) **Field of Classification Search**
USPC D7/587, 584, 629, 630, 505, 586, 500,
D7/602, 665-668; 99/495; 34/58; 206/541
CPC A47J 43/24; A47J 43/0727
See application file for complete search history.

- D608,603 S * 1/2010 Hauser D7/665
- D609,981 S * 2/2010 Jossem D7/665
- D629,264 S * 12/2010 Curtin D7/602
- D645,307 S * 9/2011 Shamoan D7/545
- D651,865 S * 1/2012 Smyers D7/584
- D659,913 S * 5/2012 Spectre D30/130
- 8,215,230 B2 7/2012 Curtin
- D666,458 S * 9/2012 Montgomery D7/586
- D682,048 S * 5/2013 Perry D7/665
- D684,017 S * 6/2013 Wong D7/629
- D694,477 S * 11/2013 Rowe D30/132
- D732,353 S * 6/2015 Wong D7/665
- D745,228 S * 12/2015 Scaba D30/129

(Continued)

FOREIGN PATENT DOCUMENTS

- GB 405485 2/1934
- Primary Examiner* — Rosemary K Tarcza
- Assistant Examiner* — James Thorn, Sr.
- (74) *Attorney, Agent, or Firm* — Lowe Graham Jones PLLC

(57) **CLAIM**

We claim the ornamental design for the salad spinner bowl with base, as shown and described.

DESCRIPTION

FIG. 1 is a perspective view of a salad spinner bowl with base, showing my new design.

FIG. 2 is a front view of the salad spinner bowl with base.

FIG. 3 is a top view of the salad spinner bowl with base.

FIG. 4 is a right side view of the salad spinner bowl with base, the left side being a mirror image.

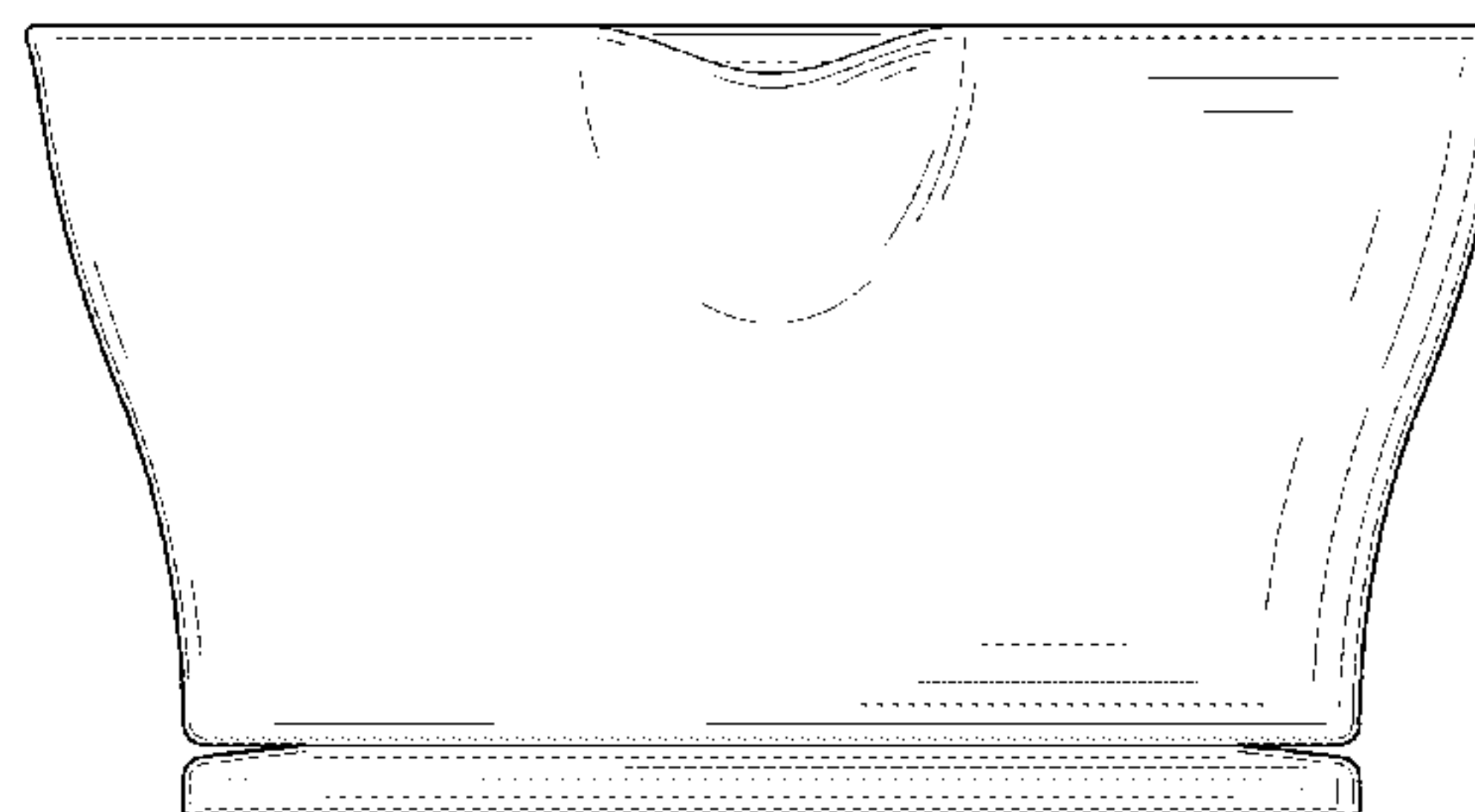
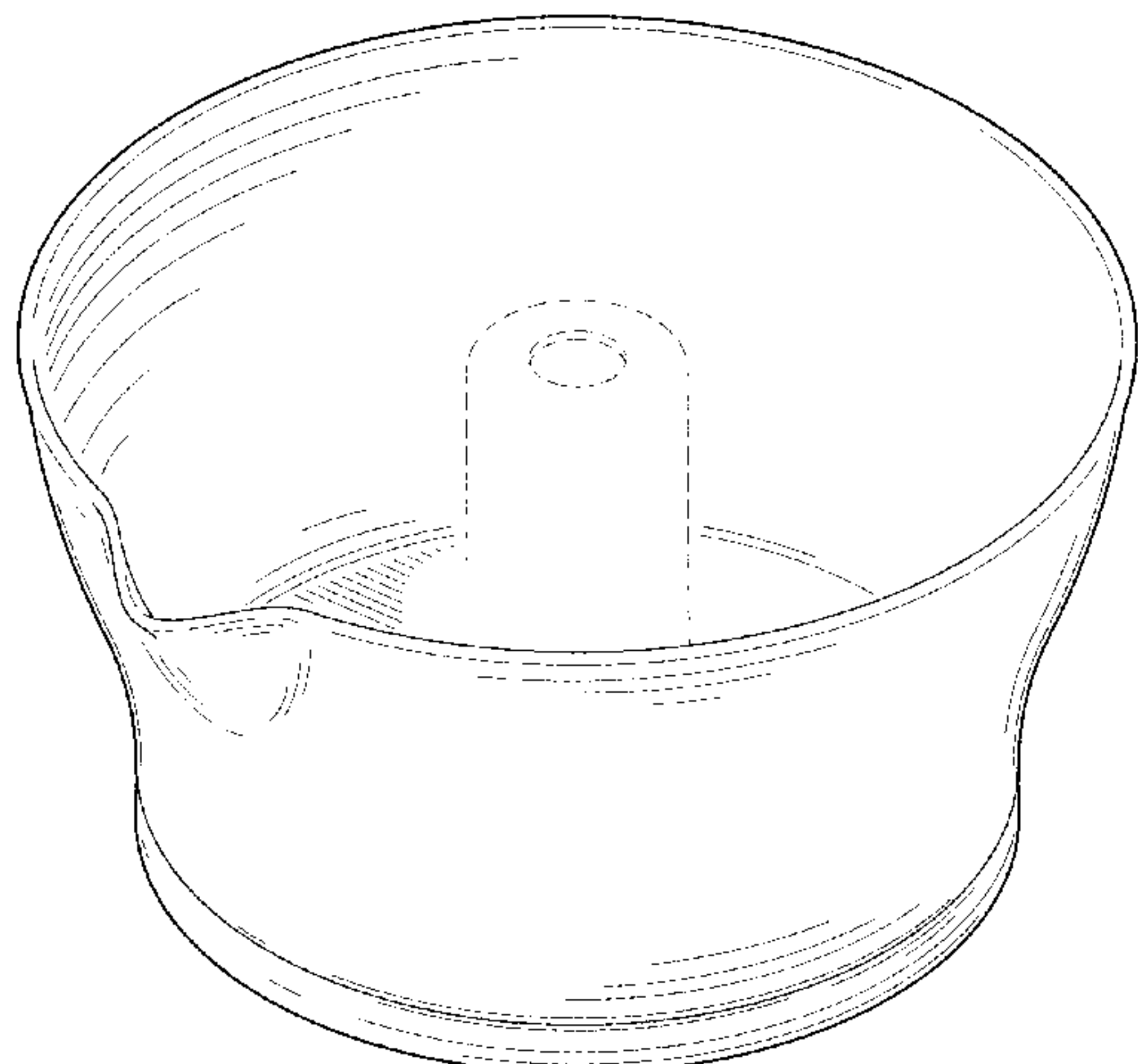
FIG. 5 is a rear view of the salad spinner bowl with base; and, FIG. 6 is a bottom view of the salad spinner bowl with base. The broken lines shown in the drawings are included for the purpose of illustrating environmental structure and form no part of the claimed design.

1 Claim, 6 Drawing Sheets

(56) **References Cited**

U.S. PATENT DOCUMENTS

- 4,702,162 A 10/1987 Sontheimer et al.
- D394,188 S * 5/1998 Reynaert D7/584
- D394,189 S * 5/1998 Reynaert D7/523
- 5,992,309 A 11/1999 Mulhauser et al.
- D441,315 S * 5/2001 Huffman D11/143
- 7,111,546 B2 9/2006 Siegel et al.
- D562,071 S * 2/2008 Yang D7/505
- D572,984 S * 7/2008 Jossem D7/665
- 7,448,315 B2 11/2008 Mulhauser et al.
- D593,807 S * 6/2009 Kong D7/586
- D596,464 S * 7/2009 Holcomb D7/554.2
- D598,246 S 8/2009 Curtin



US D757,500 S

Page 2

(56)

References Cited

U.S. PATENT DOCUMENTS

2014/0261018 A1*	9/2014	Katz	A47J 43/24 99/495
2014/0283692 A1*	9/2014	So	A47J 3/24 99/495
2007/0256315 A1*	11/2007	Wong	A47J 43/24 34/58
2008/0197046 A1*	8/2008	So	A47J 43/24 206/541

* cited by examiner

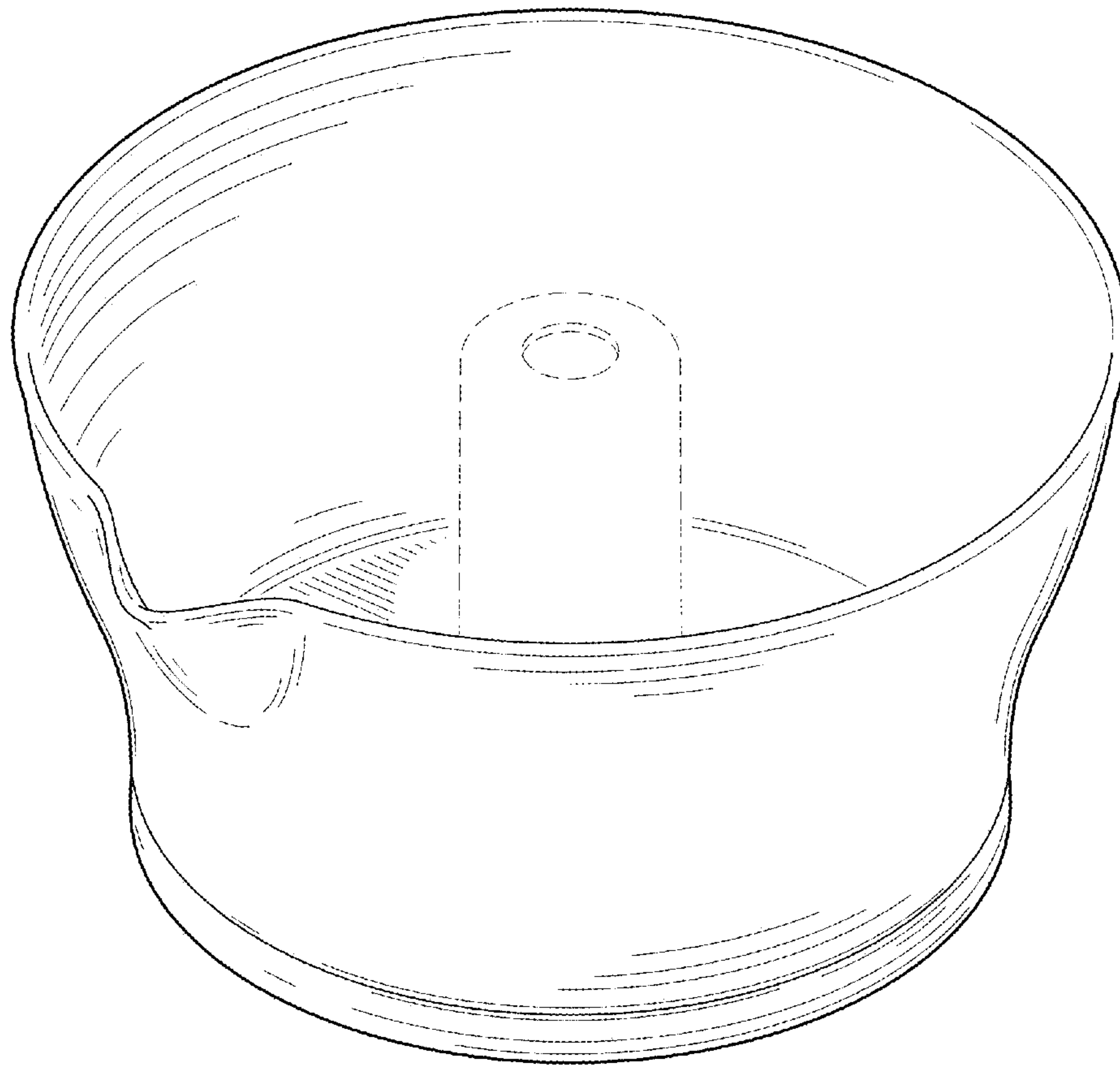


FIG.1

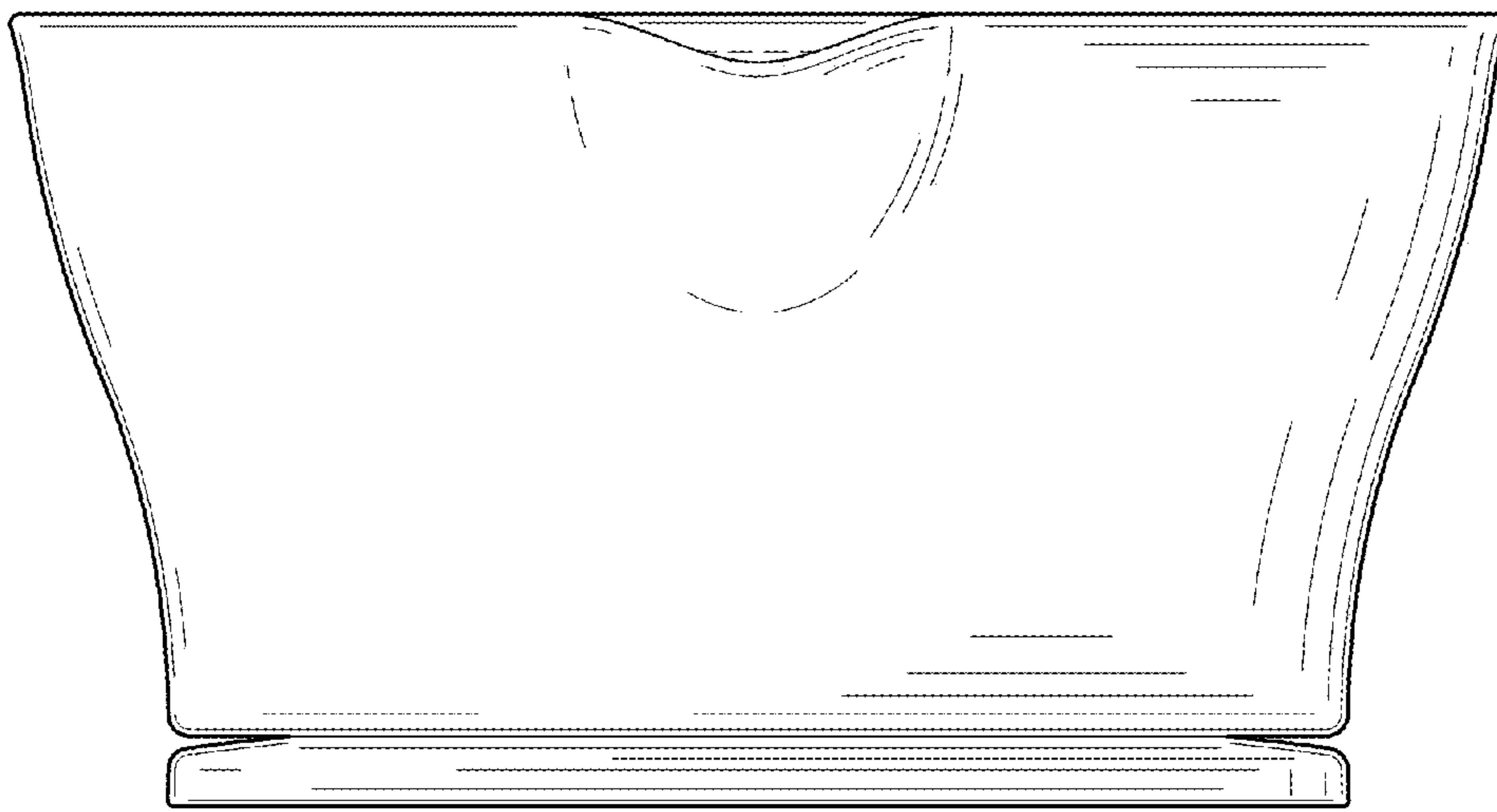


FIG.2

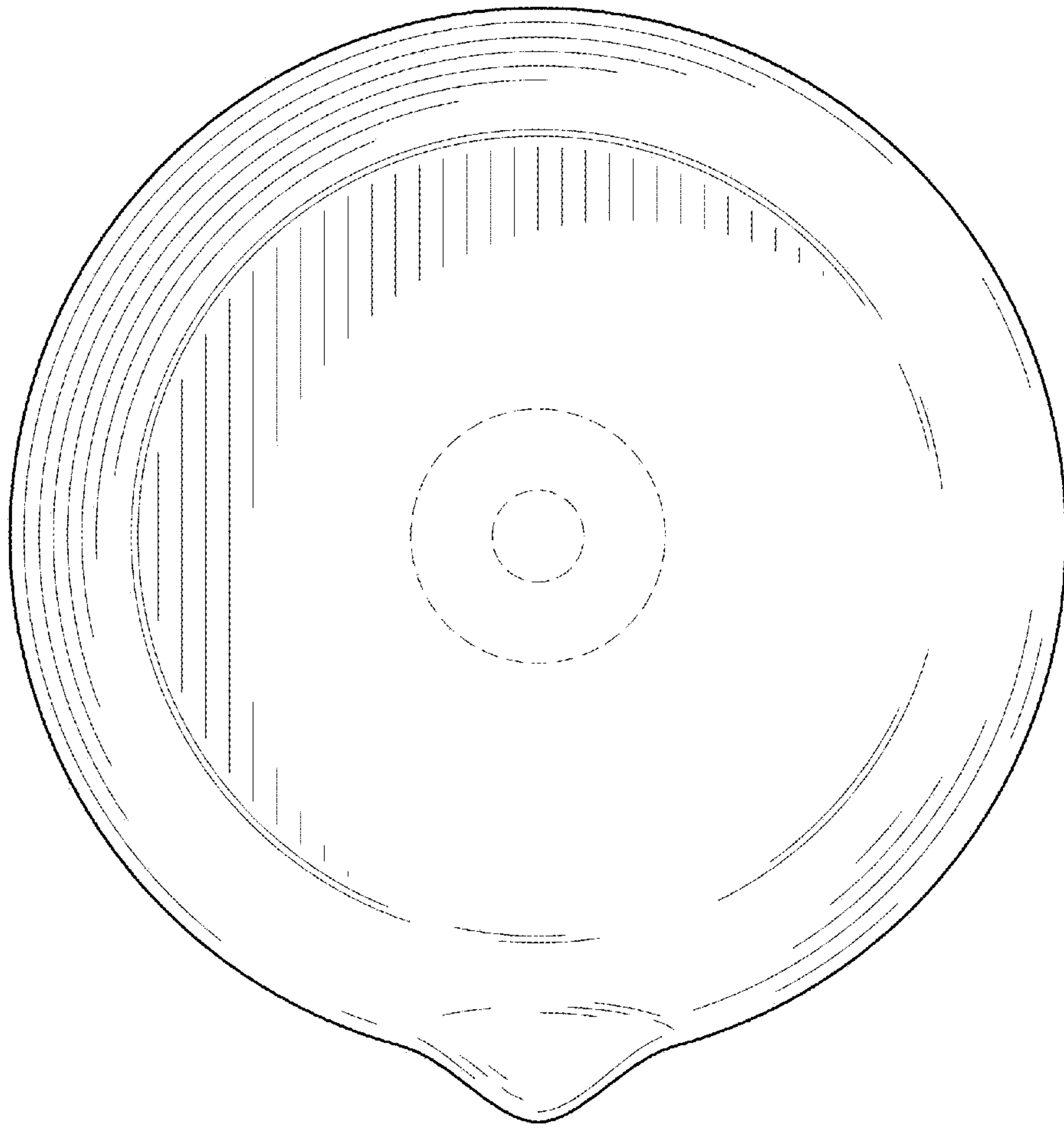


FIG. 3

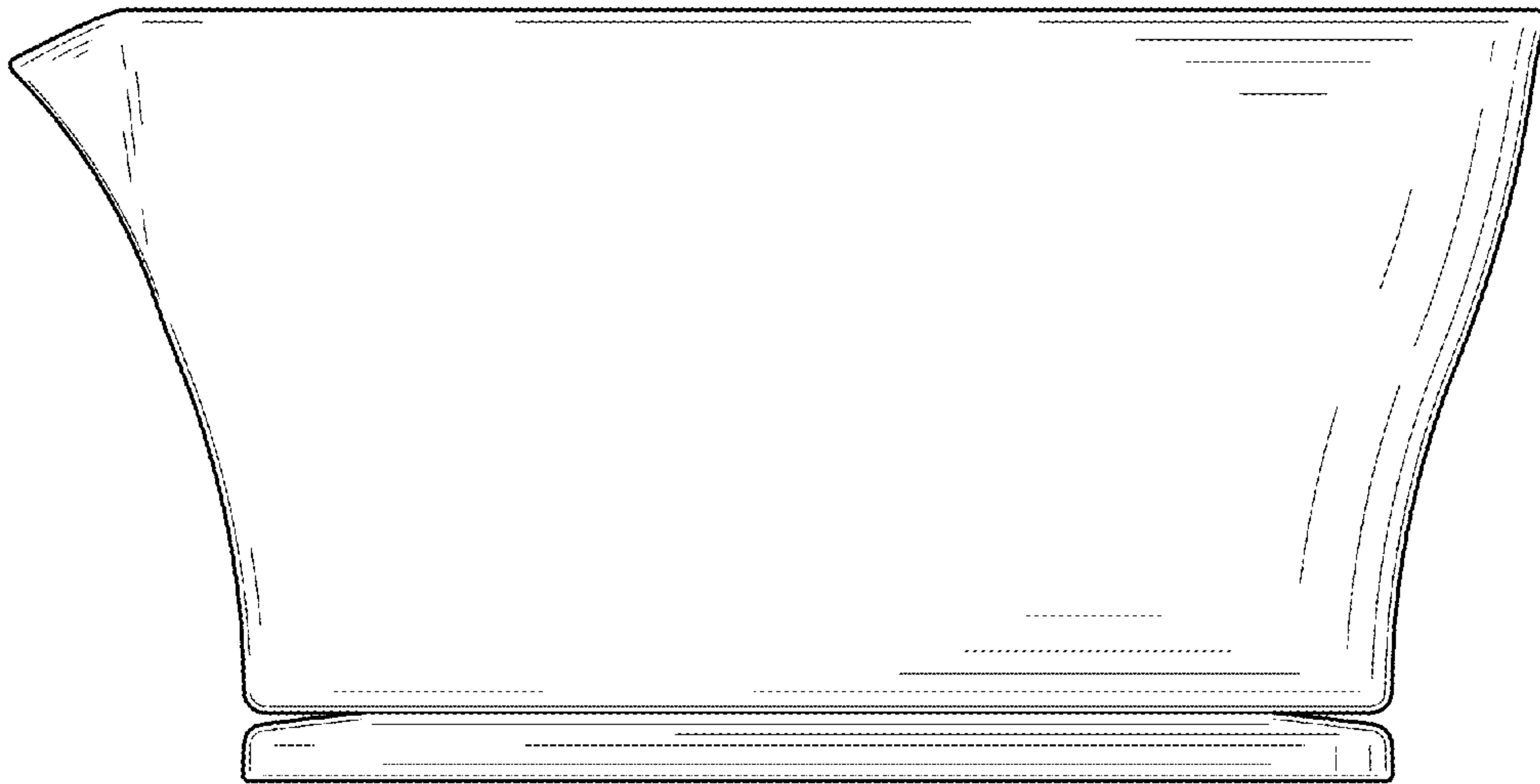


FIG.4

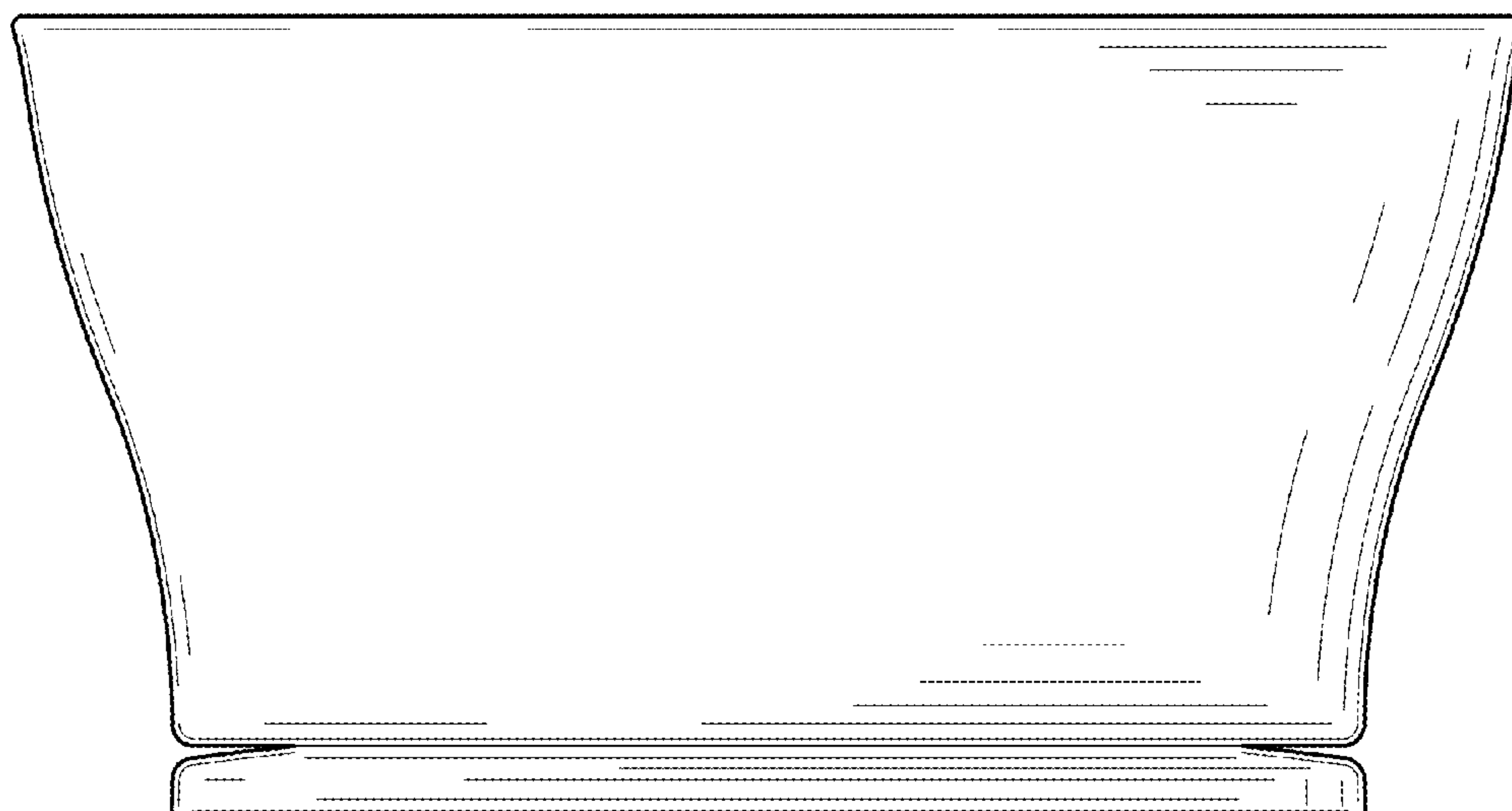


FIG. 5

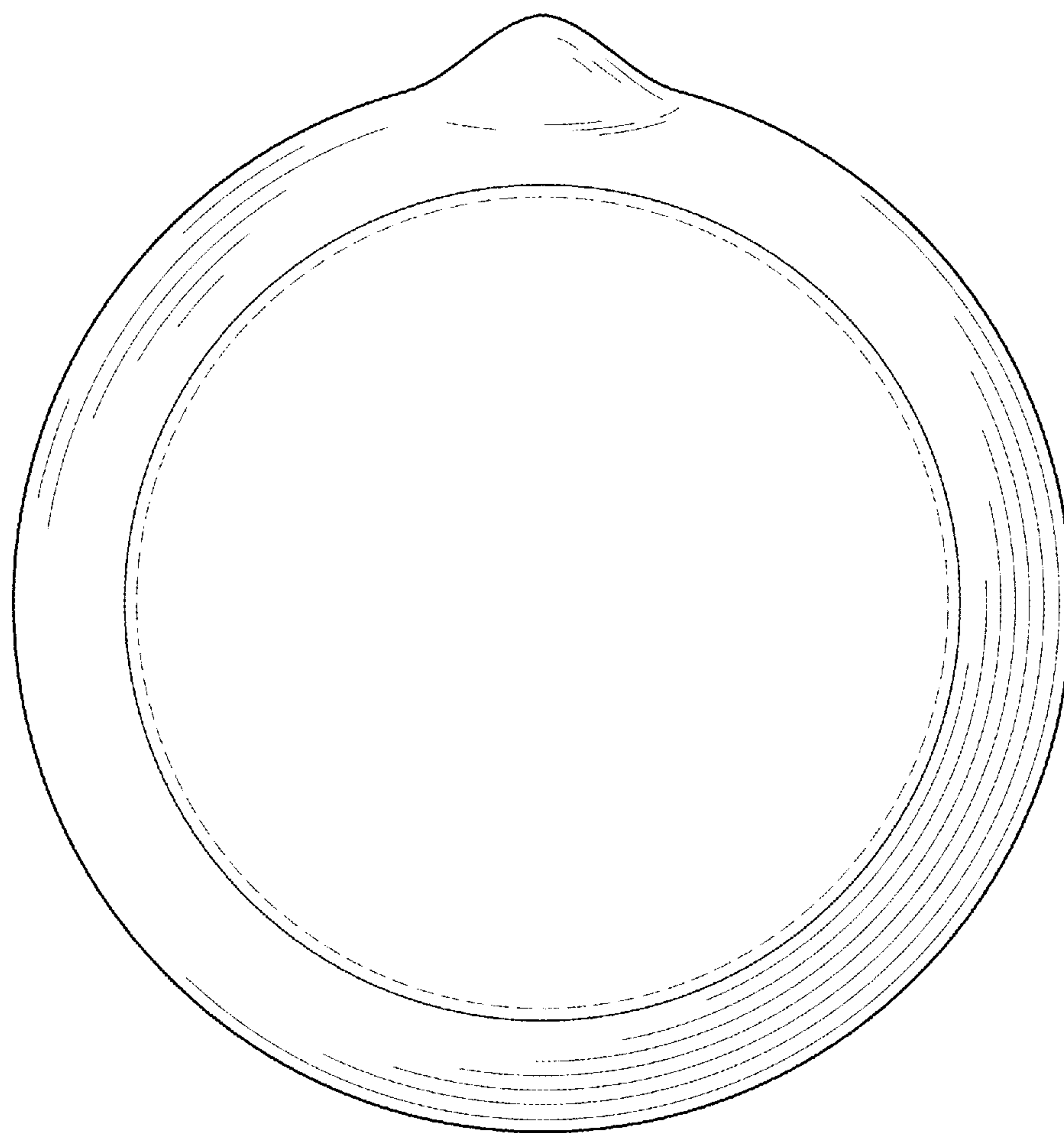


FIG. 6