



US00D757499S

(12) **United States Design Patent**  
**Arseneau et al.**

(10) **Patent No.:** **US D757,499 S**  
(45) **Date of Patent:** **\*\* May 31, 2016**

(54) **MUG WITH HANDLE**

(71) Applicants: **Allen Arseneau**, Hingham, MA (US);  
**Diana Arseneau**, Hingham, MA (US)

(72) Inventors: **Allen Arseneau**, Hingham, MA (US);  
**Diana Arseneau**, Hingham, MA (US)

(\*\*) Term: **14 Years**

(21) Appl. No.: **29/516,541**

(22) Filed: **Feb. 3, 2015**

(51) **LOC (10) Cl.** ..... **07-01**

(52) **U.S. Cl.**  
USPC ..... **D7/536; D7/533**

(58) **Field of Classification Search**  
USPC ..... D7/310, 312, 314, 315, 316, 317, 318,  
D7/319, 320, 591, 592, 598, 600, 622, 667,  
D7/668, 392, 392.1, 396.6, 503, 507, 509,  
D7/510, 511, 514, 515, 522, 513, 523, 533,  
D7/559, 535, 532, 403, 596, 536, 537,  
D7/600.2, 700, 401, 682, 394, 524, 525,  
D7/589; D9/500, 678, 669, 715, 719, 536,  
D9/528, 531, 534, 435, 440, 443; 215/380,  
215/382, 398, 396; 220/495.03, 23, 494;  
206/217; 229/400, 402, 404; 211/2, 6;  
D10/46.2

CPC ..... A47J 31/14; A47J 36/14; A47J 31/005;  
A47J 31/00; A47G 19/14; A47G 19/2272

See application file for complete search history.

(56) **References Cited**

**U.S. PATENT DOCUMENTS**

D101,865 S \* 11/1936 Fuerst ..... D7/533  
D157,859 S \* 3/1950 Glukes ..... 294/137  
D168,218 S \* 11/1952 Falk ..... D7/535  
D253,214 S \* 10/1979 Wilson ..... D7/535

D265,279 S \* 7/1982 Wright ..... 294/33  
D279,948 S \* 8/1985 Weernink ..... D7/536  
D291,405 S \* 8/1987 Finesman ..... D7/394  
4,957,224 A \* 9/1990 Kessler ..... A47G 19/12  
222/465.1  
D337,187 S \* 7/1993 Hampshire ..... D11/152  
D345,675 S \* 4/1994 Charland ..... D7/509  
D360,807 S \* 8/1995 Scholfield ..... D7/505  
D363,001 S \* 10/1995 Scholfield ..... D7/533  
D389,005 S \* 1/1998 Brady ..... D7/317  
D390,416 S \* 2/1998 Hippen ..... D7/318  
D409,446 S \* 5/1999 St. John ..... D7/413  
D433,866 S \* 11/2000 Cautereels ..... D7/316  
D433,877 S \* 11/2000 Bickert ..... D7/394  
D434,599 S \* 12/2000 Brady ..... D7/392  
D456,212 S \* 4/2002 Bridges ..... D7/510  
D459,942 S \* 7/2002 Miller ..... D7/394  
D475,244 S \* 6/2003 Trombly ..... D7/533  
D563,169 S \* 3/2008 Gibbons ..... D7/510  
D639,608 S \* 6/2011 Tohm, Sr. .... D7/536  
D679,949 S \* 4/2013 Meritt ..... D7/507  
D739,295 S \* 9/2015 Thuma ..... D11/152

\* cited by examiner

*Primary Examiner* — Marianne Pandozzi

*Assistant Examiner* — Jae Liang

(74) *Attorney, Agent, or Firm* — Lando & Anastasi, LLP

(57) **CLAIM**

The ornamental design for a mug with handle, as shown and described.

**DESCRIPTION**

FIG. 1 is an elevational view of a mug with handle showing our new design;

FIG. 2 is a front view thereof;

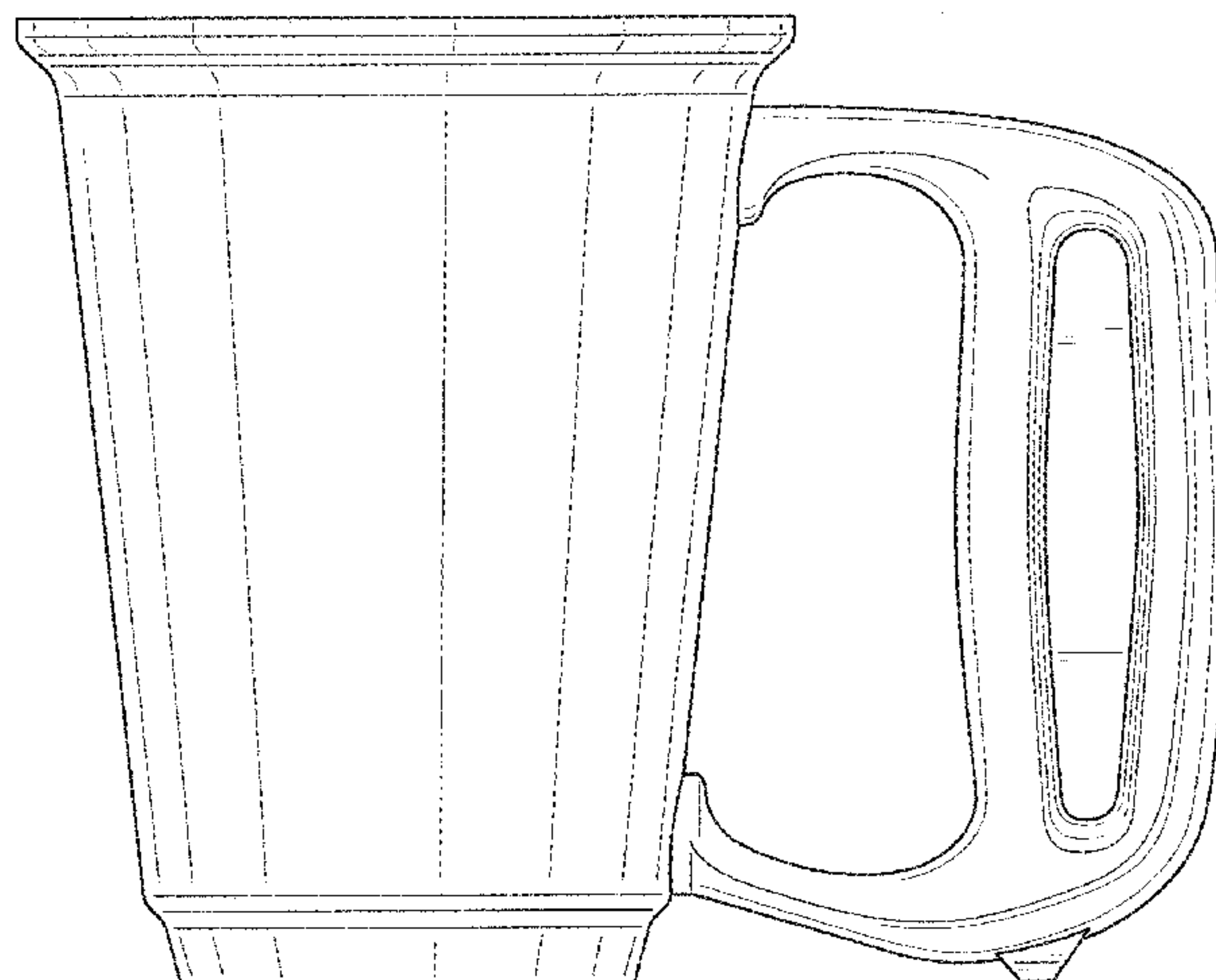
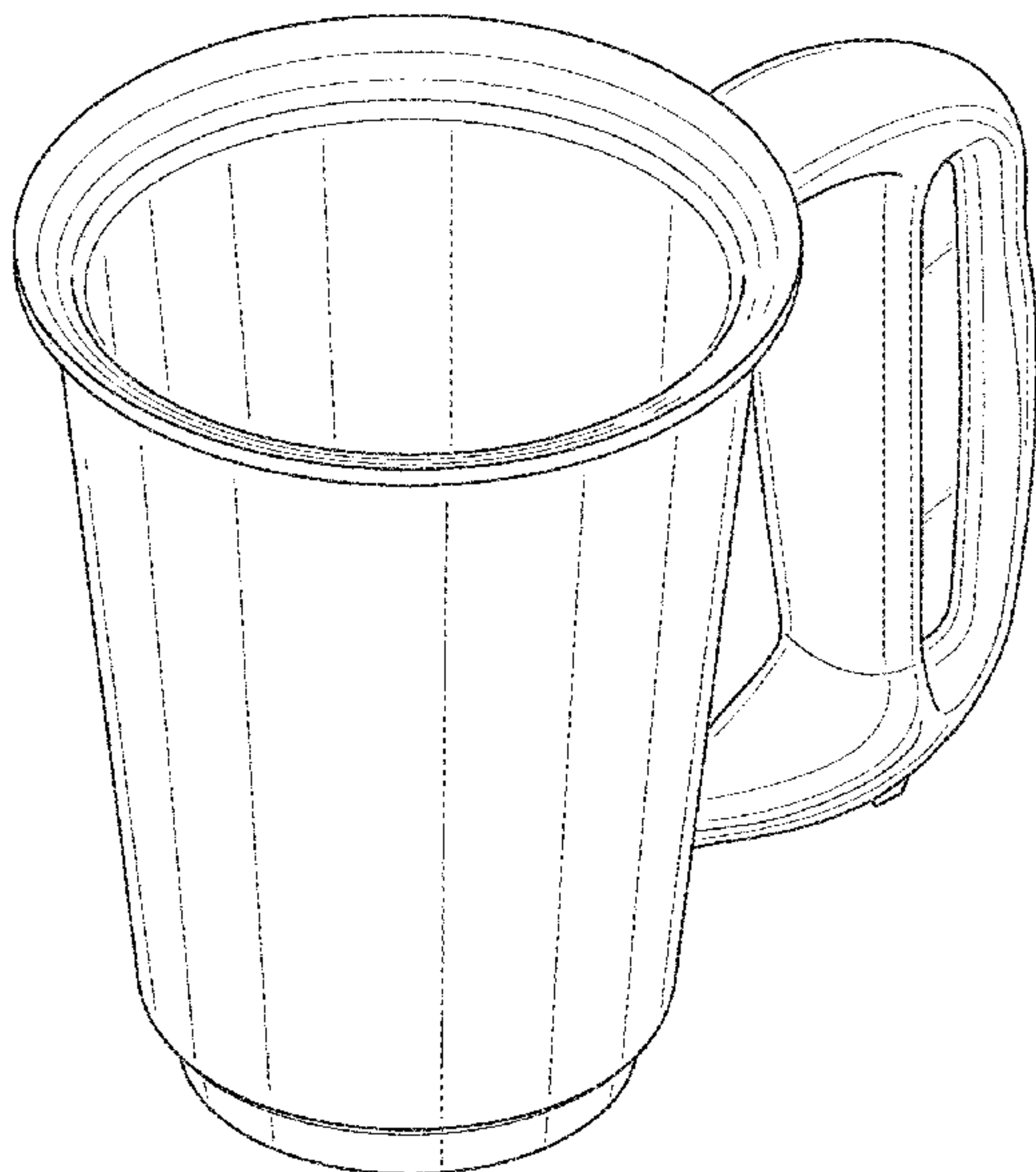
FIG. 3 is a rear view thereof;

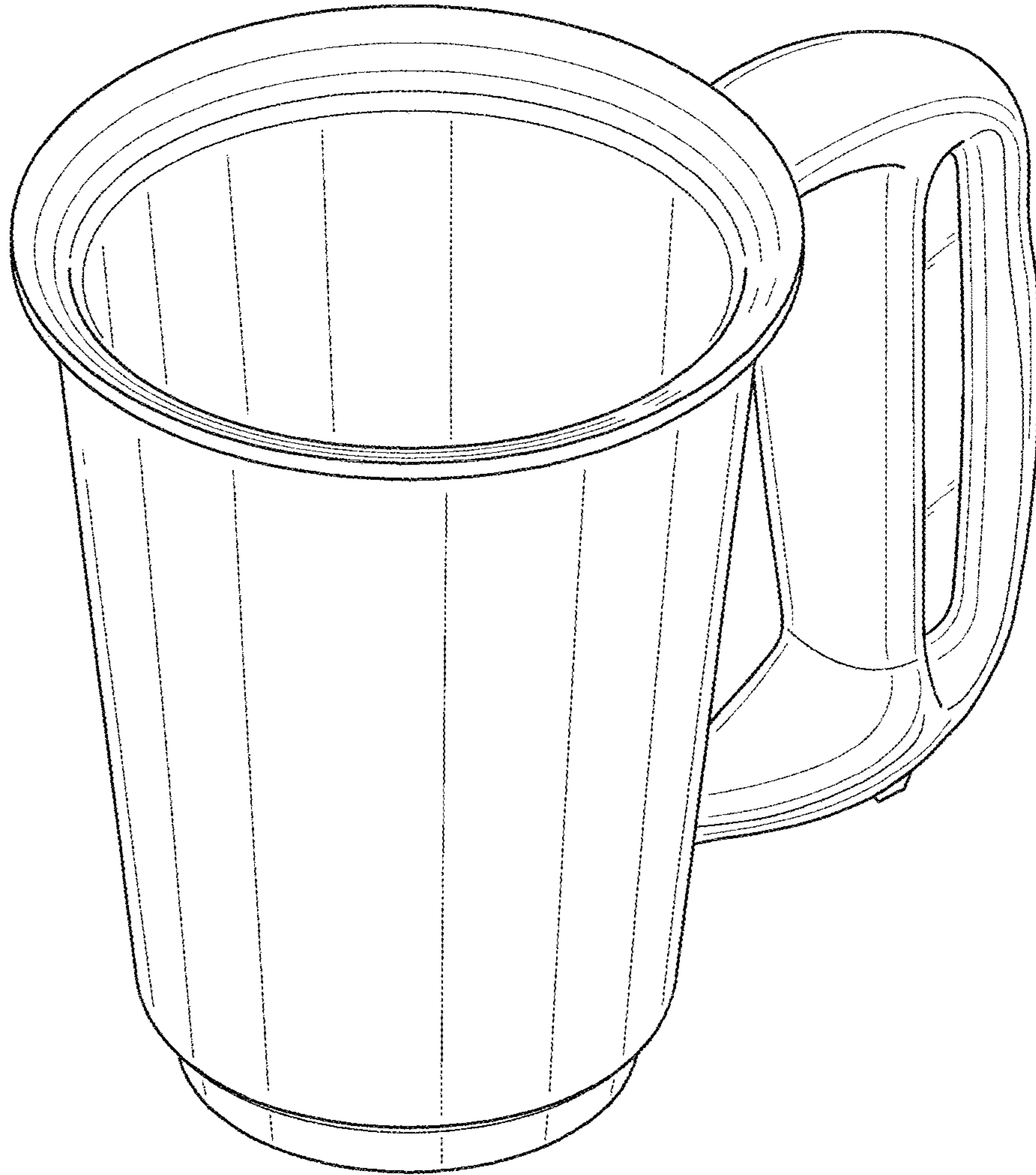
FIG. 4 is a left side view thereof;

FIG. 5 is a top plan view thereof; and,

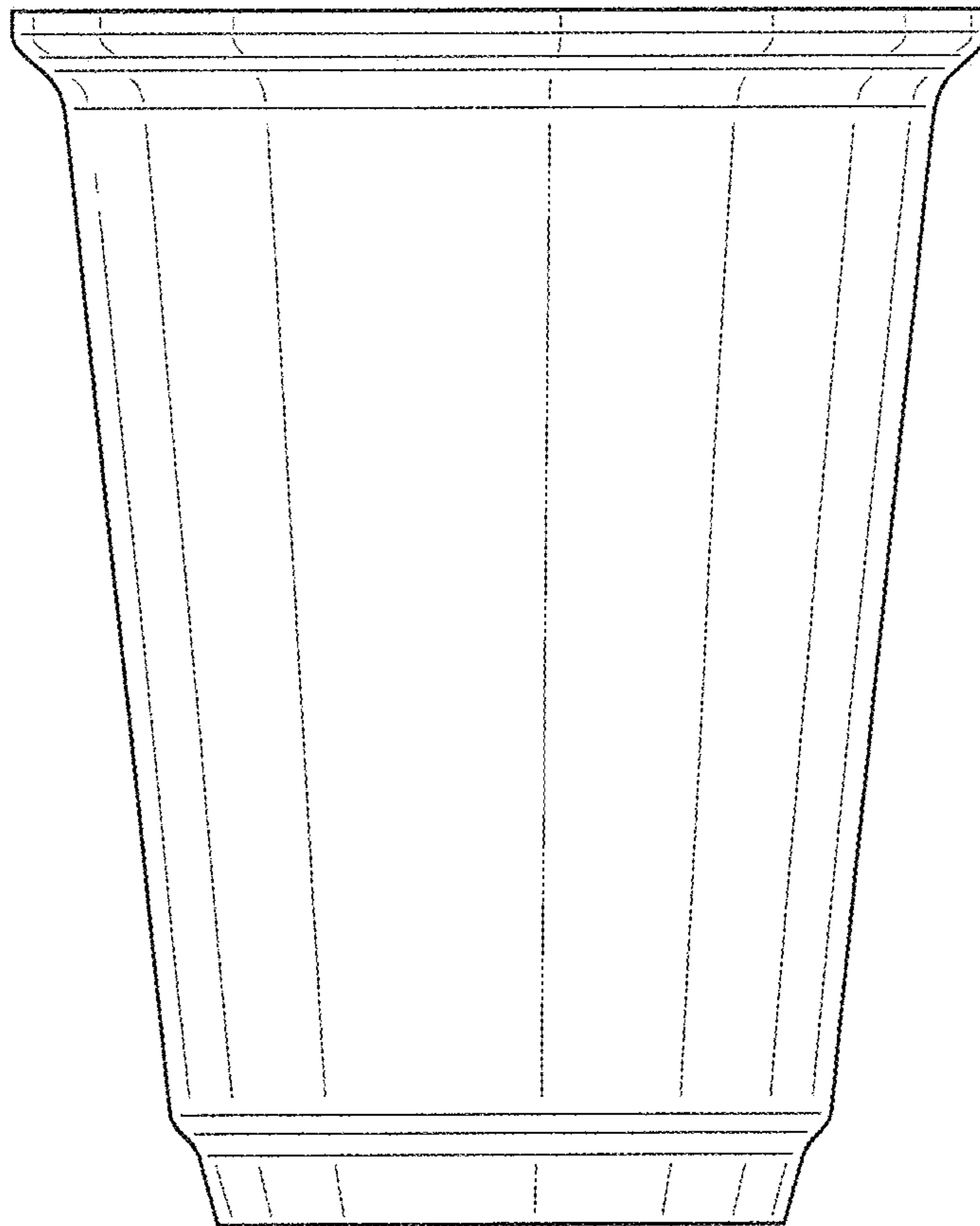
FIG. 6 is a bottom plan view thereof.

**1 Claim, 6 Drawing Sheets**

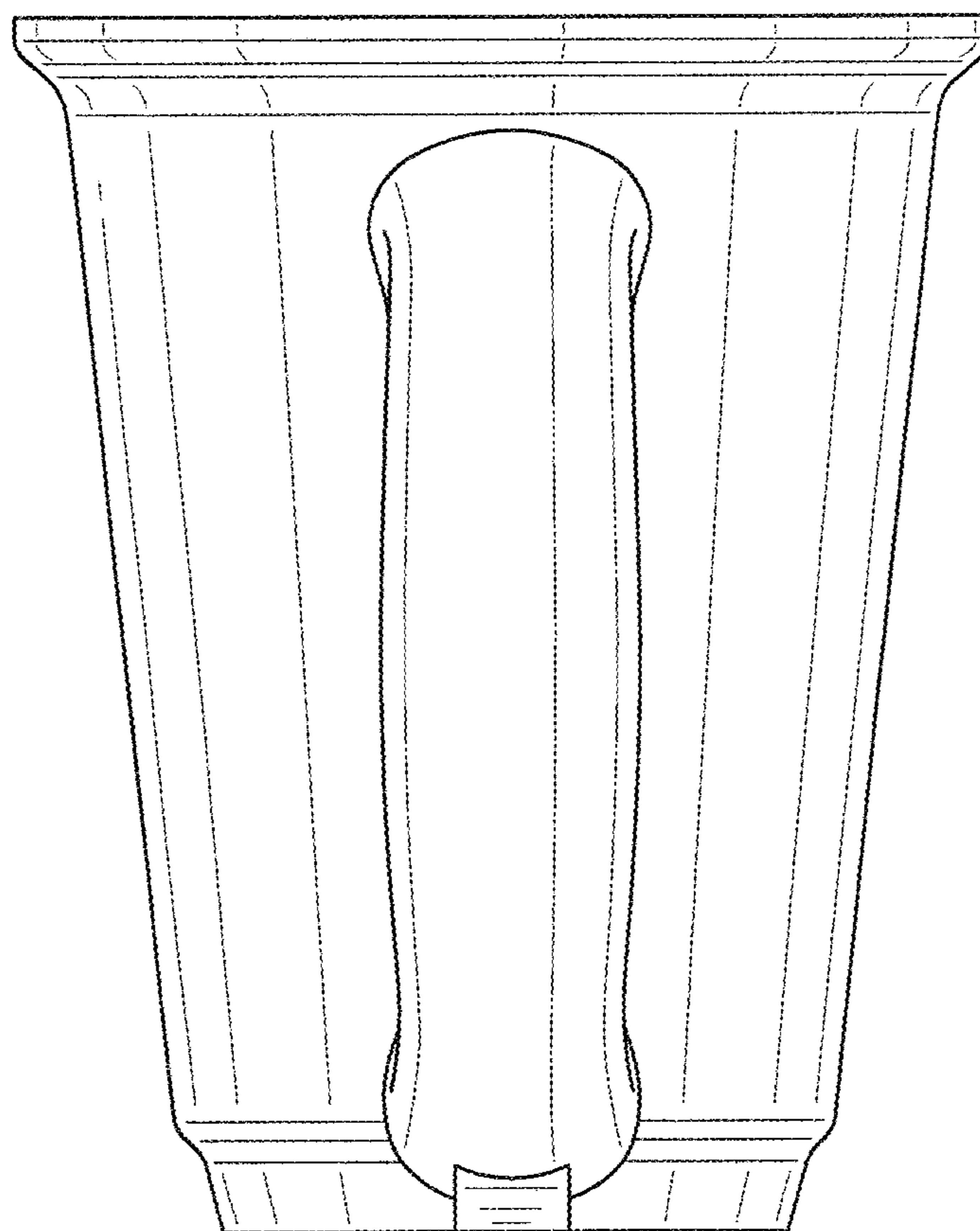




**FIG. 1**

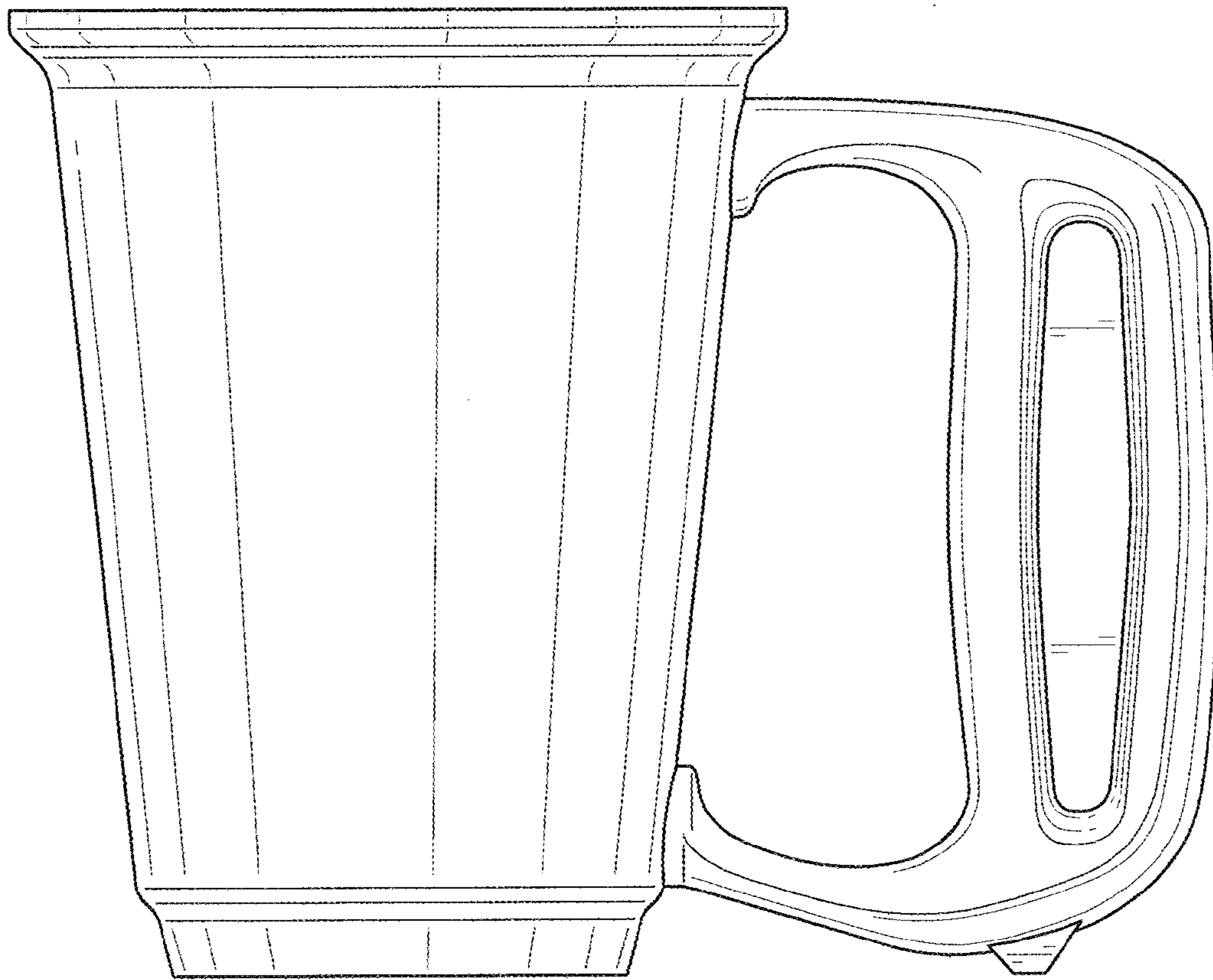


**FIG. 2**

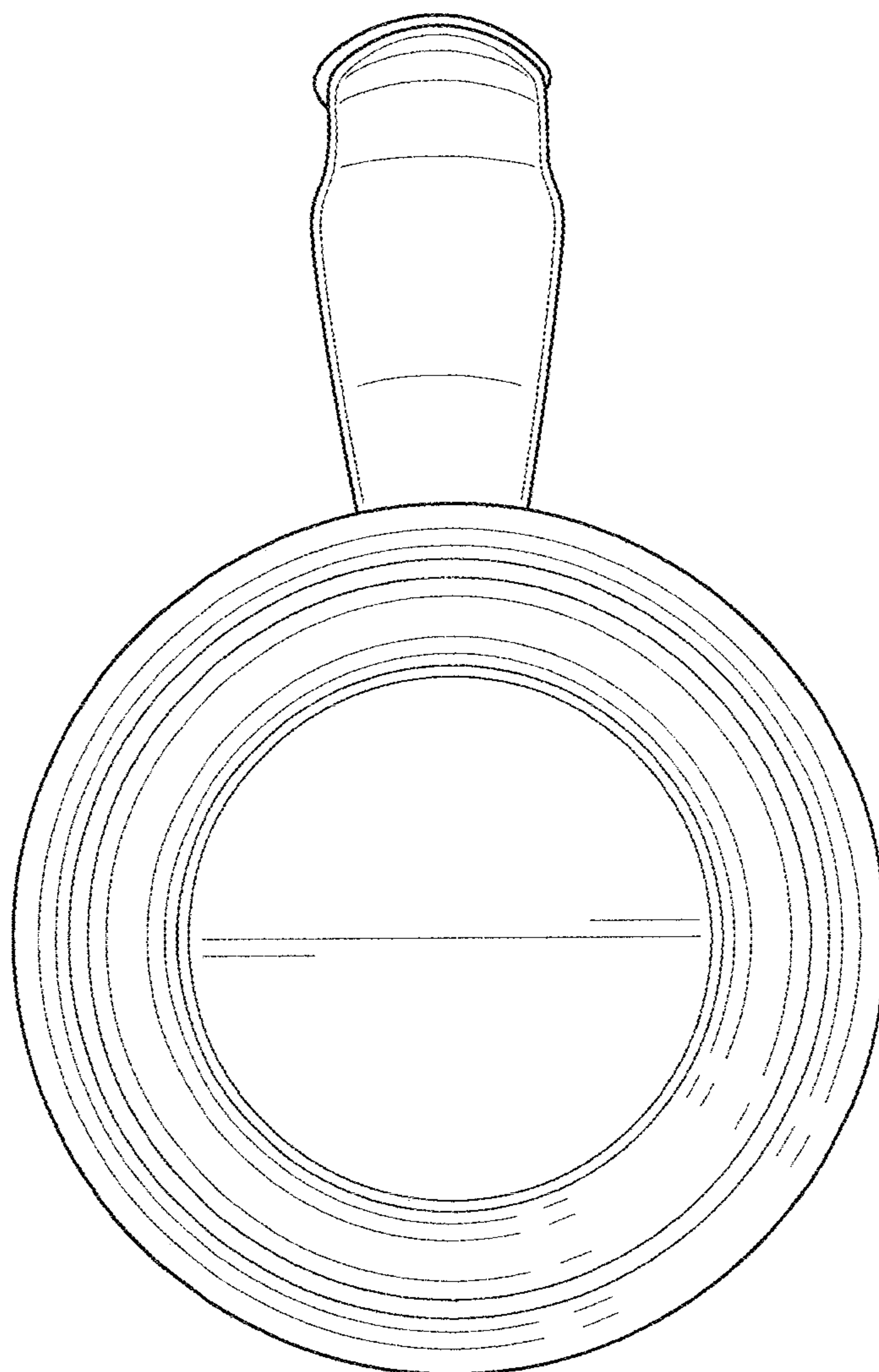


**FIG. 3**

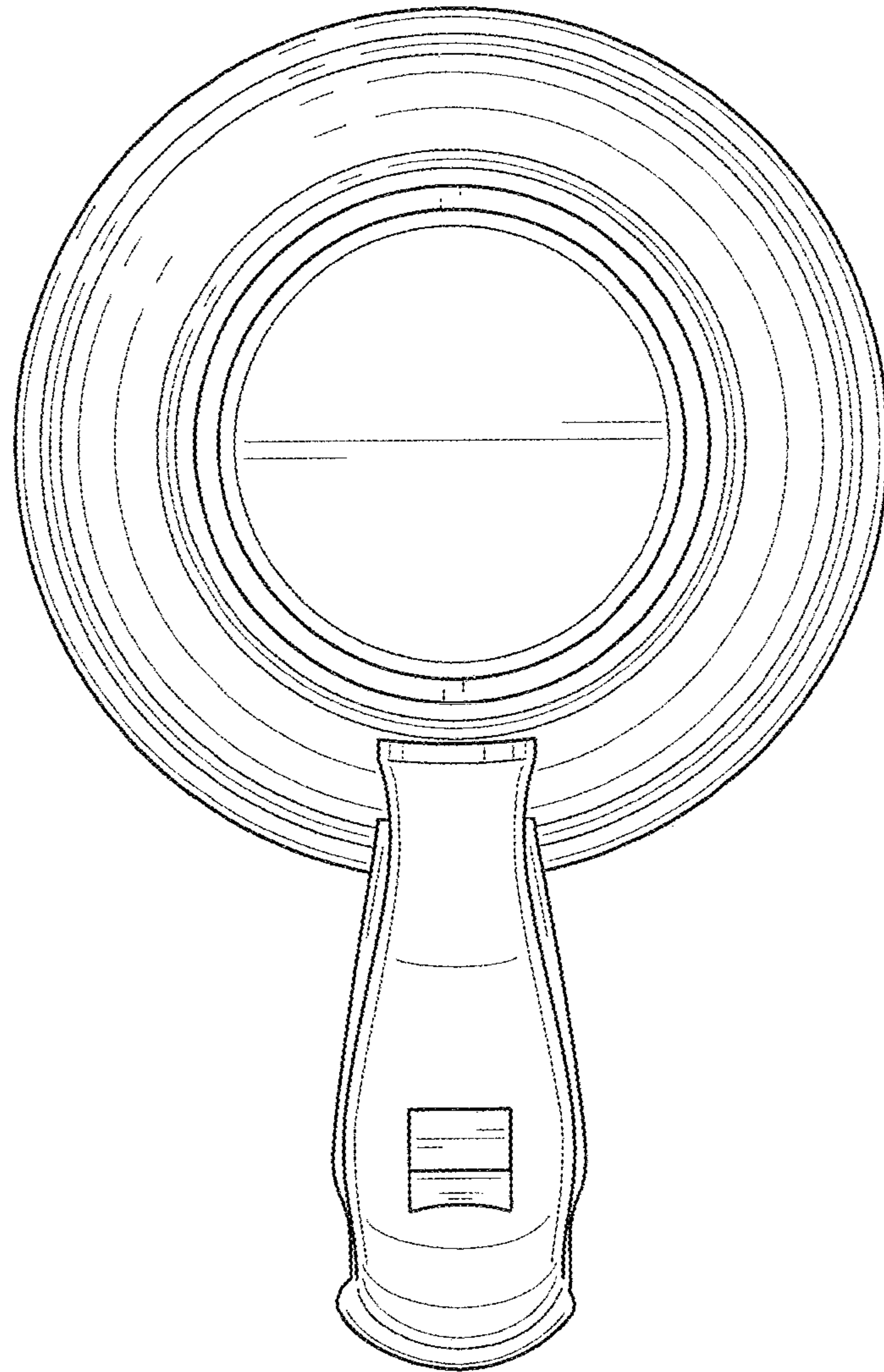




**FIG. 4**



**FIG. 5**



**FIG. 6**