

US00D757495S

(12) **United States Design Patent**
Parker et al.

(10) **Patent No.:** **US D757,495 S**

(45) **Date of Patent:** **** May 31, 2016**

(54) **TUMBLER WITH STRAW**

(71) Applicant: **Jackel International Limited**,
Northumberland (GB)

(72) Inventors: **Richard Parker**, Newcastle Upon Tyne
(GB); **Peter Angus**, Newcastle Upon
Tyne (GB); **Matthew O'Brien**,
Newcastle Upon Tyne (GB); **James Roe**,
Glossop (GB); **Jason Roebuck**, Glossop
(GB)

(73) Assignee: **Jackel International Limited**,
Cramlington Northumberland (GB)

(**) Term: **14 Years**

(21) Appl. No.: **29/516,583**

(22) Filed: **Feb. 4, 2015**

(30) **Foreign Application Priority Data**

Aug. 4, 2014 (EM) 001419139-0017

(51) **LOC (10) Cl.** **07-01**

(52) **U.S. Cl.**
USPC **D7/510; D7/511; D7/507**

(58) **Field of Classification Search**
USPC D7/509-516, 523, 533, 534, 535, 326,
D7/543, 548, 300, 312, 314, 316, 318, 319,
D7/320, 598, 589, 396.2, 507, 529, 300.2,
D7/608; 215/229; D24/197, 198, 199;
220/703, 714, 710, 710.5, 212.5;
D9/440, 436, 447, 530, 526, 554, 540
CPC A47G 19/22; A47G 19/2266; A47G
19/2272; A61J 9/00; A61J 9/06; A61J 9/08;
A61J 9/085

See application file for complete search history.

(56) **References Cited**

U.S. PATENT DOCUMENTS

6,073,788 A * 6/2000 Stroud A61J9/08
215/11.1
D464,434 S * 10/2002 Morano D24/197
D499,490 S * 12/2004 Conaway D24/197

D609,527 S * 2/2010 Roehrig D24/197
D609,528 S * 2/2010 Roehrig D7/510
D620,366 S * 7/2010 Bruscha D9/444
D642,435 S * 8/2011 Schofield D24/197
D642,438 S * 8/2011 Schofield D24/197
D642,866 S * 8/2011 Schofield D24/197
D650,233 S * 12/2011 Roehrig D24/197
D686,510 S * 7/2013 Zerba D9/726
8,672,174 B1 * 3/2014 McMullin A47G 21/18
215/229
D713,687 S * 9/2014 Lv D7/510
8,827,099 B2 * 9/2014 Joy A47G 19/2266
215/388
D716,461 S * 10/2014 Lau D24/197
D721,250 S * 1/2015 Chen D7/510
D724,383 S * 3/2015 May D7/510
D730,697 S * 6/2015 Johnson D7/510
2009/0255944 A1 * 10/2009 Yamashita A47G 19/2266
220/705

* cited by examiner

Primary Examiner — Marianne Pandozzi

Assistant Examiner — Jae Liang

(74) *Attorney, Agent, or Firm* — Olson & Cepuritis, Ltd

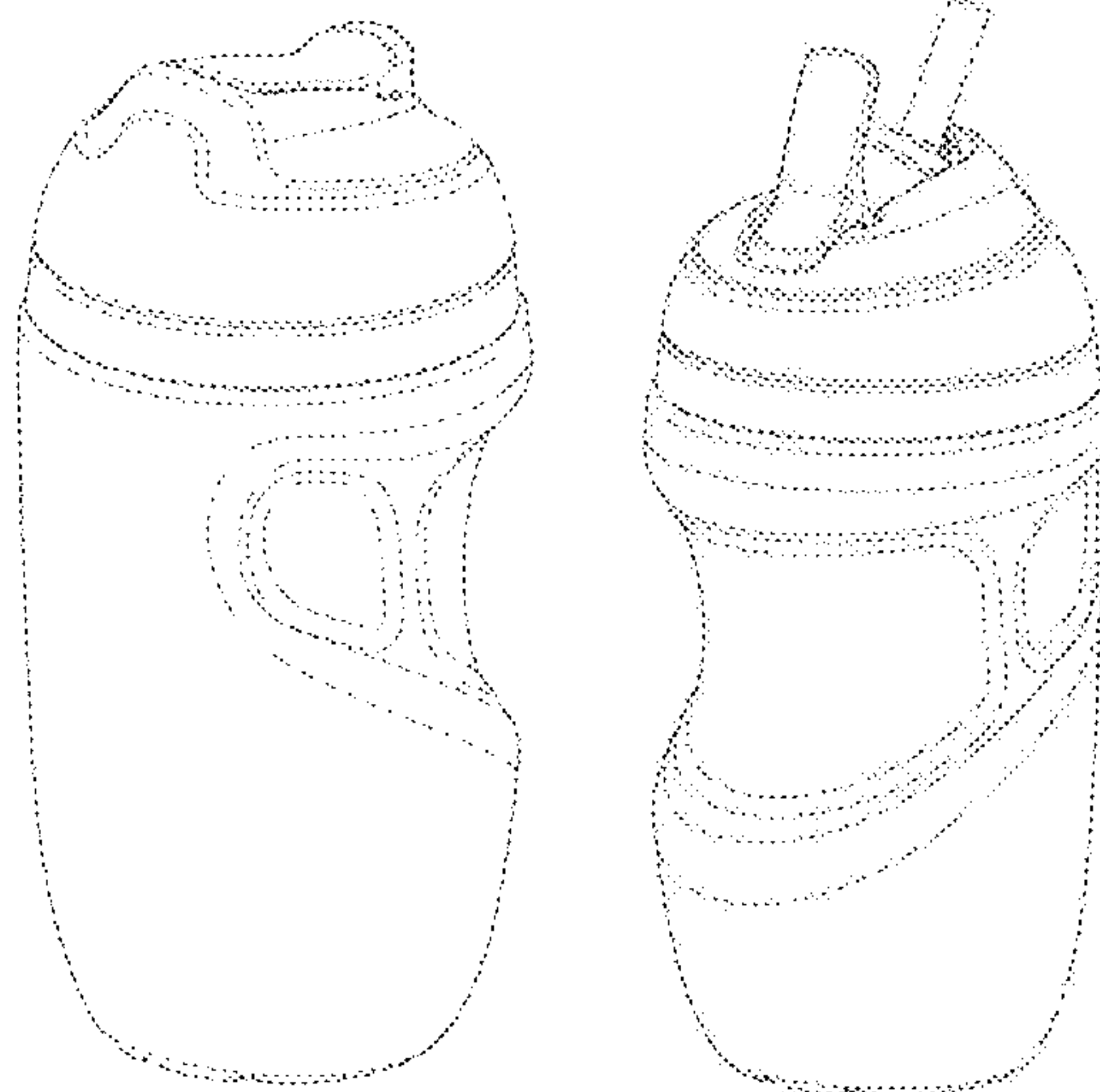
(57) **CLAIM**

The ornamental design for a tumbler with straw, as shown and described.

DESCRIPTION

FIG. 1 is a front perspective view of a tumbler with straw showing our new design;
FIG. 2 is a front elevational view thereof;
FIG. 3 is a rear elevational view thereof;
FIG. 4 is a right side elevational view thereof; the left side elevational view being a mirror image thereof;
FIG. 5 is a top plan view thereof;
FIG. 6 is a bottom plan view thereof; and,
FIG. 7 is a rear perspective view thereof in its extended position.

1 Claim, 7 Drawing Sheets



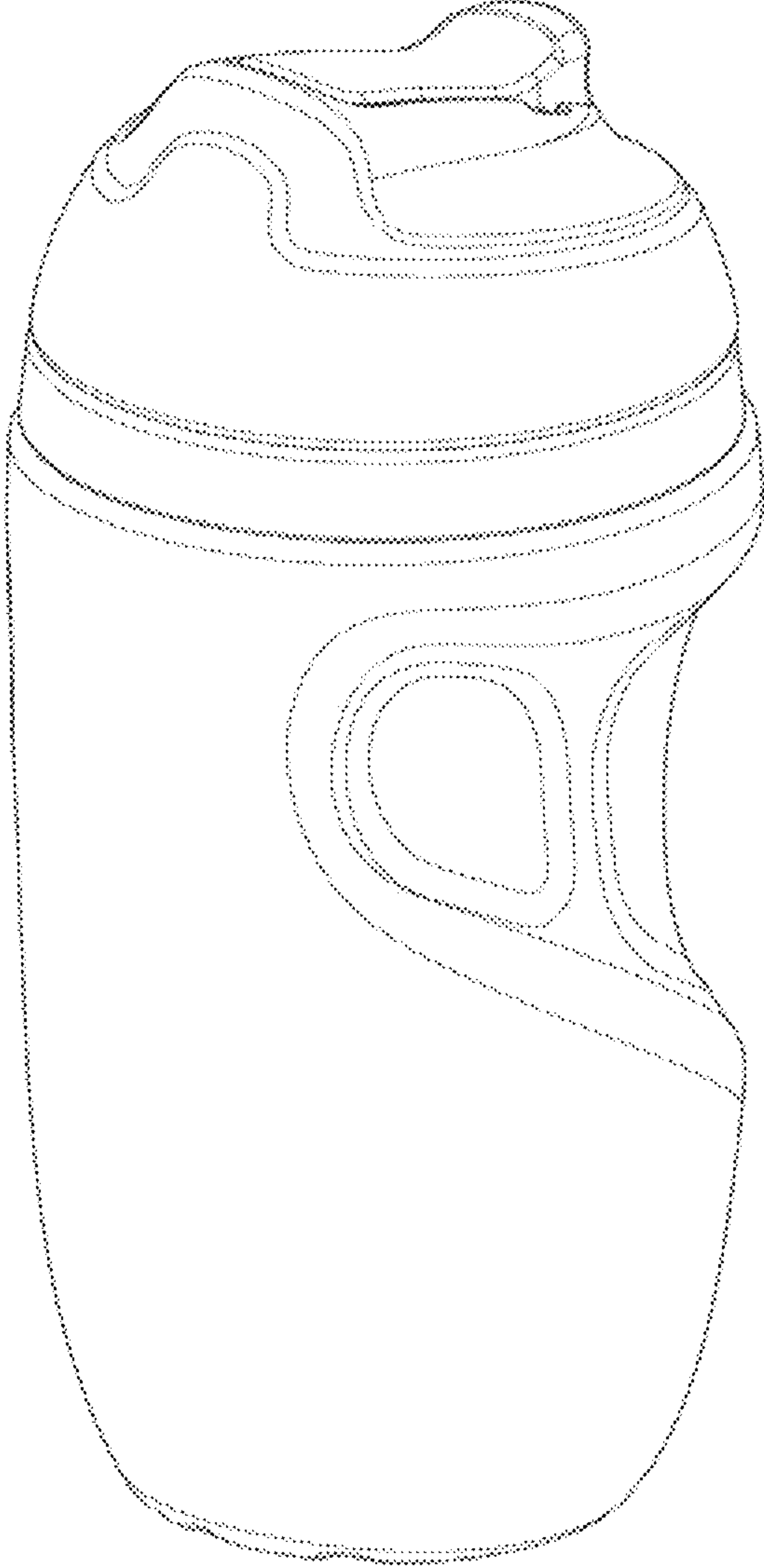


FIG. 1

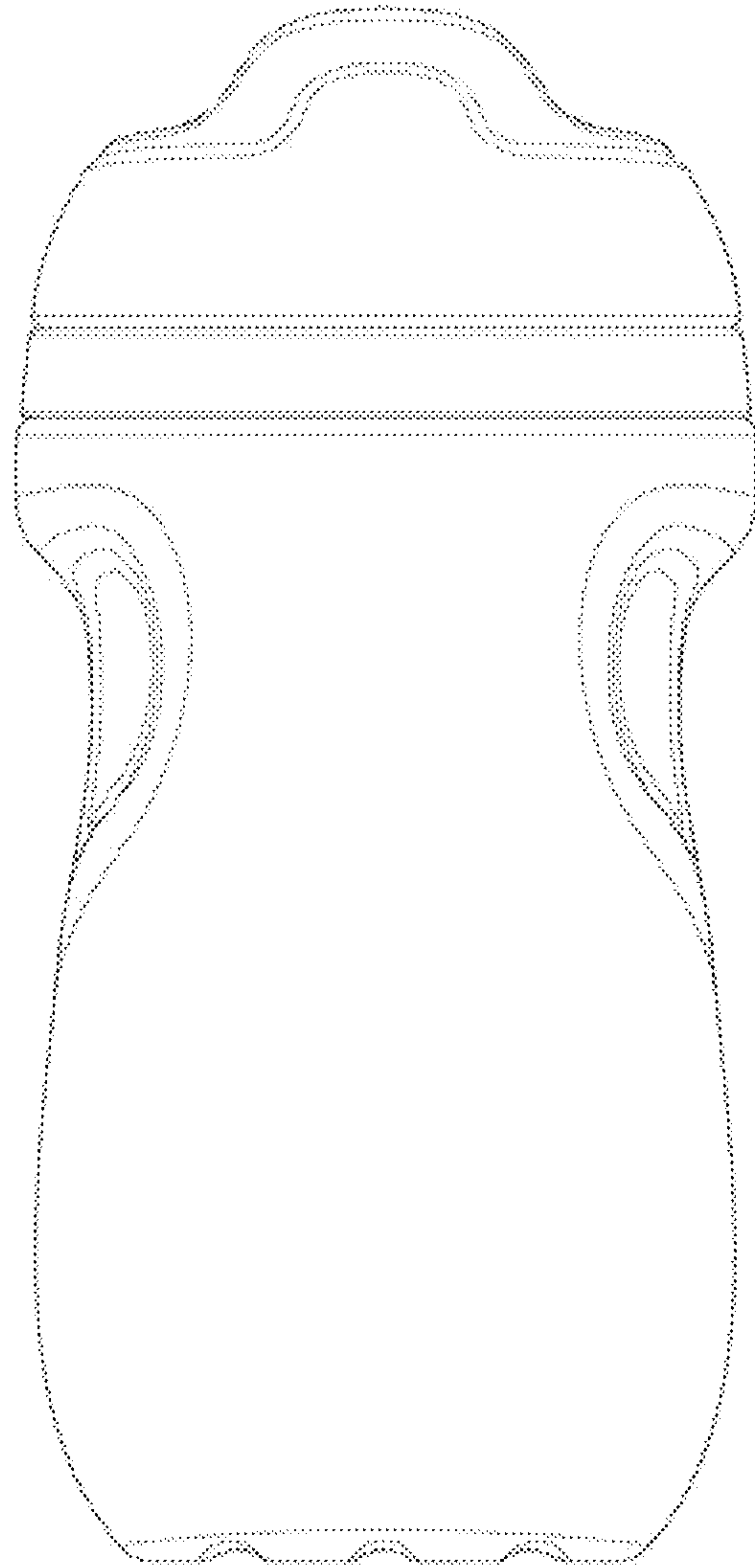


FIG. 2

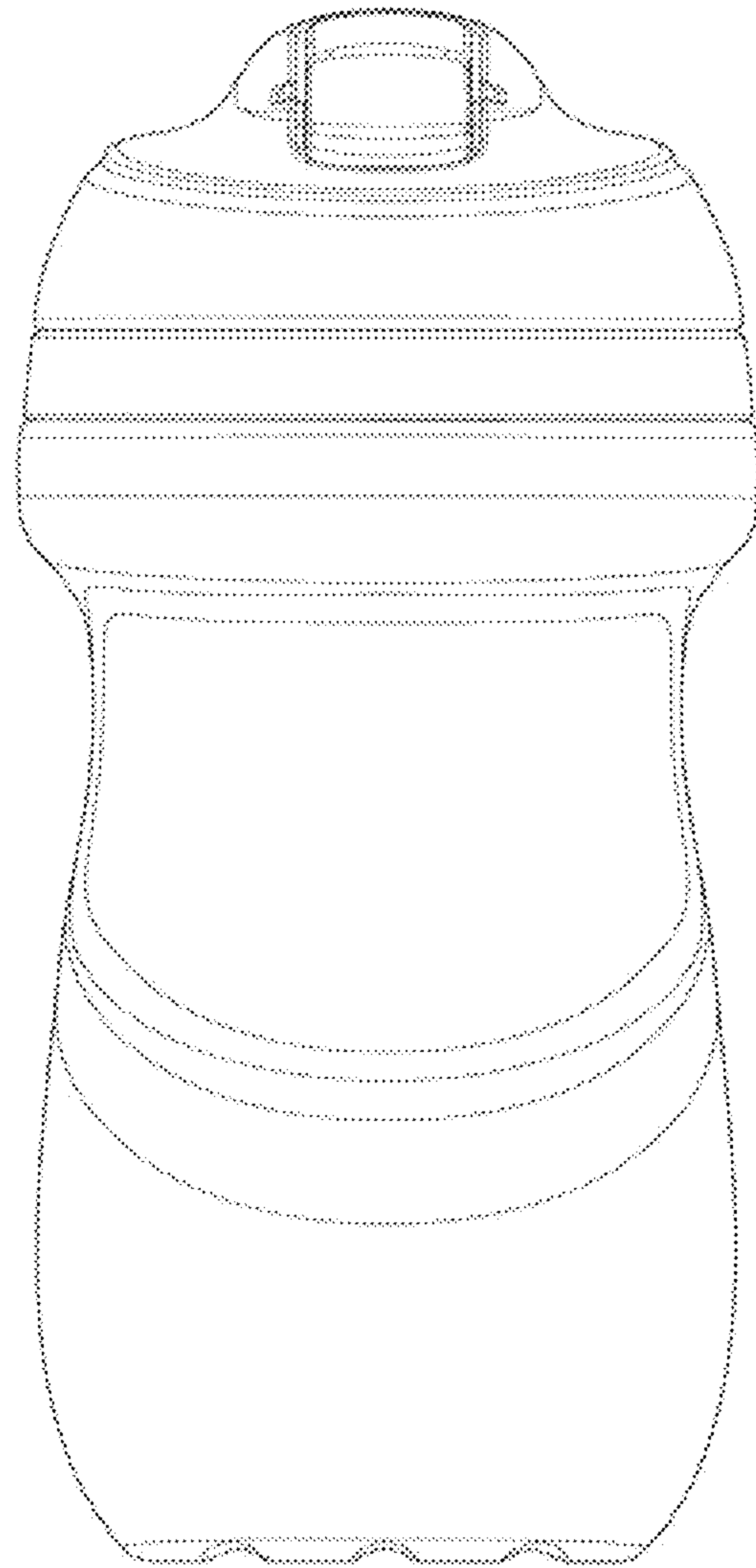


FIG. 3

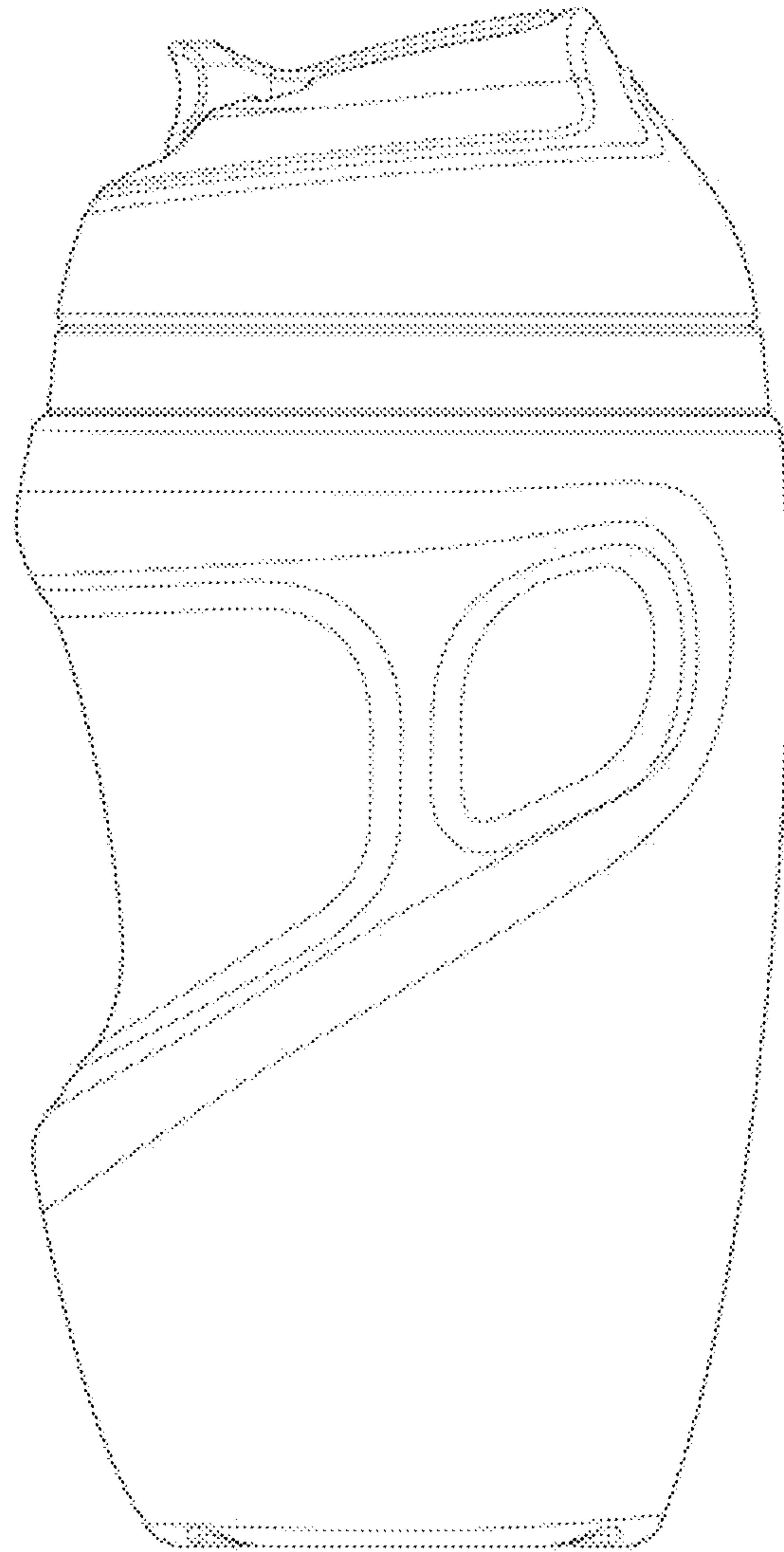


FIG. 4

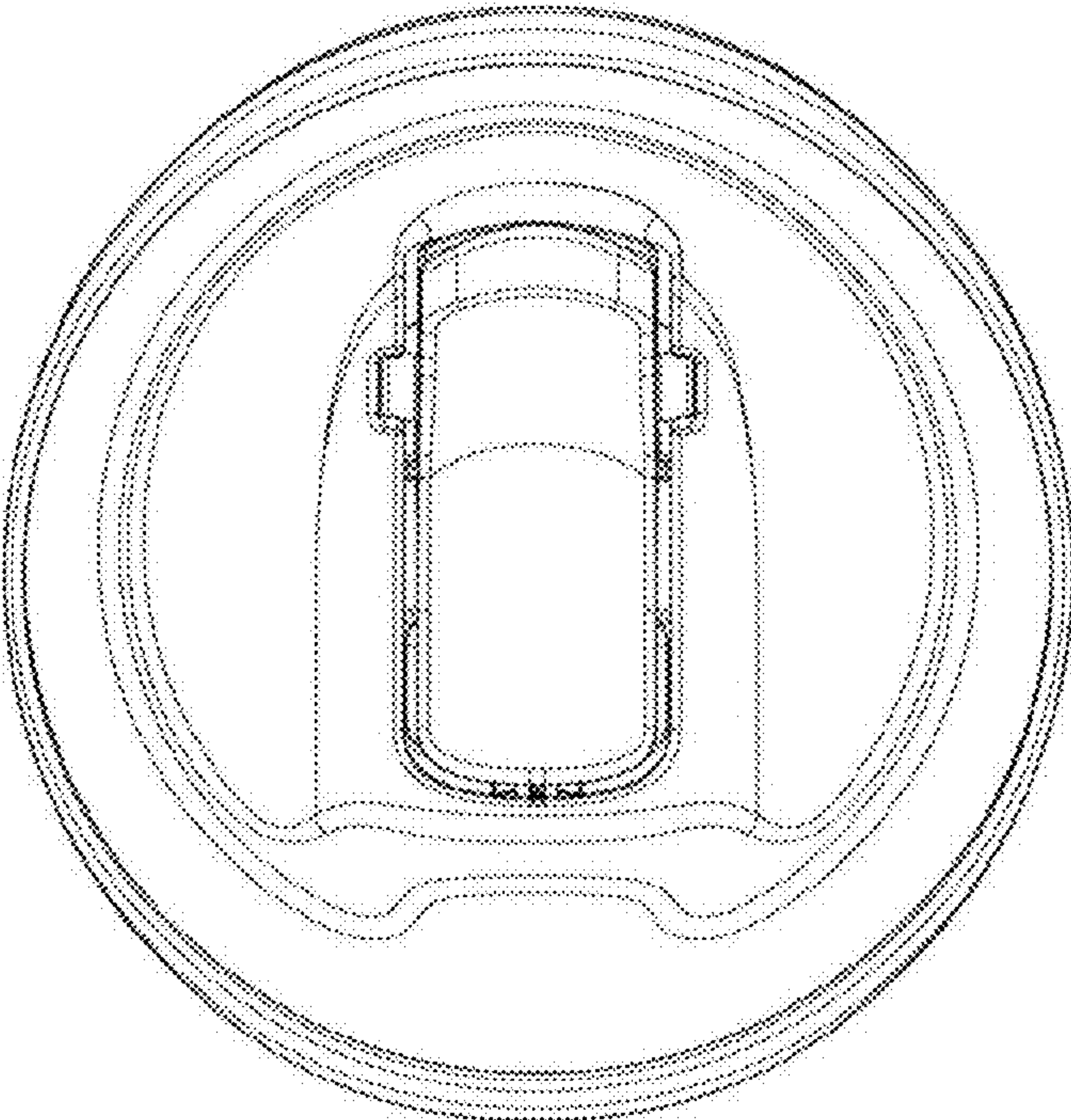


FIG. 5

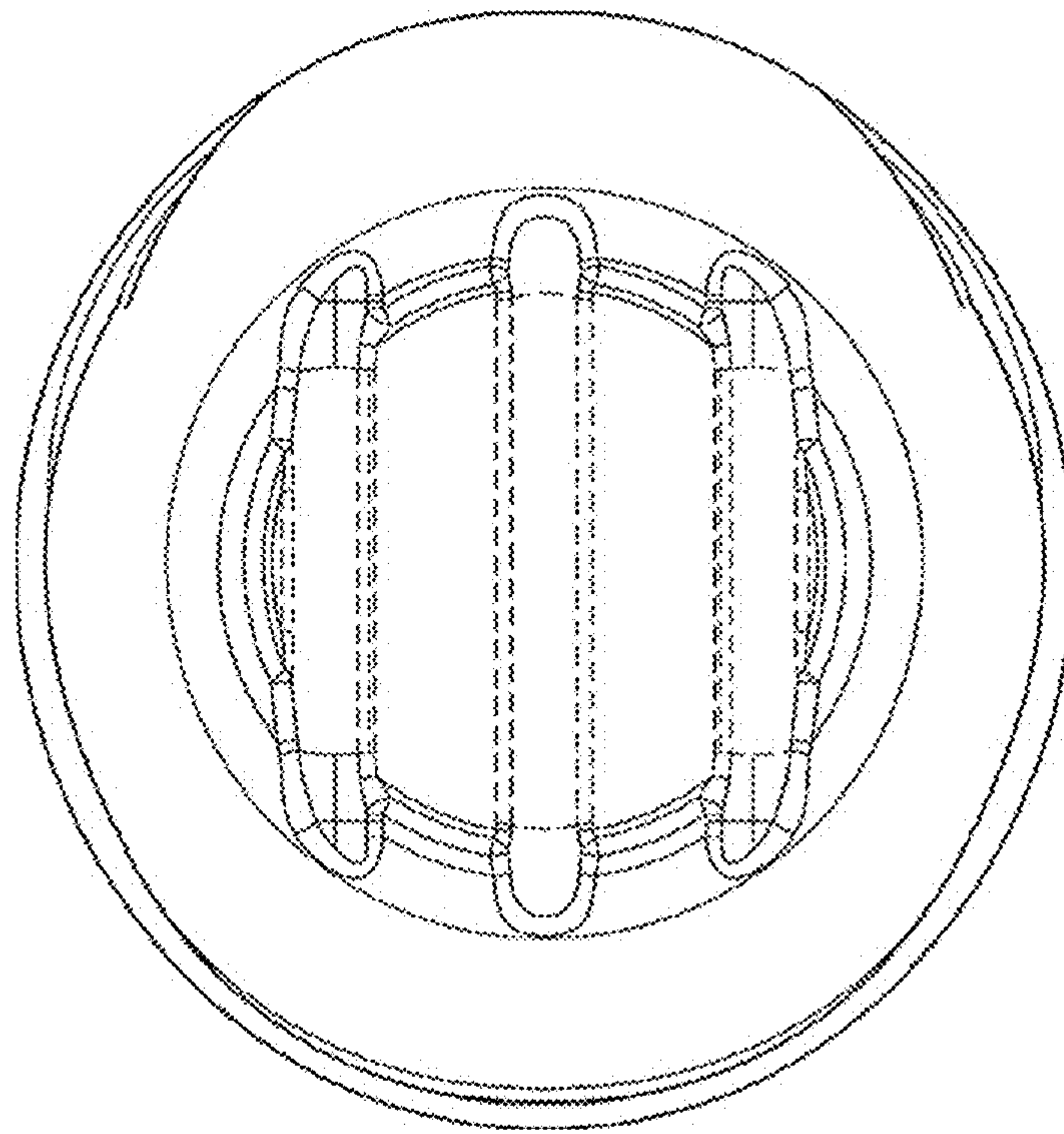


FIG. 6

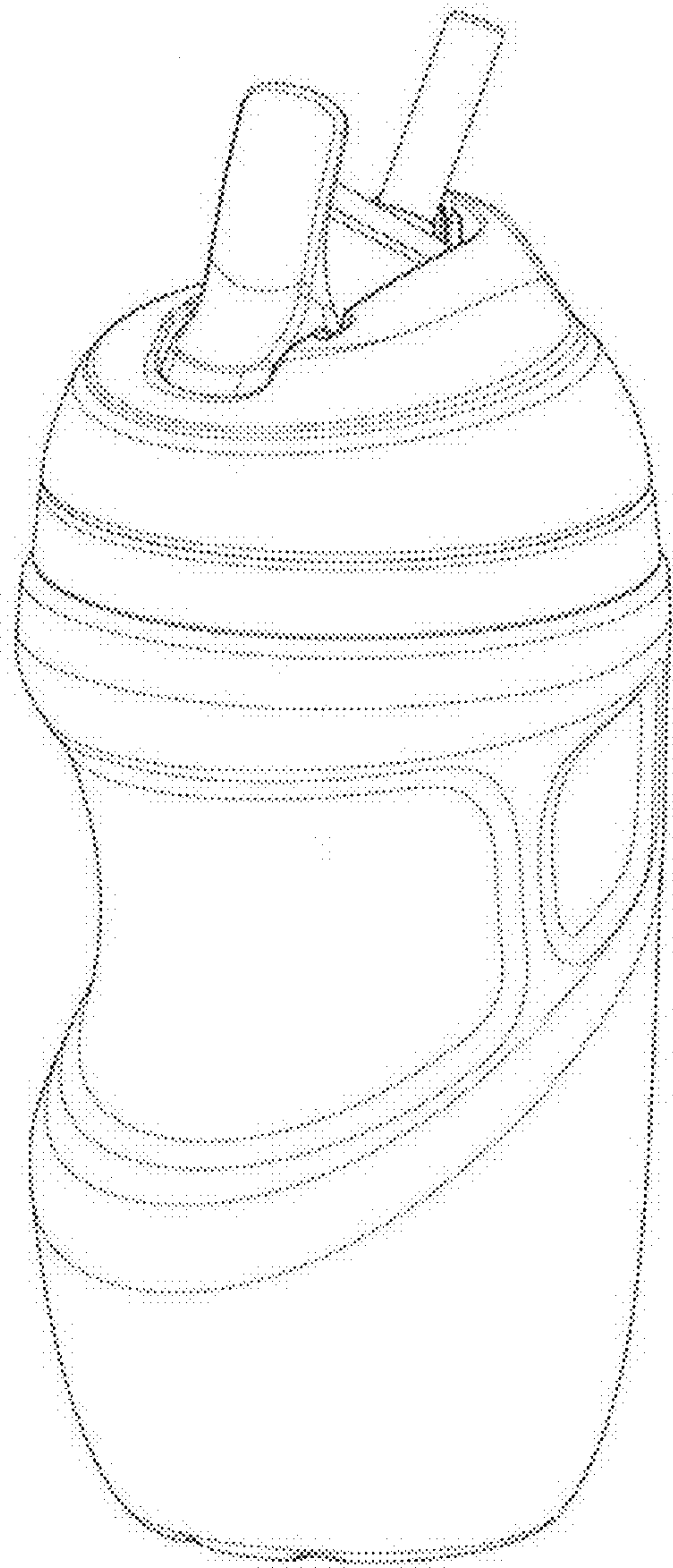


FIG. 7