

US00D757494S

(12) **United States Design Patent**  
**Parker et al.**

(10) **Patent No.:** **US D757,494 S**  
(45) **Date of Patent:** **\*\* May 31, 2016**

(54) **SPORTS BOTTLE**

(71) Applicant: **Jackel International Limited**,  
Northumberland (GB)  
(72) Inventors: **Richard Parker**, Newcastle Upon Tyne  
(GB); **Peter Angus**, Newcastle Upon  
Tyne (GB); **Matthew O'Brien**,  
Newcastle Upon Tyne (GB); **James Roe**,  
Glossop (GB); **Jason Roebuck**, Glossop  
(GB)  
(73) Assignee: **Jackel International Limited**,  
Cramlington Northumberland (GB)

(\*\*) Term: **14 Years**

(21) Appl. No.: **29/516,582**

(22) Filed: **Feb. 4, 2015**

(30) **Foreign Application Priority Data**

Aug. 4, 2014 (EM) ..... 001419139-0015

(51) **LOC (10) Cl.** ..... **07-01**

(52) **U.S. Cl.**  
USPC ..... **D7/510; D7/511**

(58) **Field of Classification Search**  
USPC ..... D7/509–516, 523, 533, 534, 535, 326,  
D7/543, 548, 300, 312, 314, 316, 318, 319,  
D7/320, 598, 589, 396.2, 507, 529, 300.2;  
215/229; D24/197, 198, 199; 220/703,  
220/714, 710, 710.5, 212.5; D9/440, 436,  
D9/447, 530, 526, 554, 540  
CPC ..... A47G 19/22; A47G 19/2266; A47G  
19/2272; A61J 9/00; A61J 9/06; A61J 9/08;  
A61J 9/085

See application file for complete search history.

(56) **References Cited**

U.S. PATENT DOCUMENTS

6,073,788	A *	6/2000	Stroud	.....	A61J 9/08 215/11.1
D464,434	S *	10/2002	Morano	.....	D24/197
D499,490	S *	12/2004	Conaway	.....	D24/197
D609,527	S *	2/2010	Roehrig	.....	D24/197
D609,528	S *	2/2010	Roehrig	.....	D7/510
D617,465	S *	6/2010	Hakim	.....	D24/197
D620,366	S *	7/2010	Bruscha	.....	D9/444
D634,439	S *	3/2011	Hakim	.....	D24/193
D638,299	S *	5/2011	Bernstein	.....	D9/526
D642,436	S *	8/2011	Schofield	.....	D24/197
D650,233	S *	12/2011	Roehrig	.....	D24/197
D656,788	S *	4/2012	Sakulsacha	.....	D24/197
D666,874	S *	9/2012	Sakulsacha	.....	D7/510
D667,558	S *	9/2012	Hakim	.....	D24/193
8,256,642	B2 *	9/2012	McNamara	.....	A47G 19/2272 215/11.1
D671,793	S *	12/2012	Hakim	.....	D7/392.1

(Continued)

*Primary Examiner* — Marianne Pandozzi

*Assistant Examiner* — Jae Liang

(74) *Attorney, Agent, or Firm* — Olson & Cepuritis, Ltd.

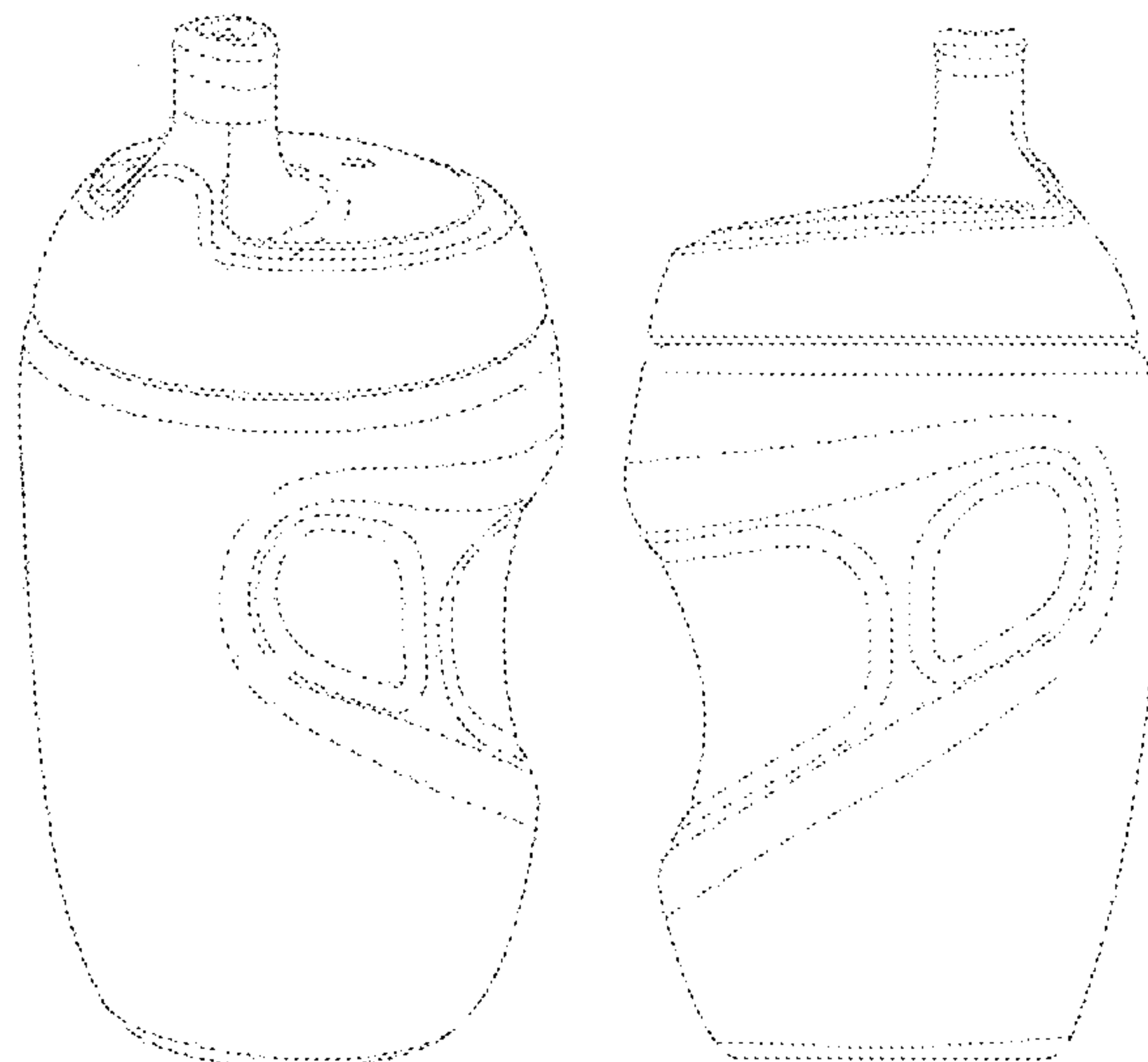
(57) **CLAIM**

The ornamental design for a sports bottle, as shown and described.

**DESCRIPTION**

FIG. 1 is a top perspective view of a sports bottle showing our new design;  
FIG. 2 is a bottom perspective view thereof;  
FIG. 3 is a front elevational view thereof;  
FIG. 4 is a rear elevational view thereof;  
FIG. 5 is a right side elevational view thereof; the left side elevational view being a mirror image thereof;  
FIG. 6 is a top plan view thereof; and,  
FIG. 7 is a bottom plan view thereof.  
The broken lines in the drawing depict portions of the sports bottle that form no part of the claimed design.

**1 Claim, 7 Drawing Sheets**



# US D757,494 S

Page 2

(56)

## References Cited

### U.S. PATENT DOCUMENTS

D683,588 S \* 6/2013 Dunn ..... D24/197  
8,733,568 B2 \* 5/2014 Dunn ..... A47G 19/2272  
215/330  
D708,901 S \* 7/2014 Dunn ..... D7/392.1  
D716,461 S \* 10/2014 Lau ..... D24/197  
D721,914 S \* 2/2015 Hakim ..... D7/396.2

D724,233 S \* 3/2015 Moore ..... D24/196  
2013/0341297 A1 \* 12/2013 Stephan ..... A61J 9/00  
215/11.1  
2015/0223623 A1 \* 8/2015 Davis ..... A47G 19/2272  
220/714  
2015/0292729 A1 \* 10/2015 Sutton ..... F21V 33/0024  
362/101

\* cited by examiner

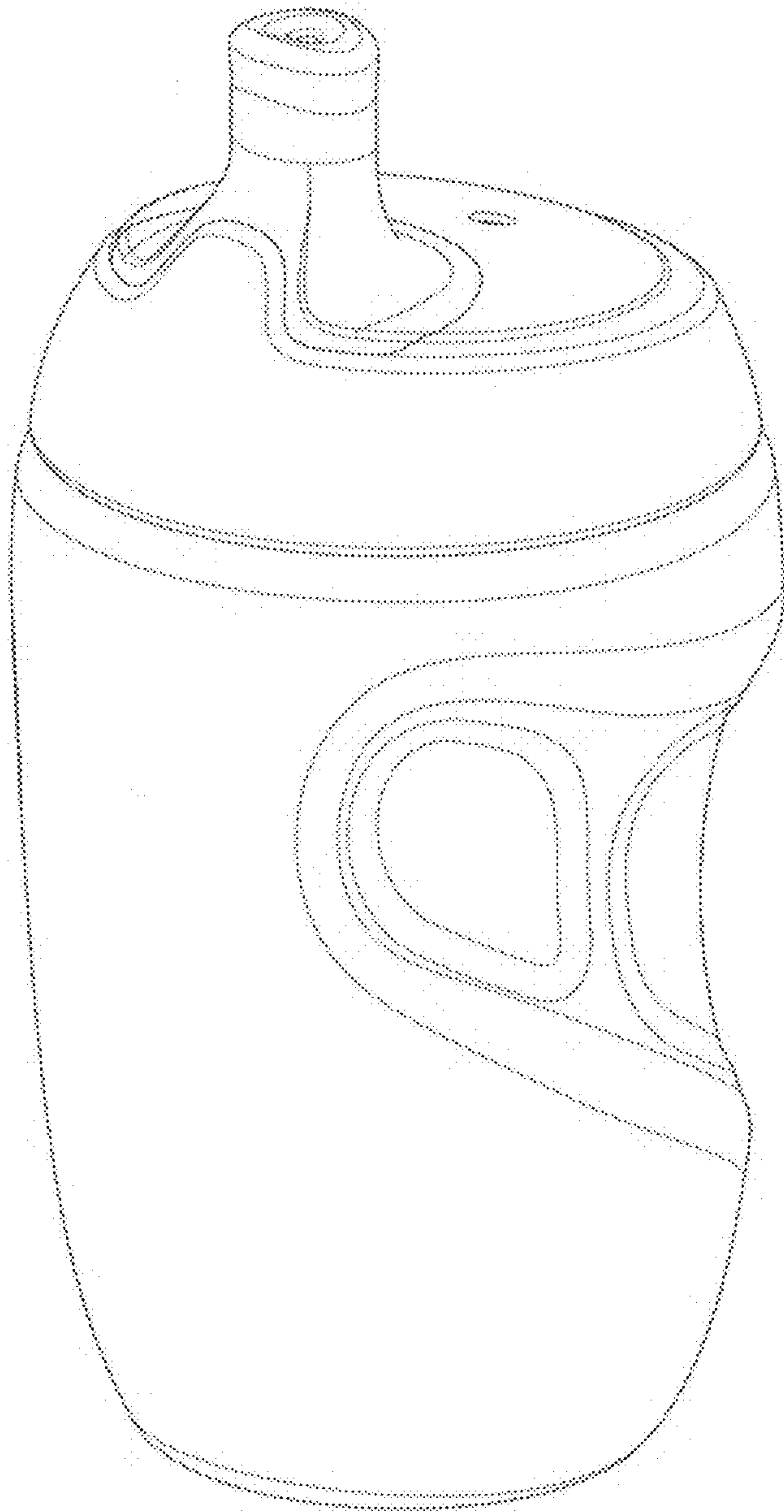


FIG. 1

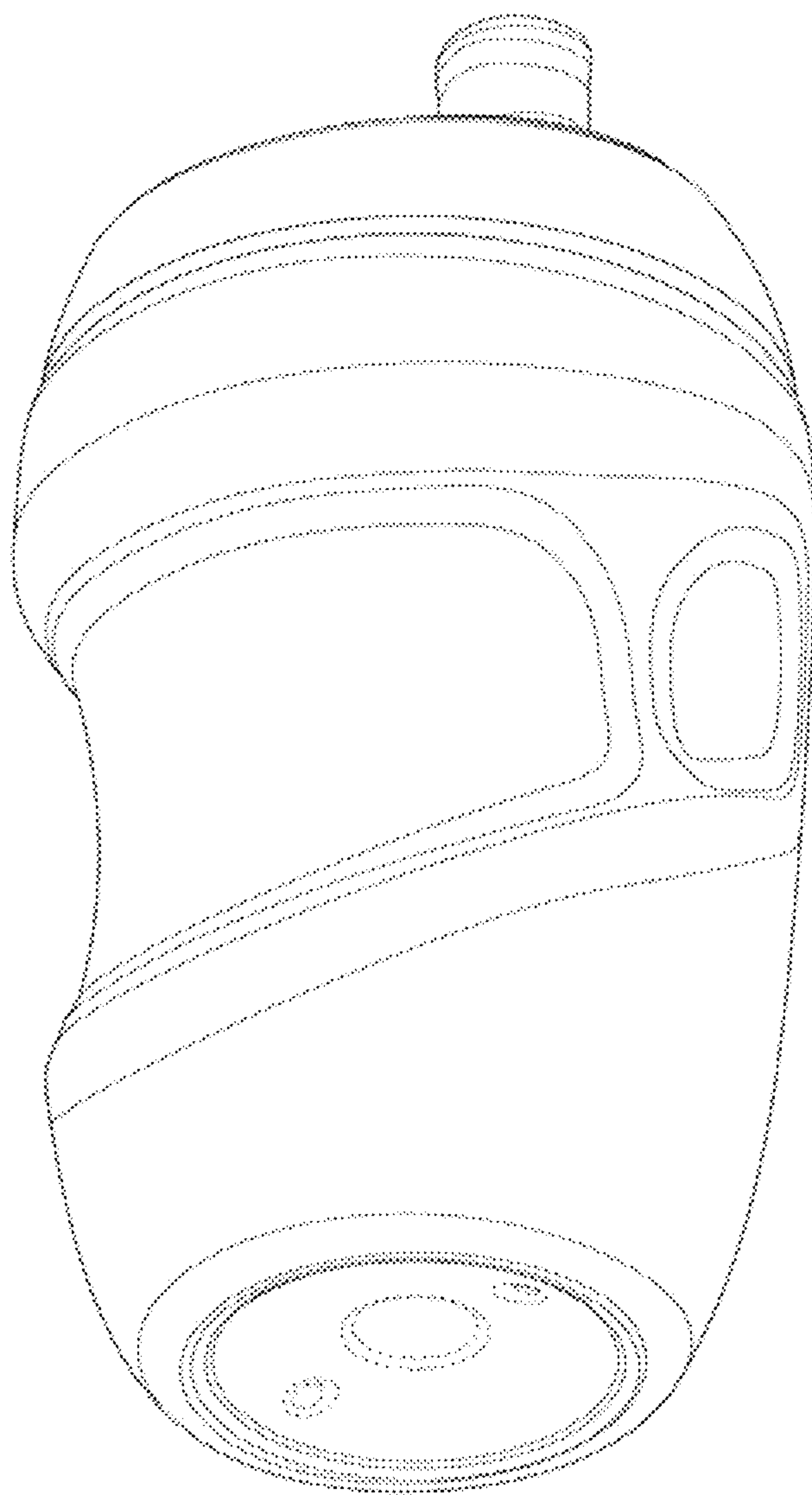


FIG. 2

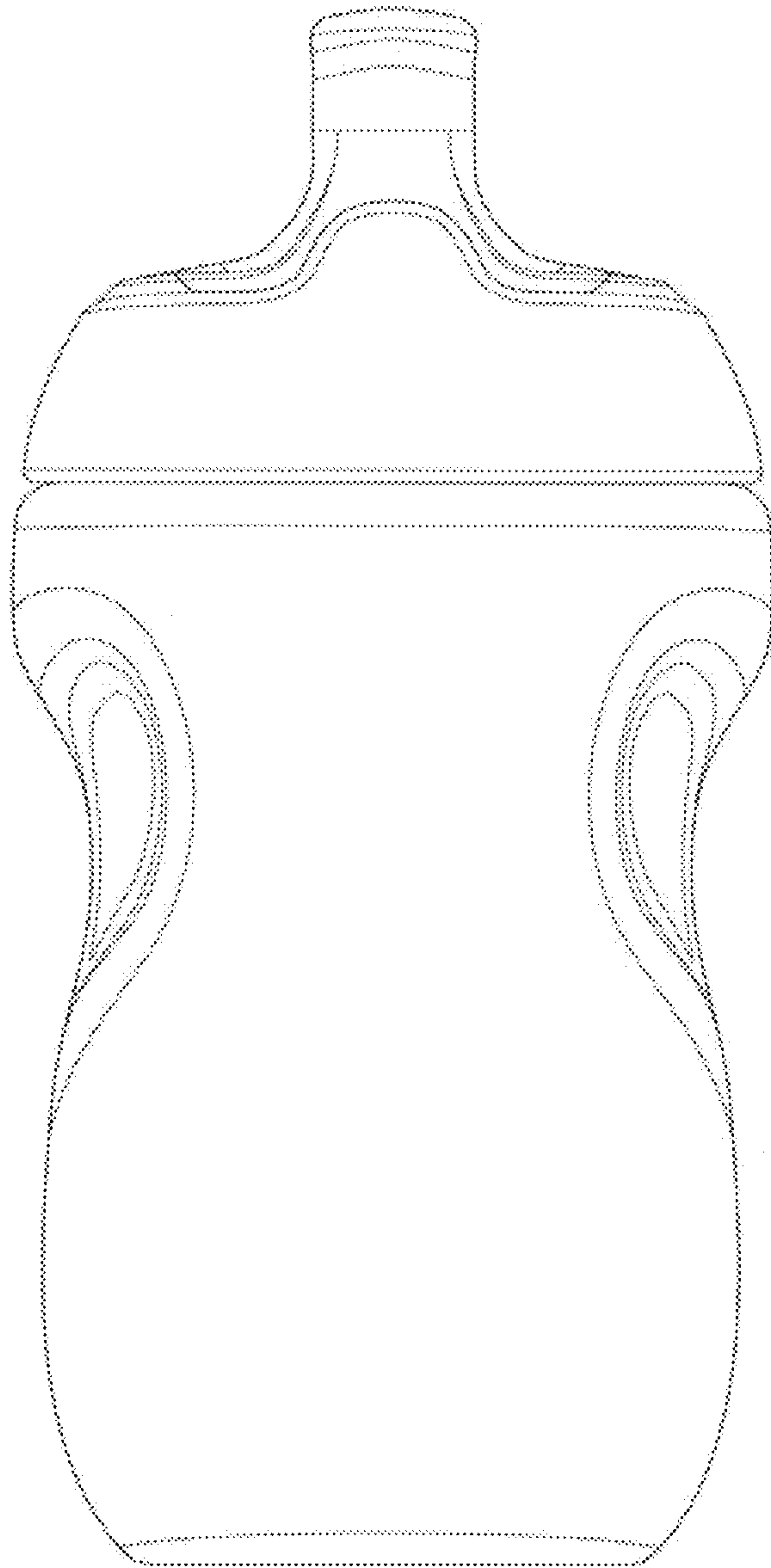


FIG. 3

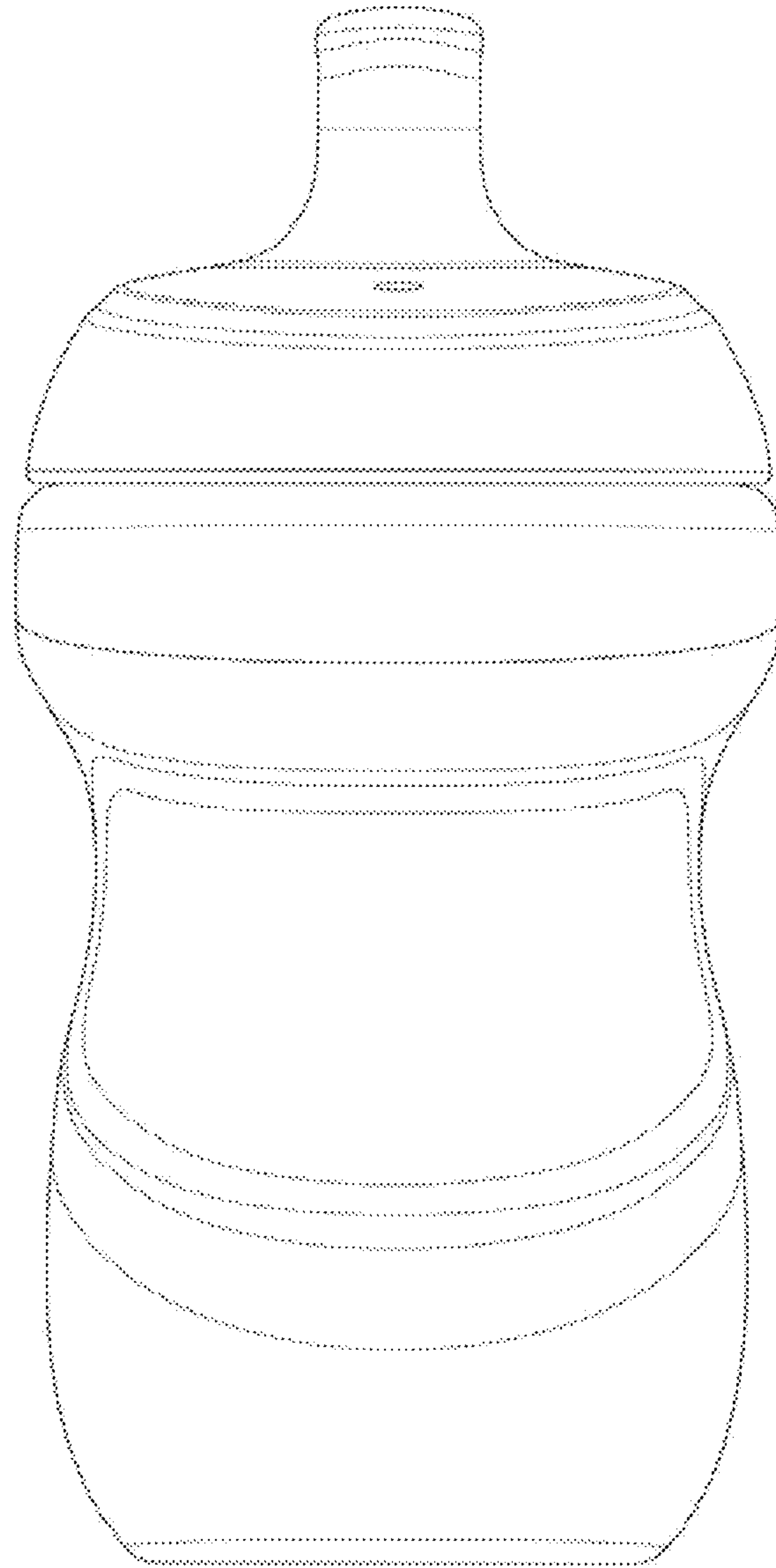


FIG. 4



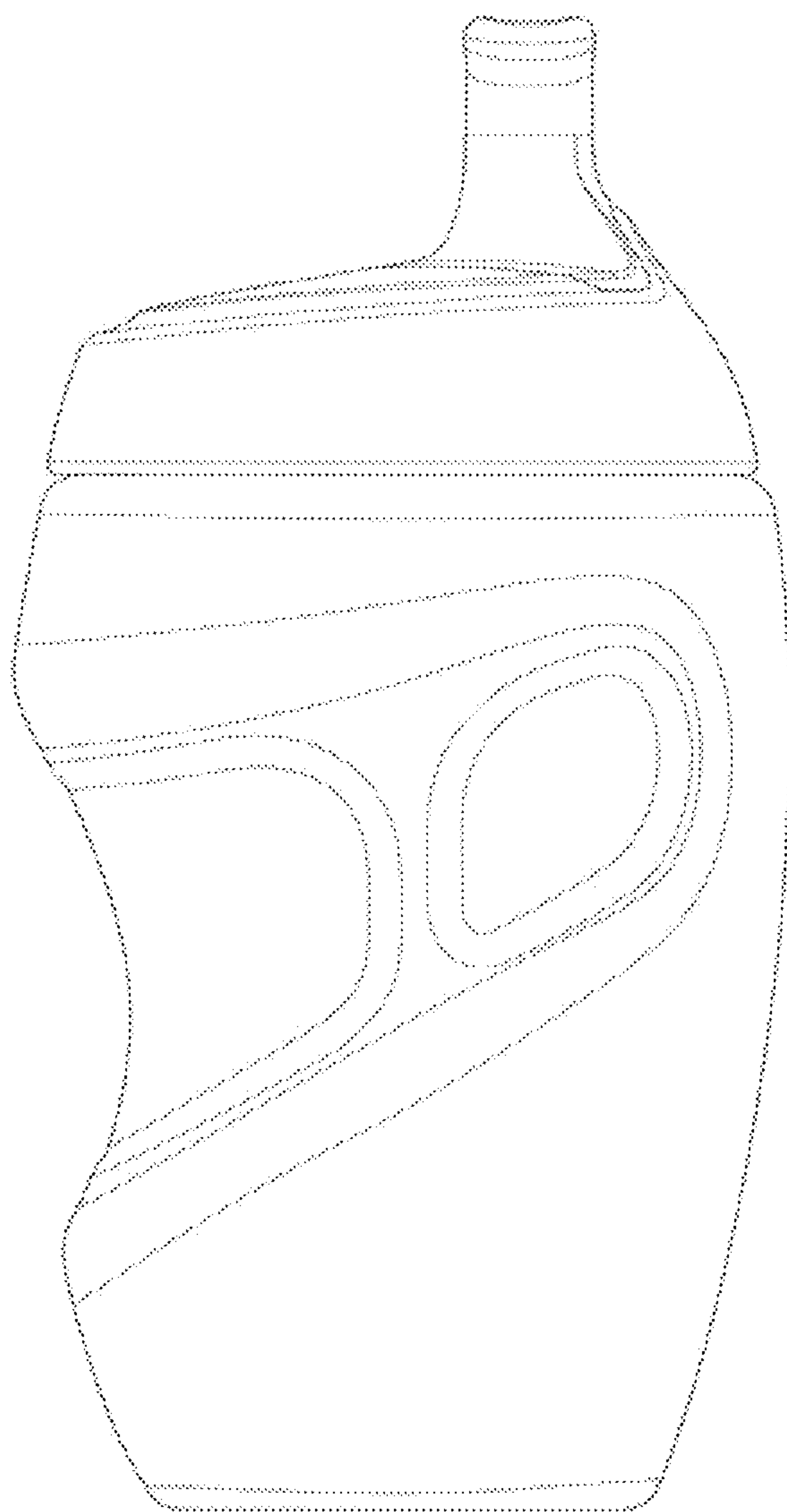


FIG. 5

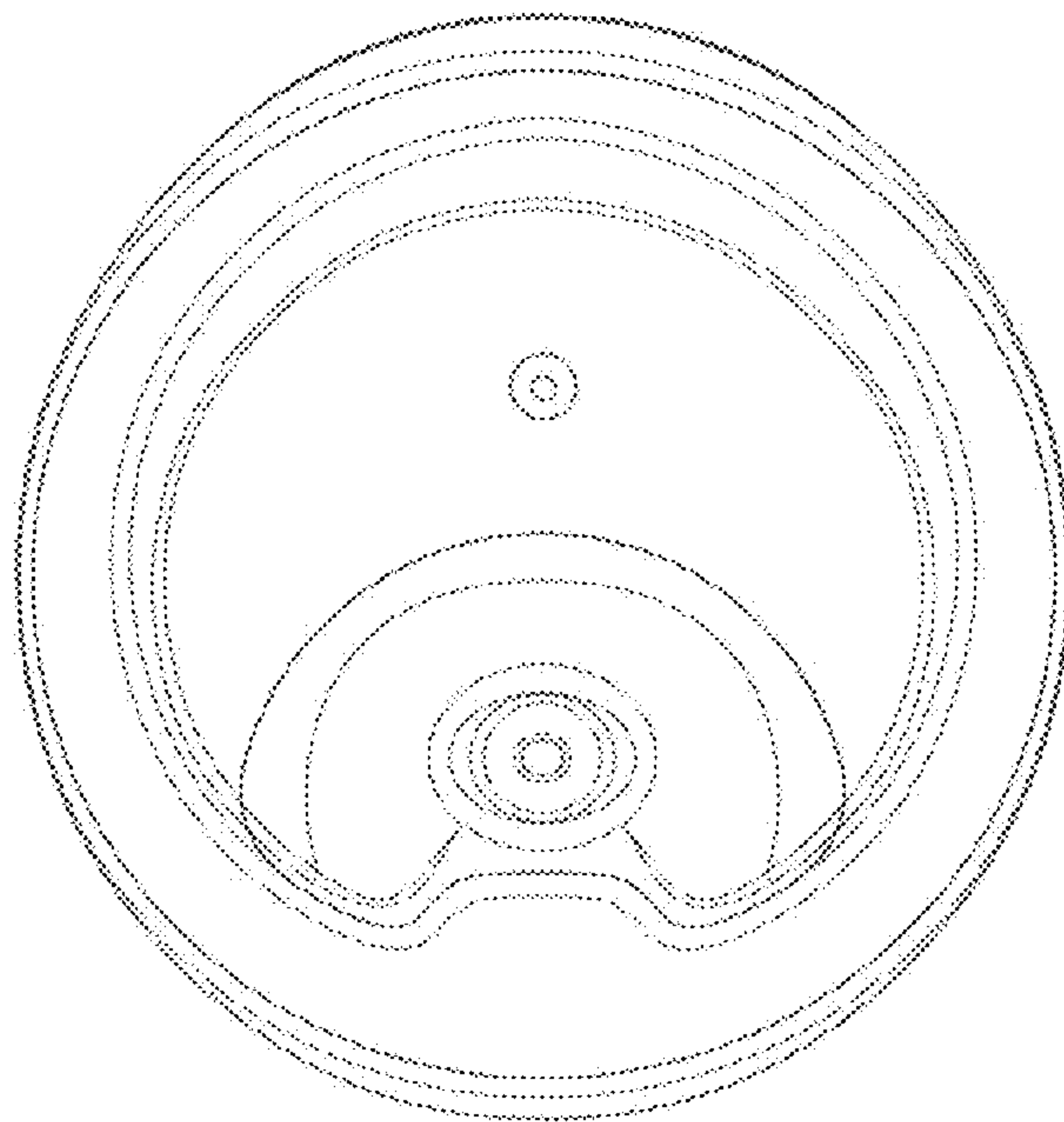


FIG. 6



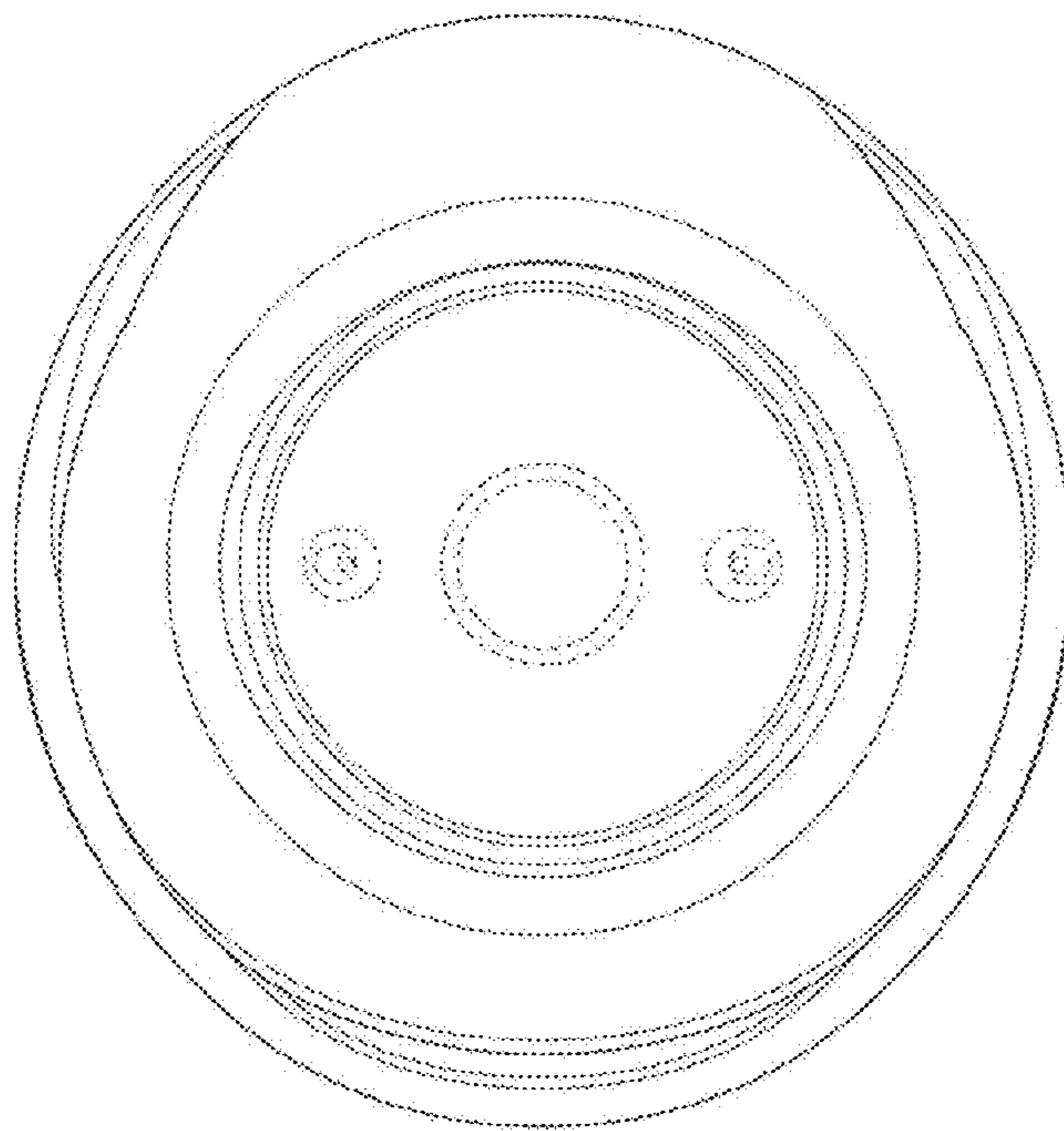


FIG. 7