

US00D757492S

(12) **United States Design Patent**
Ming

(10) **Patent No.:** **US D757,492 S**

(45) **Date of Patent:** **** May 31, 2016**

(54) **COVERED FILTER BASKET**

(71) Applicant: **Chan Sui Ming**, Futian District
Shenzhen (CN)

(72) Inventor: **Chan Sui Ming**, Futian District
Shenzhen (CN)

(73) Assignee: **Fourstar Group Inc.** (TW)

(**) Term: **15 Years**

(21) Appl. No.: **29/559,469**

(22) Filed: **Mar. 29, 2016**

Related U.S. Application Data

(62) Division of application No. 29/510,086, filed on Nov. 25, 2014.

(51) **LOC (10) Cl.** **07-99**

(52) **U.S. Cl.**
USPC **D7/400**

(58) **Field of Classification Search**
USPC D7/400, 398, 399, 510, 667; D11/154,
D11/152; D3/304, 306; D23/209; 99/279,
99/316, 303, 290, 295, 312; 210/471;
426/433

CPC A47J 31/00; A47J 31/44; A47J 31/057;
A47J 47/00; A47J 47/16; A47J 31/446

See application file for complete search history.

(56) **References Cited**

U.S. PATENT DOCUMENTS

D255,313	S	*	6/1980	Elkerbout	D7/400
D256,079	S	*	7/1980	Moncrief	D7/400
D289,726	S	*	5/1987	Greutert	D7/310
4,676,396	A	*	6/1987	Mamolou	B65H 3/02 221/210
5,325,765	A		7/1994	Sylvan et al.		
5,840,189	A		11/1998	Sylvan et al.		
D407,602	S	*	4/1999	Patel	D7/400
D446,844	S	*	8/2001	Claussen	D23/261
D567,021	S		4/2008	Bach et al.		
D677,120	S		3/2013	DeMiglio et al.		

D688,095	S		8/2013	DeMiglio et al.		
D691,418	S	*	10/2013	Minton	D7/399
8,561,524	B2	*	10/2013	DeMiglio	A47J 31/0689 210/232
D694,579	S		12/2013	Khubani		
D707,489	S	*	6/2014	Hertaus	D7/397
D715,649	S	*	10/2014	O'Brien	D9/500
8,906,440	B2	*	12/2014	Otto	A47J 31/0626 426/433
D721,536	S	*	1/2015	Advani	D7/400
8,936,819	B2	*	1/2015	Perentes	A47J 31/0673 426/425
D723,868	S	*	3/2015	Hertaus	D7/399
D747,139	S	*	1/2016	Rondelli	D7/400
2009/0229470	A1	*	9/2009	Dorfmueller	A47J 31/0689 99/295
2012/0321769	A1	*	12/2012	Otto	A47J 31/0642 426/433
2013/0017303	A1		1/2013	Vu		
2014/0170281	A1	*	6/2014	Zweed	B65D 53/02 426/433
2015/0157165	A1	*	6/2015	Talon	A47J 31/407 206/0.5

* cited by examiner

Primary Examiner — Marianne Pandozzi

(74) *Attorney, Agent, or Firm* — Salter & Michaelson

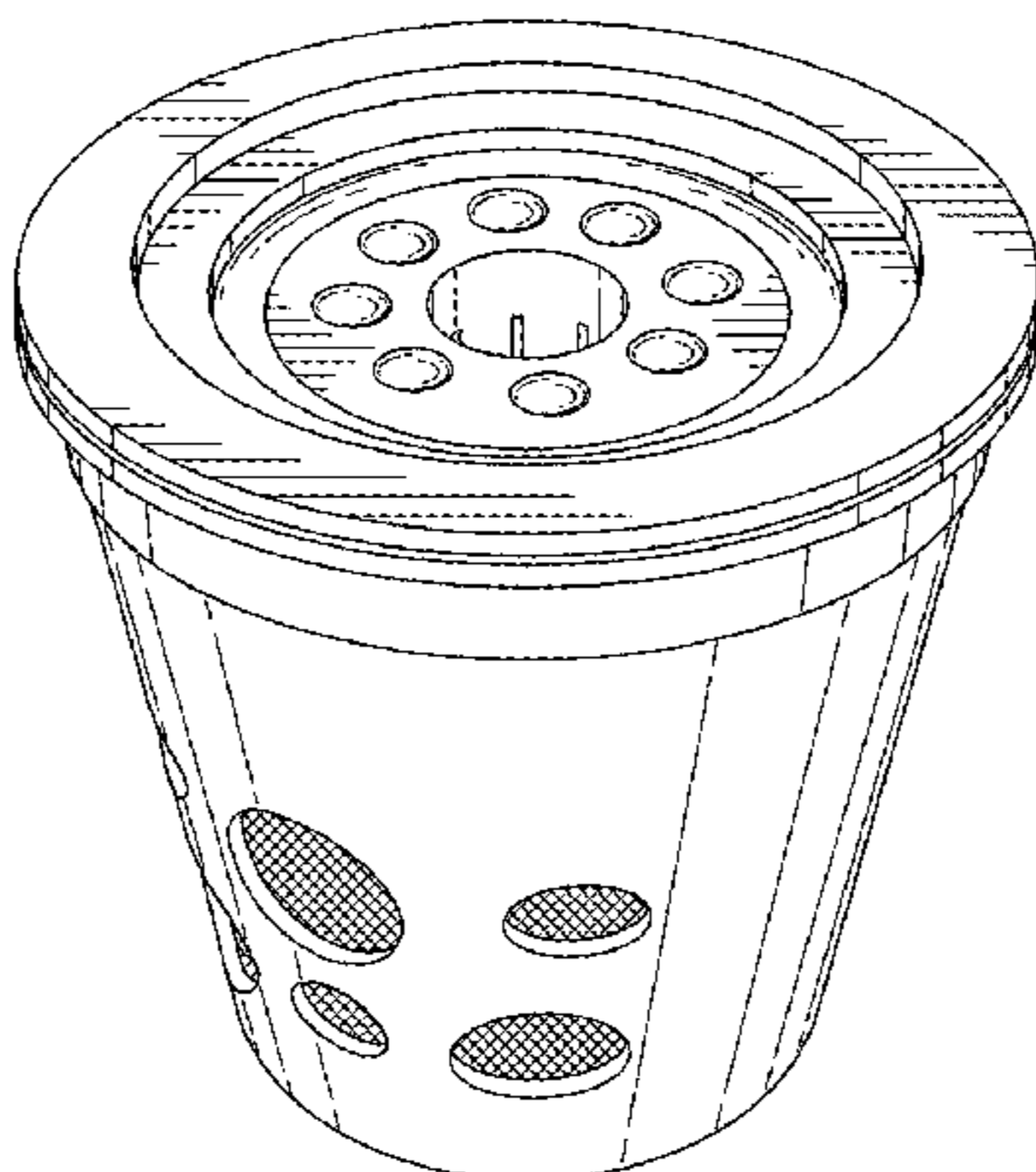
(57) **CLAIM**

The ornamental design for a covered filter basket, as shown and described.

DESCRIPTION

FIG. 1 is a top perspective view of a covered filter basket; FIG. 2 is a bottom perspective thereof; FIG. 3 is a front elevational view thereof; FIG. 4 is a rear elevational view thereof; FIG. 5 is a left side elevational view thereof; FIG. 6 is a right side elevational view thereof; FIG. 7 is a top plan view thereof; FIG. 8 is a bottom plan view thereof; and, FIG. 9 is an exploded perspective view thereof. The broken lines in the drawings depict environmental subject matter only and form no part of the claimed design.

1 Claim, 6 Drawing Sheets



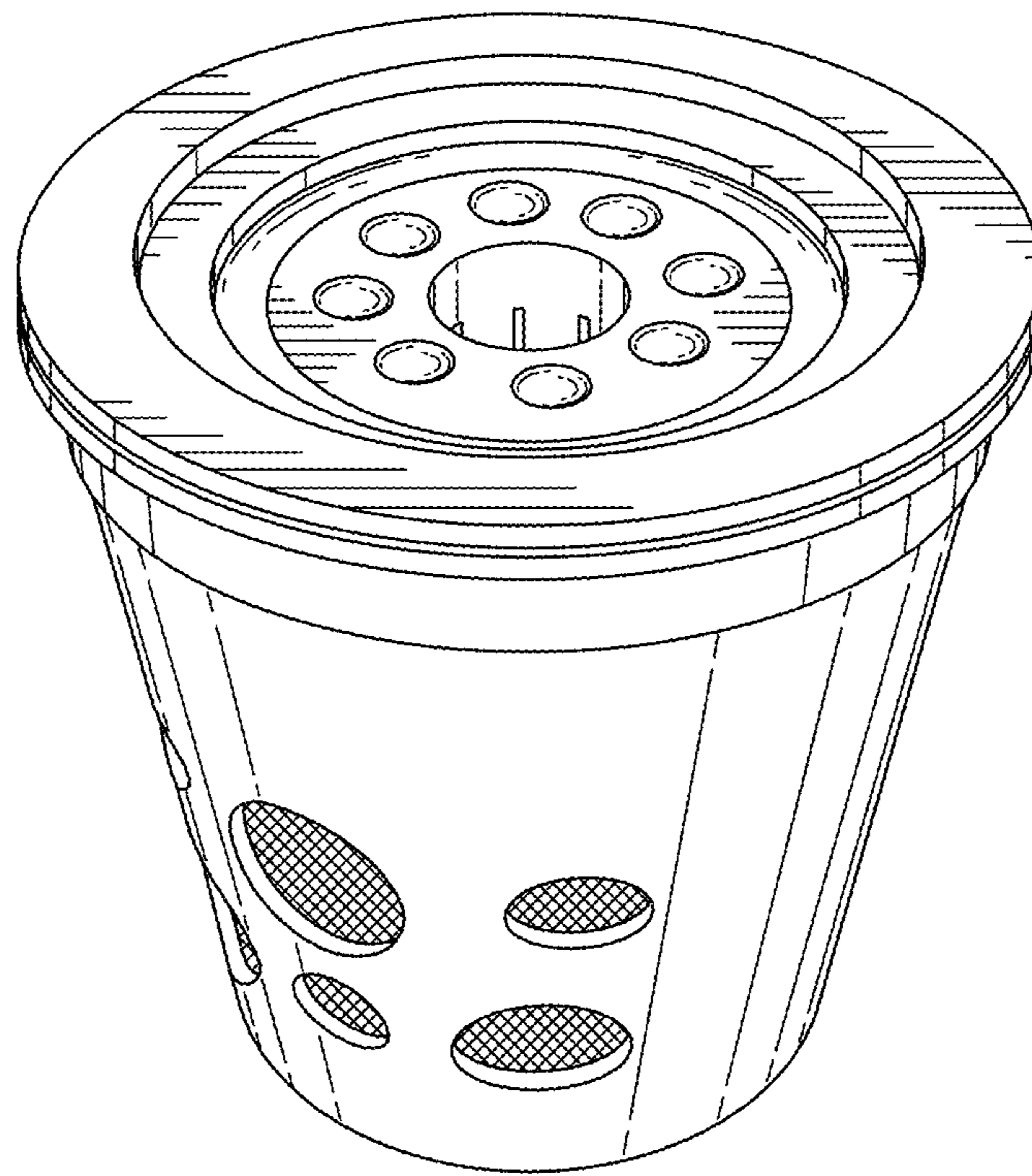


FIG. 1

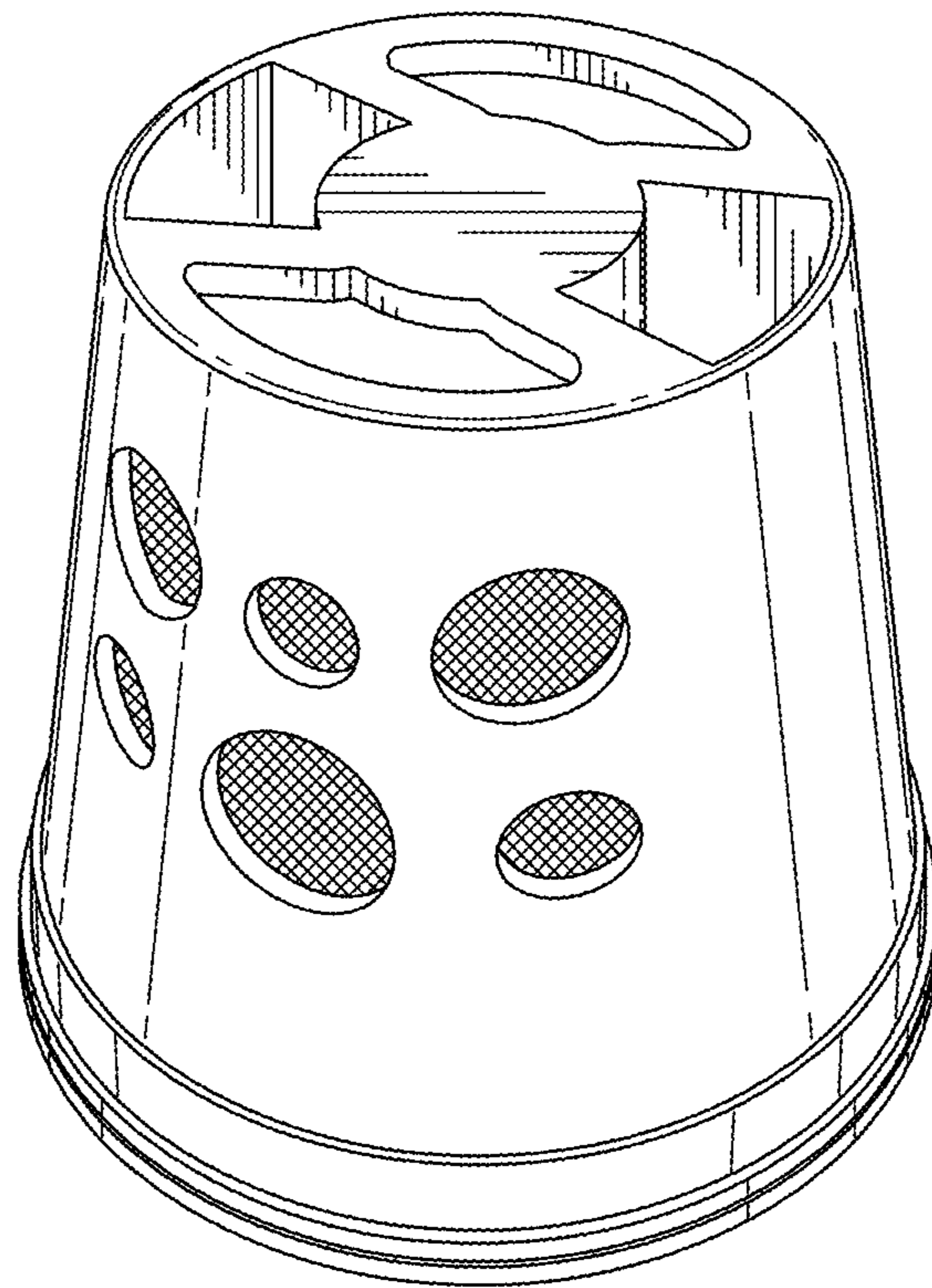


FIG. 2

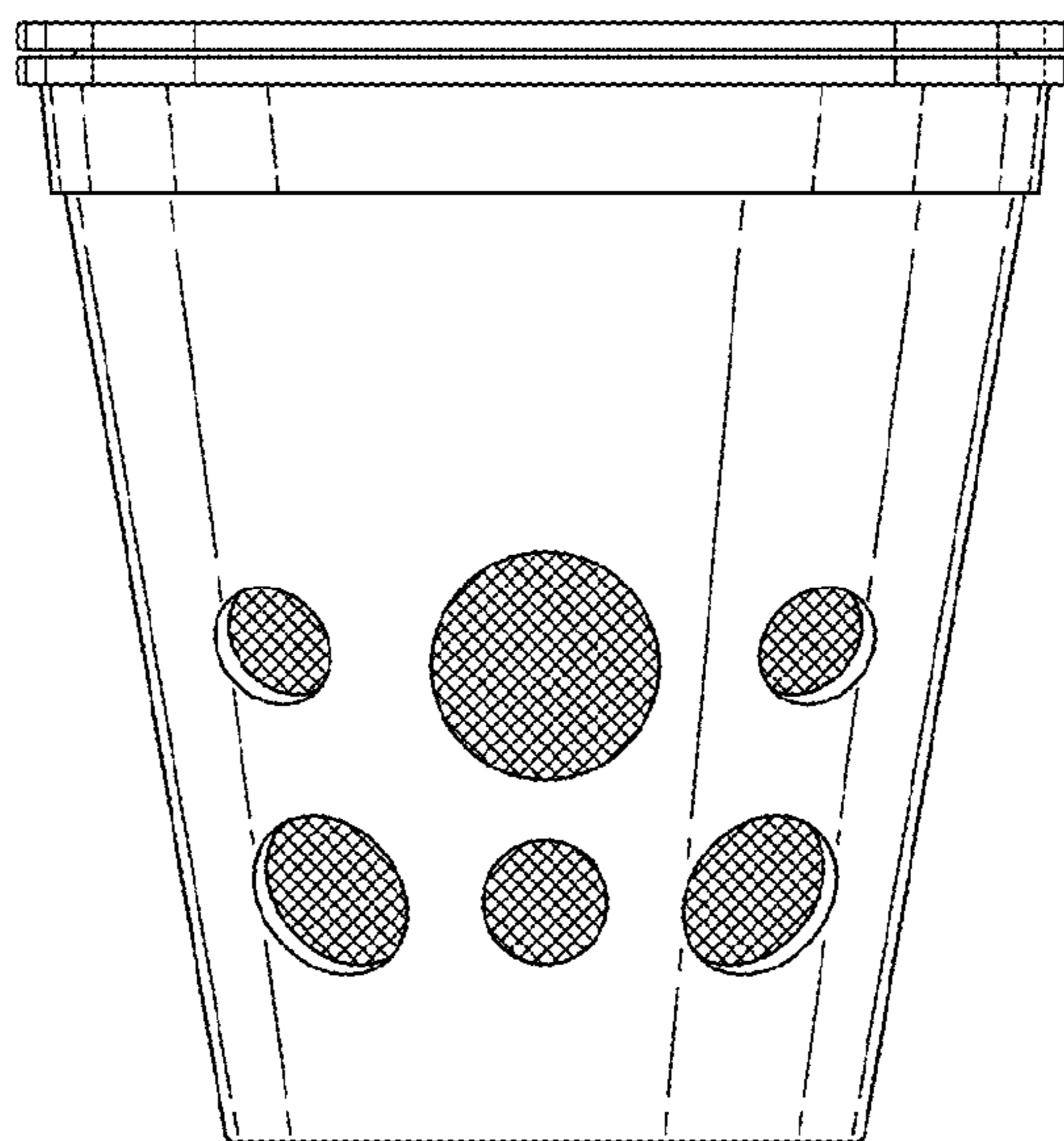


FIG. 3

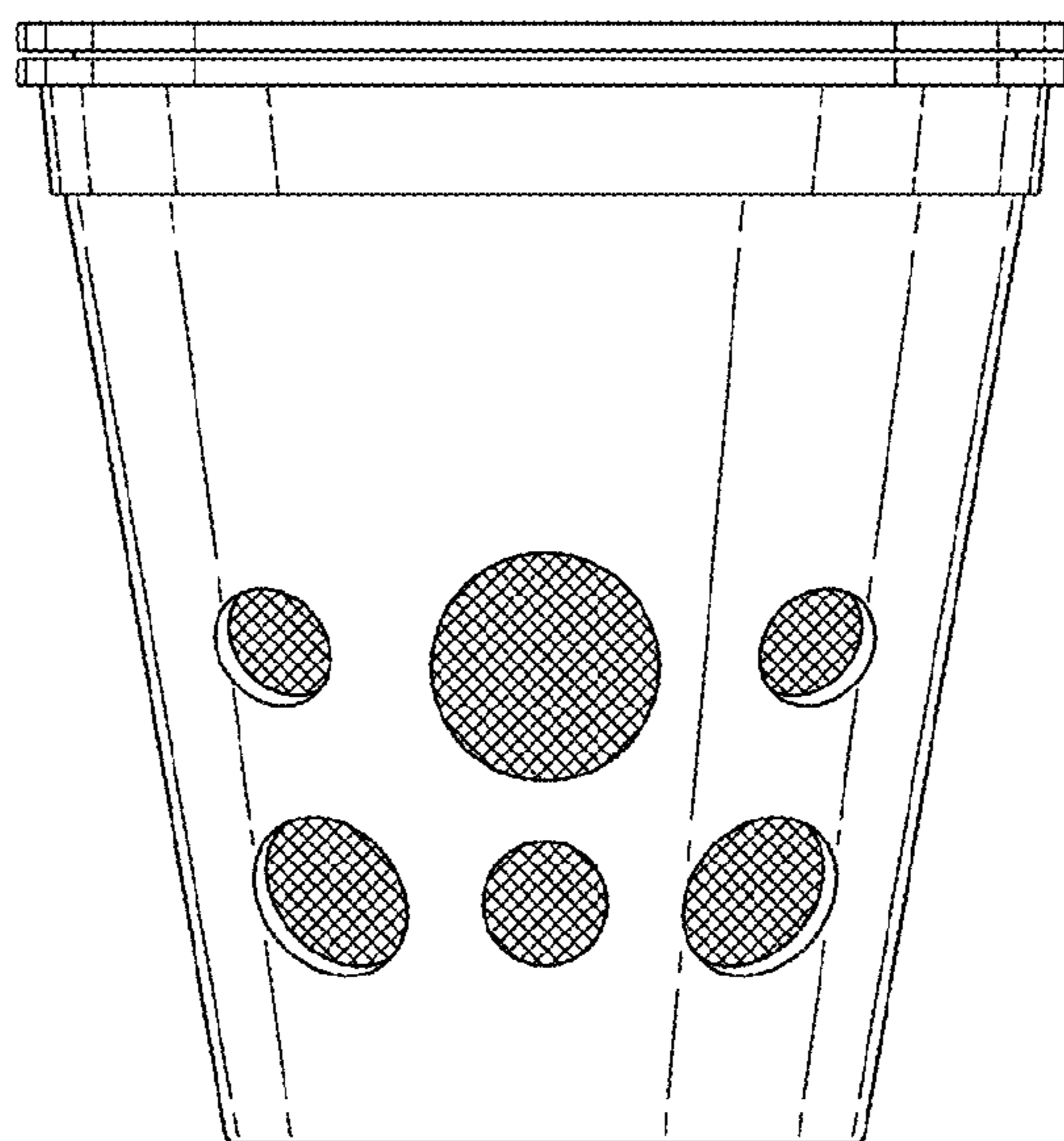


FIG. 4

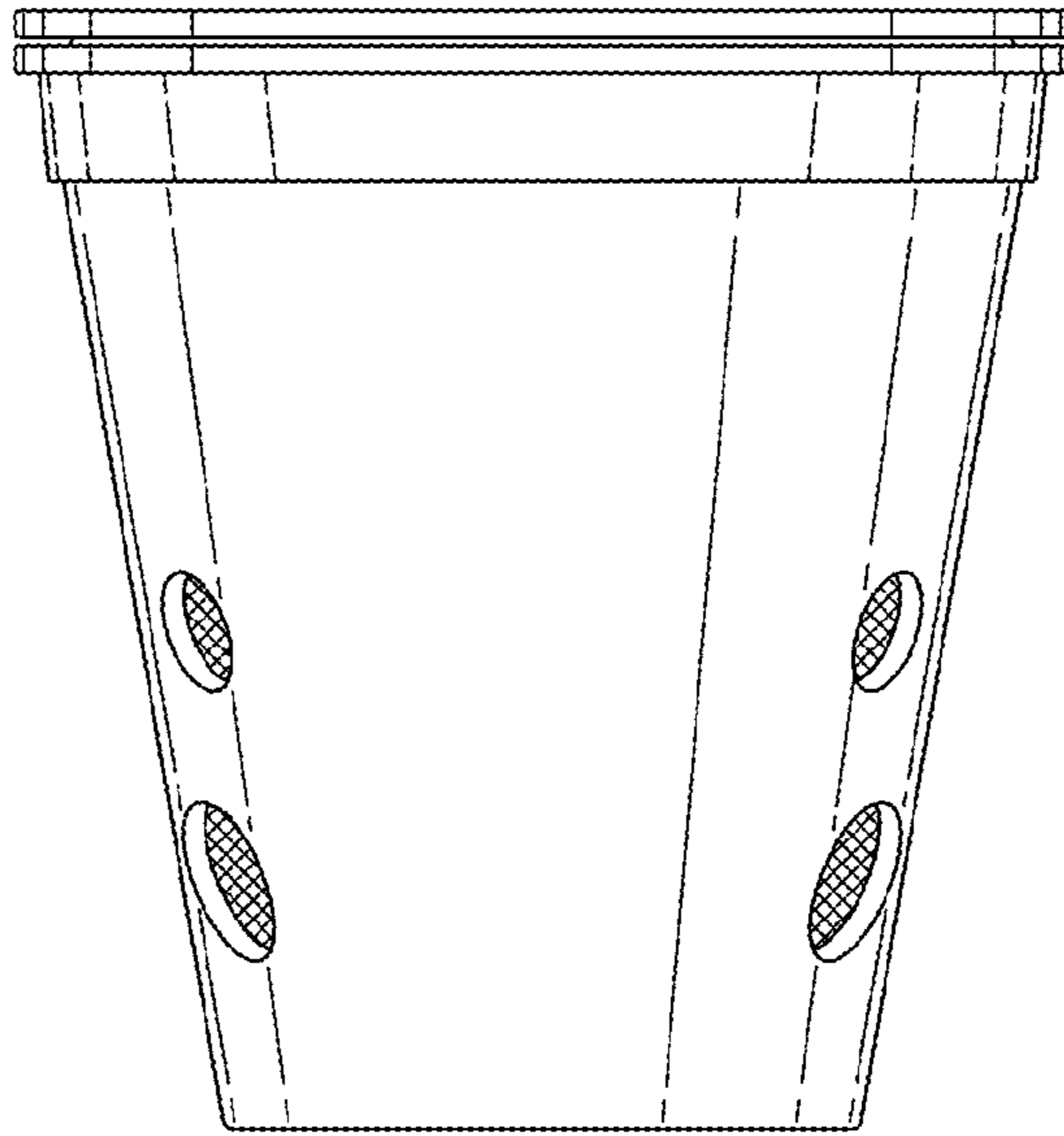


FIG. 5

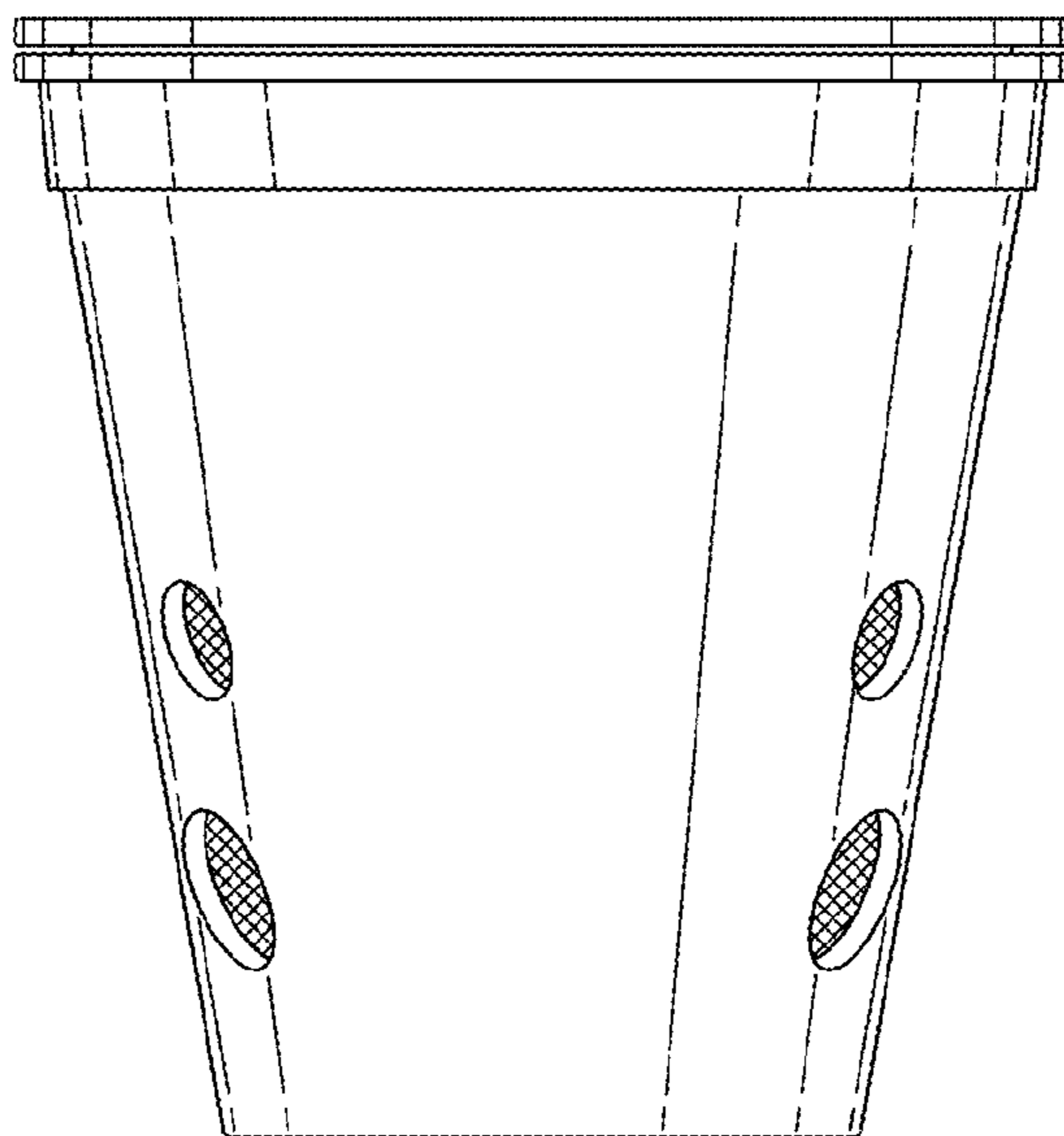


FIG. 6

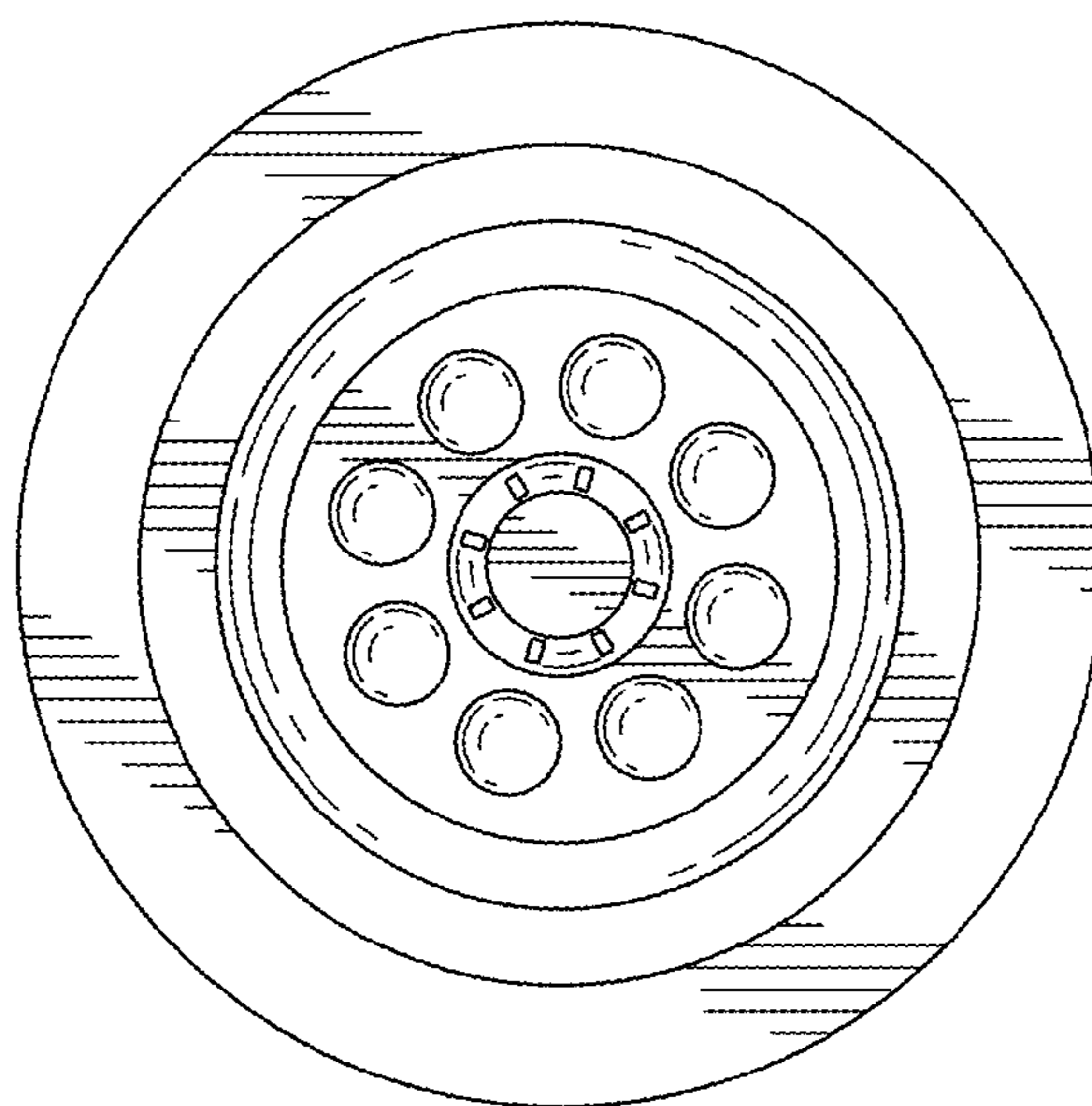


FIG. 7

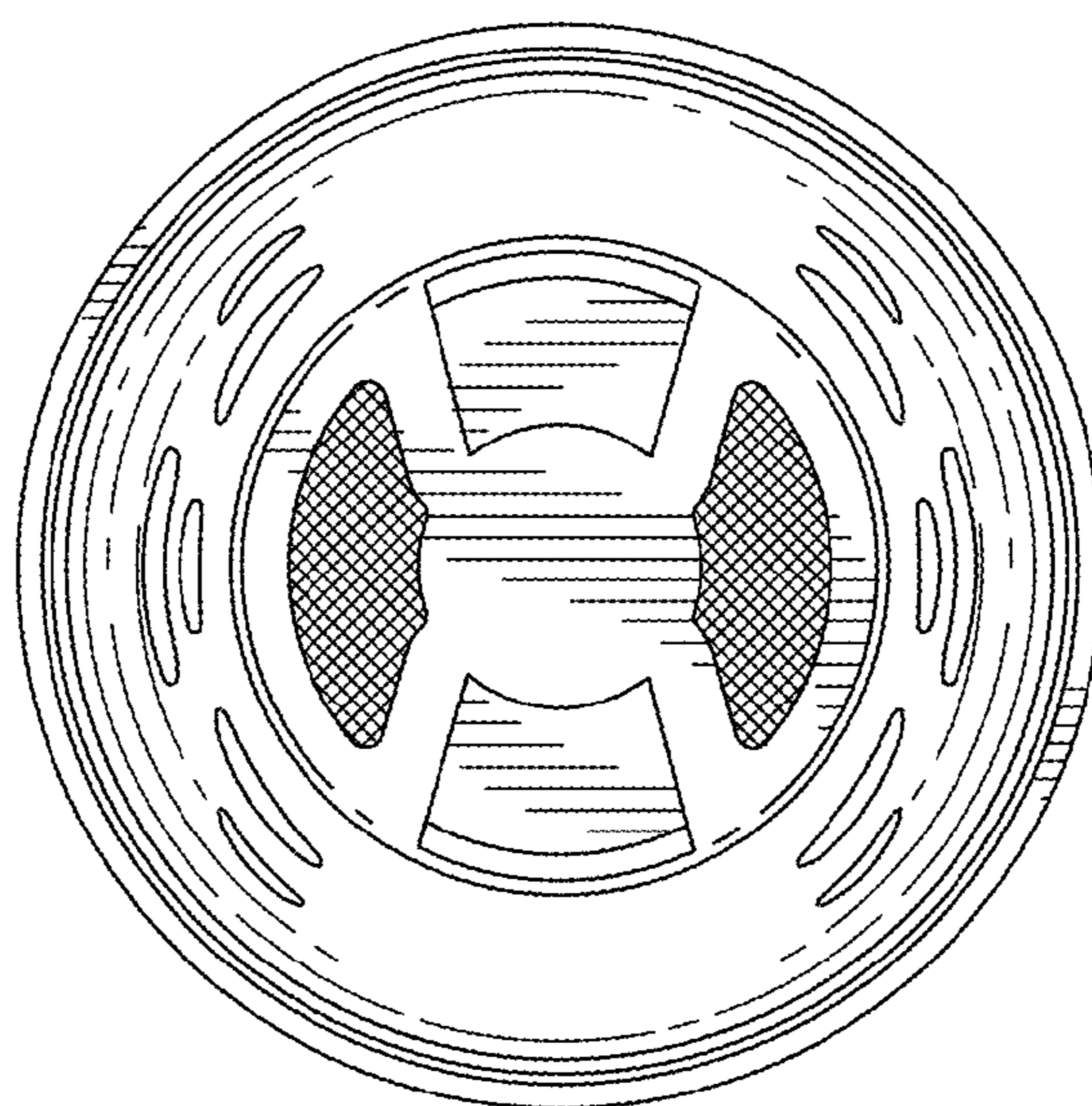


FIG. 8

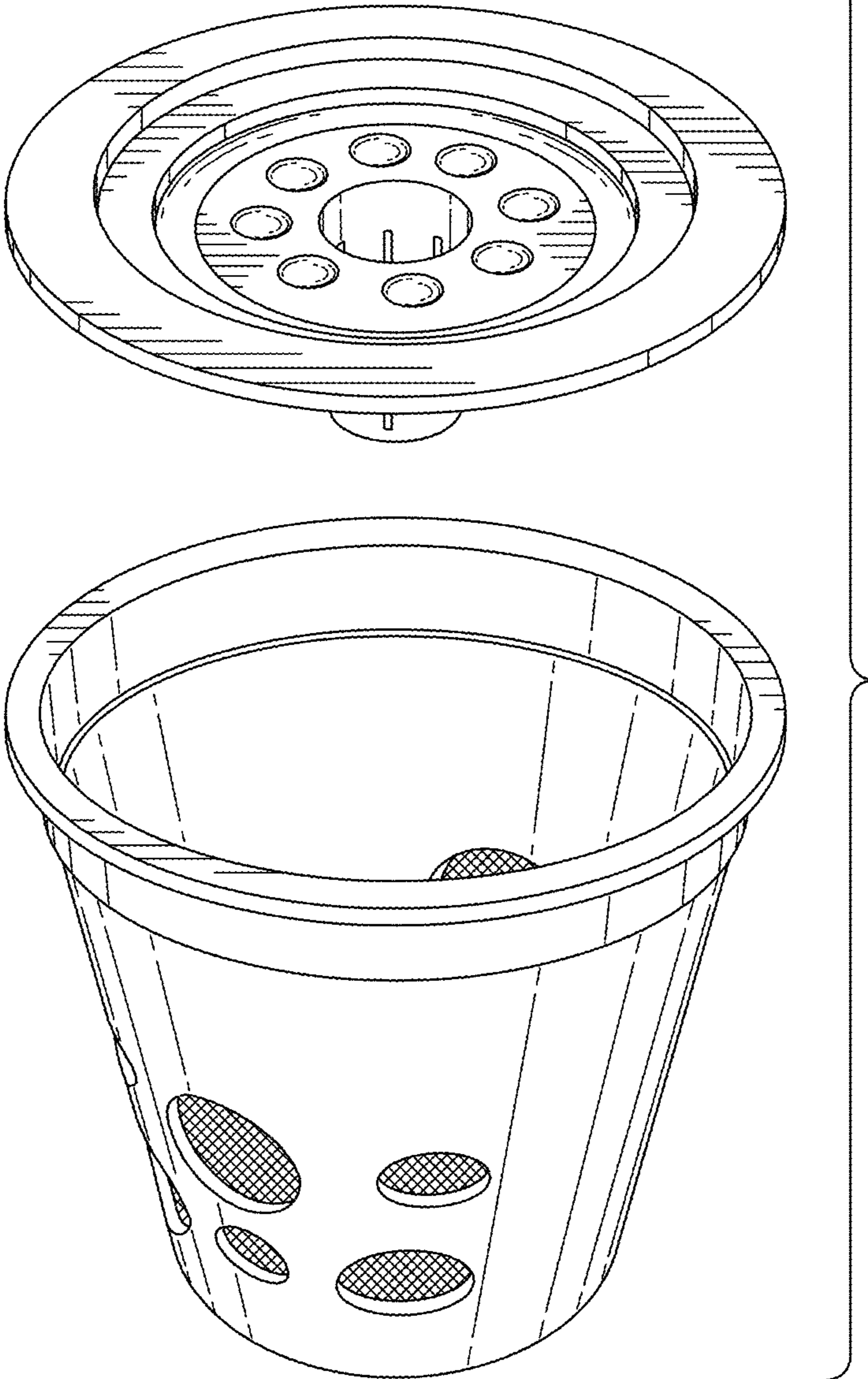


FIG. 9

UNITED STATES PATENT AND TRADEMARK OFFICE
CERTIFICATE OF CORRECTION

PATENT NO. : D757,492 S
APPLICATION NO. : 29/559469
DATED : May 31, 2016
INVENTOR(S) : Chan Sui Ming

Page 1 of 8

It is certified that error appears in the above-identified patent and that said Letters Patent is hereby corrected as shown below:

On the Title Page

Delete the title page and substitute therefore with the attached title page consisting of the corrected illustrative figure.

In the Drawings

Please replace FIGS. 1-9 with FIGS. 1-9 as shown on the attached pages.

Signed and Sealed this
Twenty-fifth Day of April, 2017



Michelle K. Lee
Director of the United States Patent and Trademark Office

(12) **United States Design Patent**
Ming

(10) **Patent No.:** US D757,492 S
(45) **Date of Patent:** ** May 31, 2016

(54) **COVERED FILTER BASKET**
(71) Applicant: **Chan Sui Ming**, Futian District
Shenzhen (CN)
(72) Inventor: **Chan Sui Ming**, Futian District
Shenzhen (CN)
(73) Assignee: **Fourstar Group Inc.** (TW)
(**) Term: **15 Years**
(21) Appl. No.: **29/559,469**
(22) Filed: **Mar. 29, 2016**

D688,095 S 8/2013 DeMiglio et al
D691,418 S * 10/2013 Minton D7399
8,561,524 B2 * 10/2013 DeMiglio A17J 31:0689
310:232
D694,579 S 12/2013 Khubani
D707,489 S * 6/2014 Henaus D7399
D715,649 S * 10/2014 O'Drien D9350
8,906,110 B2 * 12/2011 Otto A17J 31:0626
426:433
D721,535 S * 1/2015 Advani D7400
8,936,819 B2 * 1/2015 Perentes A17J 31:0673
426:425
D723,868 S * 3/2015 Henaus D7399
D747,139 S * 1/2016 Ronzelli D7400
2009/0229470 A1 * 9/2009 Dorfmueller A47J 31:0689
99:295
2012/0321769 A1 * 12/2012 Otto A47J 31:0642
426:433
2013/0017303 A1 1/2013 Vu
2014/0170281 A1 * 6/2014 Zweed B65D 53:02
426:433
2015/0157165 A1 * 6/2015 Talon A47J 31:407
206:0.5

Related U.S. Application Data

(62) Division of application No. 29/510,086, filed on Nov.
25, 2014.
(51) **LOC (10) Cl.** 07-99
(52) **U.S. Cl.**
USPC D7/400
(58) **Field of Classification Search**
USPC D7/400, 398, 399, 510, 667; D11/154,
D11/152; D5/304, 306, D23/209, 99/279,
99/316, 303, 290, 295, 312; 210/471;
426/433
CPC A47J 31/00; A47J 31/44; A47J 31/057;
A47J 47/00; A47J 47/16; A47J 31/446
See application file for complete search history.

** cited by examiner

Primary Examiner — Marianna Pandozzi
(74) *Attorney, Agent or Firm* — Salter & Michaelson

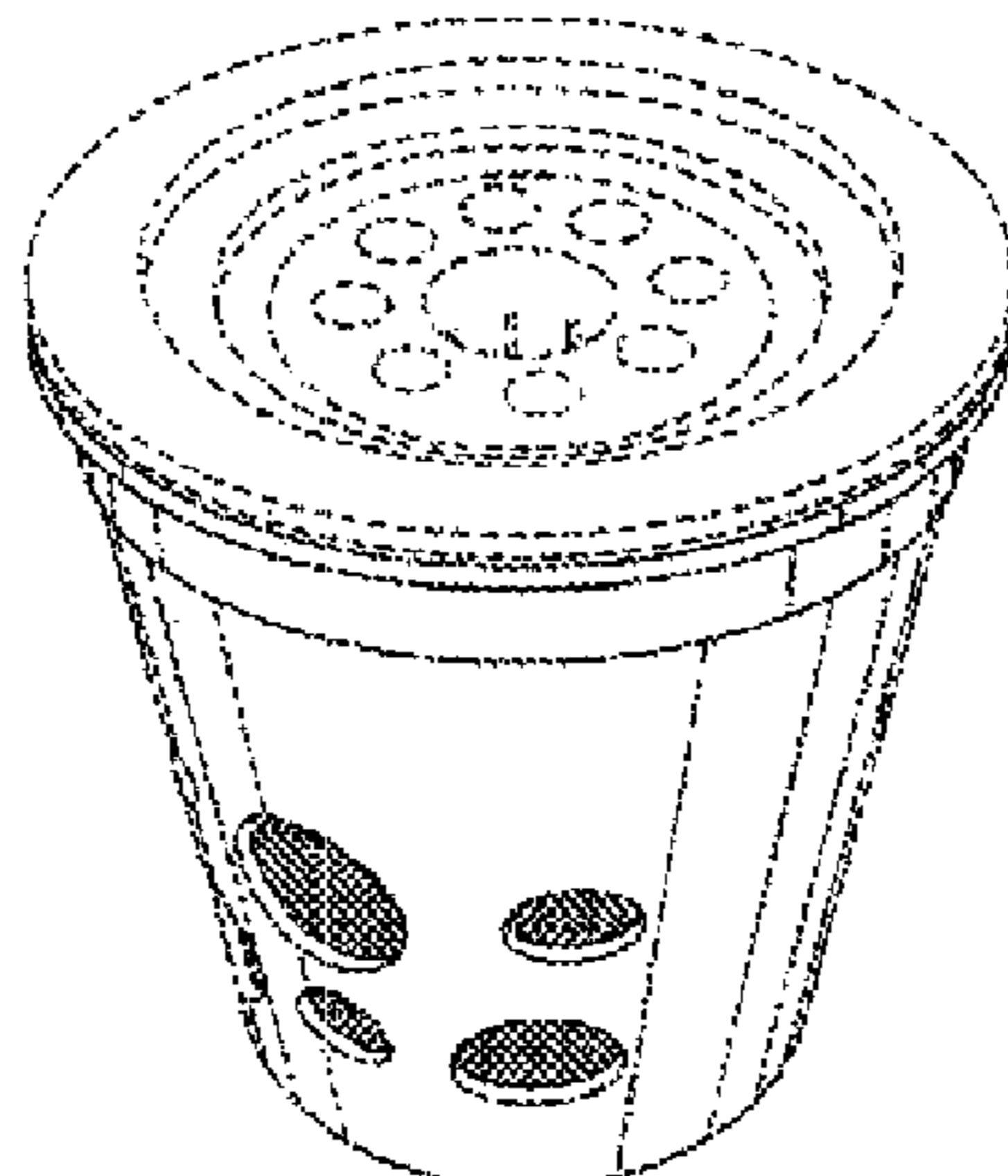
(57) **CLAIM**
The ornamental design for a covered filter basket, as shown
and described.

DESCRIPTION

FIG. 1 is a top perspective view of a covered filter basket;
FIG. 2 is a bottom perspective thereof;
FIG. 3 is a front elevational view thereof;
FIG. 4 is a rear elevational view thereof;
FIG. 5 is a left side elevational view thereof;
FIG. 6 is a right side elevational view thereof;
FIG. 7 is a top plan view thereof;
FIG. 8 is a bottom plan view thereof; and,
FIG. 9 is an exploded perspective view thereof.
The broken lines in the drawings depict environmental sub-
ject matter only and form no part of the claimed design.

1 Claim, 6 Drawing Sheets

(56) **References Cited**
U.S. PATENT DOCUMENTS
D255,313 S * 6/1980 Elkerbout D7/400
D256,079 S * 7/1980 Moncrief D7/400
D289,726 S * 5/1987 Greuter D7/310
4,576,396 A * 6/1987 Marofcu B65D 3:02
221:210
5,325,765 A 7/1994 Sylvan et al.
5,840,189 A 11/1998 Sylvan et al.
D407,602 S * 4/1999 Patel D7/400
D446,844 S * 8/2001 Claussen D23/261
D567,071 S 4/2008 Bach et al.
D677,126 S 3/2013 DeMiglio et al.



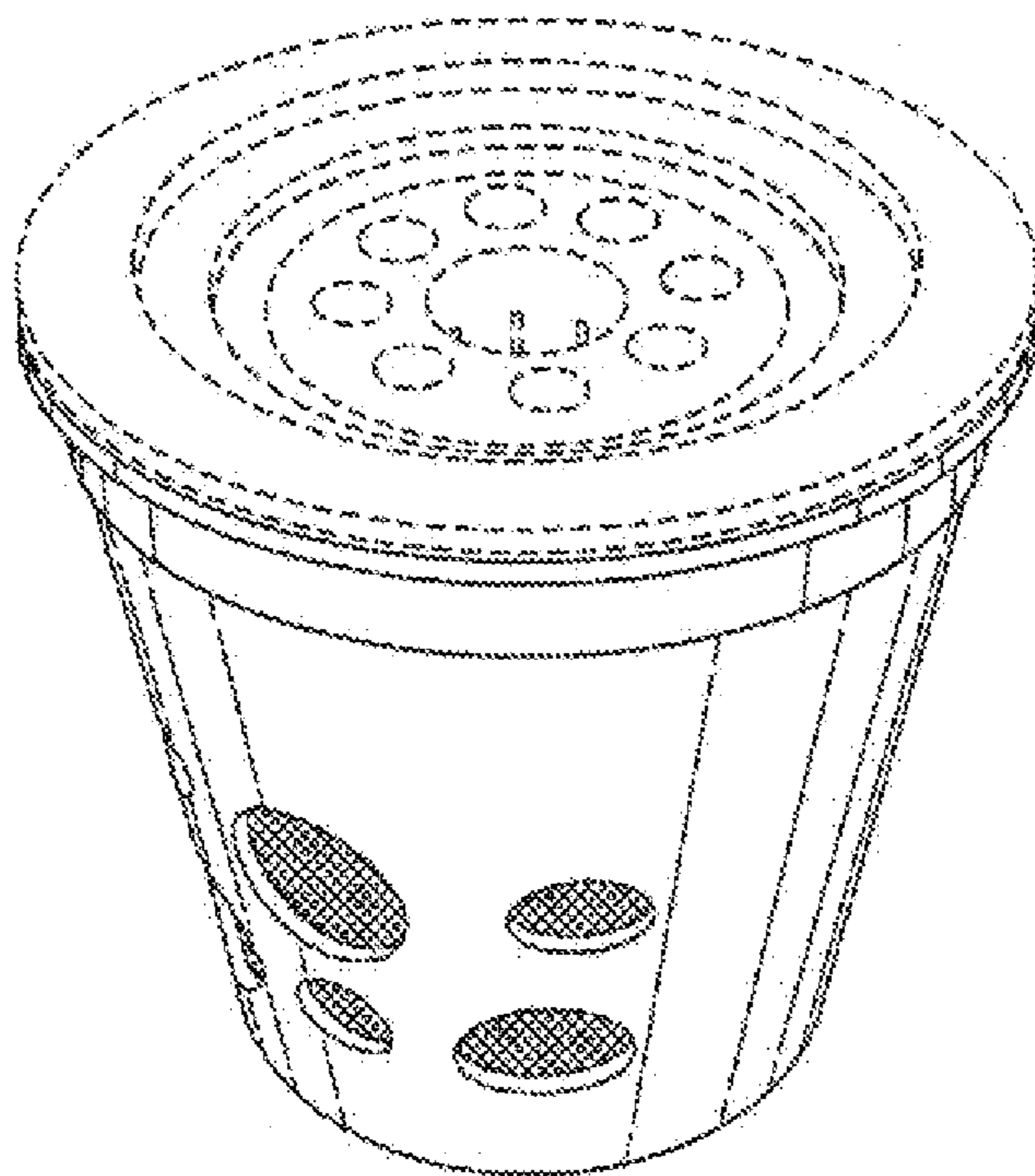


FIG. 1

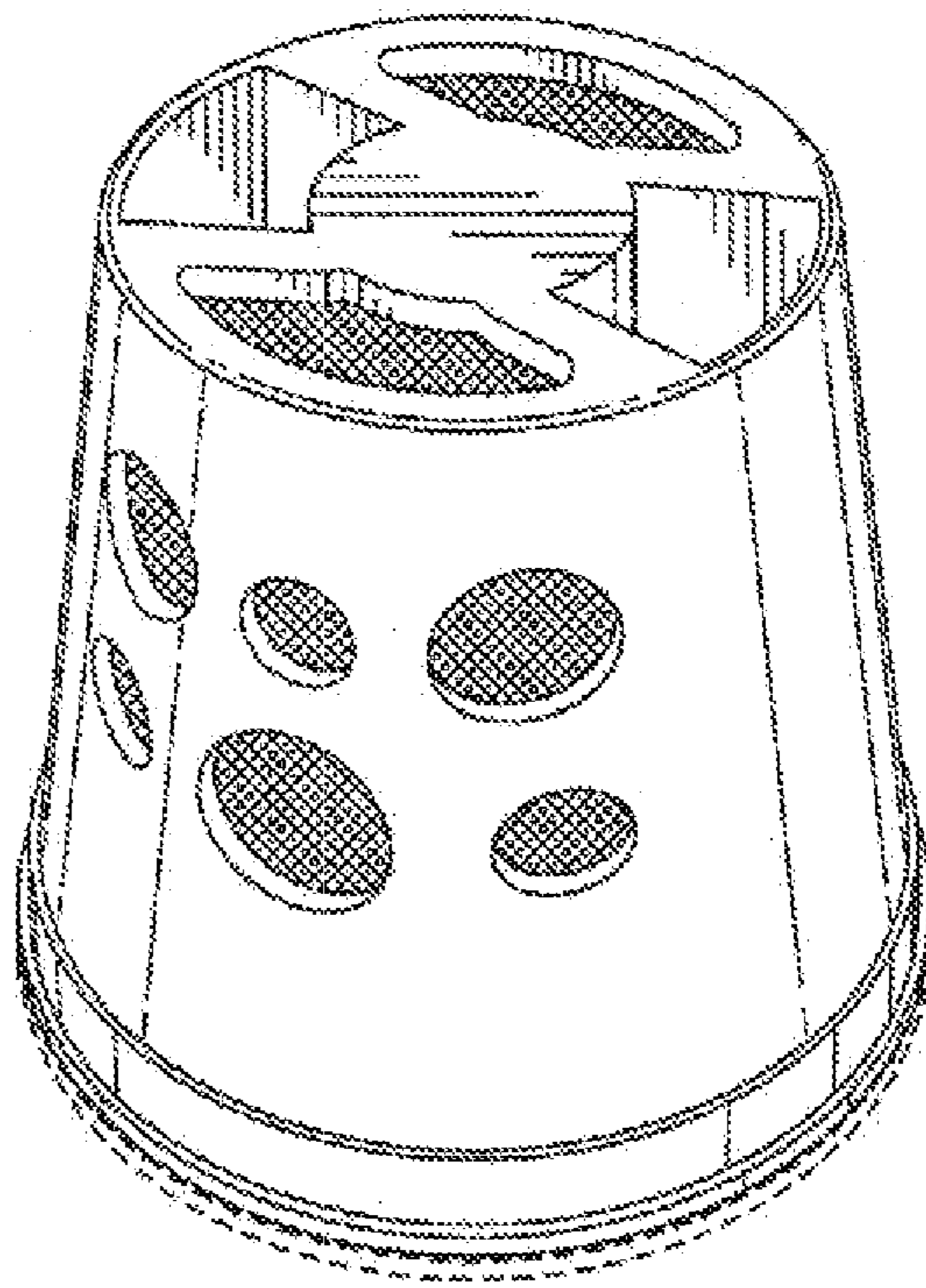


FIG. 2

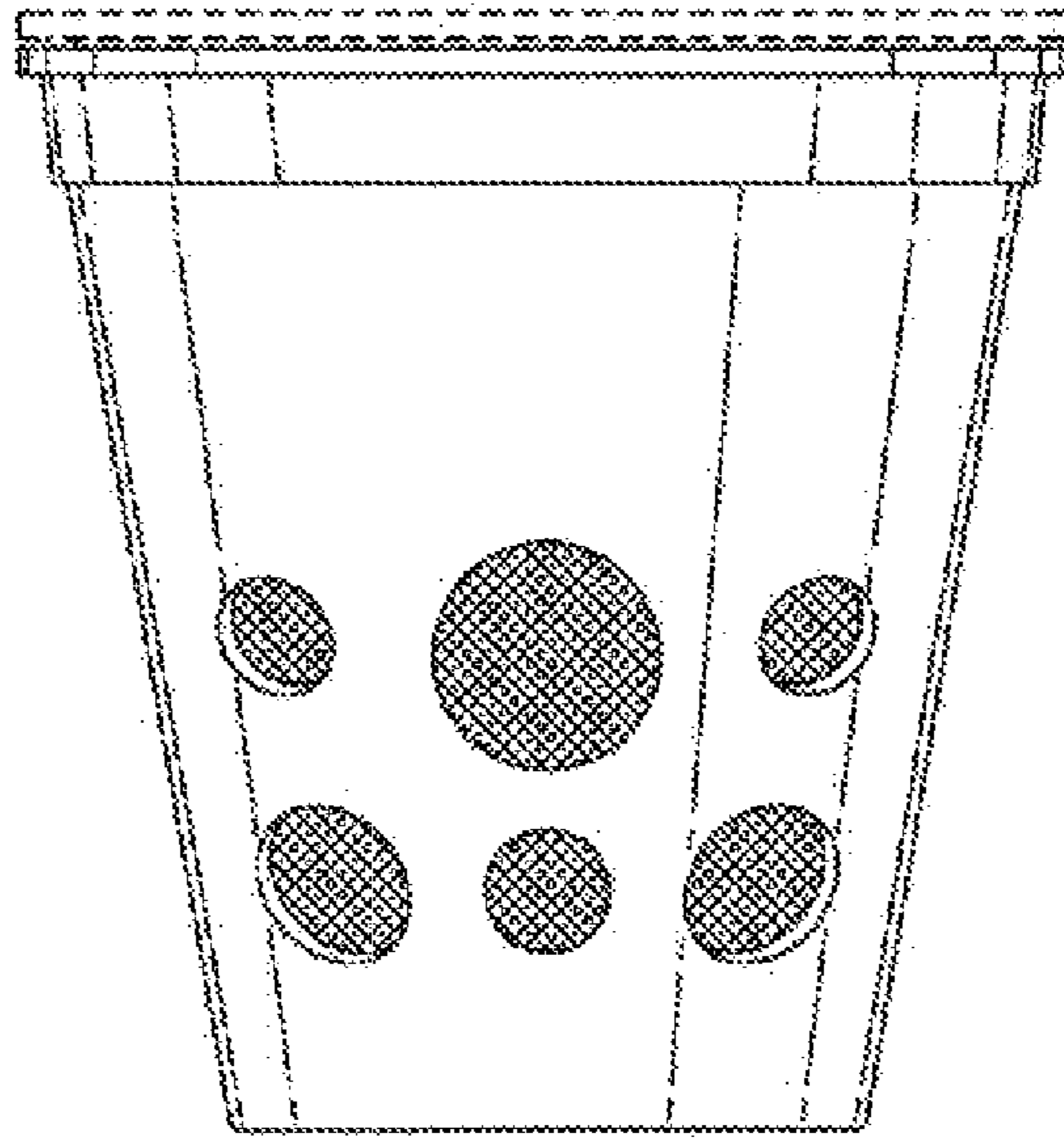


FIG. 3

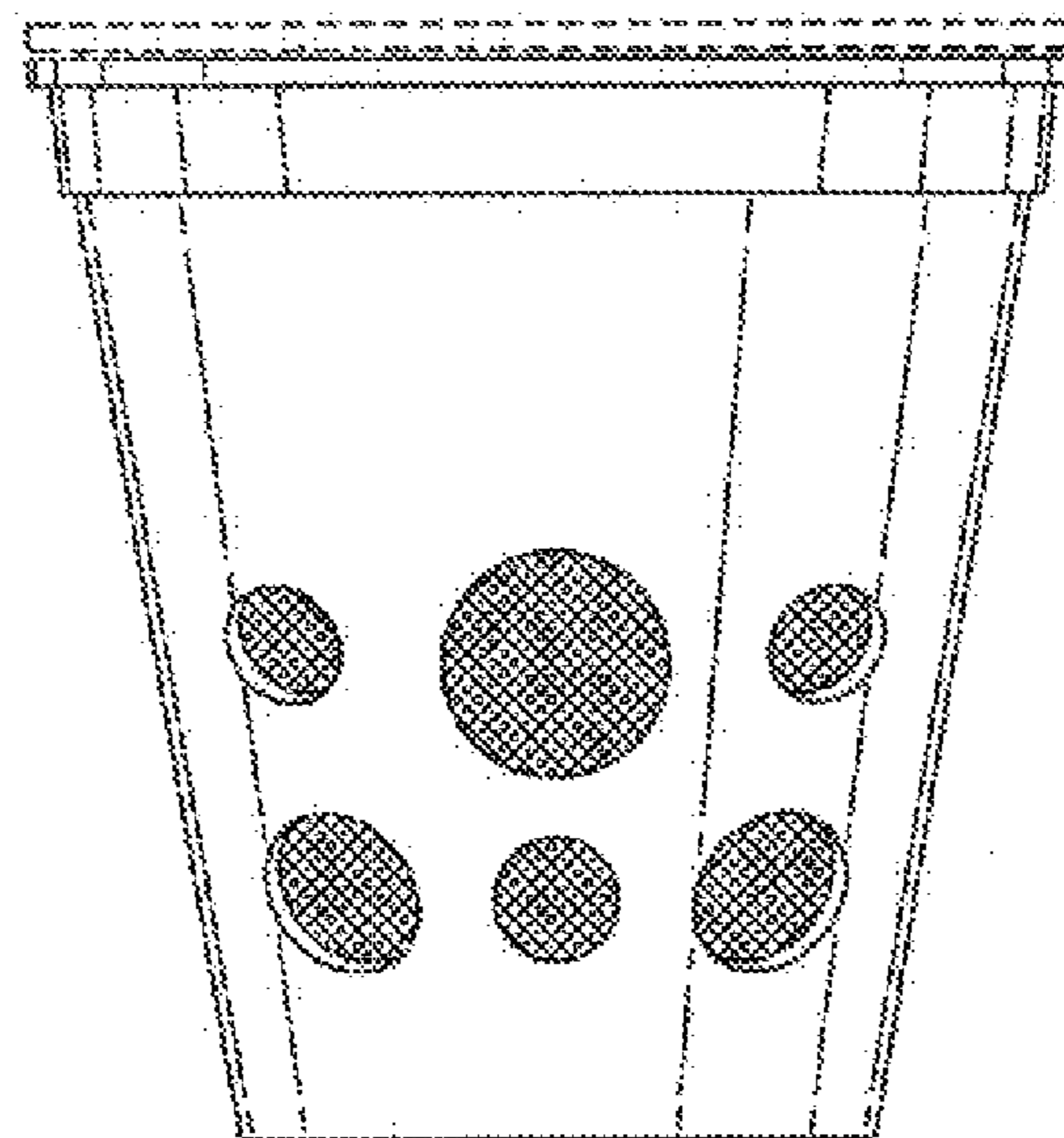


FIG. 4

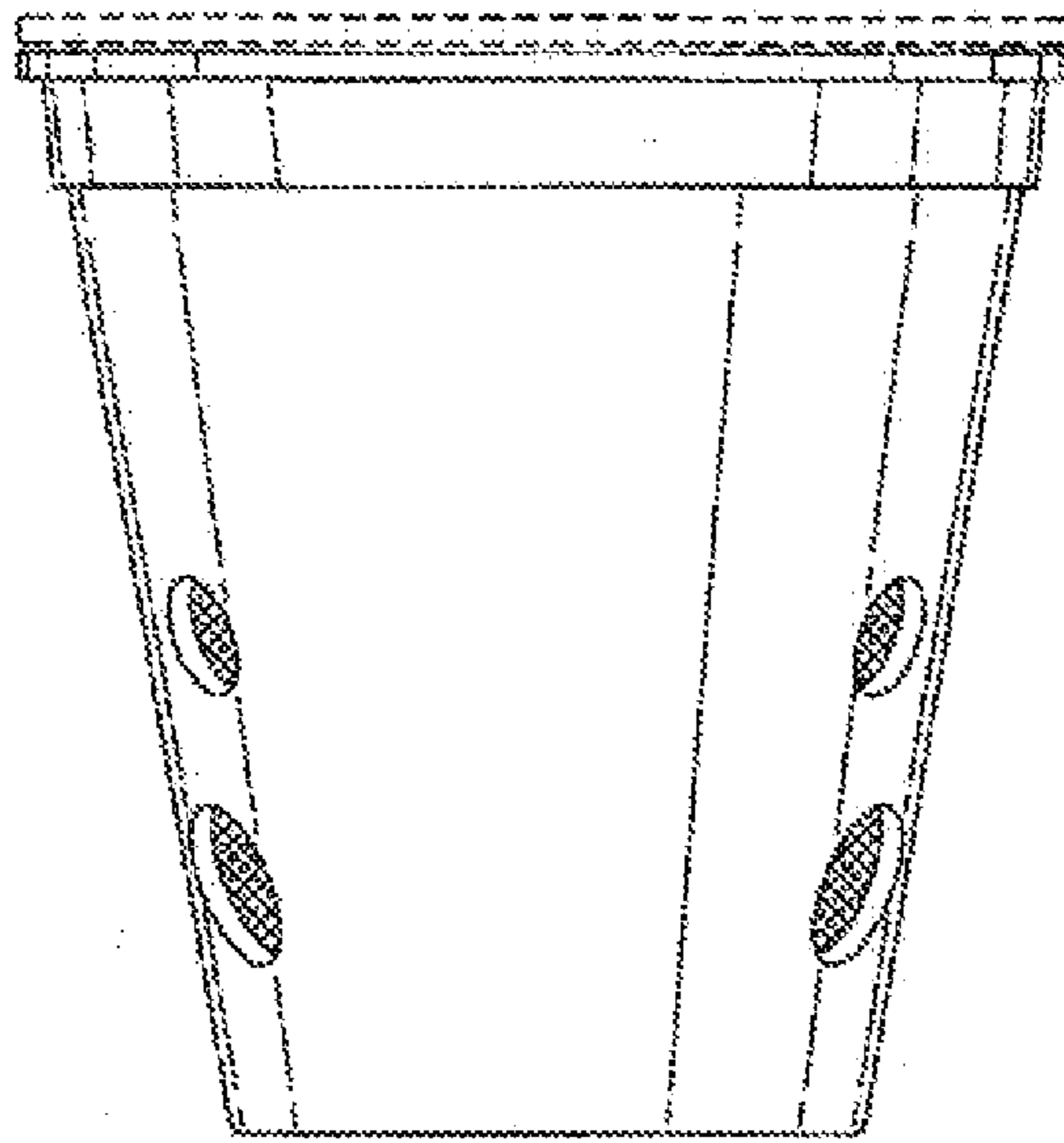


FIG. 5

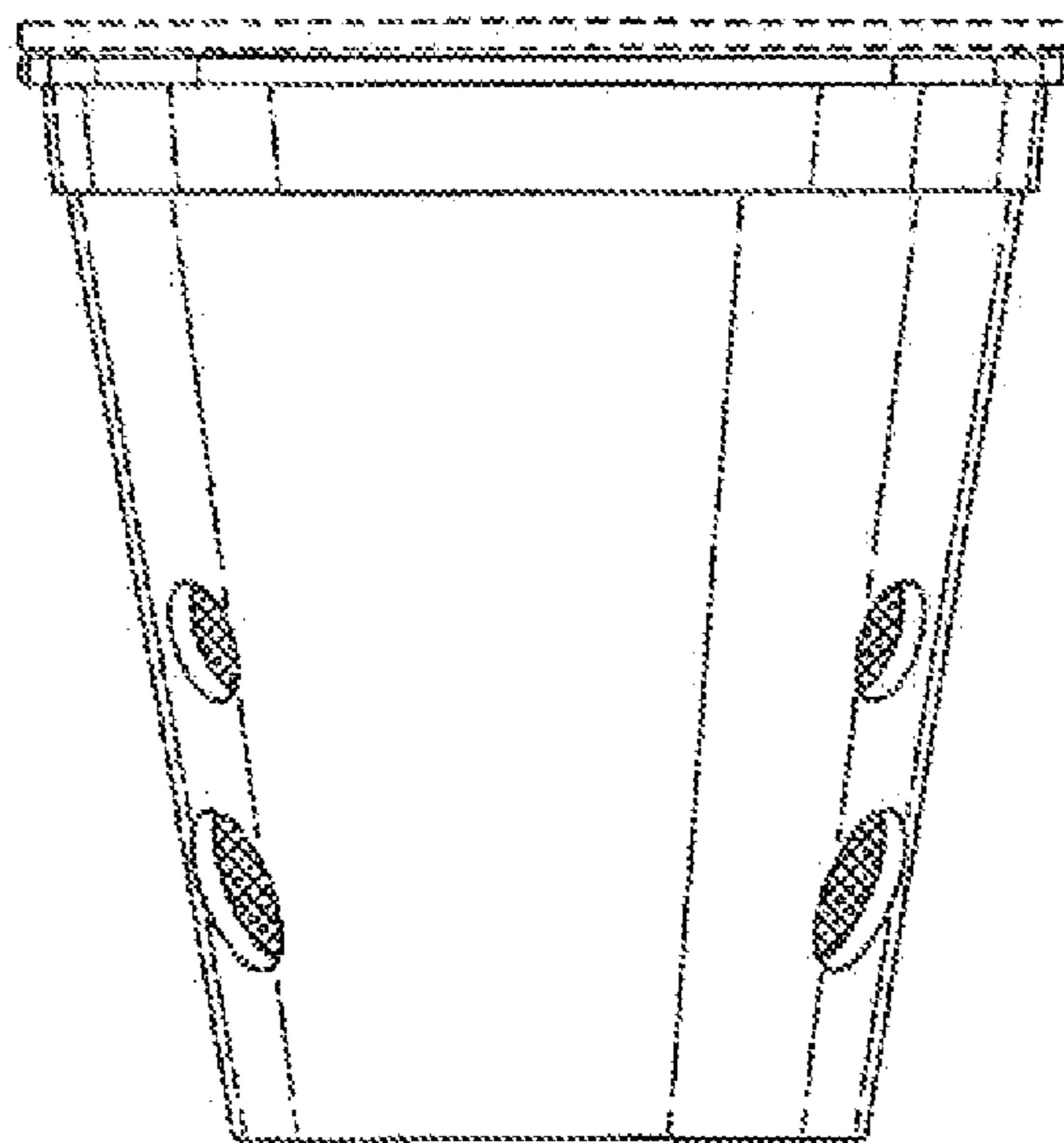


FIG. 6

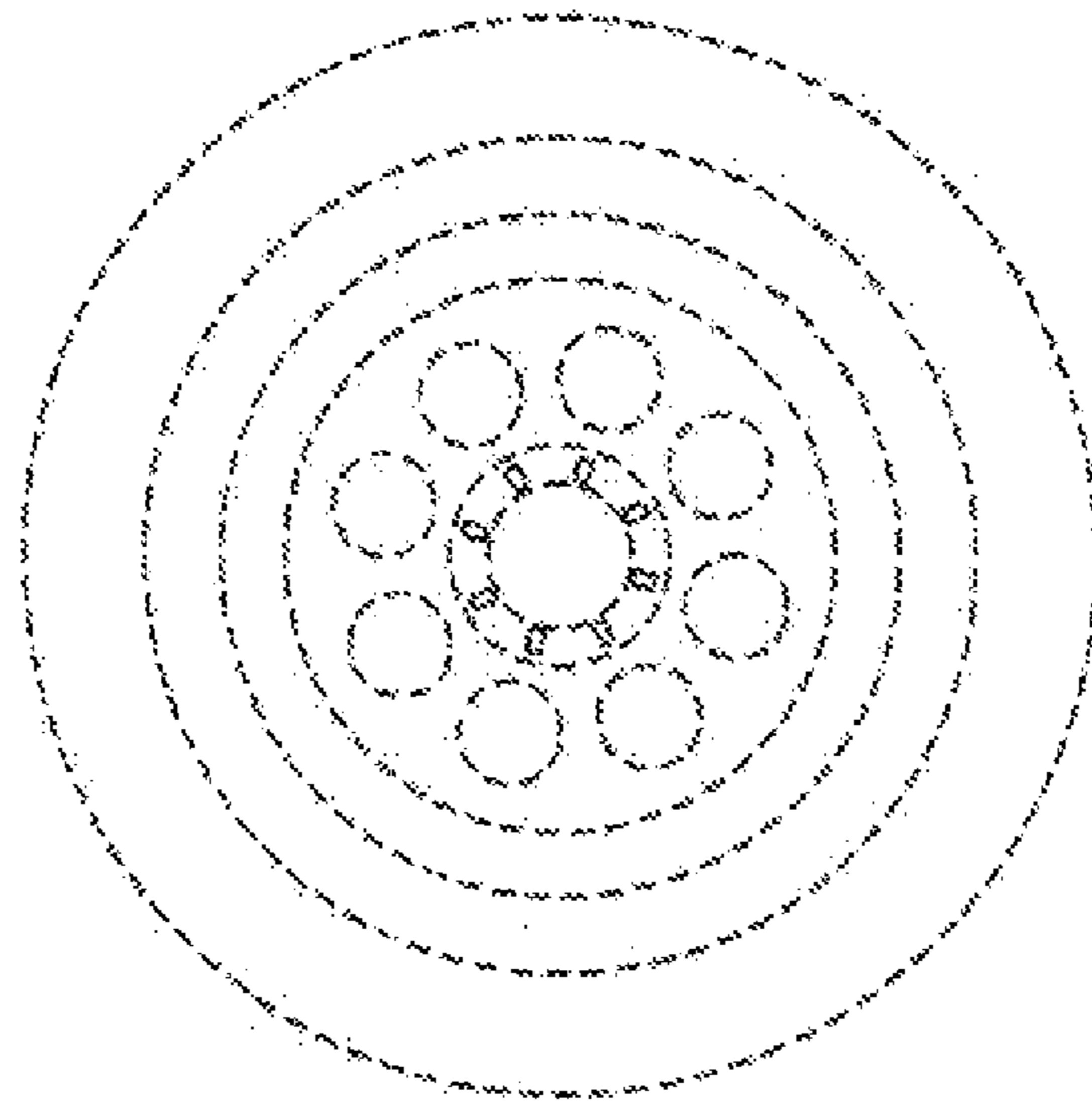


FIG. 7

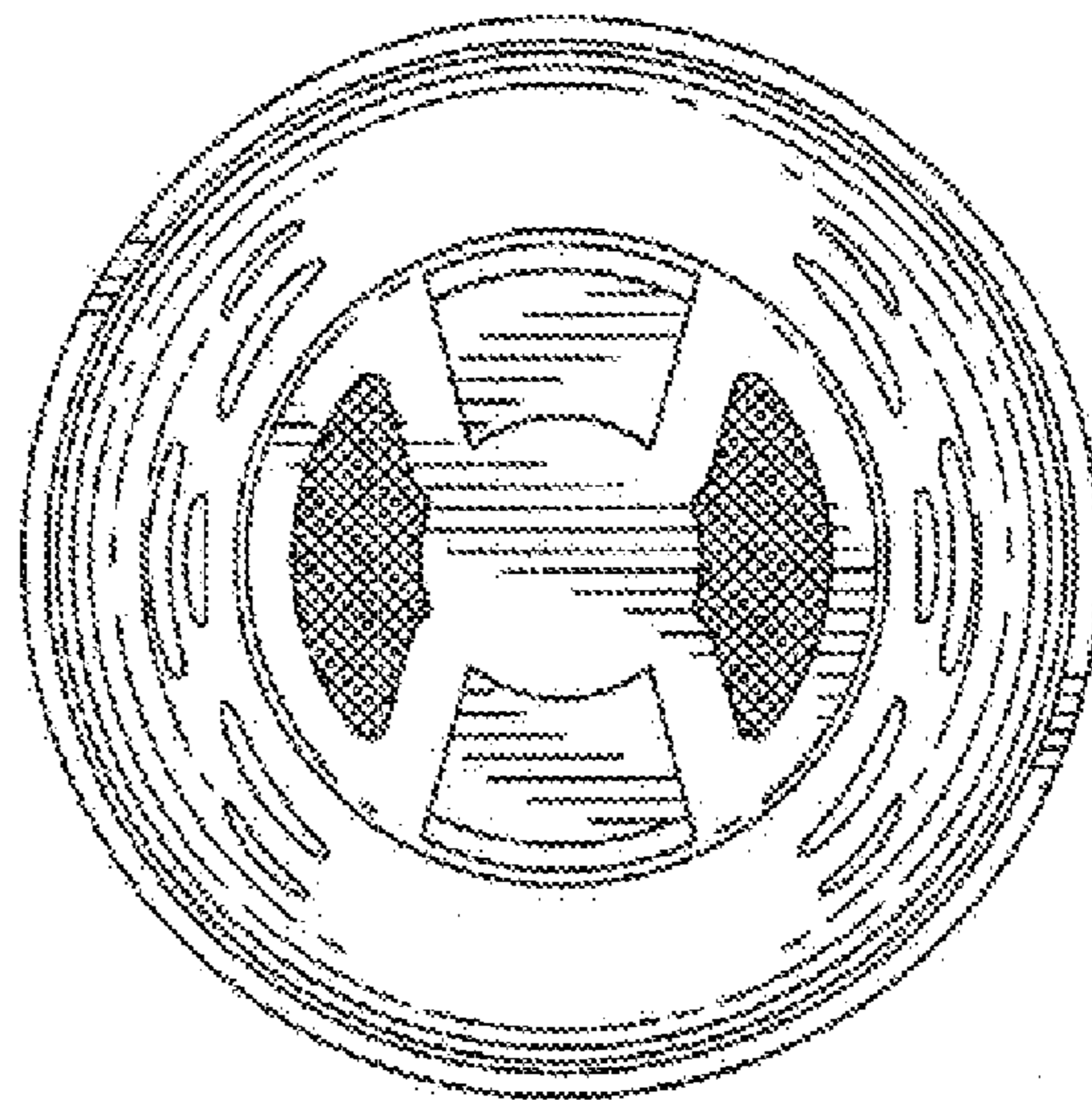


FIG. 8

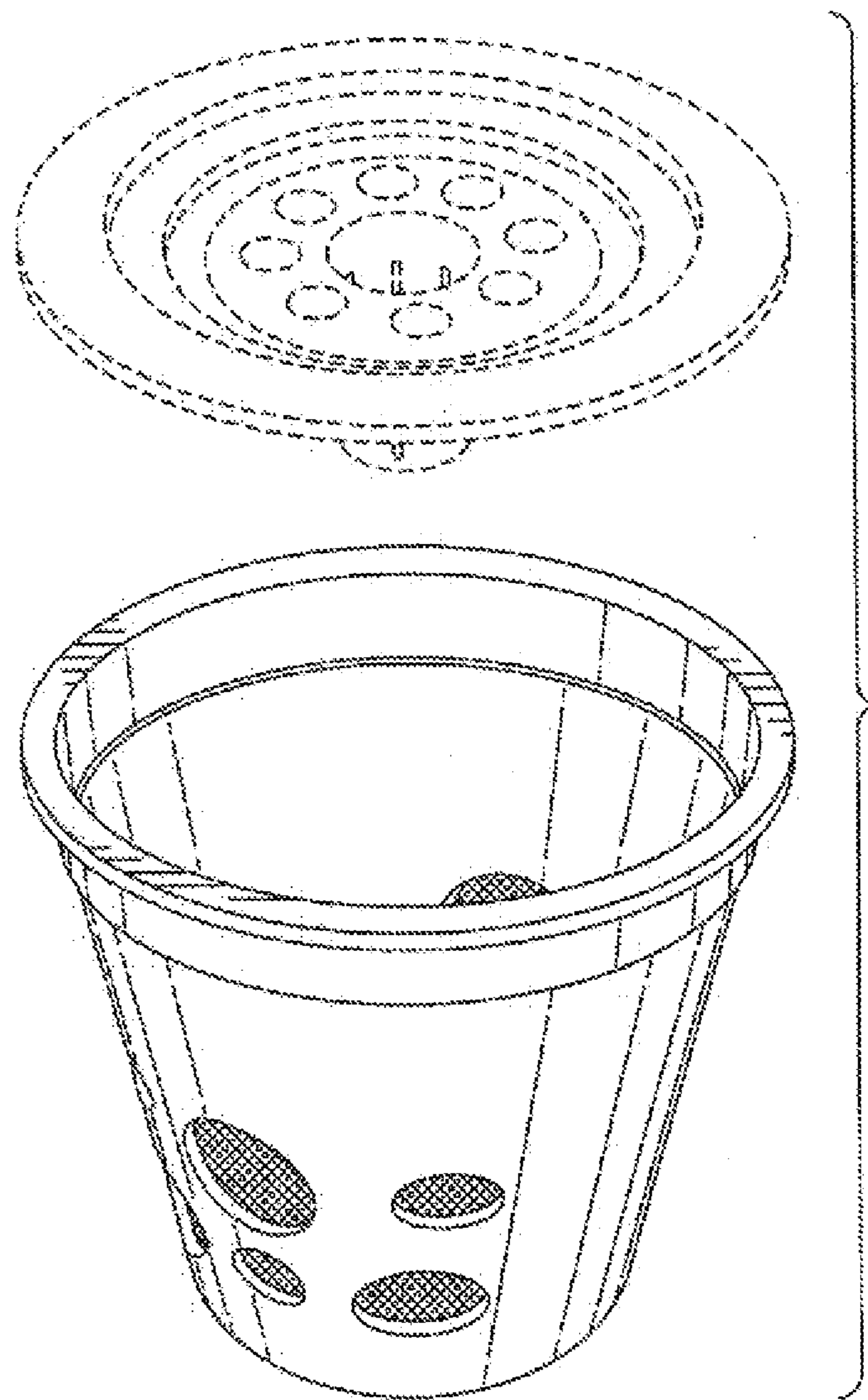


FIG. 9