



US00D757491S

(12) **United States Design Patent**  
**Ertur et al.**

(10) **Patent No.:** **US D757,491 S**  
(45) **Date of Patent:** **\*\* May 31, 2016**

(54) **CONTAINER SUPPORT STRUCTURE**

(71) Applicant: **Sunbeam Products, Inc.**, Boca Raton, FL (US)

(72) Inventors: **David Ertur**, Boca Raton, FL (US);  
**Joongoo Lee**, Boston, MA (US); **Evan Gant**, Somerville, MA (US); **Nathan Careless**, Medford, MA (US)

(73) Assignee: **Sunbeam Products, Inc.**, Boca Raton, FL (US)

(\*\*) Term: **15 Years**

(21) Appl. No.: **29/530,236**

(22) Filed: **Jun. 15, 2015**

(51) **LOC (10) Cl.** ..... **07-99**

(52) **U.S. Cl.**  
USPC ..... **D7/400; D7/399; D7/397**

(58) **Field of Classification Search**  
USPC ..... D7/306-311, 305, 300, 397, 398, 399,  
D7/400; 99/279, 284, 290, 280, 299, 307,  
99/297, 295, 323  
CPC ..... A47J 31/44; A47J 31/00; A47J 31/46;  
A47J 31/10; B65D 81/3266

See application file for complete search history.

(56) **References Cited**

**U.S. PATENT DOCUMENTS**

D275,926 S \* 10/1984 Corona ..... D30/133  
D339,028 S \* 9/1993 Bannigan ..... D7/399  
5,865,095 A \* 2/1999 Mulle ..... A47J 31/0573  
99/286  
D455,607 S \* 4/2002 Johnson ..... D7/387

D521,329 S \* 5/2006 Bodum ..... D7/400  
7,469,628 B2 \* 12/2008 Mandralis ..... A47J 31/4467  
99/279  
D614,444 S \* 4/2010 Struzka ..... D7/399  
D623,894 S \* 9/2010 Jacquet ..... D7/399  
D628,852 S \* 12/2010 Struzka ..... D7/399  
D666,456 S \* 9/2012 Struzka ..... D7/399  
D707,490 S \* 6/2014 Hertaus ..... D7/397  
D711,190 S \* 8/2014 Otto ..... D7/399  
8,978,543 B2 \* 3/2015 Baldo ..... A47J 31/0668  
99/280  
9,028,900 B2 \* 5/2015 Larzul ..... A47J 31/3633  
426/425  
D746,105 S \* 12/2015 de Neufville ..... D7/399  
2014/0318378 A1 \* 10/2014 Ertur ..... B65D 25/04  
99/295

\* cited by examiner

*Primary Examiner* — Marianne Pandozzi

(74) *Attorney, Agent, or Firm* — Seth M. Blum

(57) **CLAIM**

The ornamental design for a container support structure, as shown and described.

**DESCRIPTION**

FIG. 1 is a front perspective view of a container support structure showing our new design;  
FIG. 2 is a rear perspective view thereof;  
FIG. 3 is a front view thereof;  
FIG. 4 is a rear view thereof;  
FIG. 5 is a right side view thereof;  
FIG. 6 is a left side view thereof;  
FIG. 7 is a top plan view thereof; and,  
FIG. 8 is a bottom plan view thereof.  
The broken lines depict portions of the container support structure that forms no part of the claimed design.

**1 Claim, 3 Drawing Sheets**

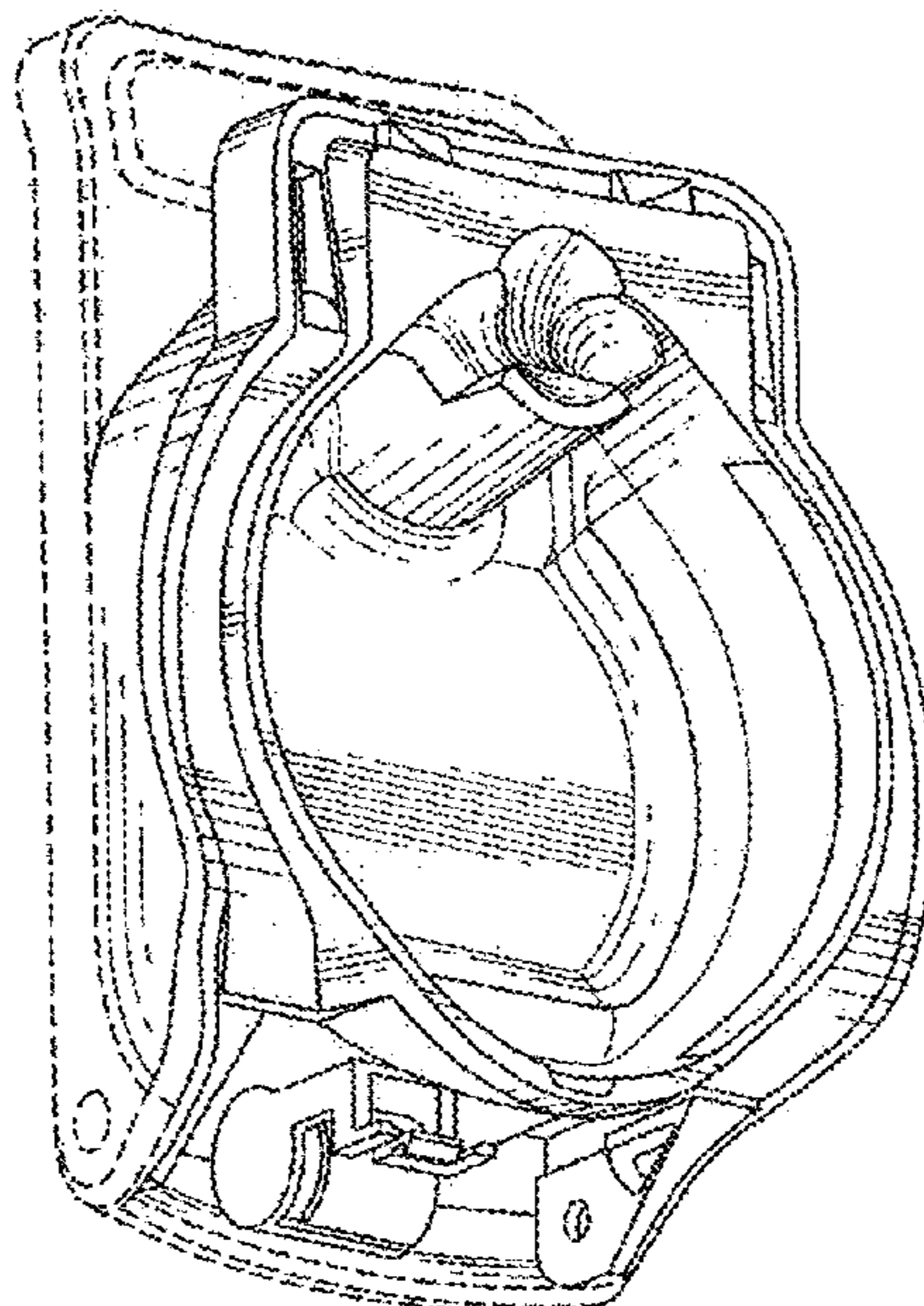


FIG. 1

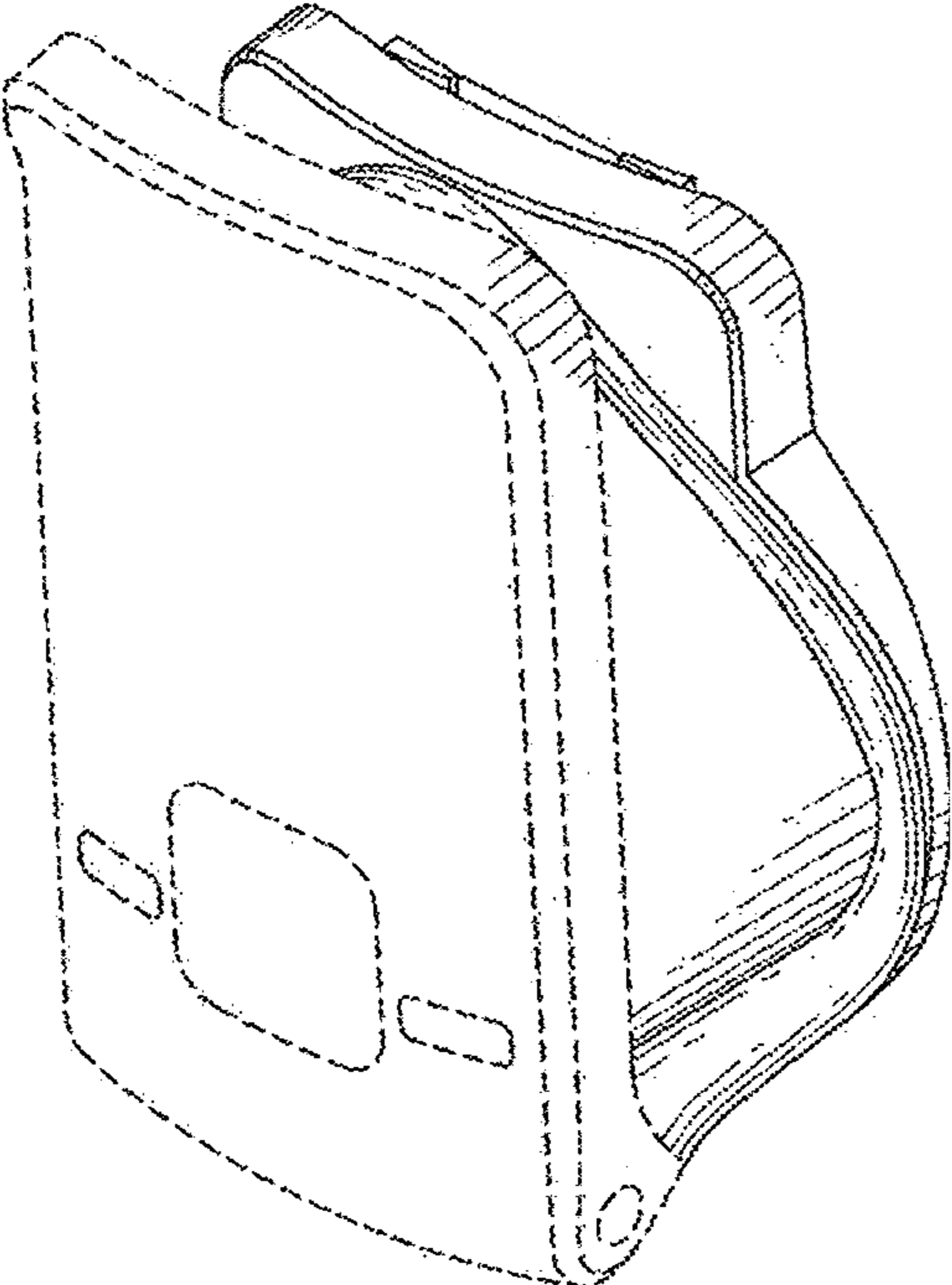


FIG. 2

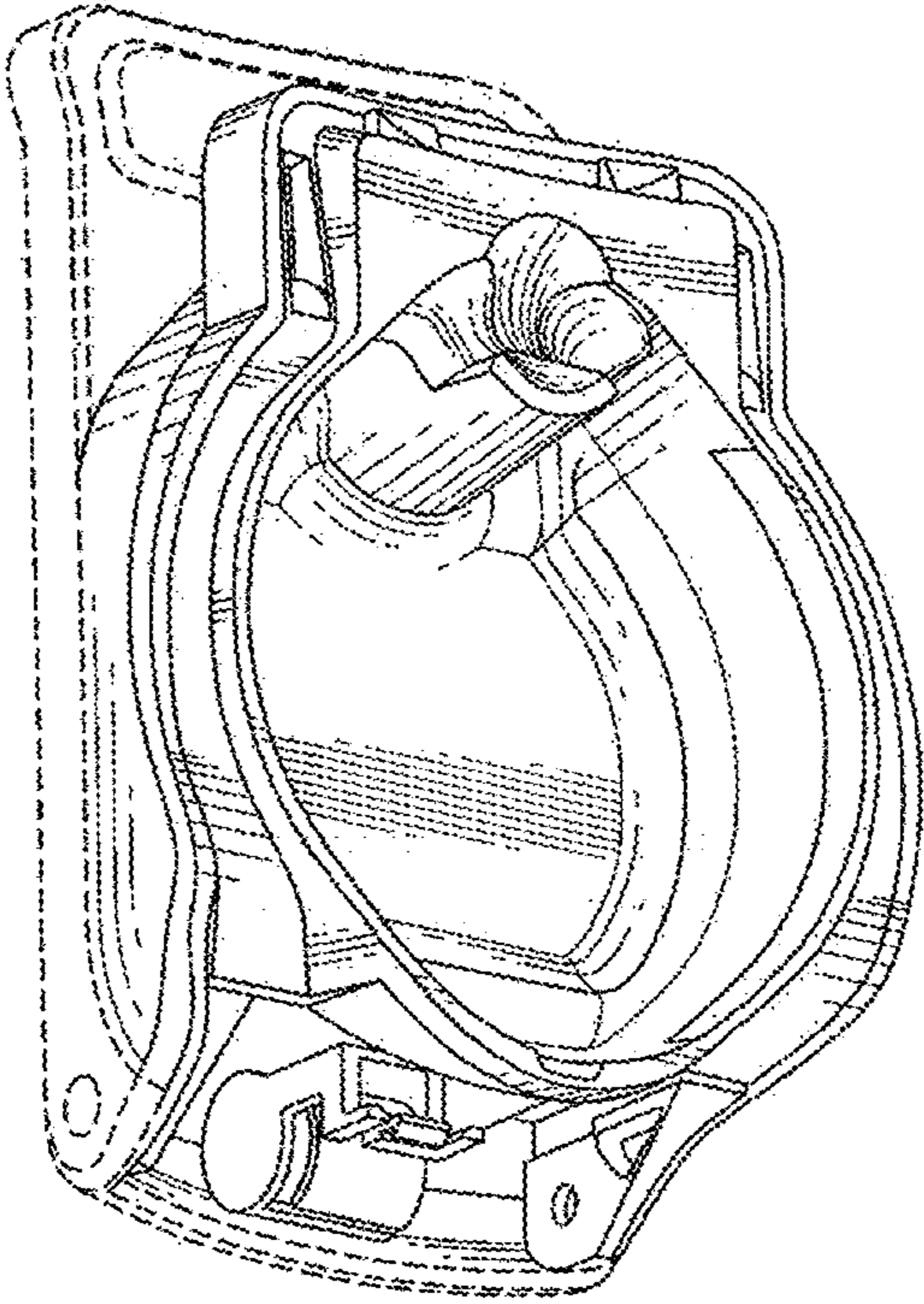


FIG. 3

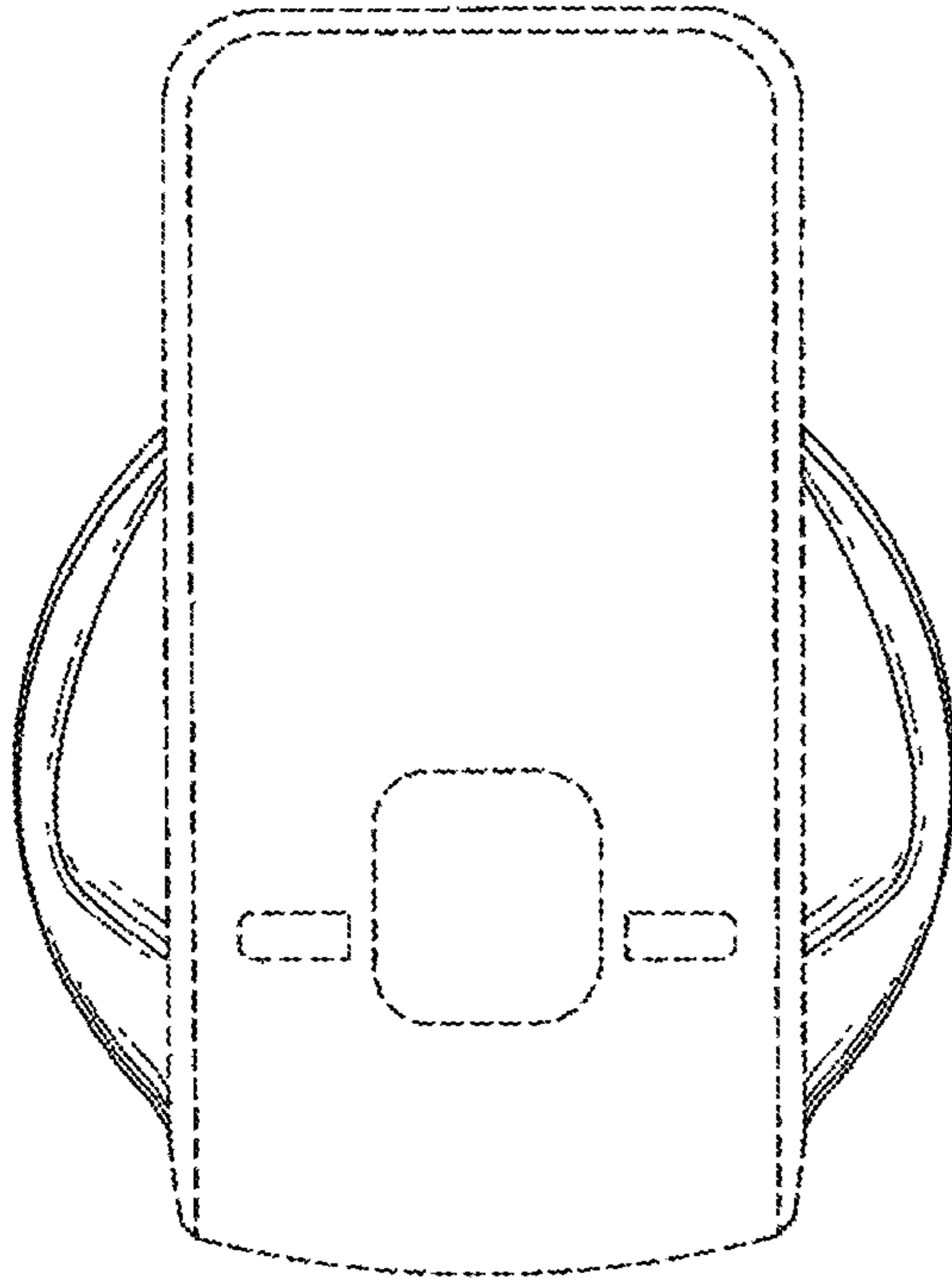


FIG. 4

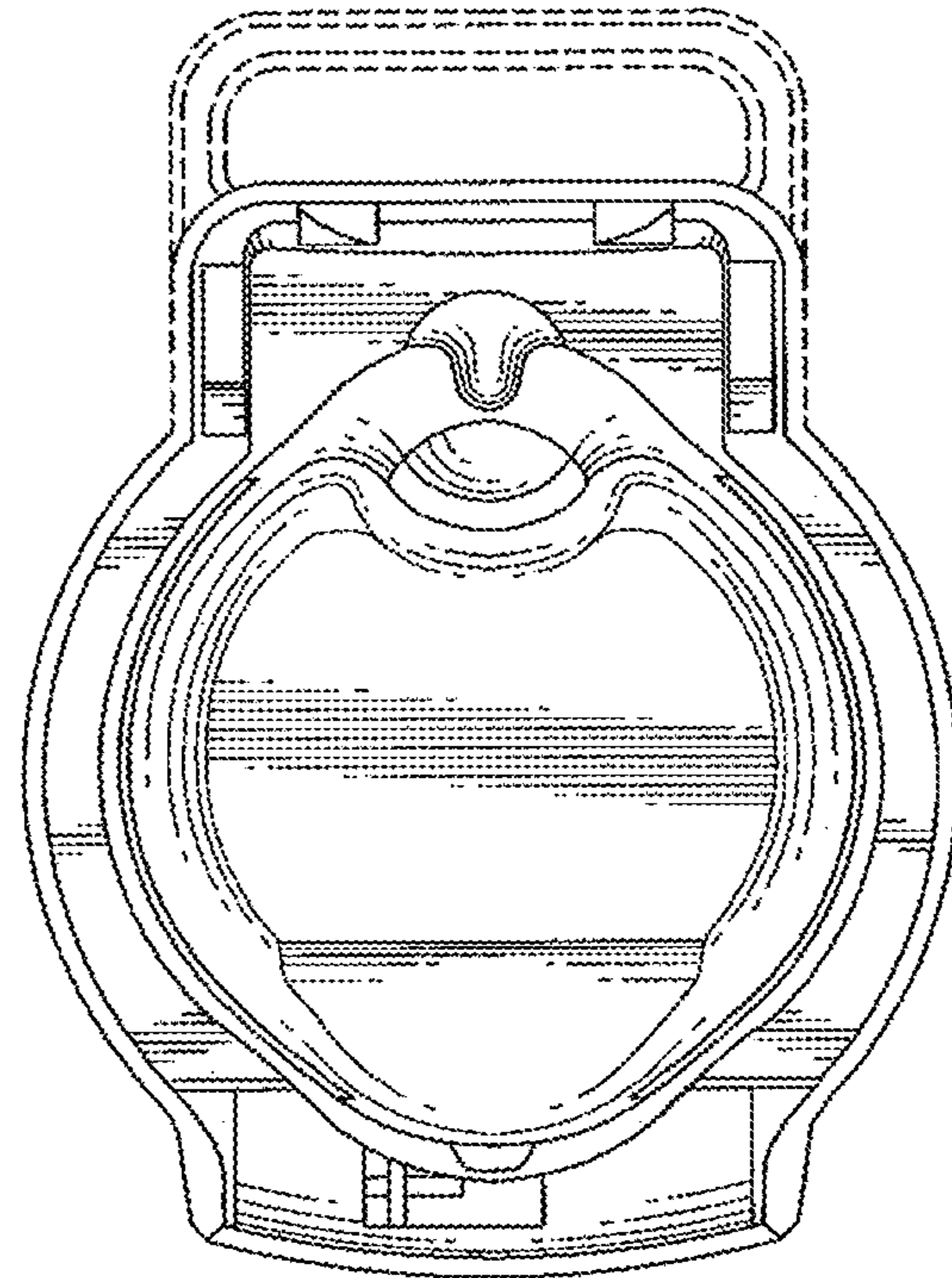


FIG. 5

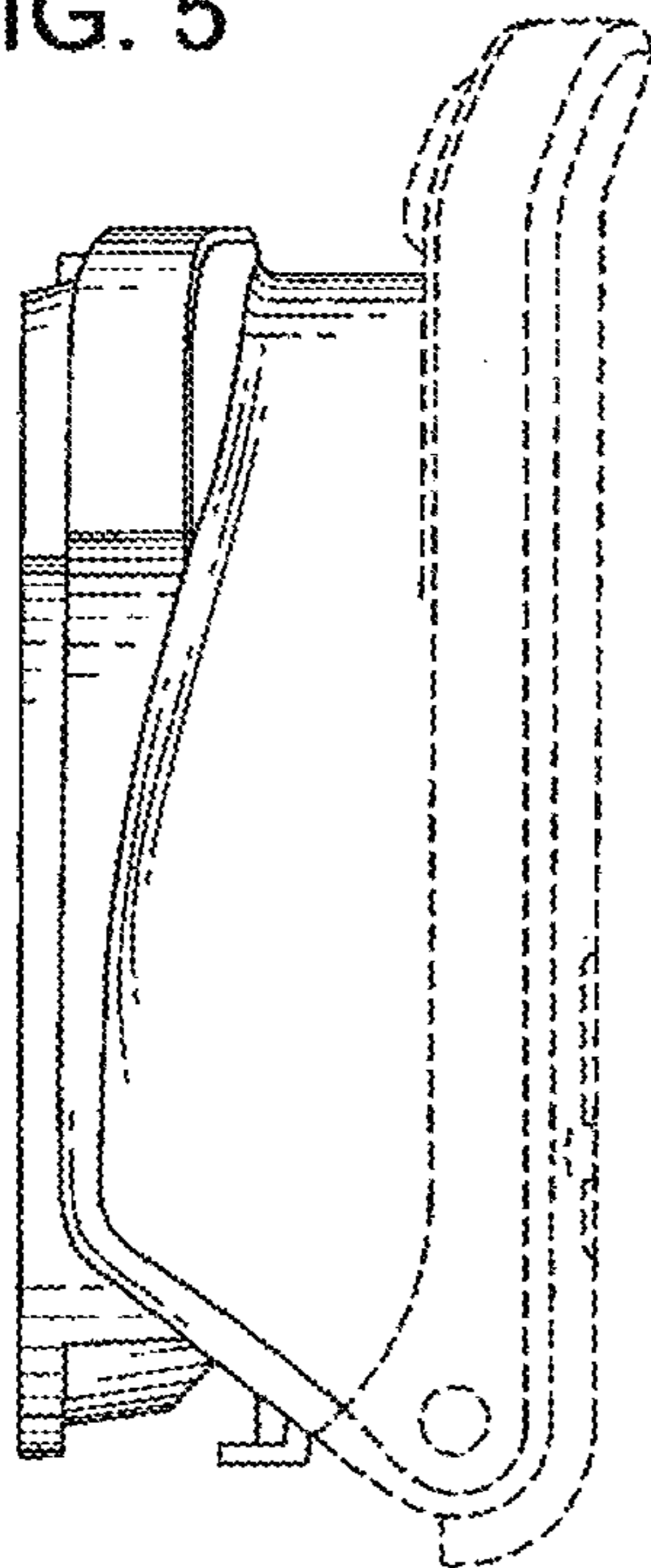


FIG. 6

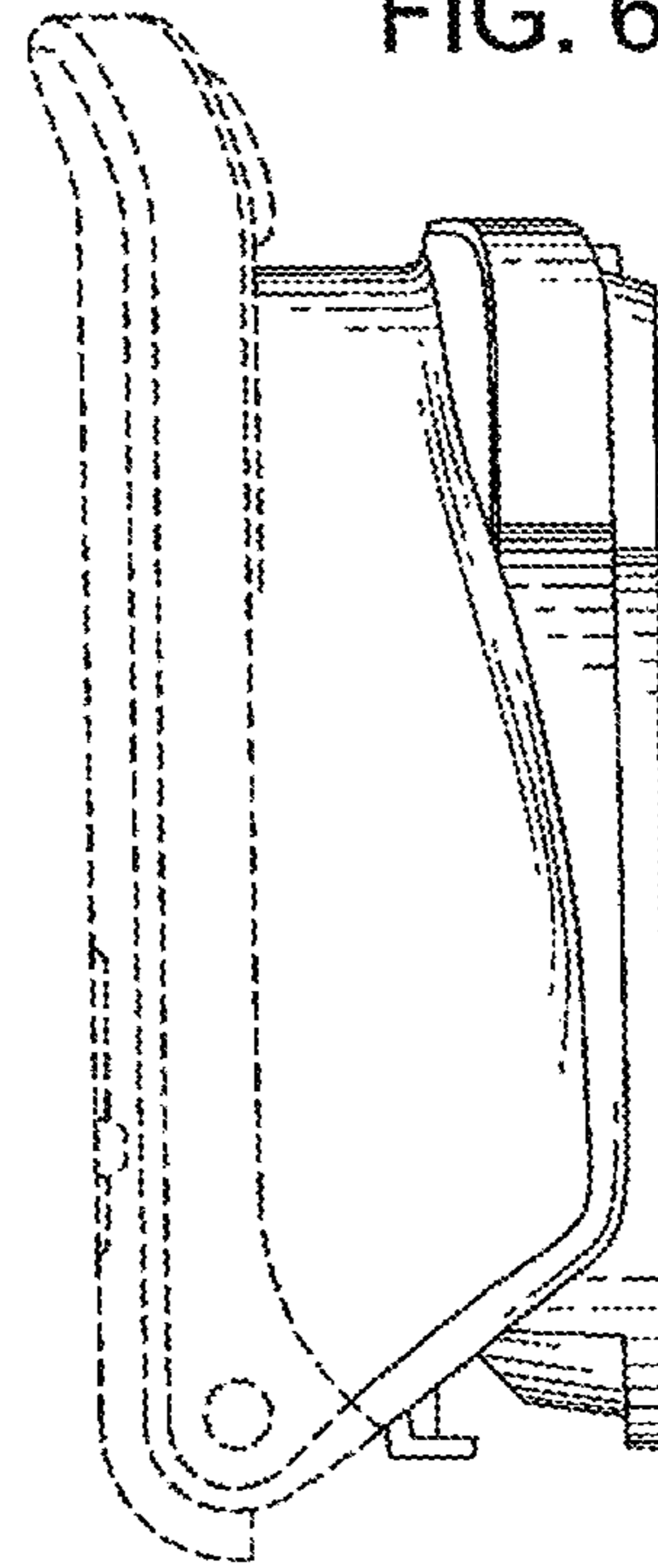


FIG. 7

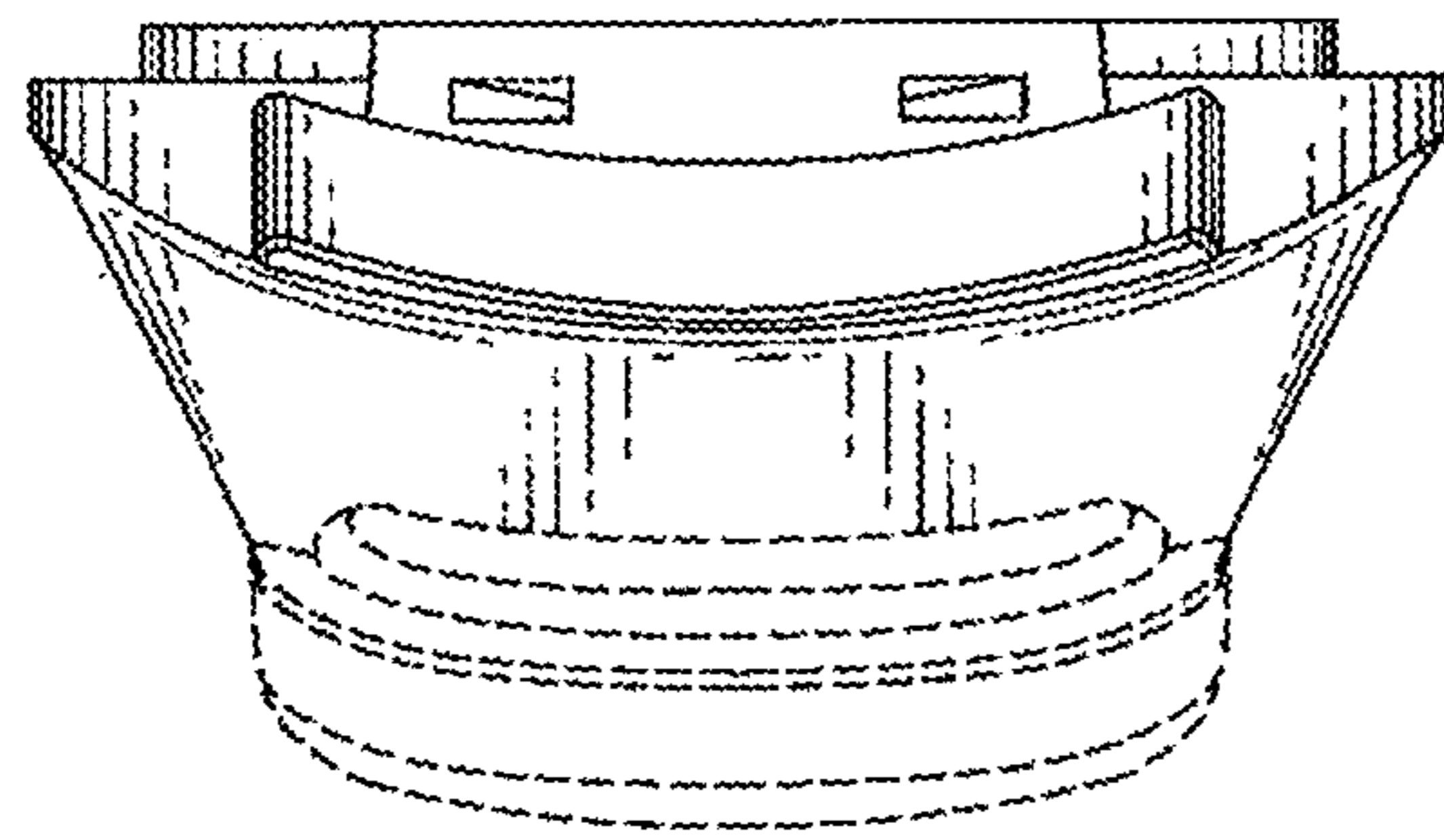


FIG. 8

