



US00D757489S

(12) **United States Design Patent**
Connors

(10) **Patent No.:** **US D757,489 S**
(45) **Date of Patent:** **** May 31, 2016**

(54) **GAS DIFFUSION APPARATUS**

FOREIGN PATENT DOCUMENTS

(71) Applicant: **Robert W. Connors**, Lake Barrington,
IL (US)

DE 29604406 10/1996
EP 2279786 2/2011
GB 712325 7/1954

(72) Inventor: **Robert W. Connors**, Lake Barrington,
IL (US)

OTHER PUBLICATIONS

(**) Term: **14 Years**

International Search Report for PCT Application PCT/US2013/
039109 mailed May 1, 2013. 6 pages.

(21) Appl. No.: **29/471,444**

* cited by examiner

(22) Filed: **Oct. 31, 2013**

Primary Examiner — Susan Bennett Hattan

(51) **LOC (10) Cl.** **07-01**

Assistant Examiner — Brett Miller

(52) **U.S. Cl.**
USPC **D7/397**

(74) *Attorney, Agent, or Firm* — K & L Gates LLP

(58) **Field of Classification Search**
USPC D7/396.2, 387, 392–393, 396.3, 401.1,
D7/397; 261/116, 76

(57) **CLAIM**

I claim the ornamental design for the gas diffusion apparatus,
as illustrated and described.

See application file for complete search history.

DESCRIPTION

(56) **References Cited**

U.S. PATENT DOCUMENTS

2,408,306	A	9/1946	Flournoy	
4,115,500	A	9/1978	Voegeli	
D326,503	S *	5/1992	Ipsen	D23/233
D555,974	S *	11/2007	Miller	D7/397
D659,465	S *	5/2012	Burns	D7/392.1
D660,077	S *	5/2012	Burns	D7/392.1
D682,691	S *	5/2013	Hewitt et al.	D9/439
D701,080	S *	3/2014	Mills et al.	D7/397
D701,081	S *	3/2014	Mills et al.	D7/397
D705,004	S *	5/2014	Mills et al.	D7/397
8,727,324	B2 *	5/2014	Borden et al.	261/76
D712,199	S *	9/2014	Borden et al.	D7/397
2011/0297006	A1	12/2011	Belcher	
2014/0035172	A1 *	2/2014	Connors	261/30
2014/0130681	A1 *	5/2014	Castanon Delgado	99/323.1
2014/0246794	A1 *	9/2014	Borden et al.	261/116

This application claims priority to and the benefit of U.S. patent application Ser. No. 13/875,012, filed May 1, 2013, entitled, "Gas Diffusion Apparatus for Liquid Aeration and Carbonated Liquids".

FIG. 1 is a front perspective view of a gas diffusion apparatus for liquid aeration of the present disclosure;

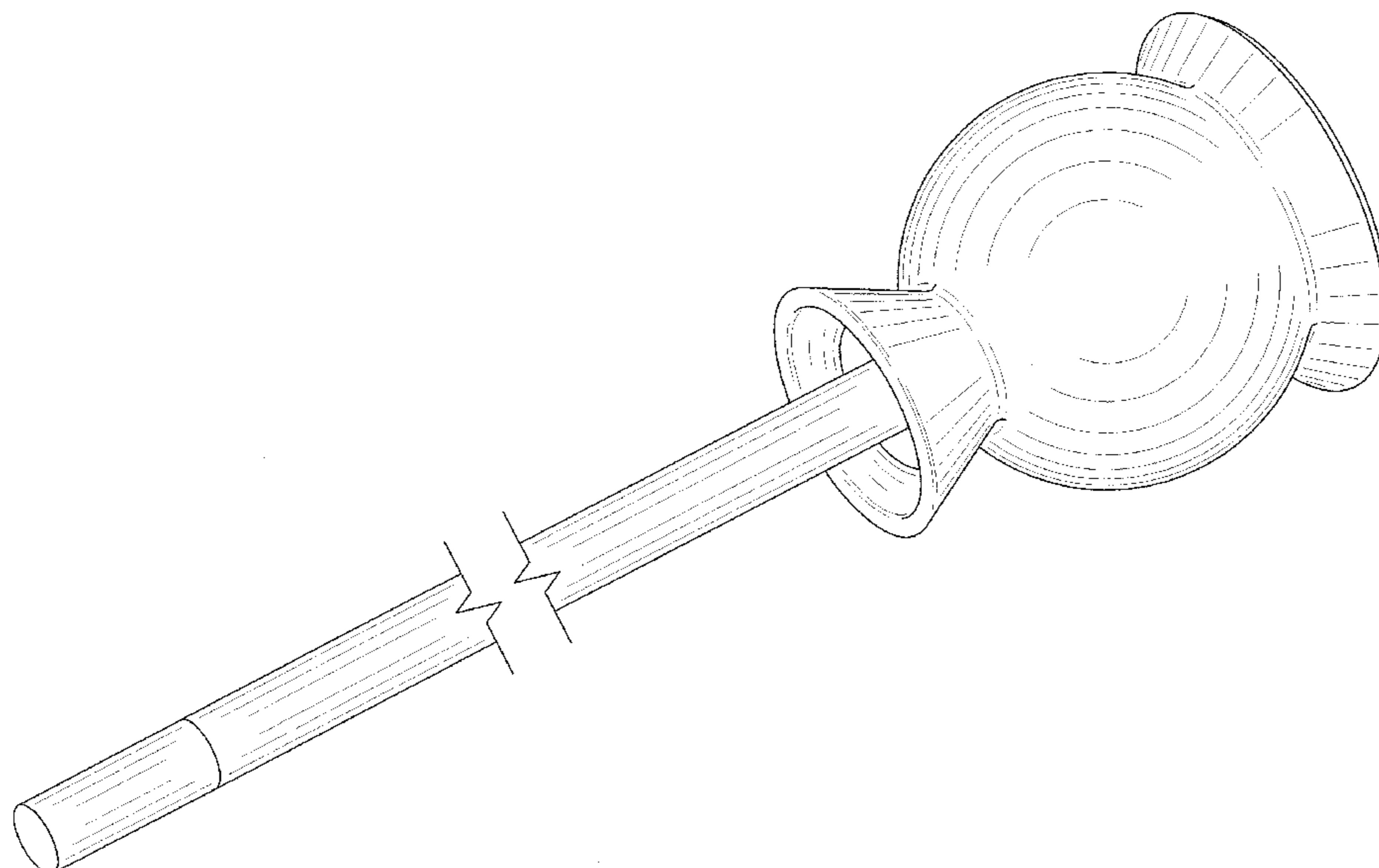
FIG. 2 is a front view thereof;

FIG. 3 is a top view thereof; and,

FIG. 4 is a bottom view thereof.

Any dashed lines in the drawings depict portions of the gas diffusion apparatus that form no part of the claimed design. The gas diffusion apparatus is illustrated with symbolic break lines. The appearance of any portion of the article between the break lines forms no part of the claimed design.

1 Claim, 2 Drawing Sheets



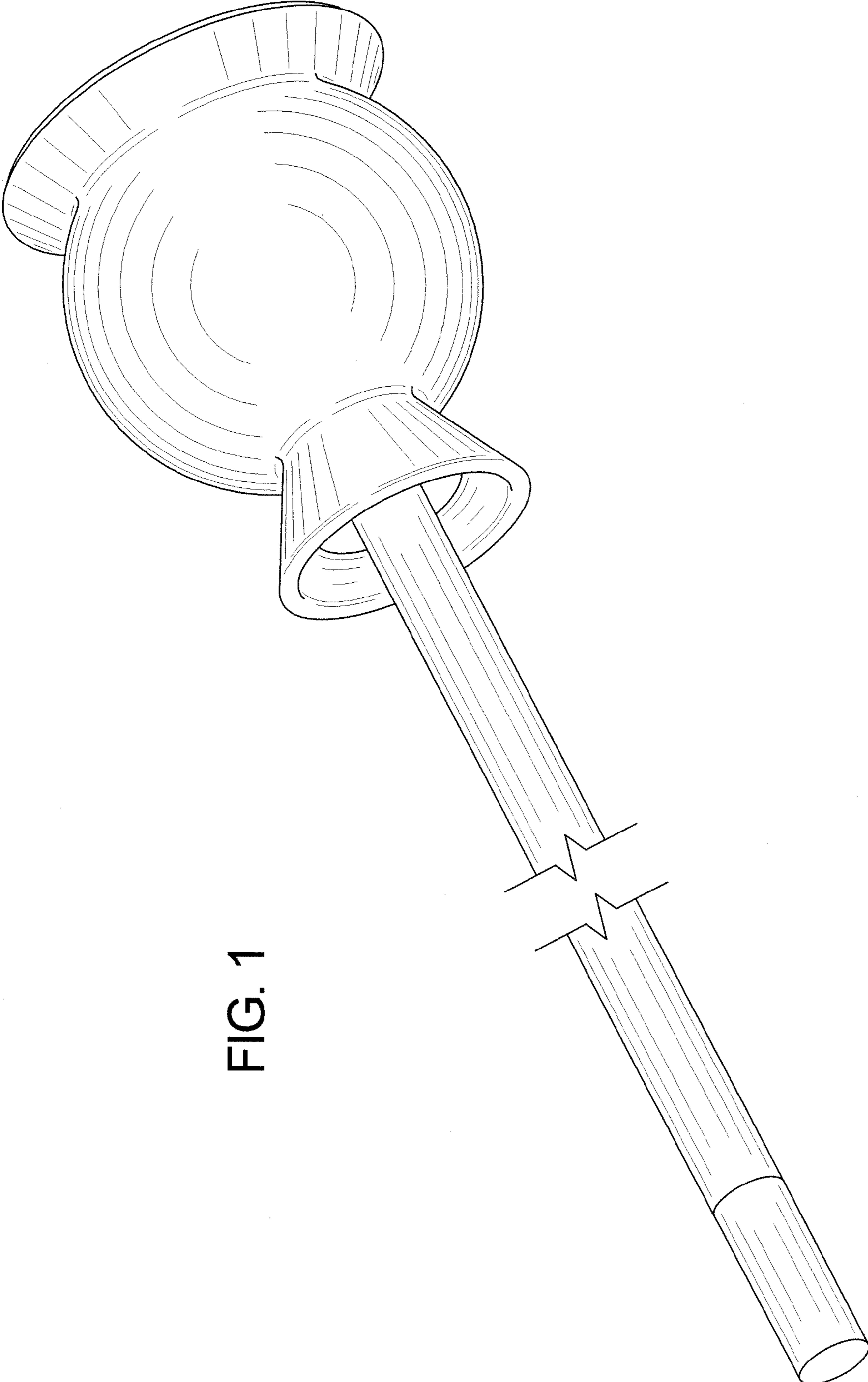


FIG. 1

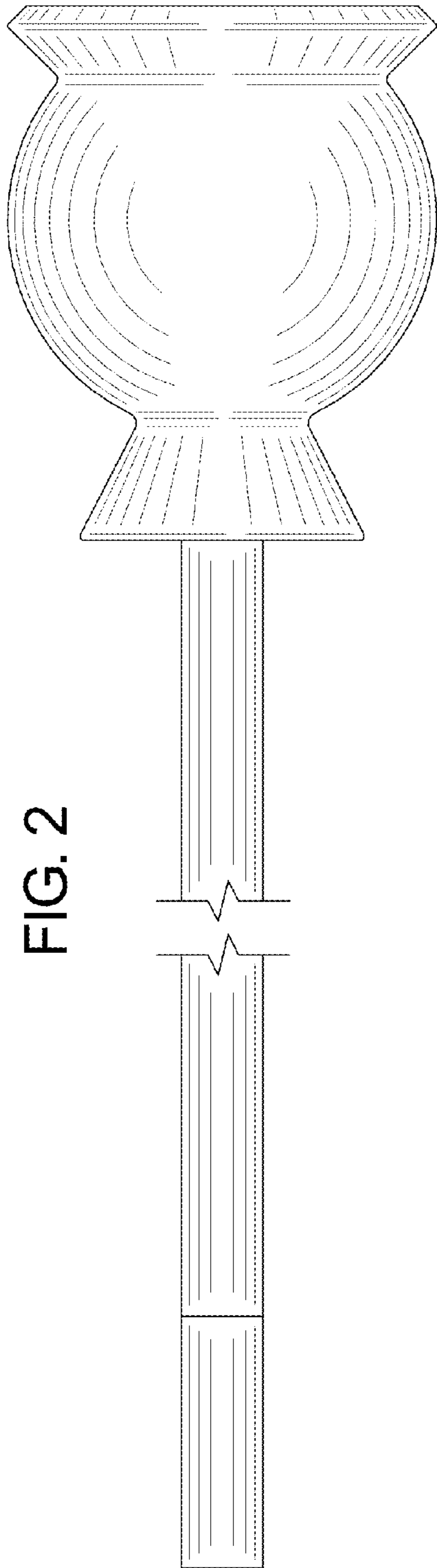


FIG. 4

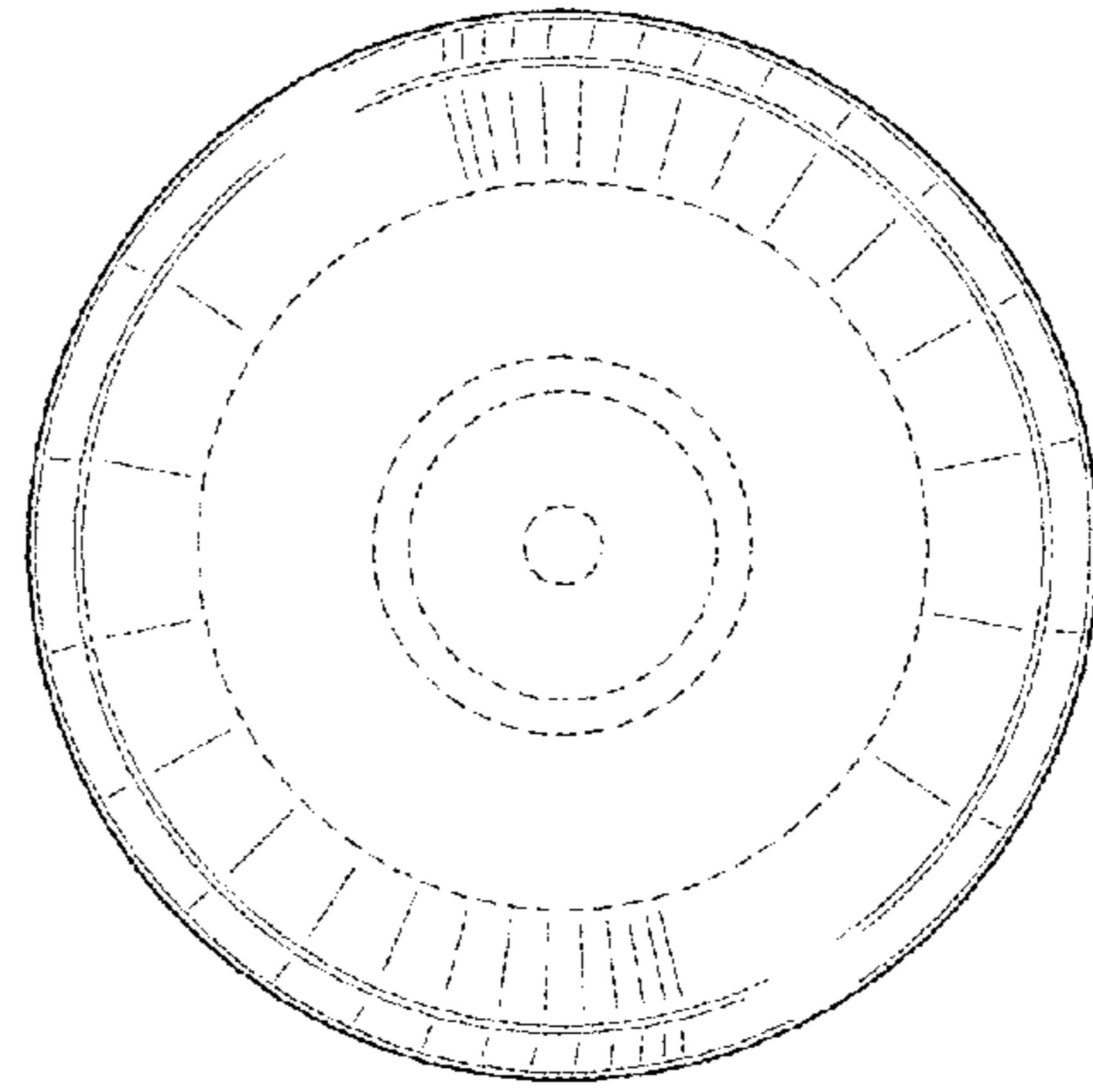


FIG. 3

