



US00D757487S

(12) **United States Design Patent**
McConnell et al.

(10) **Patent No.:** **US D757,487 S**
(45) **Date of Patent:** **** May 31, 2016**

(54) **COOKWARE ARTICLE WITH HANDLE**

(71) Applicant: **Whirlpool Corporation**, Benton Harbor, MI (US)

(72) Inventors: **John W. McConnell**, St. Joseph, MI (US); **Wenkai Wu**, Aurora, IL (US)

(73) Assignee: **Whirlpool Corporation**, Benton Harbor, MI (US)

(**) Term: **14 Years**

(21) Appl. No.: **29/517,600**

(22) Filed: **Feb. 13, 2015**

(51) **LOC (10) Cl.** **07-02**

(52) **U.S. Cl.**
USPC **D7/395**

(58) **Field of Classification Search**
USPC D7/354-361, 393-395, 401.2, 664;
D8/107, 300, 303, 307, 313, 321;
D4/138, 129

CPC A47J 45/06; A47J 45/061; A47J 45/62;
A47J 45/08; A47J 45/085; A47J 45/071;
A47J 45/072; B65D 25/2802; B65D 25/2882;
B65D 25/2885; B65D 25/2888; B65D
25/2894; Y10S 220/912

See application file for complete search history.

(56) **References Cited**

U.S. PATENT DOCUMENTS

D567,579 S * 4/2008 Rae D7/395
D645,698 S * 9/2011 Rae D7/395
D667,691 S * 9/2012 Rae D7/395

D699,511 S * 2/2014 Rae D7/395
D705,001 S * 5/2014 Rae D7/395
D729,570 S * 5/2015 Barberi D7/395
D730,685 S * 6/2015 Barberi D7/395

* cited by examiner

Primary Examiner — Cynthia M Chin

(57) **CLAIM**

The ornamental design for a cookware article with handle, as shown and described.

DESCRIPTION

FIG. 1 is a front-bottom perspective view of a cookware article with handle according to a first embodiment of our design;

FIG. 2 is a right side view thereof;

FIG. 3 is a left side view thereof;

FIG. 4 is a bottom view thereof;

FIG. 5 is a top view thereof;

FIG. 6 is a top view thereof;

FIG. 7 is a back view thereof;

FIG. 8 is a front-bottom perspective view of a cookware article with handle according to a third embodiment of our design;

FIG. 9 is a right side view thereof;

FIG. 10 is a left side view thereof;

FIG. 11 is a bottom view thereof;

FIG. 12 is a top view thereof;

FIG. 13 is a top view thereof; and,

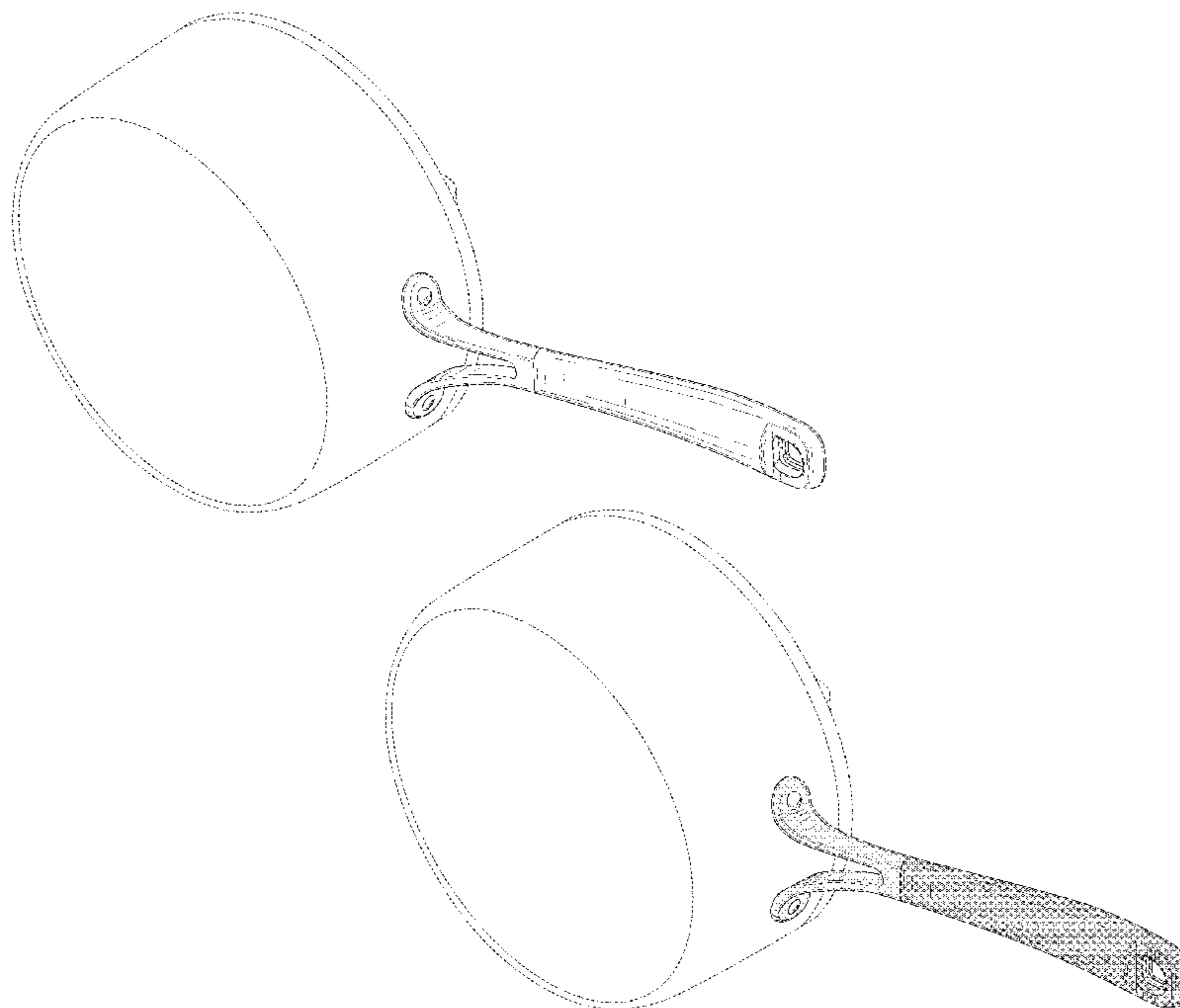
FIG. 14 is a bottom view thereof.

Broken lines are environmental only and form no part of the claimed design.

The light stipple fill in FIGS. 8-14 is used to indicate a metallic material.

FIGS. 8-14 are shaded to show a contrast in appearance.

1 Claim, 14 Drawing Sheets



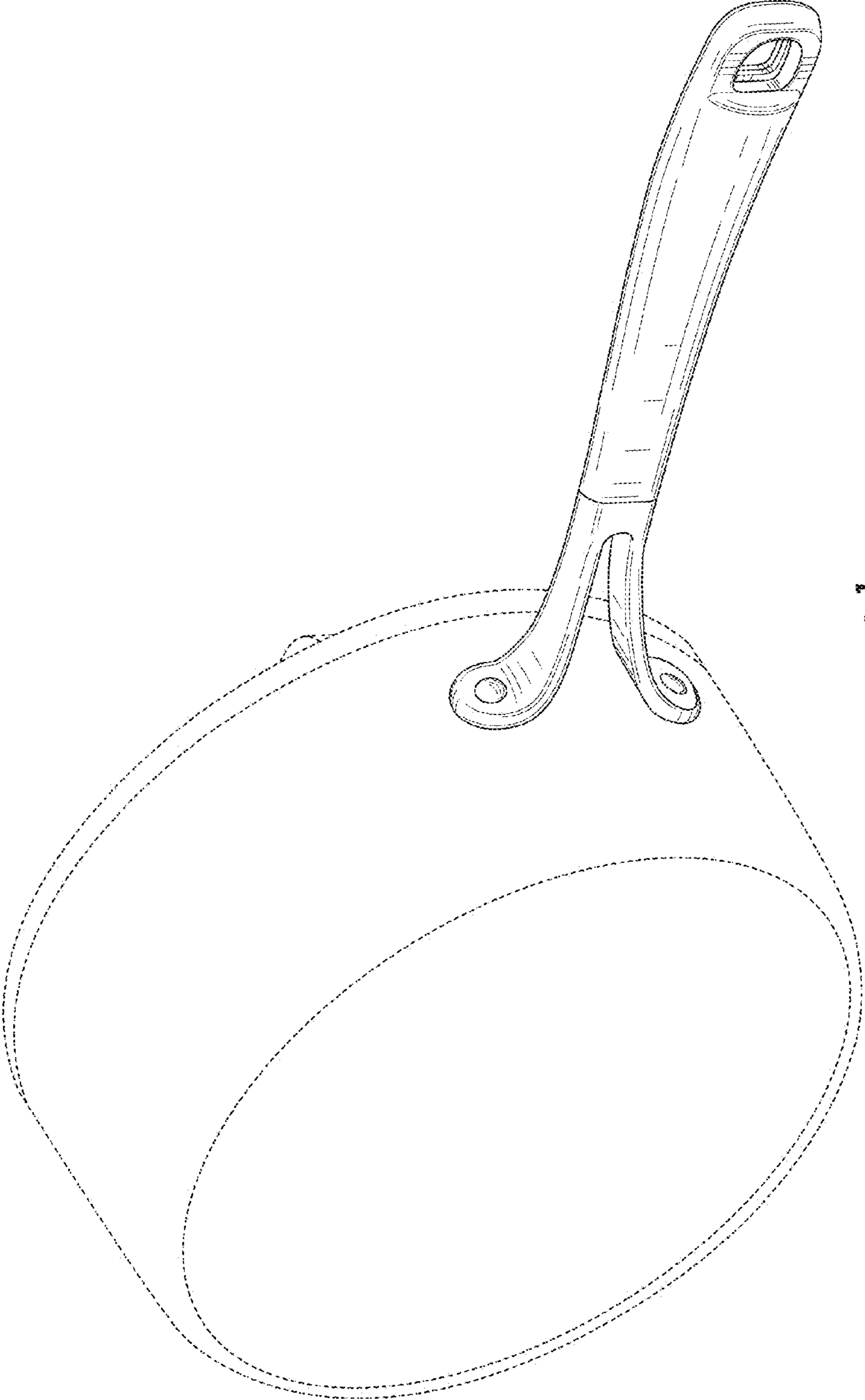


FIG. 1

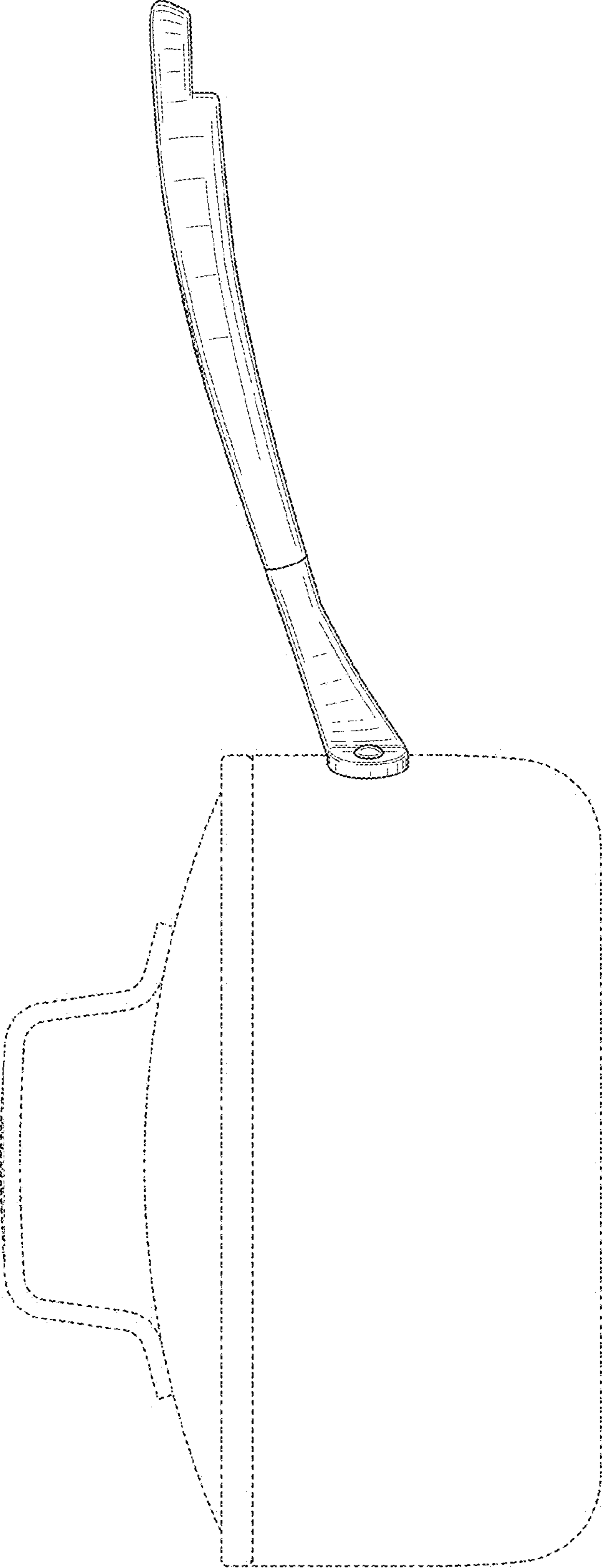


FIG. 2

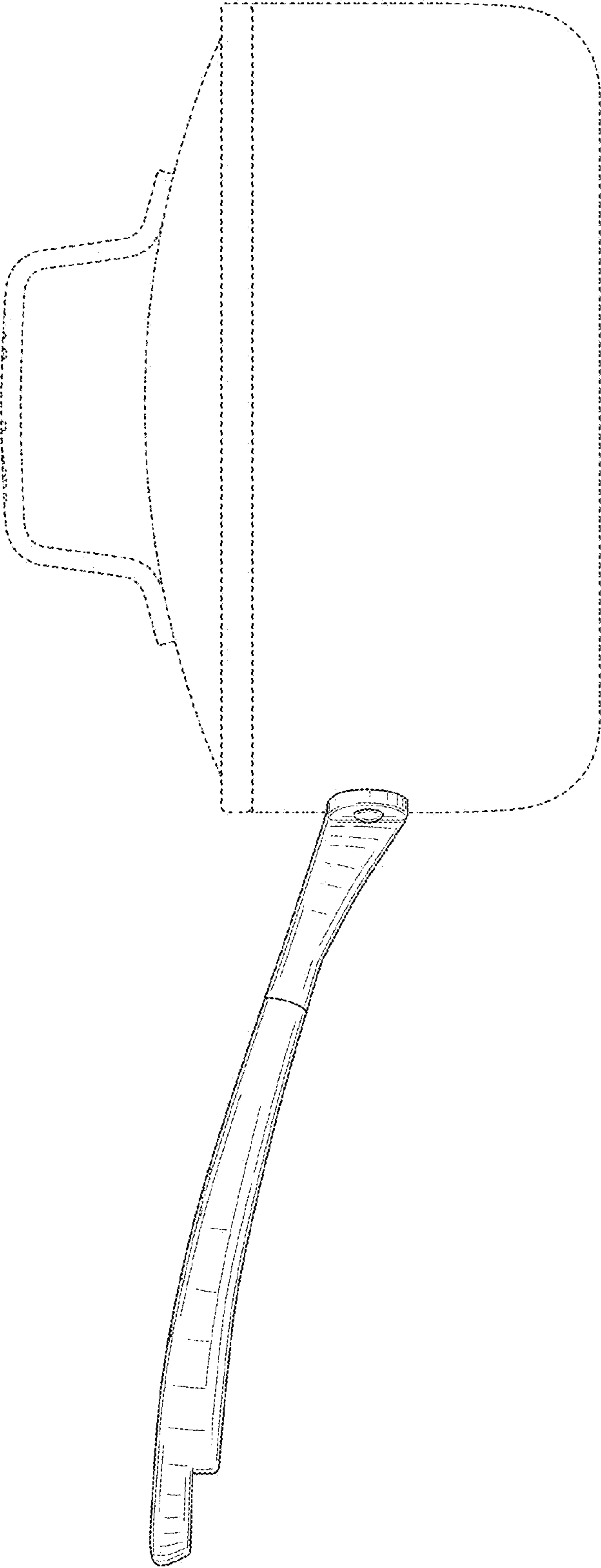


FIG. 3

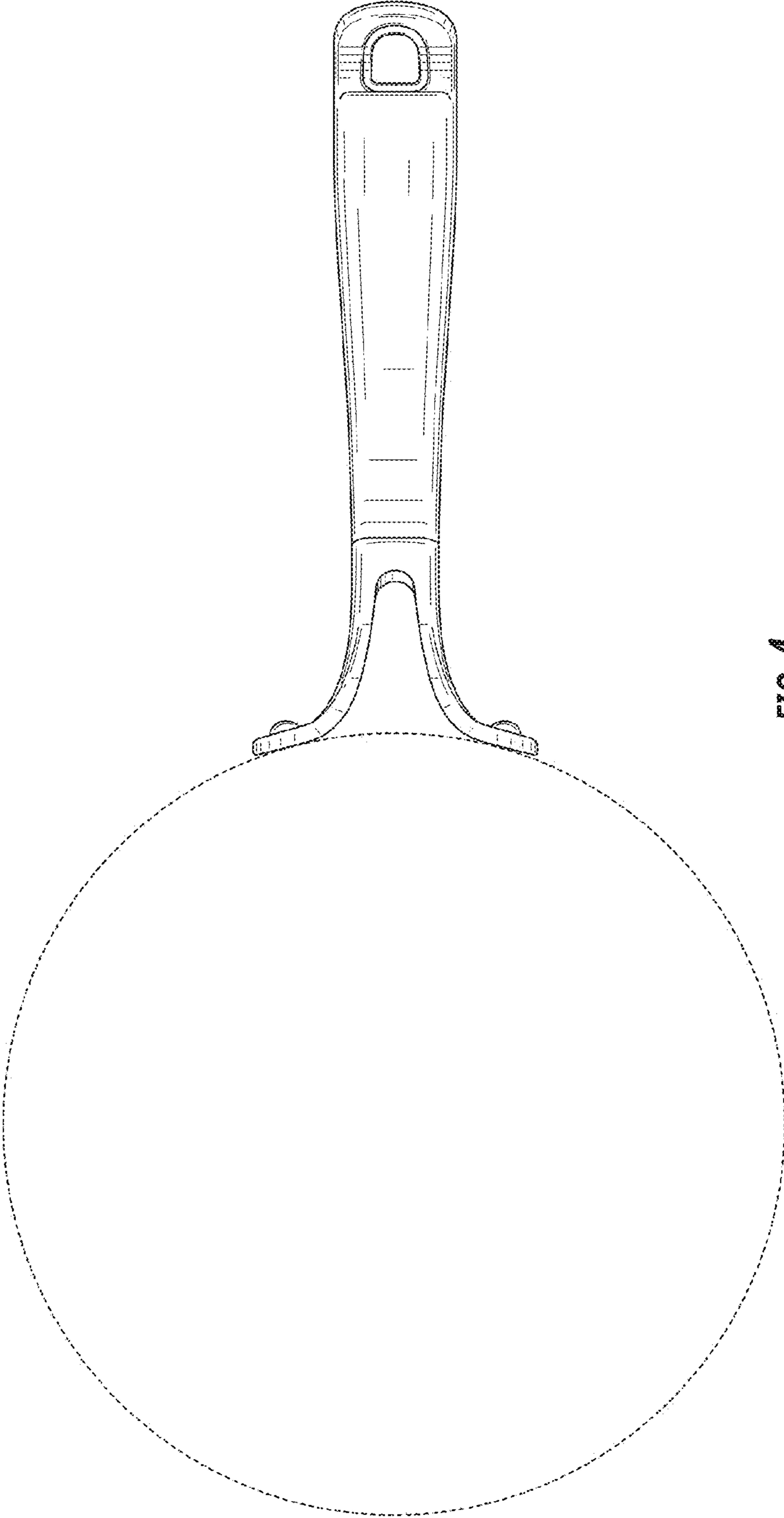


FIG. 4

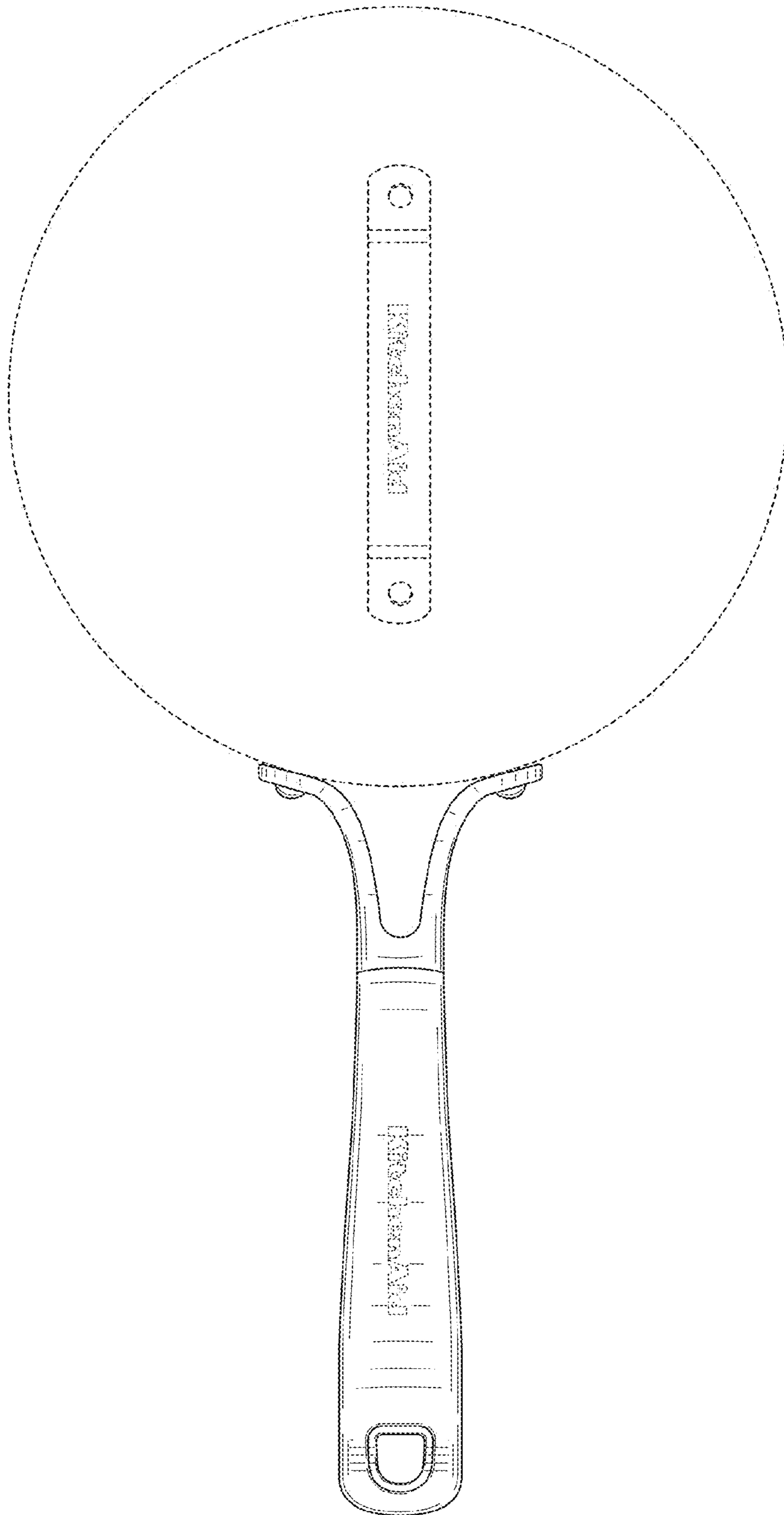


FIG. 5

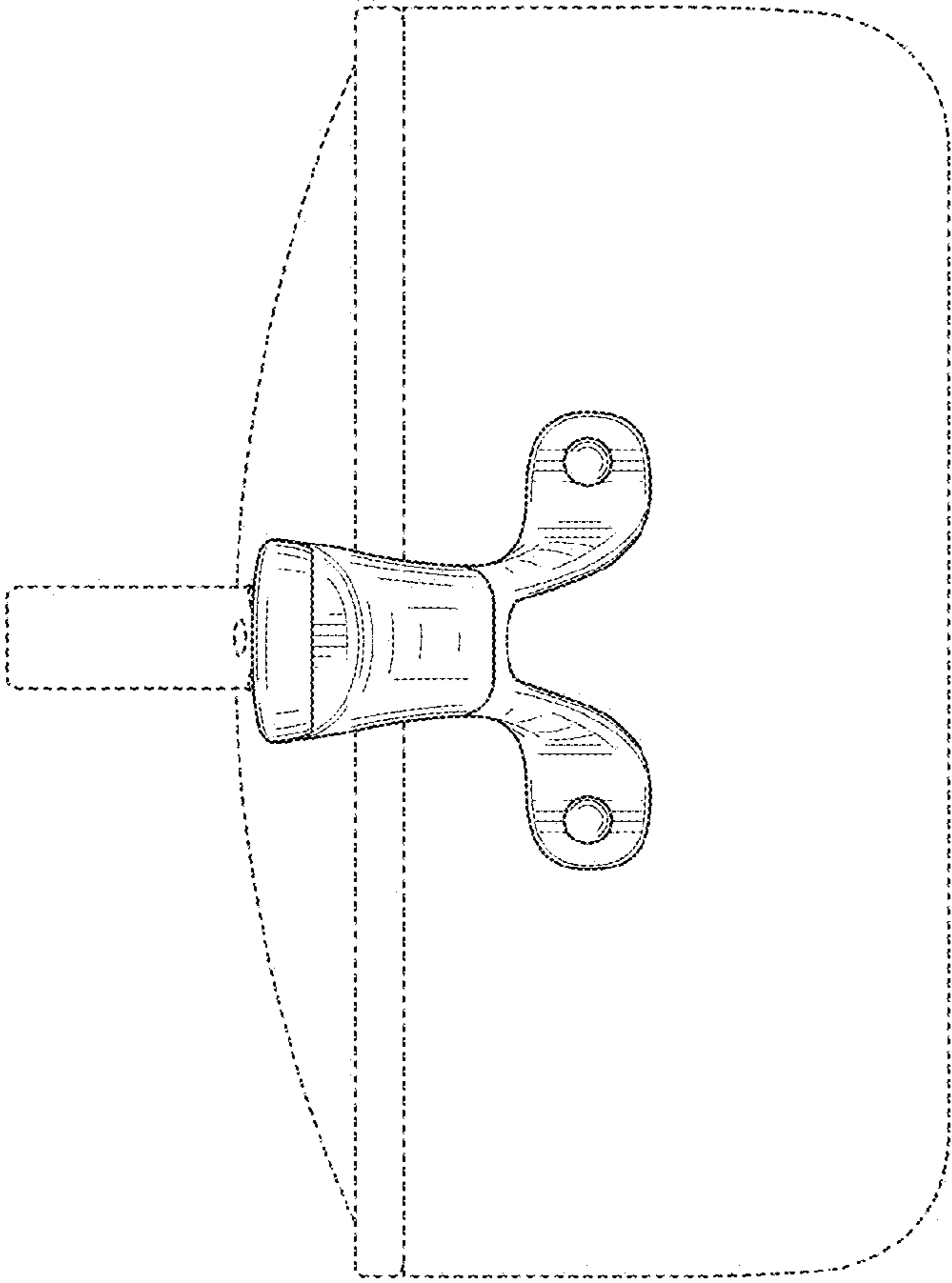


FIG. 6

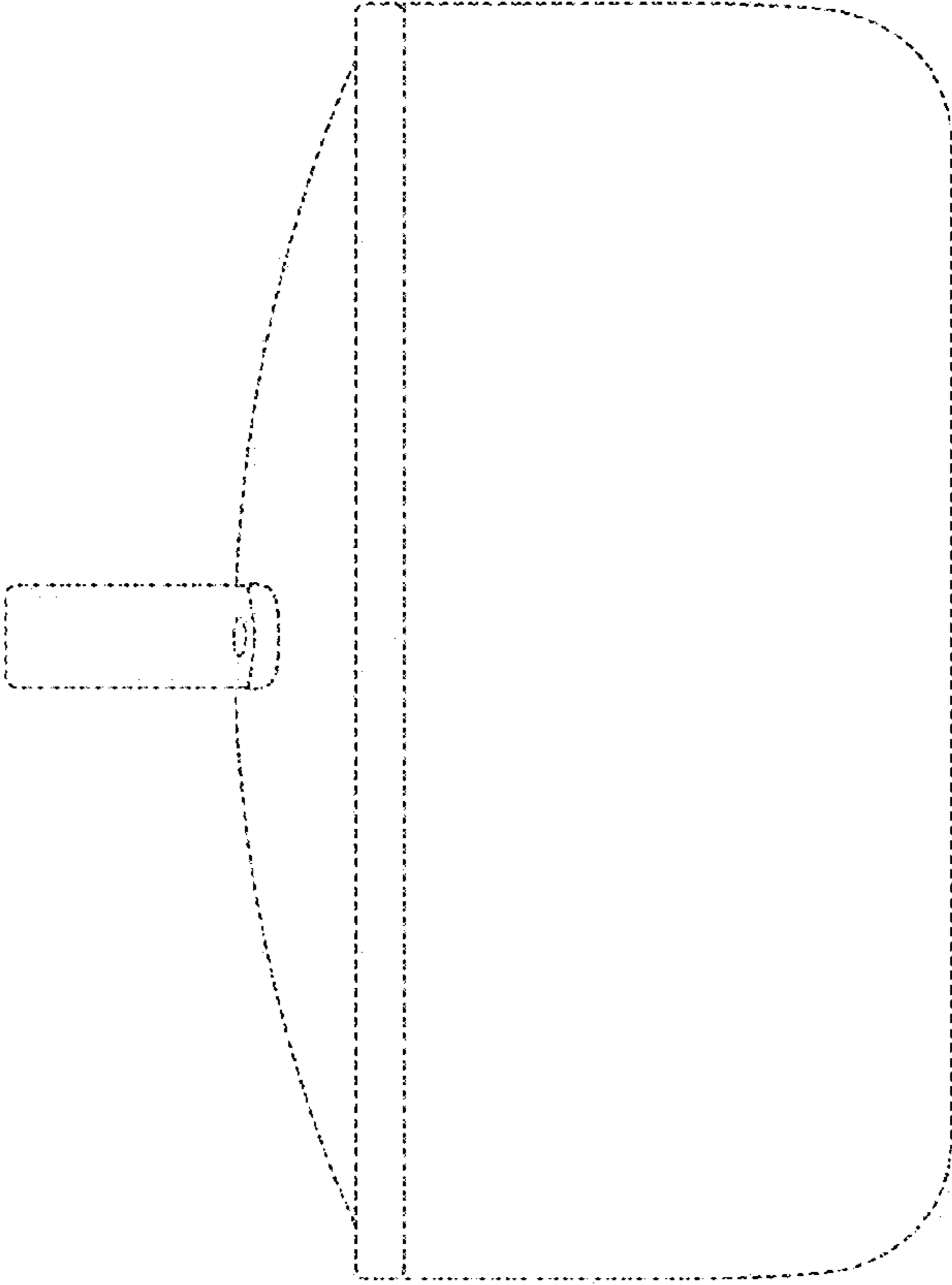


FIG. 7

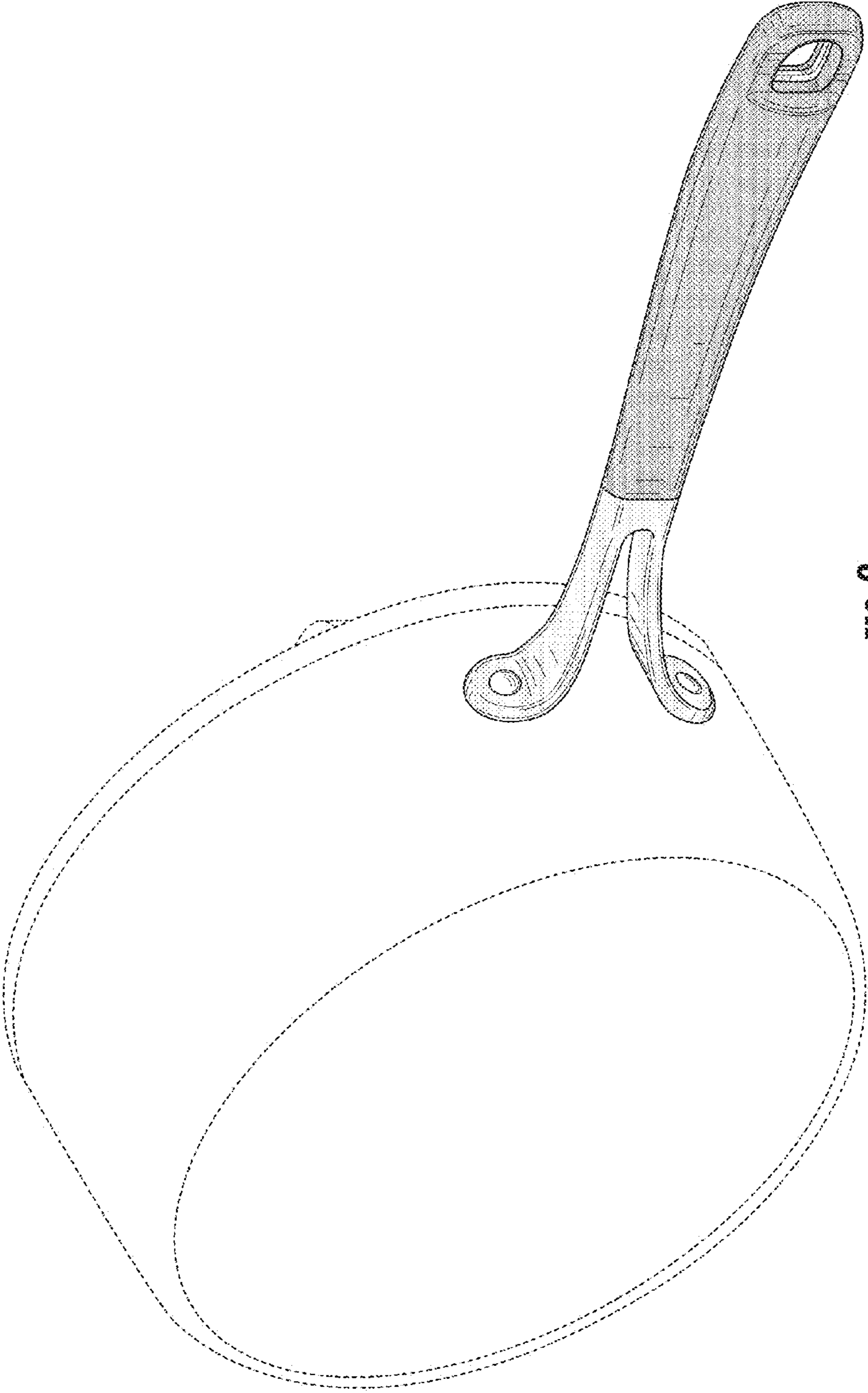


FIG. 8

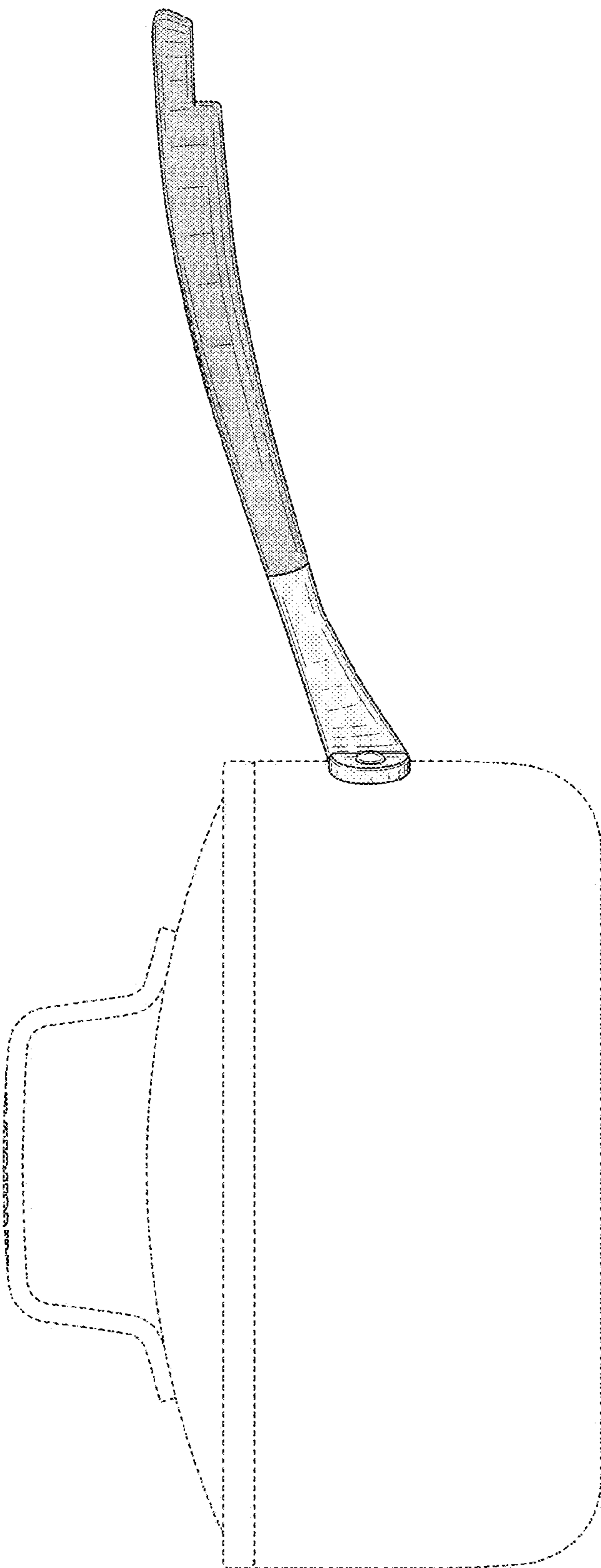


FIG. 9

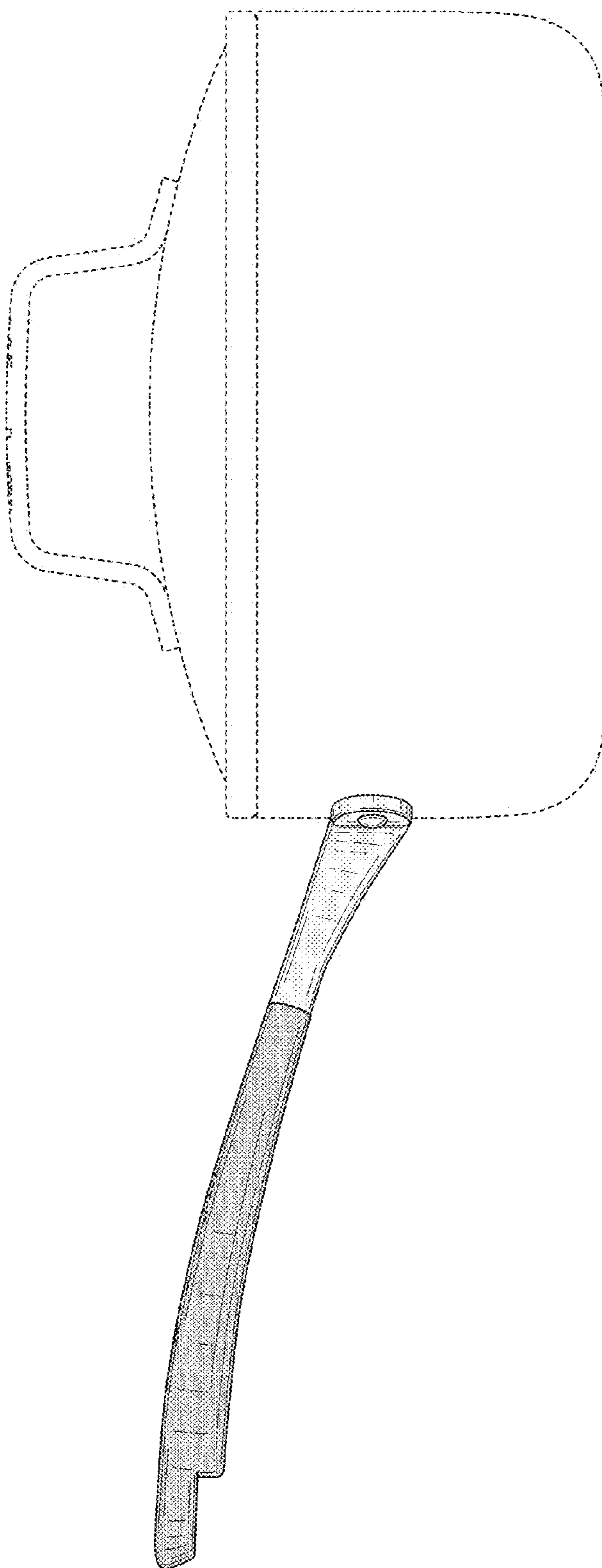


FIG. 10

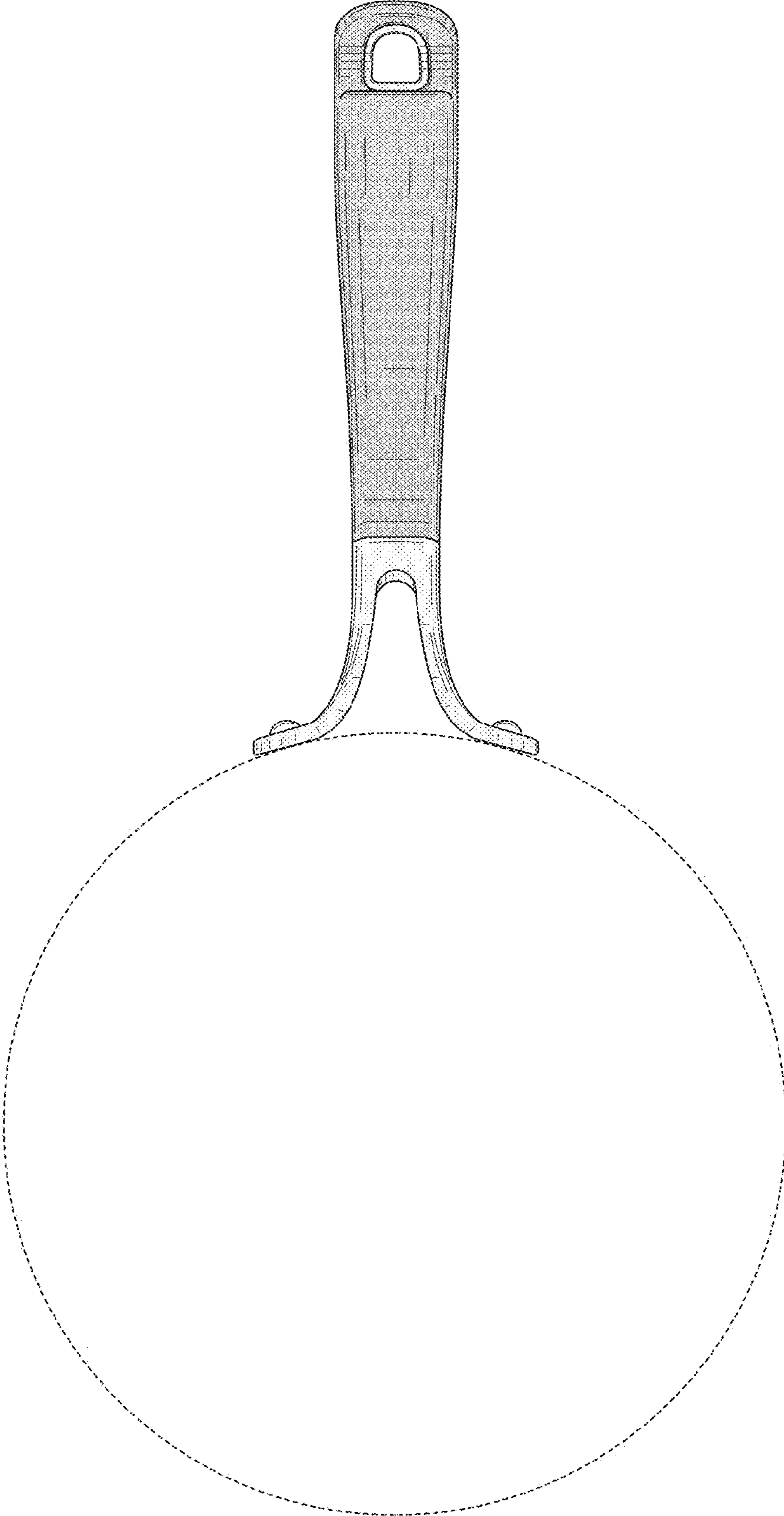


FIG. 11

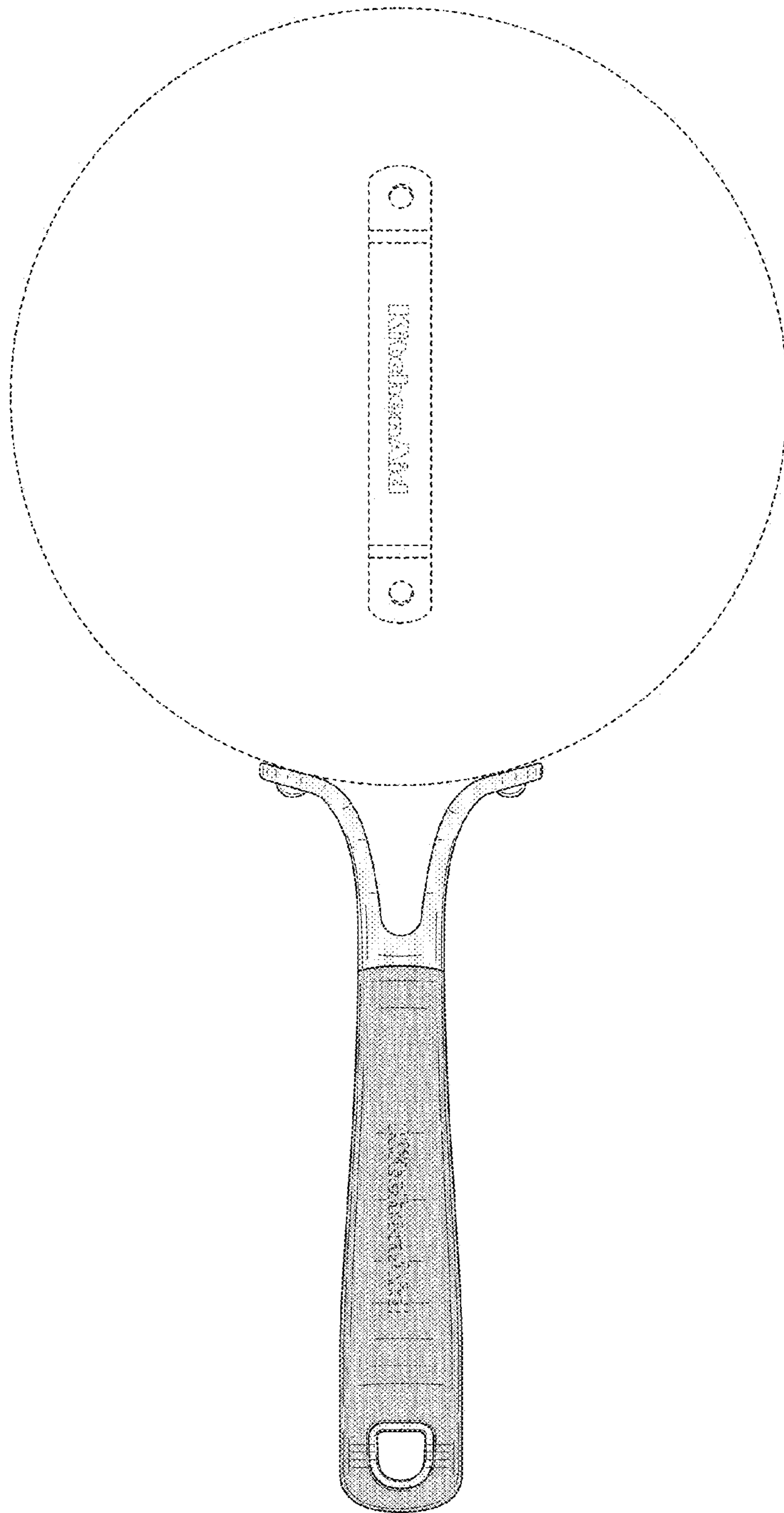


FIG. 12

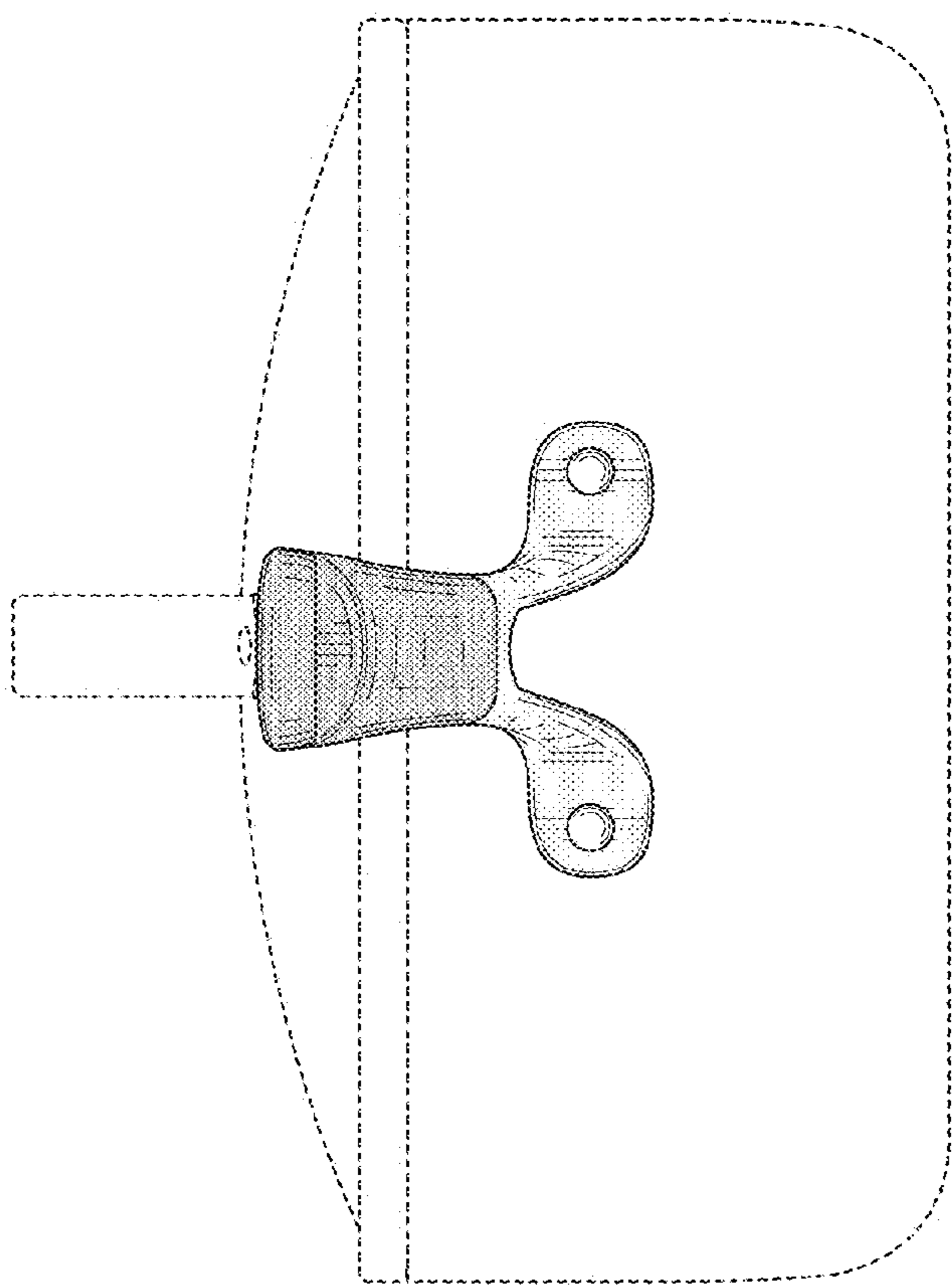


FIG. 13

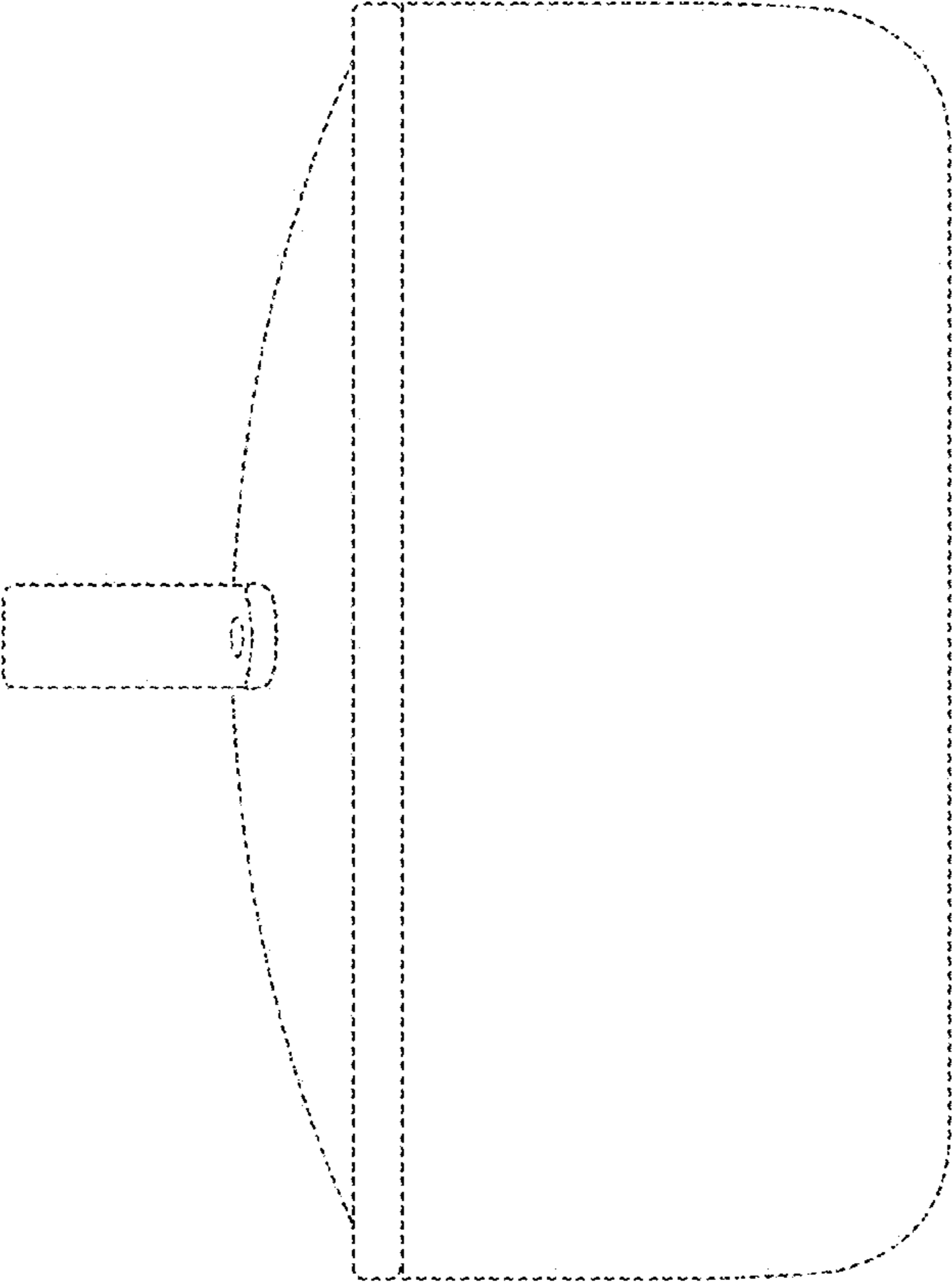


FIG. 14