



US00D757486S

(12) **United States Design Patent**  
**Steiner**

(10) **Patent No.:** **US D757,486 S**  
(45) **Date of Patent:** **\*\* May 31, 2016**

- (54) **COOKWARE LID WITH HANDLE**
- (71) Applicant: **Hamilton Beach Brands, Inc.**, Glen Allen, VA (US)
- (72) Inventor: **Mark C Steiner**, Midlothian, VA (US)
- (73) Assignee: **Hamilton Beach Brands, Inc.**, Glen Allen, VA (US)
- (\*\*) Term: **14 Years**
- (21) Appl. No.: **29/516,611**
- (22) Filed: **Feb. 4, 2015**
- (51) **LOC (10) Cl.** ..... **07-02**
- (52) **U.S. Cl.**  
USPC ..... **D7/391; D7/354; D7/360; D7/361**
- (58) **Field of Classification Search**  
USPC ..... D7/323, 354-363, 391, 393-396, 409  
CPC ..... A47G 19/12; A47J 27/00; A47J 27/002;  
A47J 27/08; A47J 27/21; A47J 27/58; A47J  
36/025; A47J 36/06; A47J 36/12; A47J 37/00;  
A47J 37/10; A47J 37/101; A47J 37/103;  
A47J 37/12; A47J 37/1204; A47J 45/061;  
A47J 45/071; A47J 45/08; H05B 6/12  
See application file for complete search history.

D473,101 S *	4/2003	Burton	.....	D7/391
D514,877 S *	2/2006	Tetreault	.....	D7/391
D571,145 S *	6/2008	Rae	.....	D7/391
D578,342 S *	10/2008	Rae	.....	D7/391
D587,519 S *	3/2009	Cheng	.....	D7/360
D599,164 S *	9/2009	Hoekstra	.....	D7/360
D664,804 S *	8/2012	Cheng	.....	D7/354
D667,691 S	9/2012	Rae		
D682,013 S	5/2013	Huang		
D740,603 S *	10/2015	Barberi	.....	D7/394

\* cited by examiner

*Primary Examiner* — Ricky Pham

(74) *Attorney, Agent, or Firm* — Alexander D. Raring

(56) **References Cited**  
U.S. PATENT DOCUMENTS

D102,574 S *	12/1936	Nelson	.....	D7/391
D416,437 S *	11/1999	Cheng	.....	D7/391

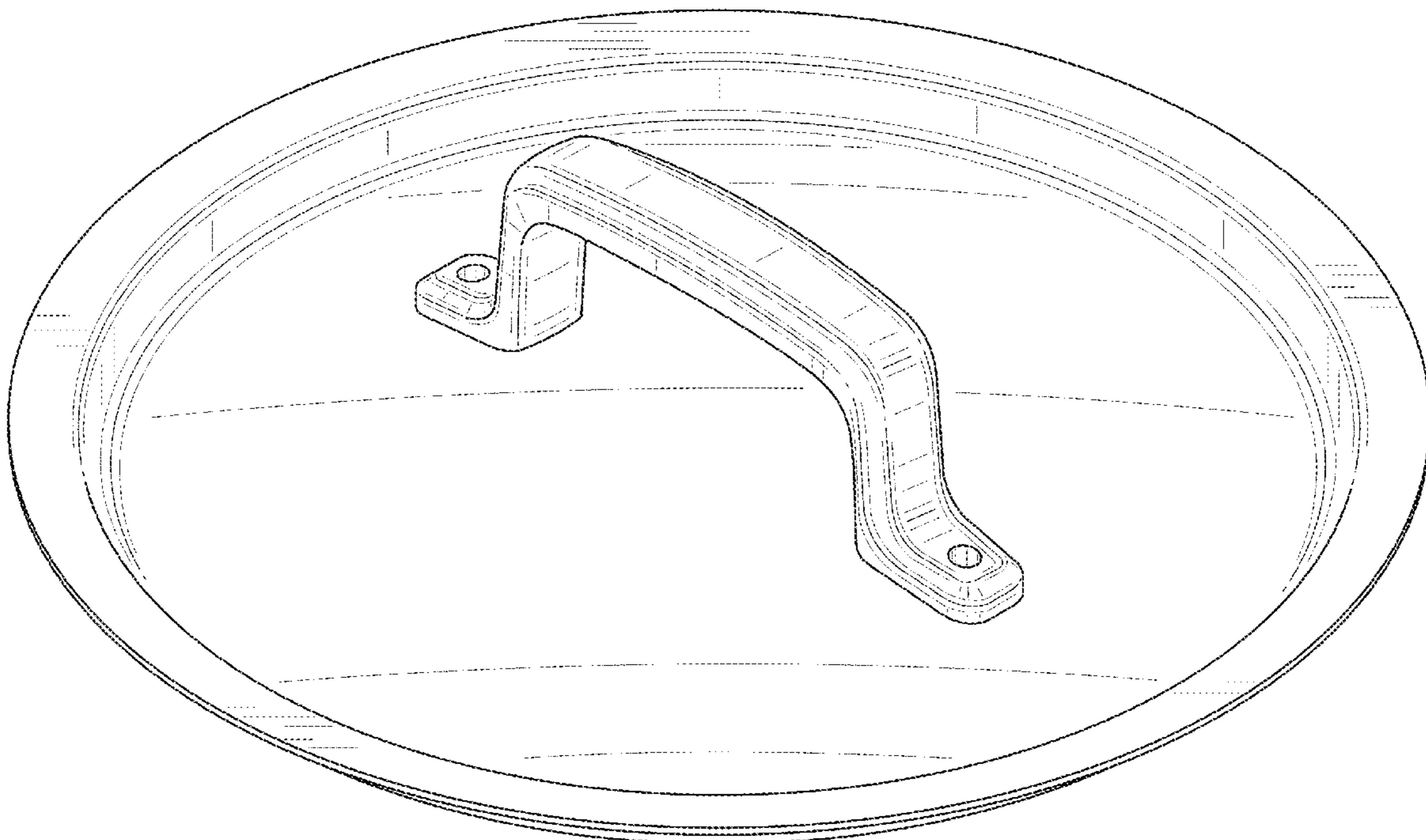
(57) **CLAIM**

The ornamental design for a cookware lid with a handle, as shown and described.

**DESCRIPTION**

FIG. 1 is a three quarter perspective view as seen from the top of a cookware lid with a handle showing the new design; FIG. 2 is a top view thereof; FIG. 3 is a bottom view thereof; FIG. 4 is a right side view thereof; FIG. 5 is a left side view thereof; FIG. 6 is a front view thereof; and, FIG. 7 is a rear view thereof.

**1 Claim, 5 Drawing Sheets**



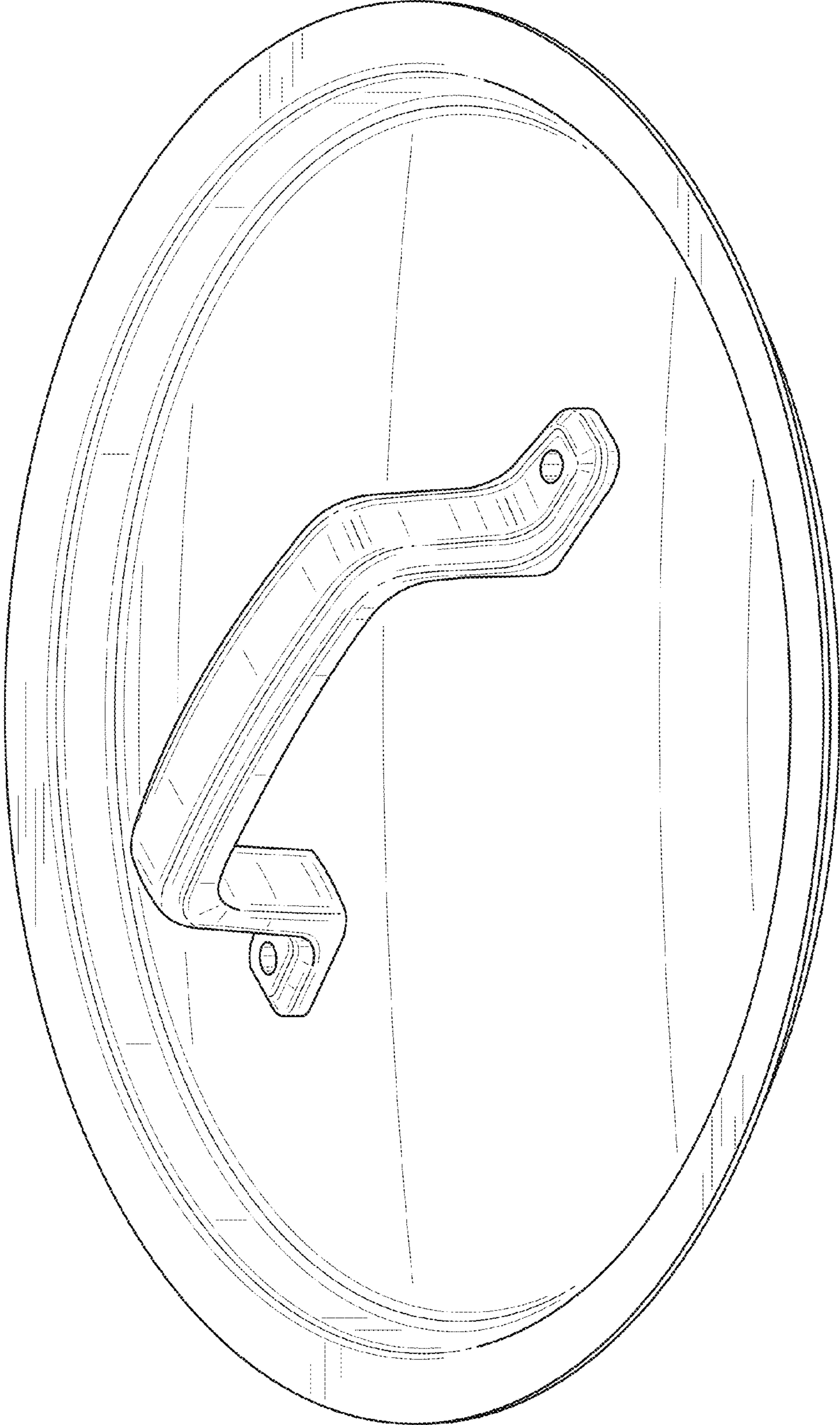


FIG. 1

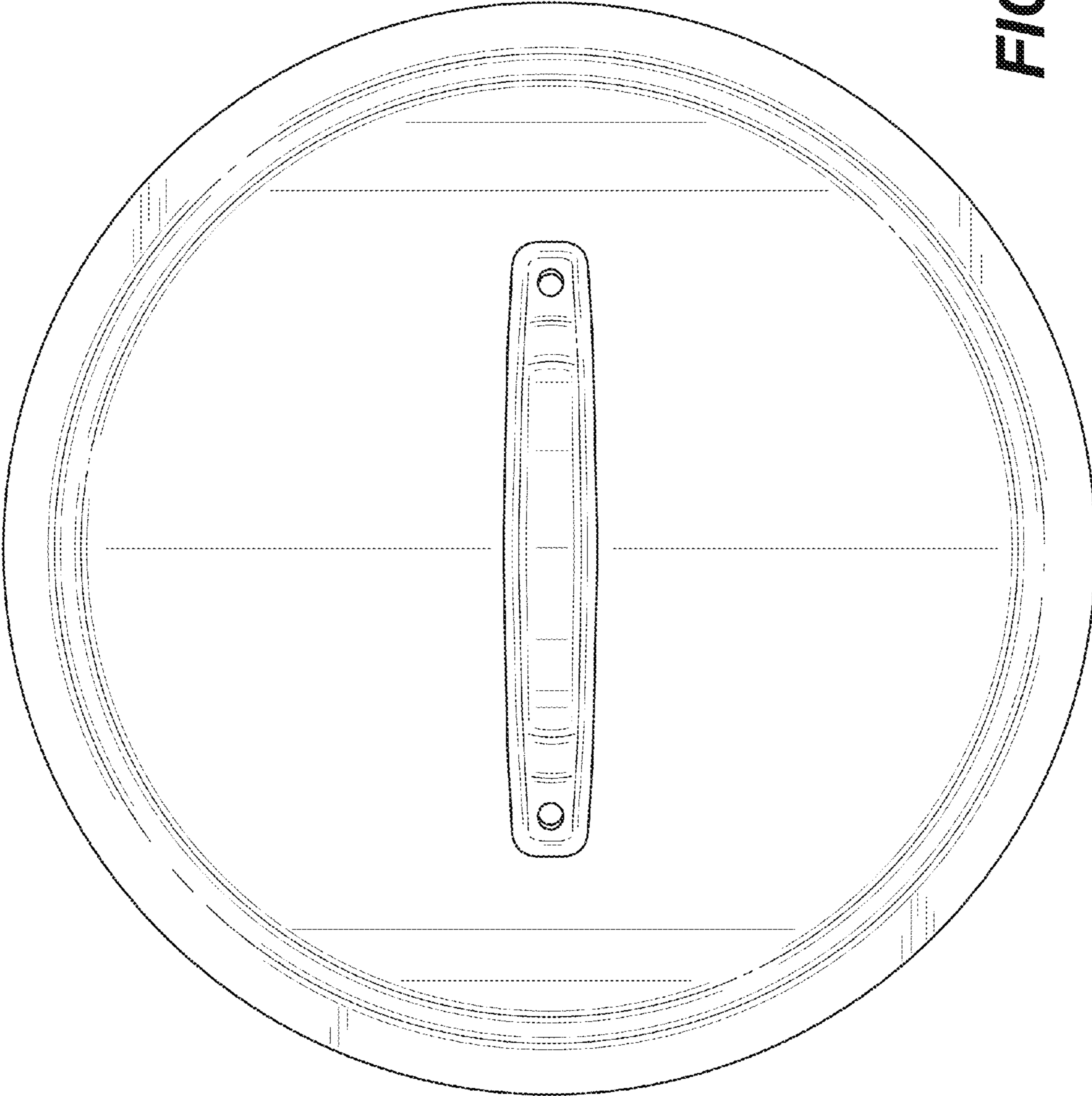


FIG. 2



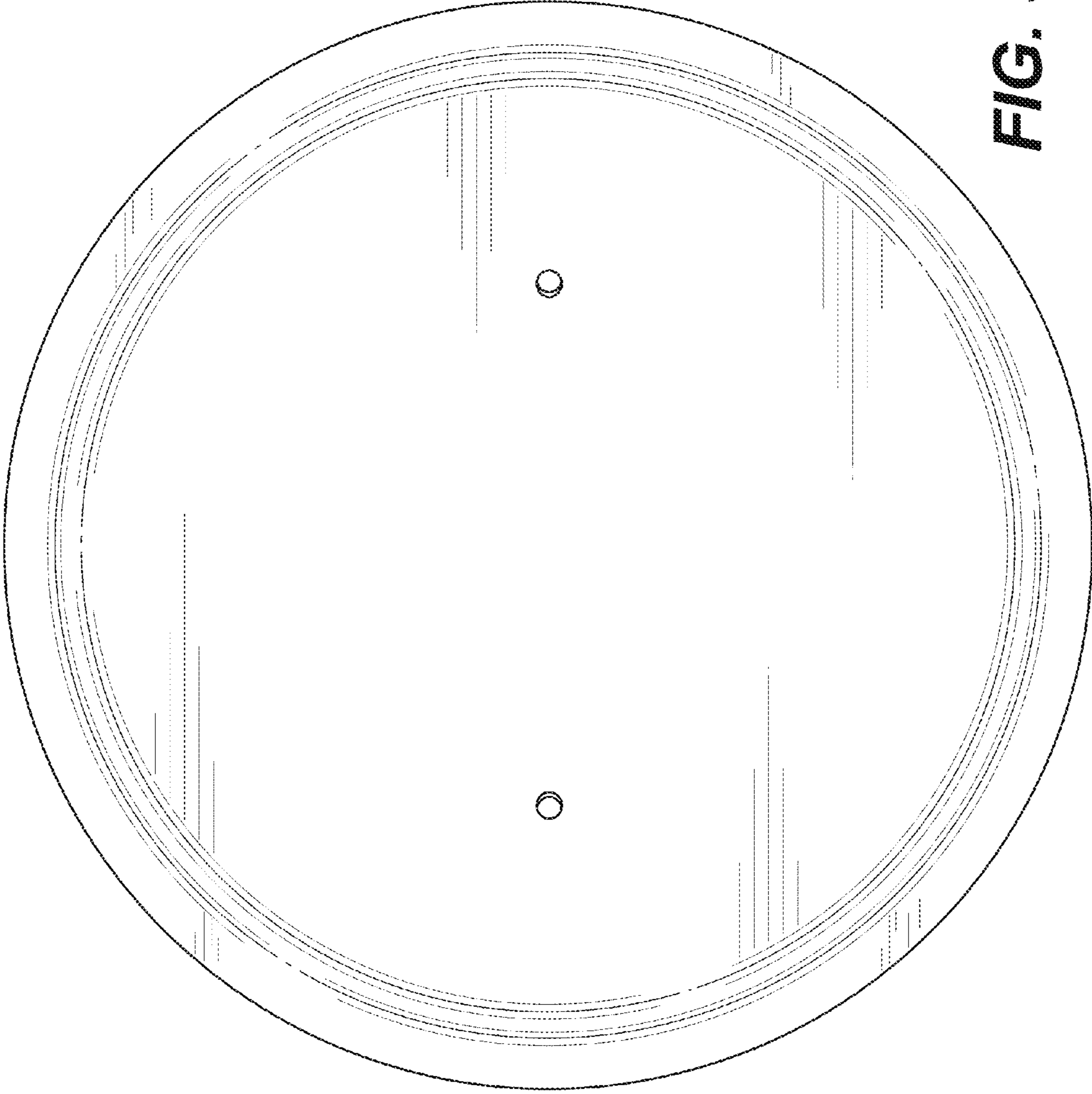
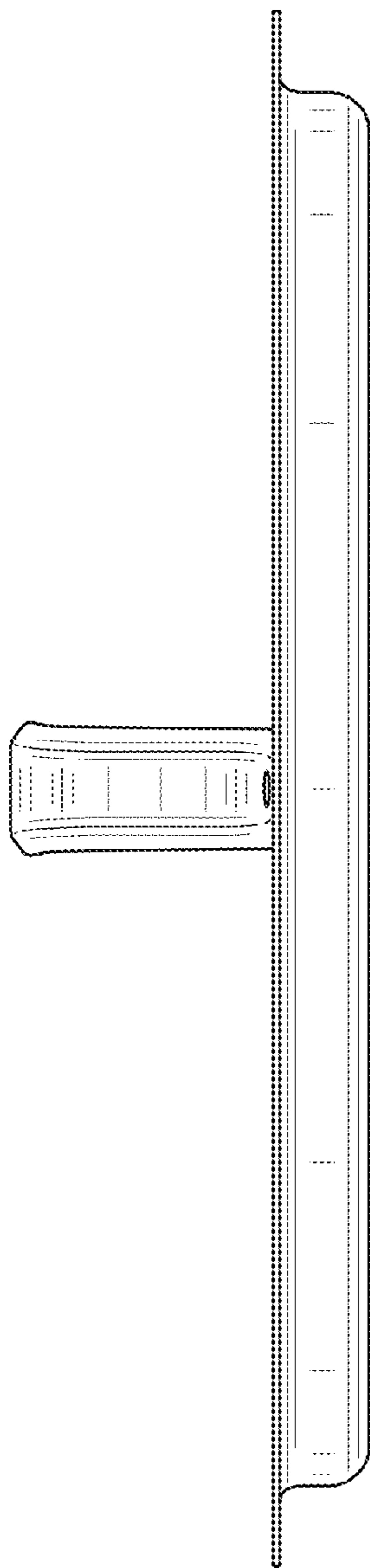
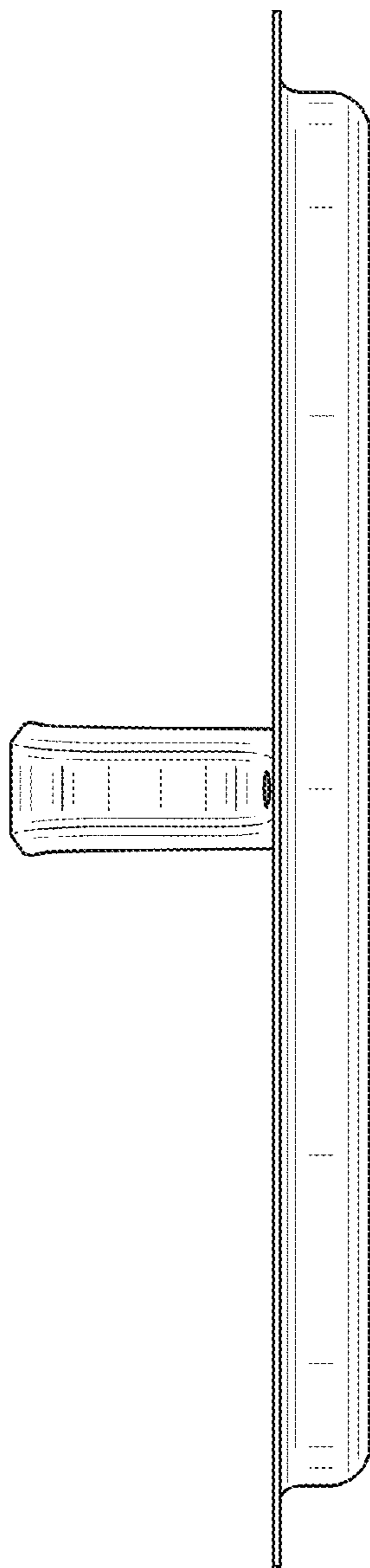


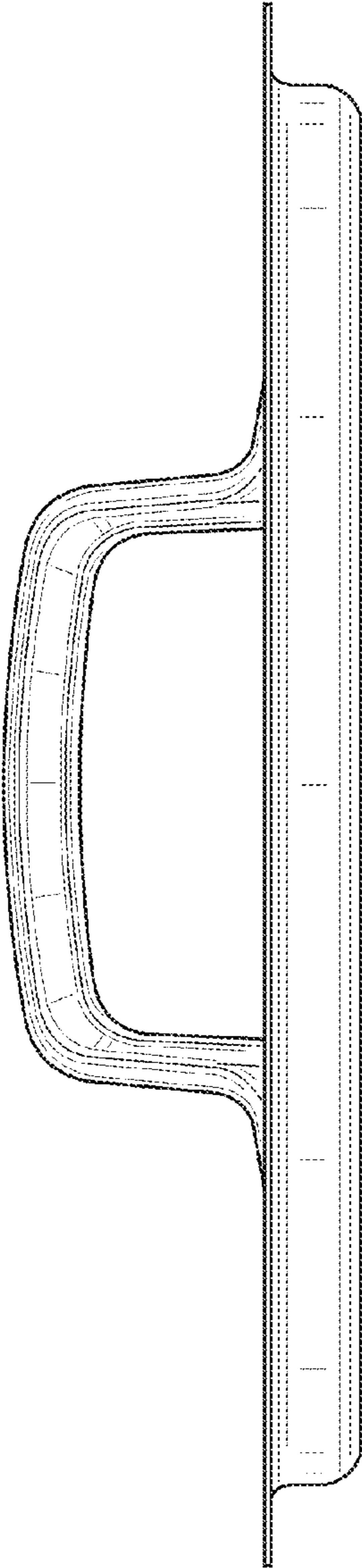
FIG. 3



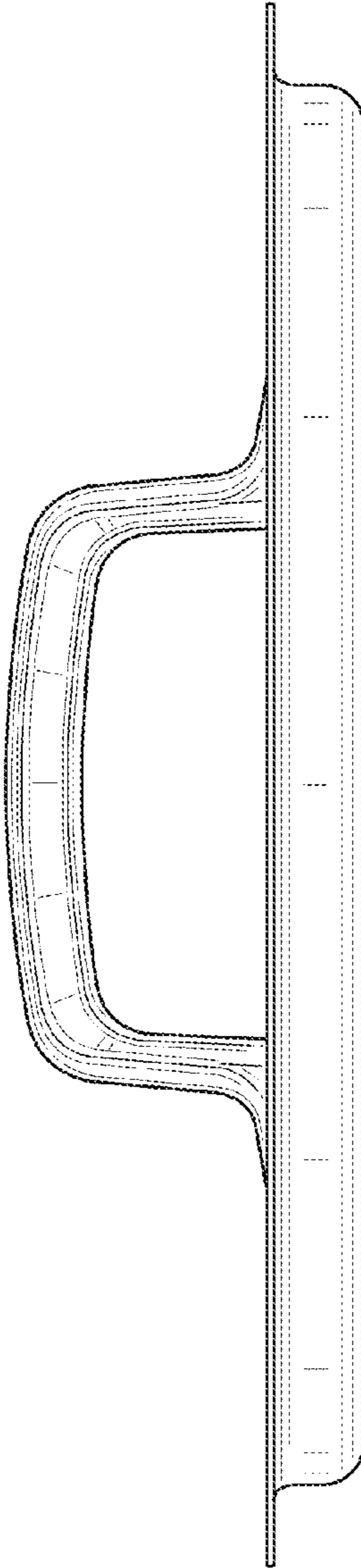
**FIG. 4**



**FIG. 5**



**FIG. 6**



**FIG. 7**