



US00D757485S

(12) **United States Design Patent**
Benoit et al.

(10) **Patent No.:** **US D757,485 S**

(45) **Date of Patent:** **** May 31, 2016**

(54) **COOK PROCESSOR ASSEMBLY**

(56) **References Cited**

(71) Applicant: **Whirlpool Corporation**, Benton Harbor, MI (US)

U.S. PATENT DOCUMENTS

(72) Inventors: **Kaitlyn M. Benoit**, St. Joseph, MI (US);
Alexander L. Clayton, St. Joseph, MI (US);
Michael I. Hirsh, Stevensville, MI (US);
John W. McConnell, St. Joseph, MI (US);
Leif A Norland, St. Joseph, MI (US);
Joel Graham Van Faasen, Holland, MI (US);
Zhaoyi Yin, Benton Harbor, MI (US)

D267,538	S	*	1/1983	Steinkamp	D7/384
D290,676	S	*	7/1987	Stutzer	D7/383
5,071,077	A	*	12/1991	Arroubi	A47J 43/06 241/282.2
D328,998	S	*	9/1992	Maass	D7/376
D349,422	S	*	8/1994	Kaneko	D7/376
5,486,050	A	*	1/1996	Lenting	A47J 43/046 241/199.12
D366,984	S	*	2/1996	Hsu	D7/376
D413,227	S	*	8/1999	Alonge	D7/384
D418,362	S	*	1/2000	Wong	D7/384
D419,367	S	*	1/2000	Kin	D7/384
D434,271	S	*	11/2000	Naft	D7/384
D445,637	S	*	7/2001	Feil	D7/384
D446,996	S	*	8/2001	Feil	D7/386

(73) Assignee: **Whirlpool Corporation**, Benton Harbor, MI (US)

(Continued)

(**) Term: **14 Years**

Primary Examiner — Ricky Pham

(21) Appl. No.: **29/501,792**

(57) **CLAIM**

We claim the ornamental design for a cook processor assembly, as shown and described.

(22) Filed: **Sep. 9, 2014**

DESCRIPTION

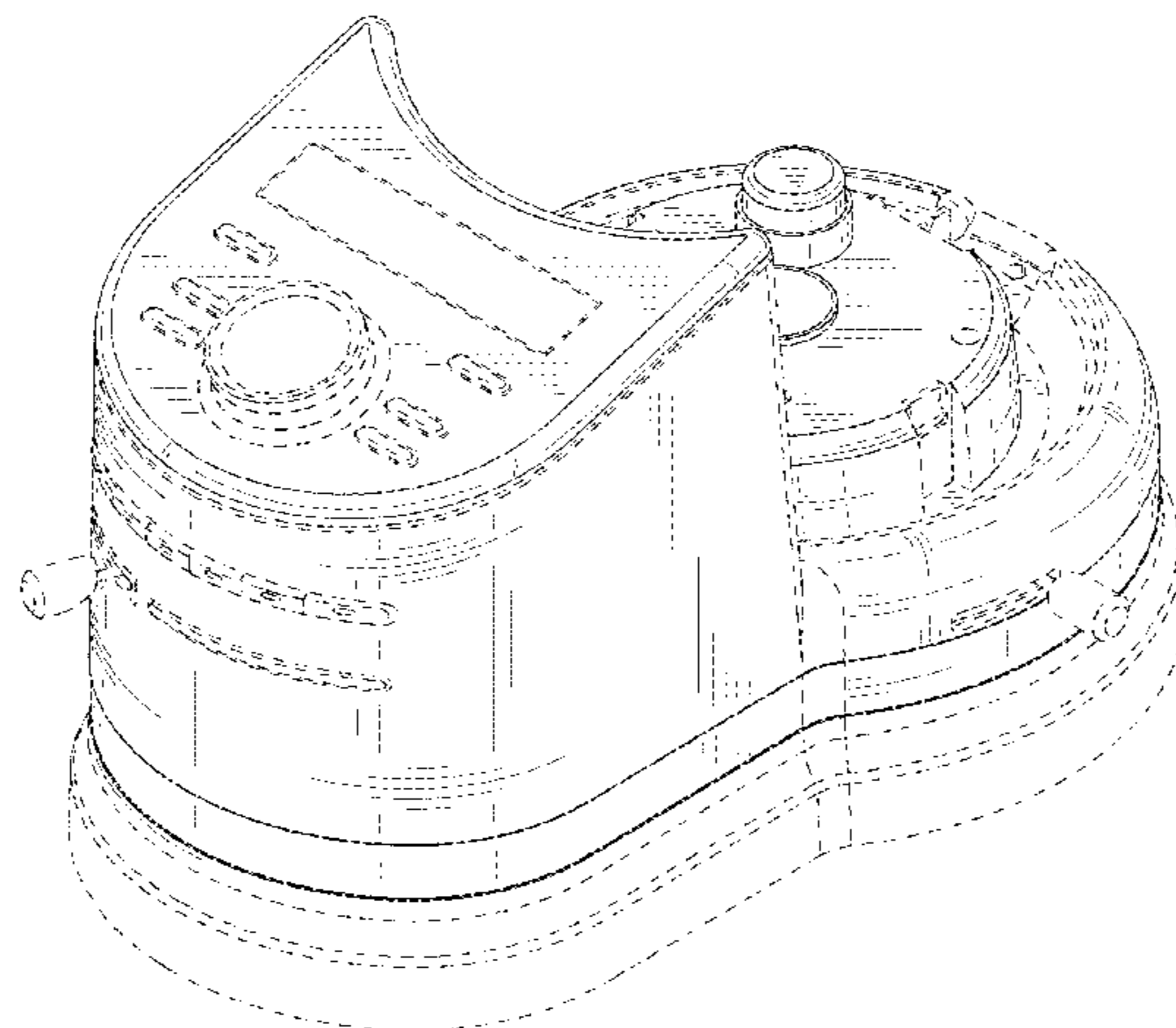
(51) **LOC (10) Cl.** **31-00**

(52) **U.S. Cl.**
USPC **D7/384**; D7/376; D7/378

(58) **Field of Classification Search**
USPC D7/326, 372, 376–386, 412–413, 602,
D7/629, 665–666, 669, 679, 693–694
CPC A21C 1/02; A21C 1/04; A23N 1/00;
A23N 1/02; A47J 43/04; A47J 43/25; A47J
43/27; A47J 43/042; A47J 43/044; A47J
43/046; A47J 43/075; A47J 43/0711; A47J
43/0722; A47J 43/0727; A47J 43/082; B01F
3/00; B01F 3/0807; B01F 3/0853; B01F
13/0059; B01F 13/0064; B02C 1/08; B02C
2/04; B02C 4/42; B02C 4/142; B02C 4/143;
B02C 4/423; B02C 13/1835; B28C 5/10;
B28C 5/12; B28C 5/14; B28C 5/16
See application file for complete search history.

FIG. 1 is a front perspective view of a cook processor assembly of the present disclosure;
FIG. 2 is a rear perspective view of the cook processor assembly of FIG. 1;
FIG. 3 is a front elevational view of the cook processor assembly of FIG. 1;
FIG. 4 is a rear elevational view of the cook processor assembly of FIG. 1;
FIG. 5 is a first side elevational view of the cook processor assembly of FIG. 1;
FIG. 6 is a second side elevational view of the cook processor assembly of FIG. 1;
FIG. 7 is a top plan view of the cook processor assembly of FIG. 1; and,
FIG. 8 is a bottom plan view of the cook processor assembly of FIG. 1.
The broken lines are for illustrative purposes only and form no part of the claimed design.

1 Claim, 8 Drawing Sheets



(56)

References Cited

U.S. PATENT DOCUMENTS

D457,380 S * 5/2002 Mauch D7/384
D457,381 S * 5/2002 Brady D7/384
D483,987 S * 12/2003 Mauch D7/384
D506,108 S * 6/2005 Cohen D7/665
D591,558 S * 5/2009 Barnard D7/412
D638,653 S * 5/2011 Borin D7/326

D662,353 S * 6/2012 Vulliermet D7/376
D708,007 S * 7/2014 Lazzer D7/376
D720,189 S * 12/2014 Lee D7/665
D734,637 S * 7/2015 Benoit D7/376
D739,686 S * 9/2015 Benoit D7/665
D740,080 S * 10/2015 Shao D7/665
2002/0027175 A1 * 3/2002 Capp A47J 43/046
241/199.12

* cited by examiner

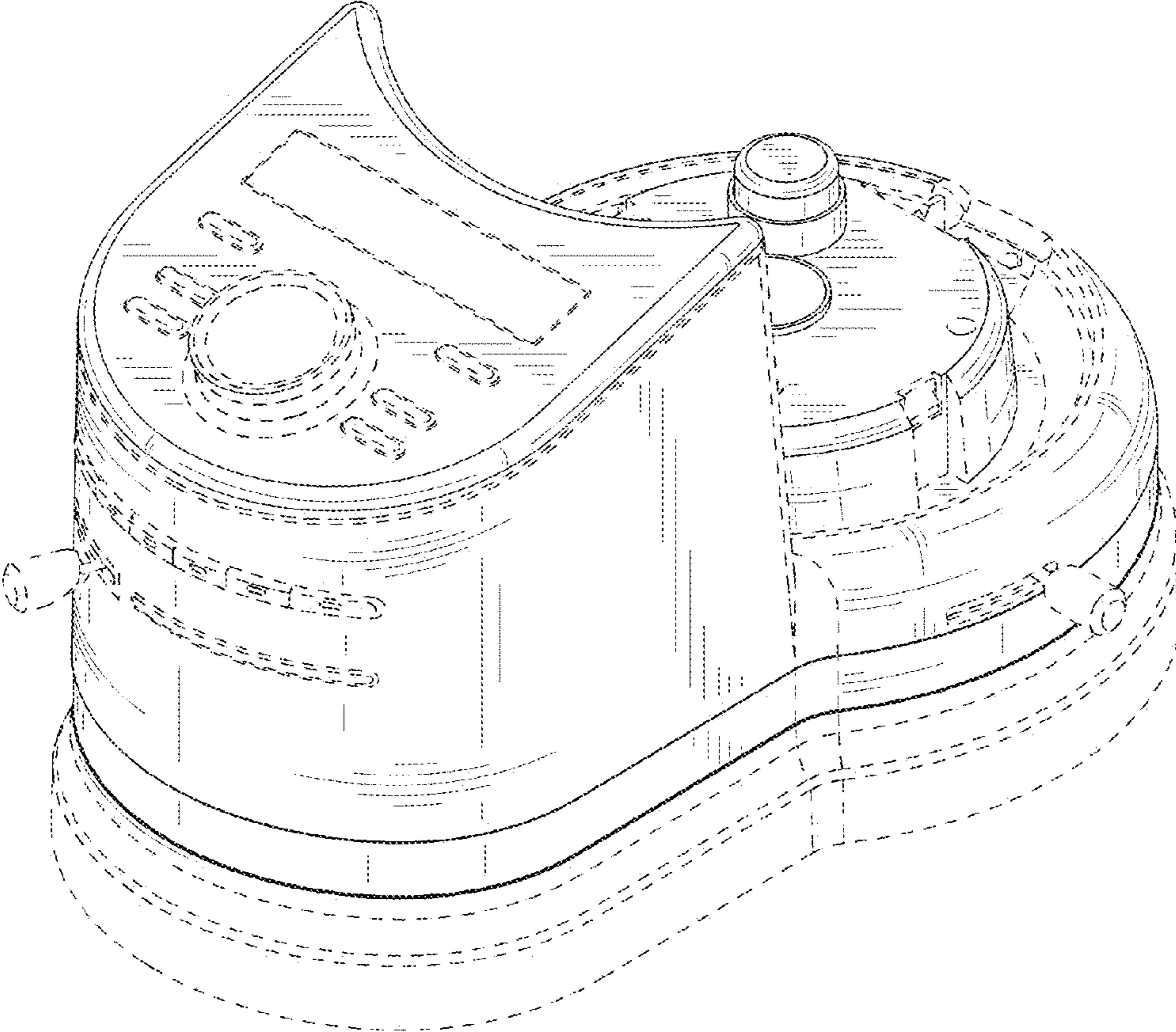


FIG. 1

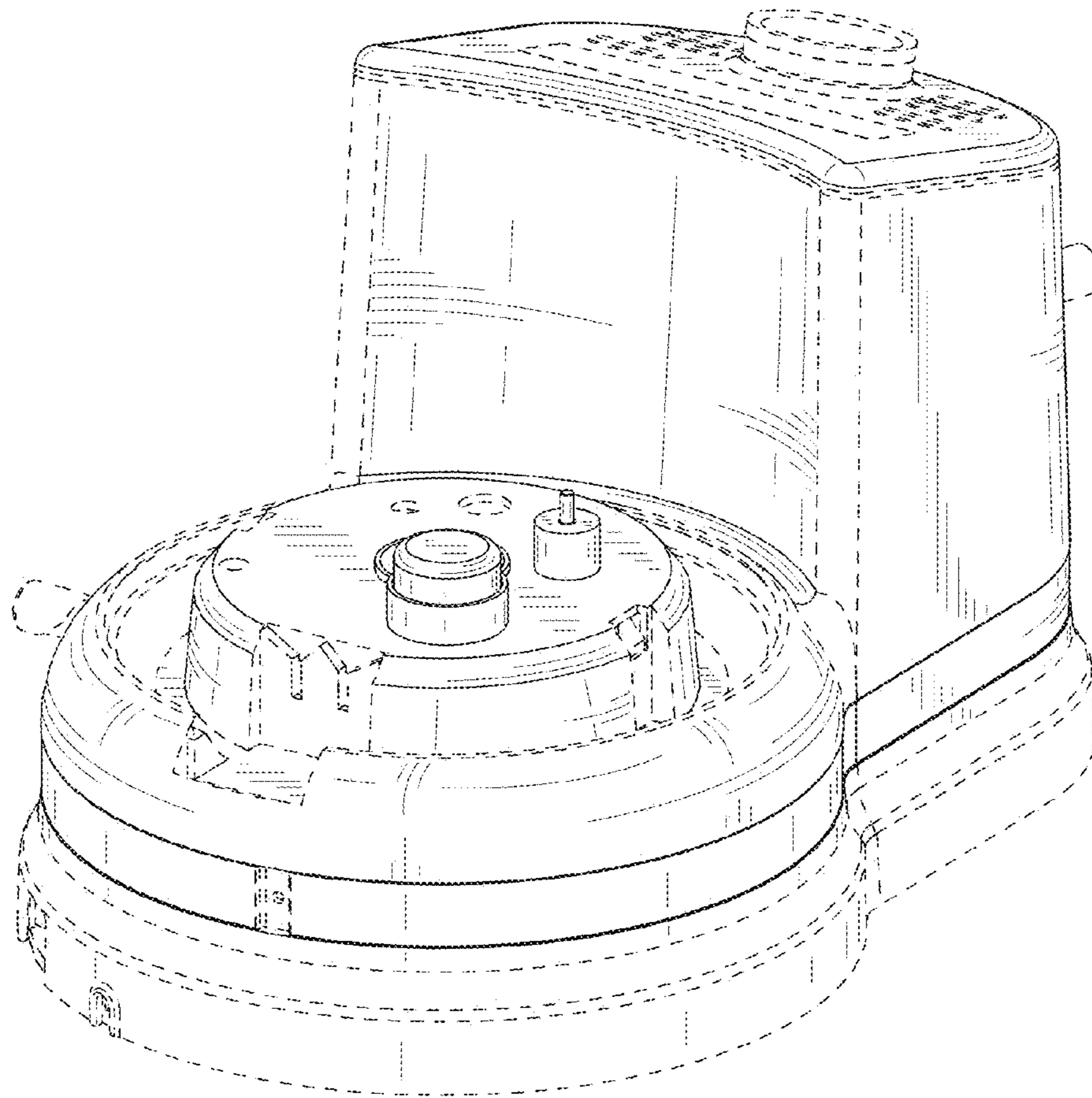


FIG. 2

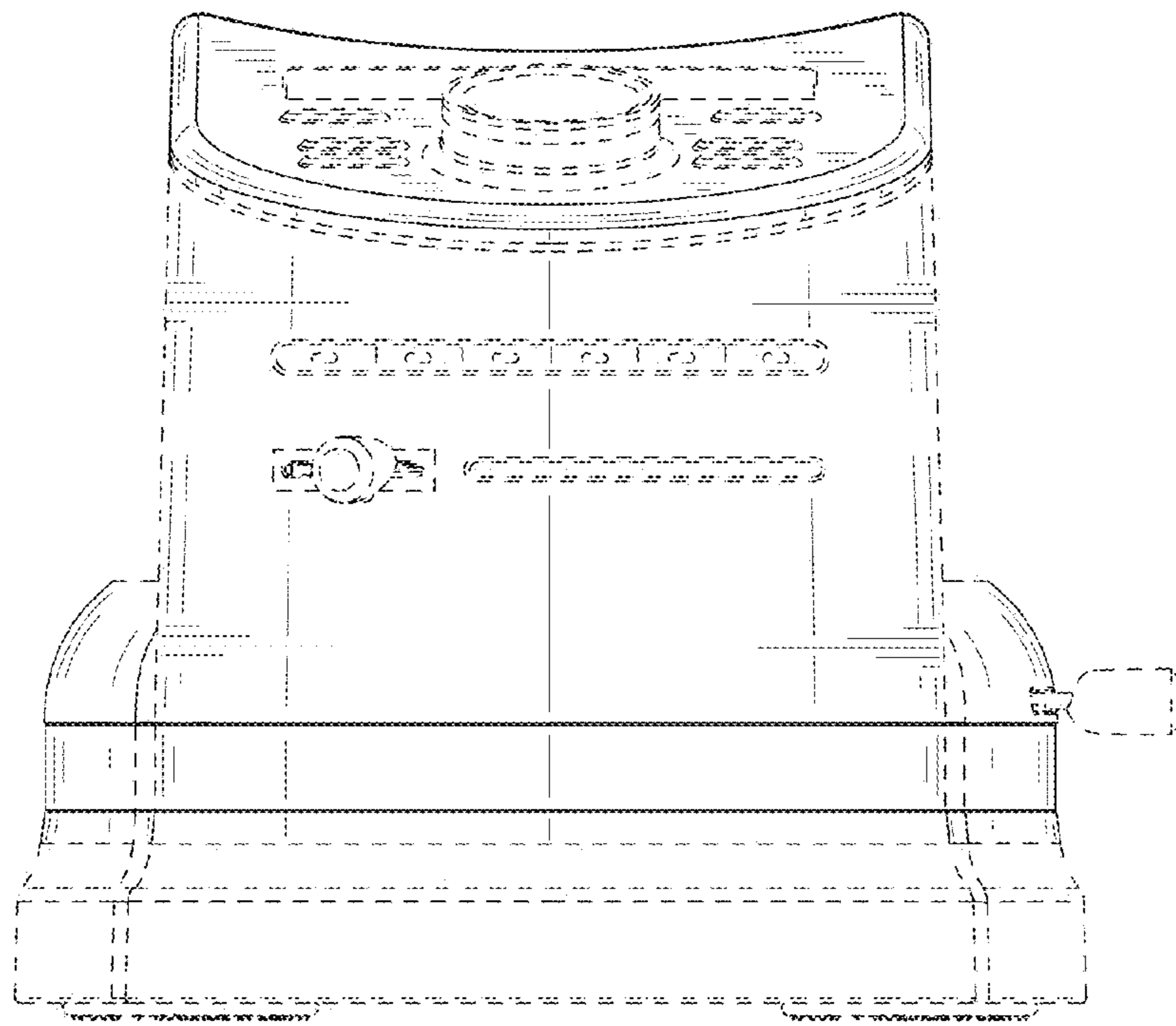


FIG. 3

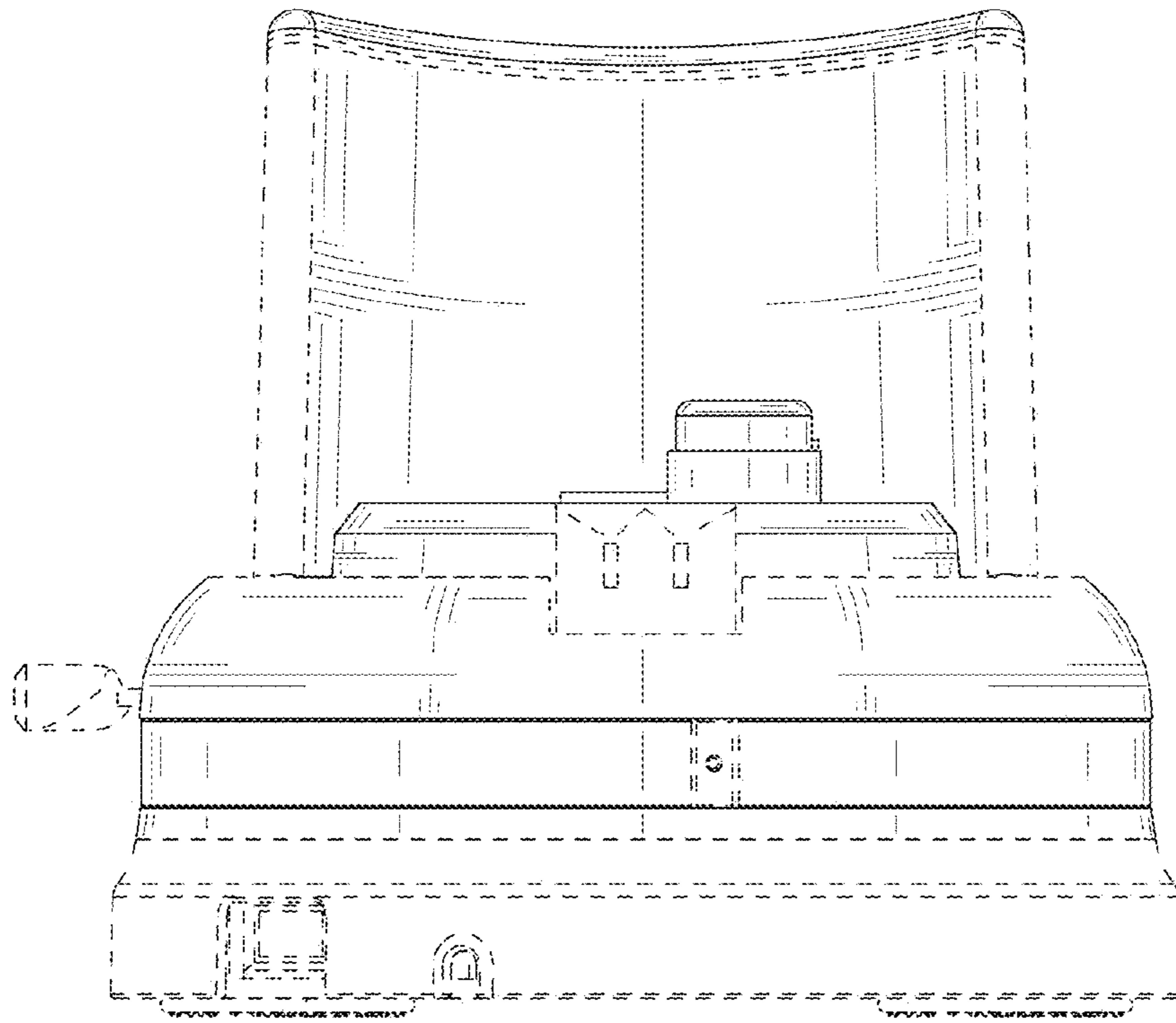


FIG. 4

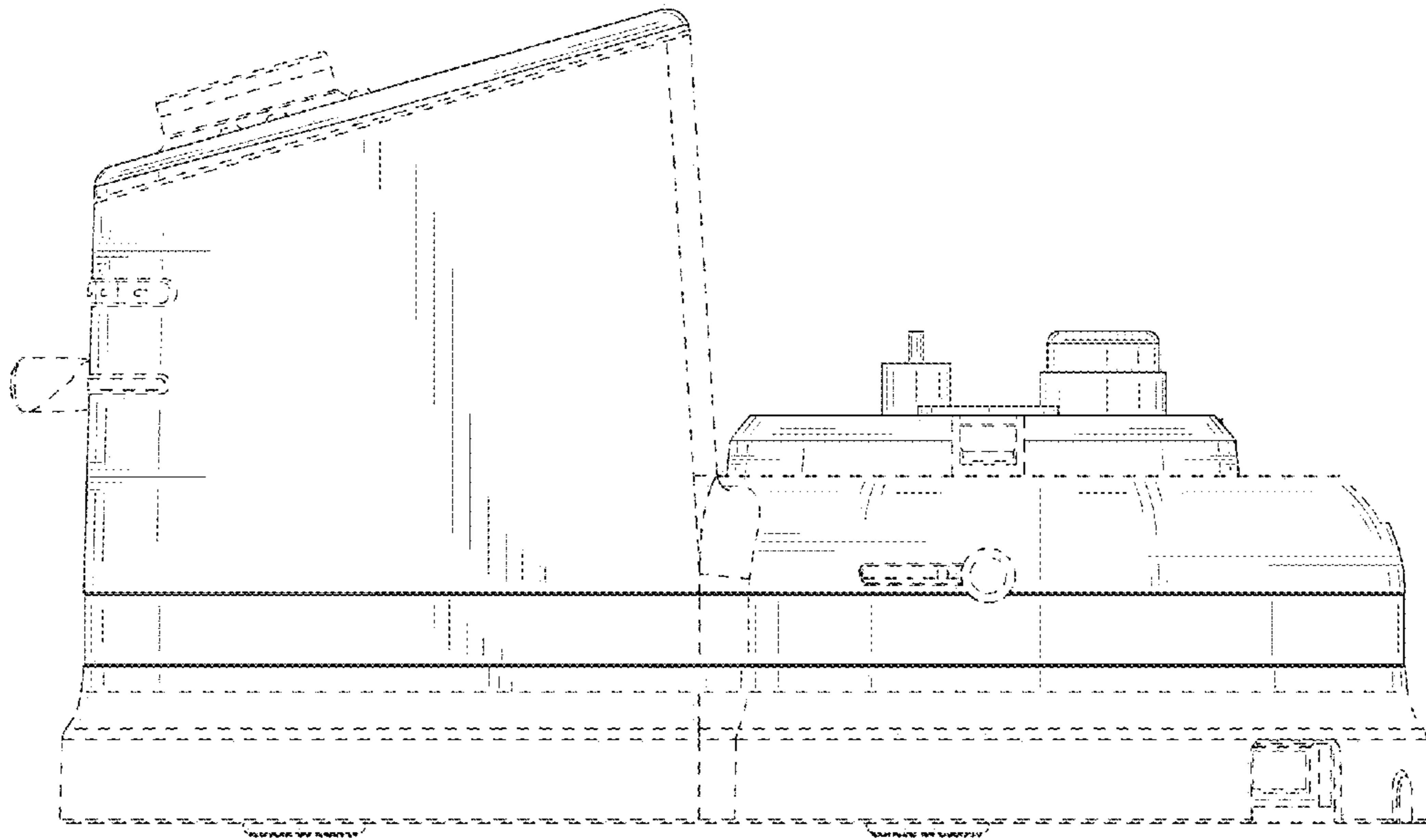


FIG. 5

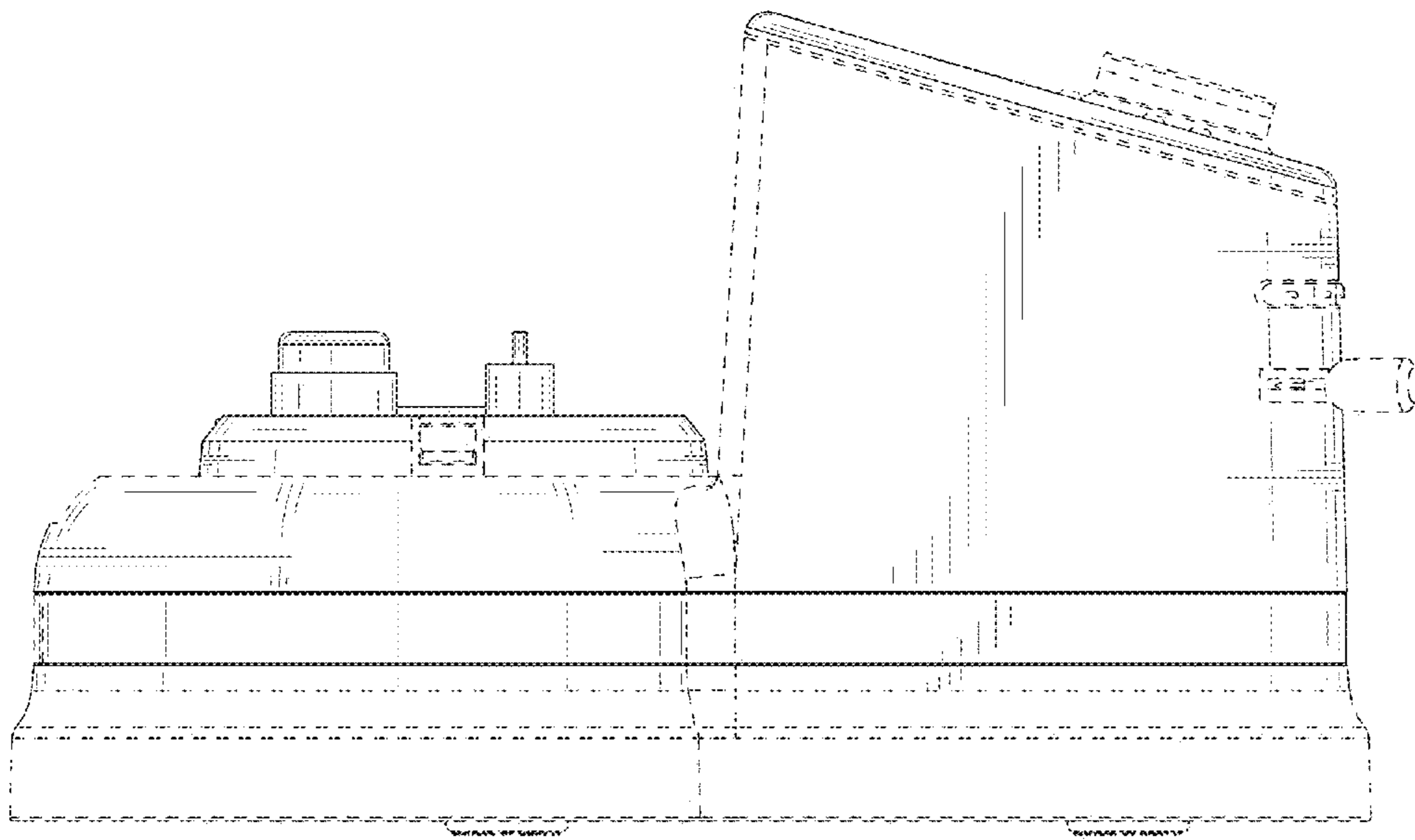


FIG. 6

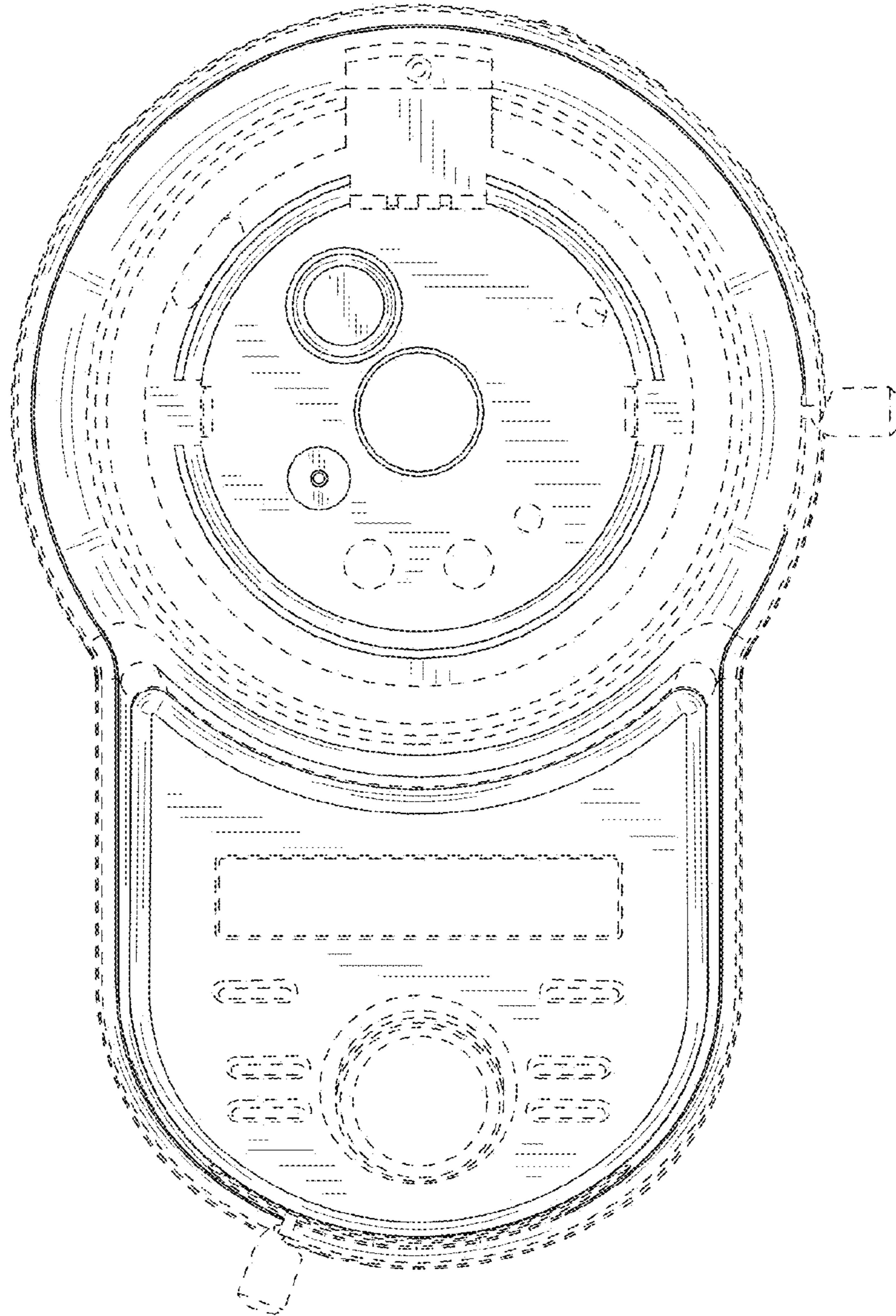


FIG. 7

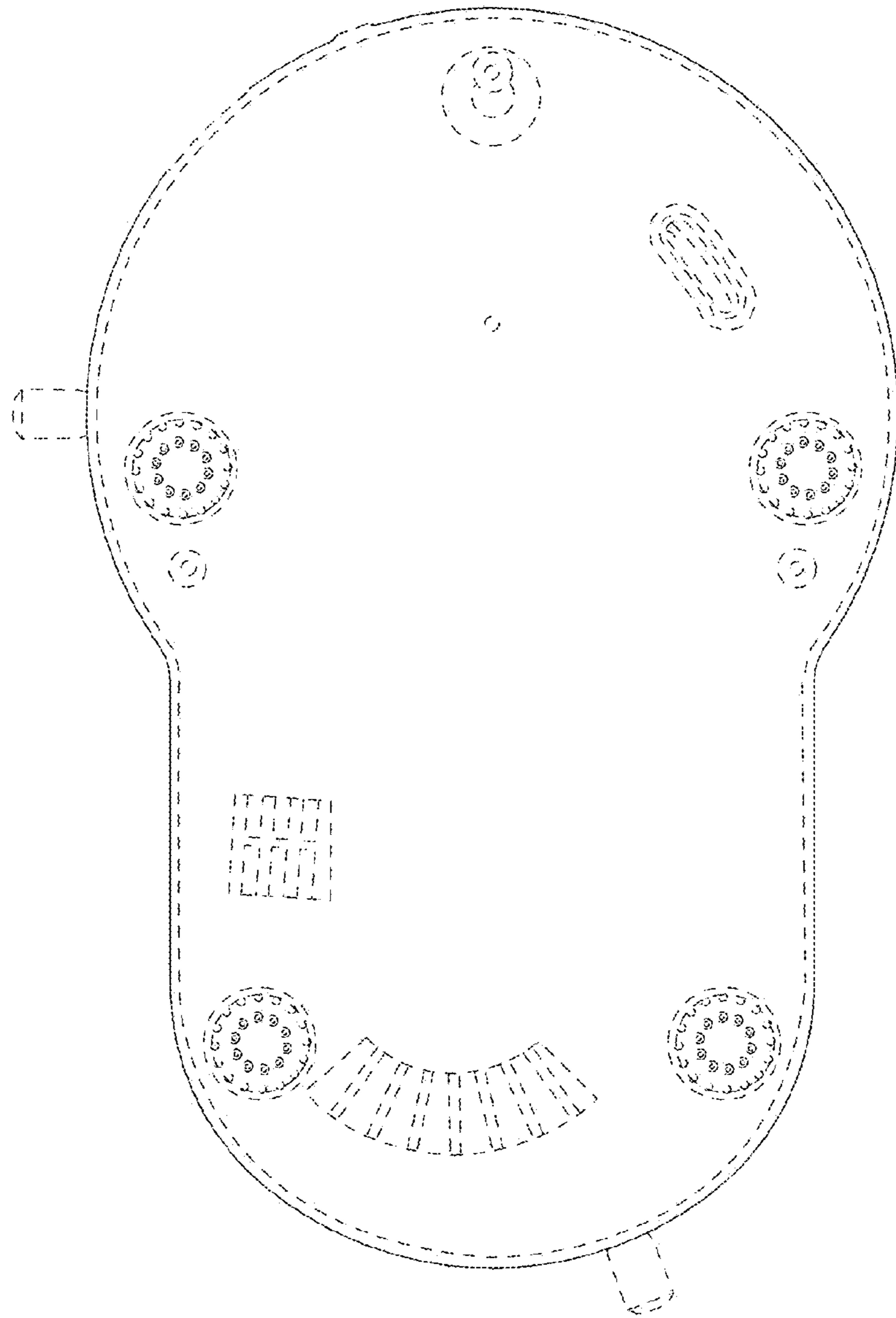


FIG. 8