



US00D757482S

(12) **United States Design Patent**
Schwamkrug et al.

(10) **Patent No.:** **US D757,482 S**

(45) **Date of Patent:** **** *May 31, 2016**

(54) **COMBI OVEN WITH SINGLE PLATE**

(56) **References Cited**

(71) Applicant: **Convotherm Elektrogerate GmbH**,
Eglfing (DE)
(72) Inventors: **Christian Schwamkrug**, Zell am See
(AT); **Siegfried Ebner**, Zell am See
(AT); **Martin Behle**, Remscheid (DE);
Hannes Laessig, Munich (DE); **Stan**
Smits, Weilheim (DE); **Herbert**
Fischhaber, Peibeneberg (DE)
(73) Assignee: **Convotherm Elektrogeraete GMBH**,
Eglfing (DE)

U.S. PATENT DOCUMENTS

D318,775 S *	8/1991	Bonnet et al.	D7/350.3
D343,090 S *	1/1994	Connell	D7/339
D526,527 S *	8/2006	Jung et al.	D7/348
D560,421 S *	1/2008	Davis	D7/348
D567,571 S *	4/2008	Hillmann et al.	D7/347
D598,236 S *	8/2009	Dyson et al.	D7/328
D609,958 S *	2/2010	Chung et al.	D7/330
D611,753 S *	3/2010	Gammack et al.	D7/306
D657,184 S *	4/2012	Segato	D7/348
D657,185 S *	4/2012	Segato	D7/348
D669,727 S *	10/2012	Pagano	D7/307
D702,482 S *	4/2014	Davis et al.	D7/350.1
2005/0178757 A1 *	8/2005	Starr et al.	219/386

(*) Notice: This patent is subject to a terminal disclaimer.

* cited by examiner

Primary Examiner — Ricky Pham

(74) *Attorney, Agent, or Firm* — Ohlandt, Greeley, Ruggiero & Perle, LLP

(**) Term: **14 Years**

(57) **CLAIM**

The ornamental design for a combi oven with single plate, as shown and described.

(21) Appl. No.: **29/493,038**

DESCRIPTION

(22) Filed: **Jun. 5, 2014**

(30) **Foreign Application Priority Data**

Apr. 8, 2014 (CN) 2014 3 0080375

(51) **LOC (10) Cl.** **07-02**

(52) **U.S. Cl.**
USPC **D7/339**

(58) **Field of Classification Search**

USPC D7/306–307, 323, 328–330, 339,
D7/347–348, 350.1, 350.3, 390

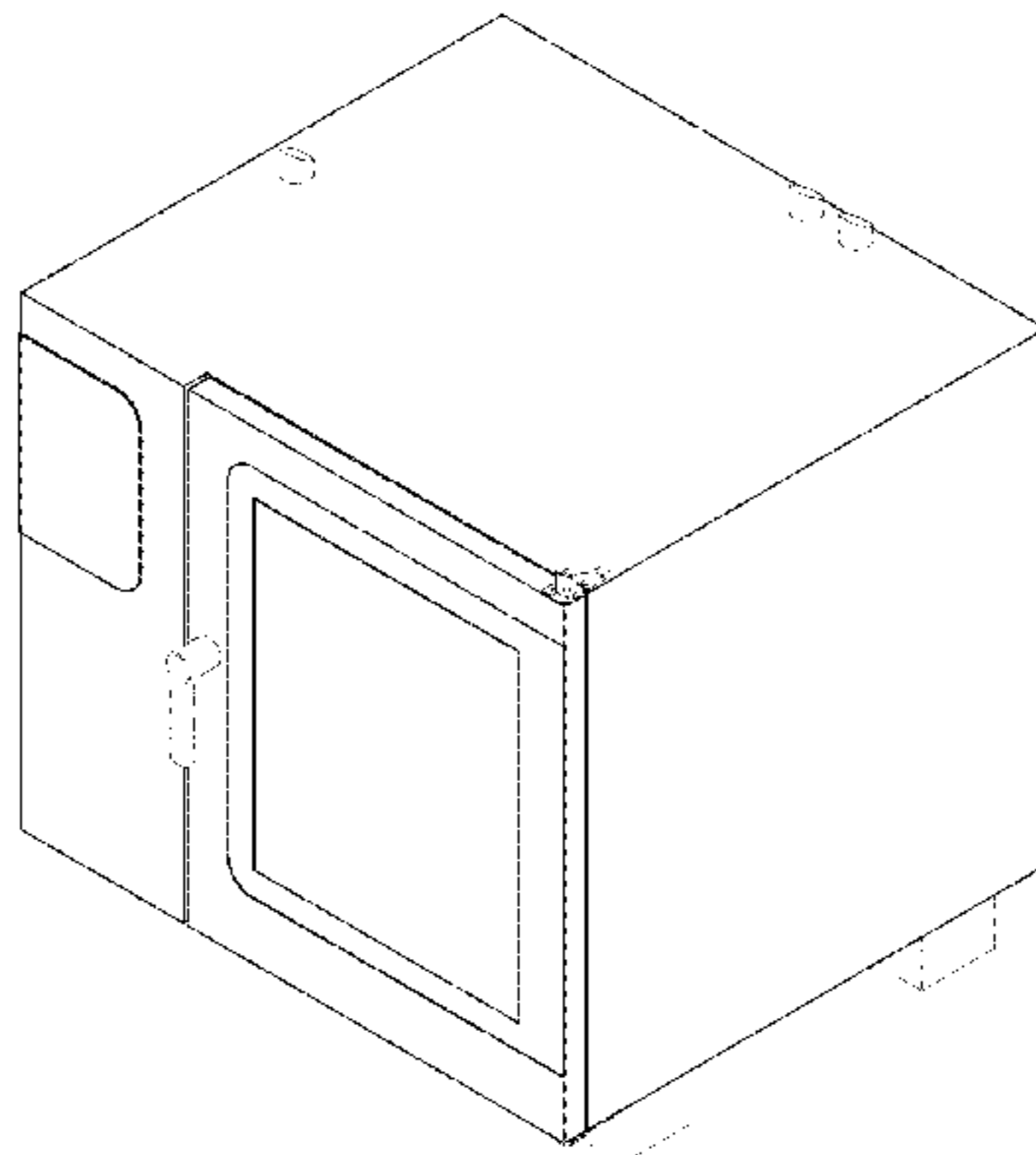
CPC A21B 2/00; A47J 37/00; A47J 37/06;
A47J 37/0611; A47J 37/08; A47J 37/0807;
A47J 37/0814; A47J 37/0835; A47J 37/0842;
A47J 37/085; A47J 37/0864; A47J 37/0878;
A47J 37/0885; A47J 37/0892; F24C 15/10;
F24C 15/102

See application file for complete search history.

FIG. 1 is a top, front, side perspective view of a combi oven with single plate according to the present design;
FIG. 2 is a front view of the combi oven with single plate of FIG. 1;
FIG. 3 is a rear view of the combi oven with single plate of FIG. 1;
FIG. 4 is a right side view of the combi oven with single plate of FIG. 1;
FIG. 5 is a left side view of the combi oven with single plate of FIG. 1;
FIG. 6 is a top view of the combi oven with single plate of FIG. 1; and,
FIG. 7 is a bottom view of the combi oven with single plate of FIG. 1.

The broken line showing of FIGS. 1-7 is for the purpose of illustrating environmental structure and forms no part of the claimed design.

1 Claim, 7 Drawing Sheets



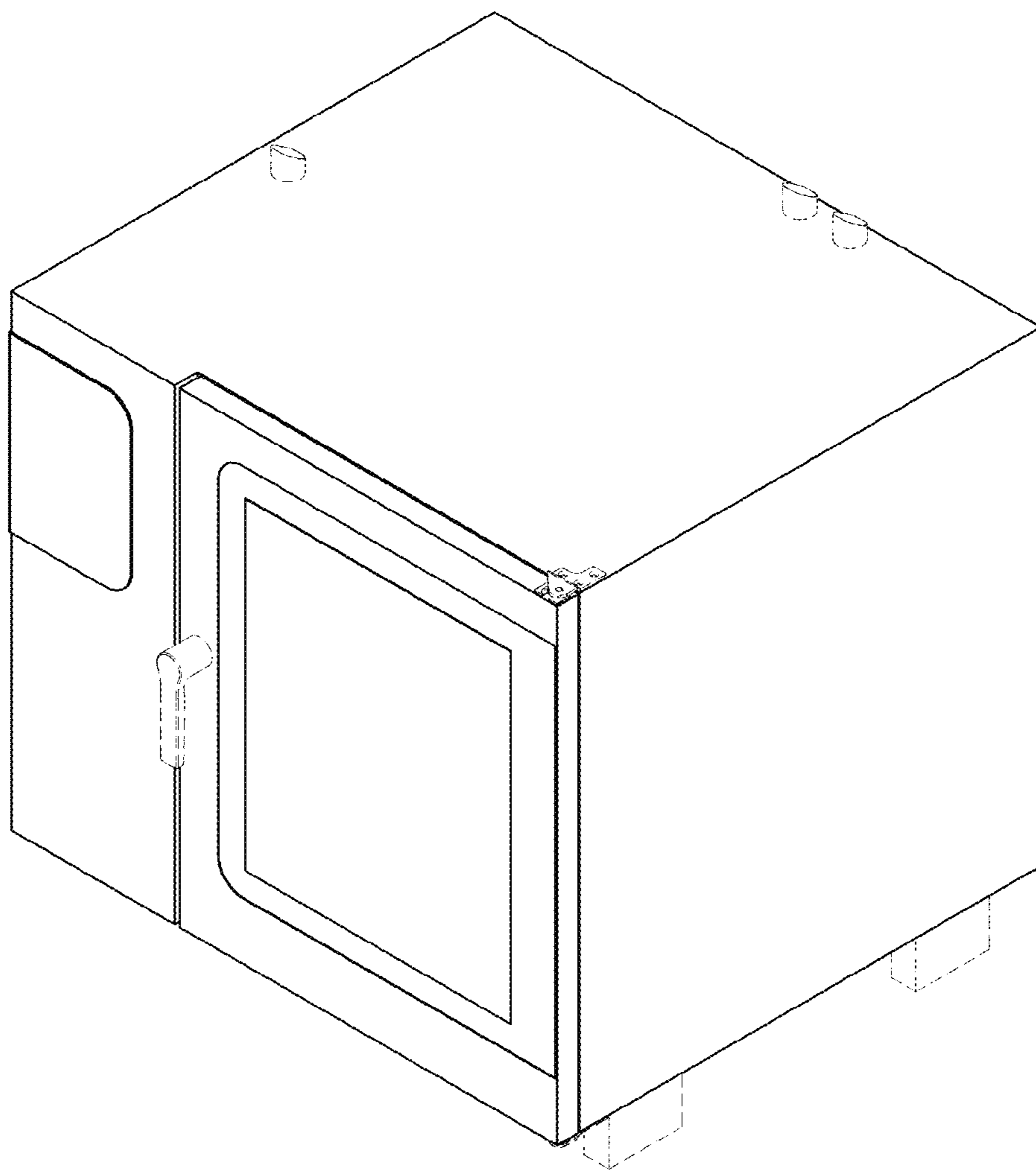


FIG. 1

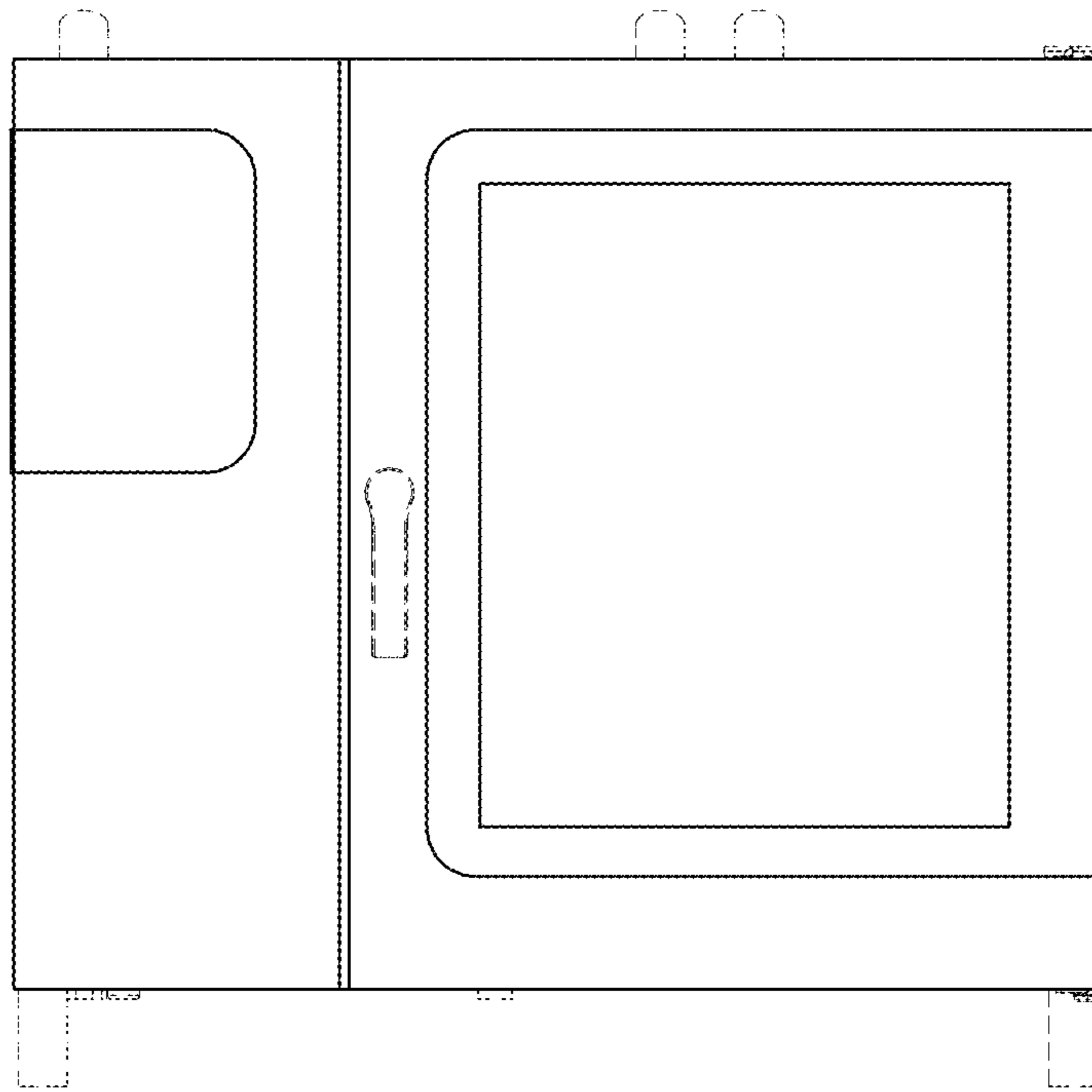


FIG. 2

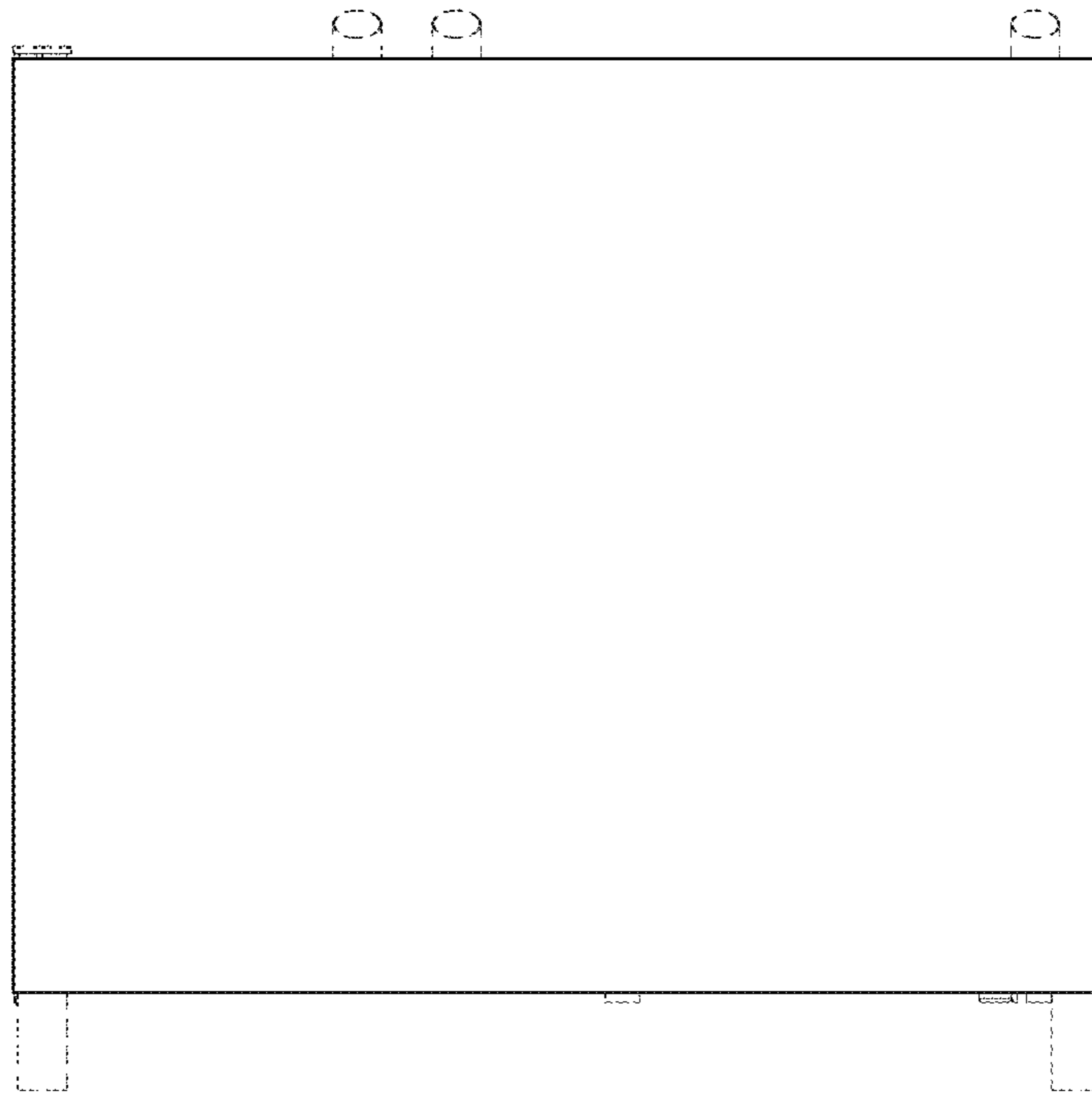


FIG. 3

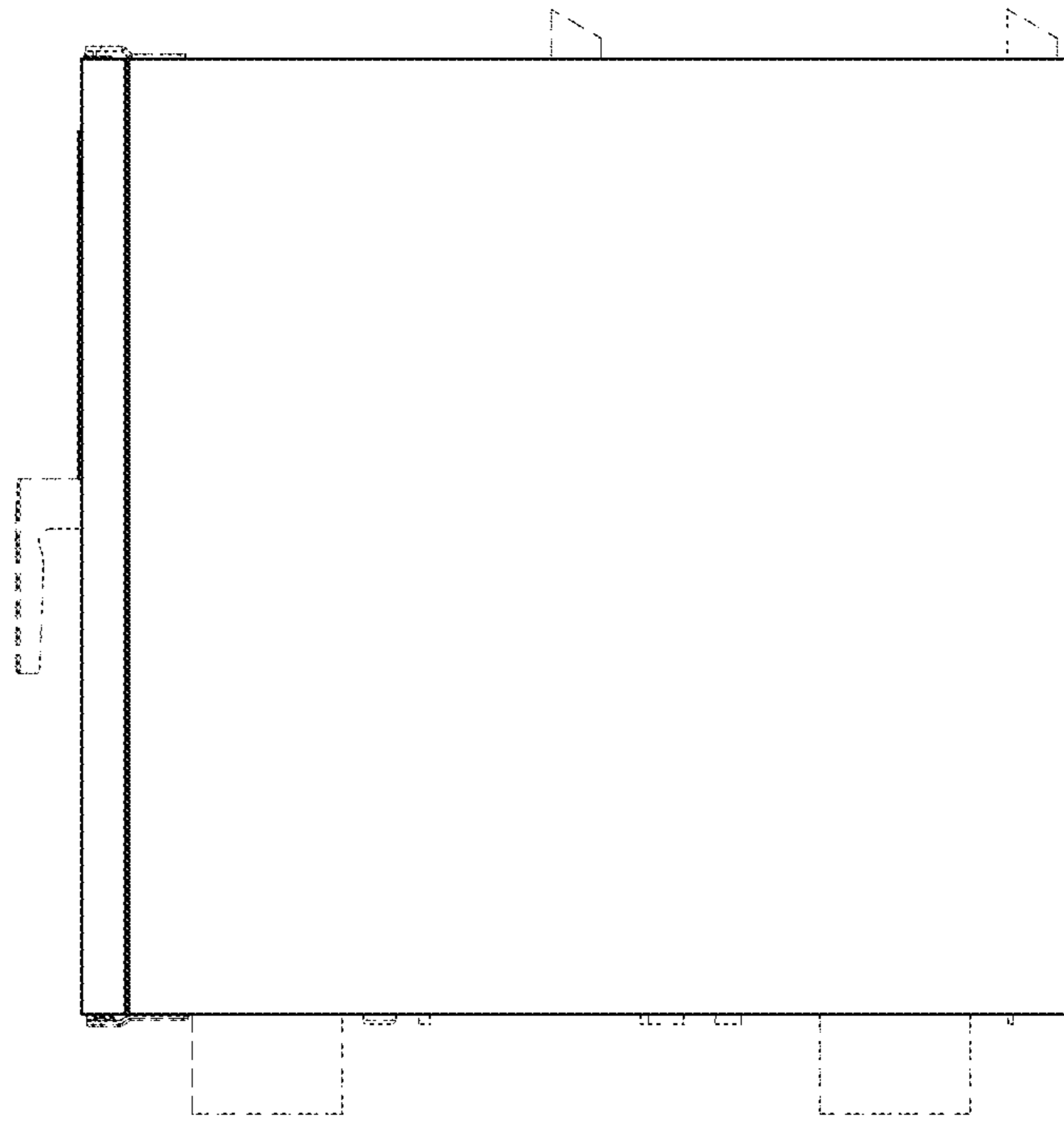


FIG. 4

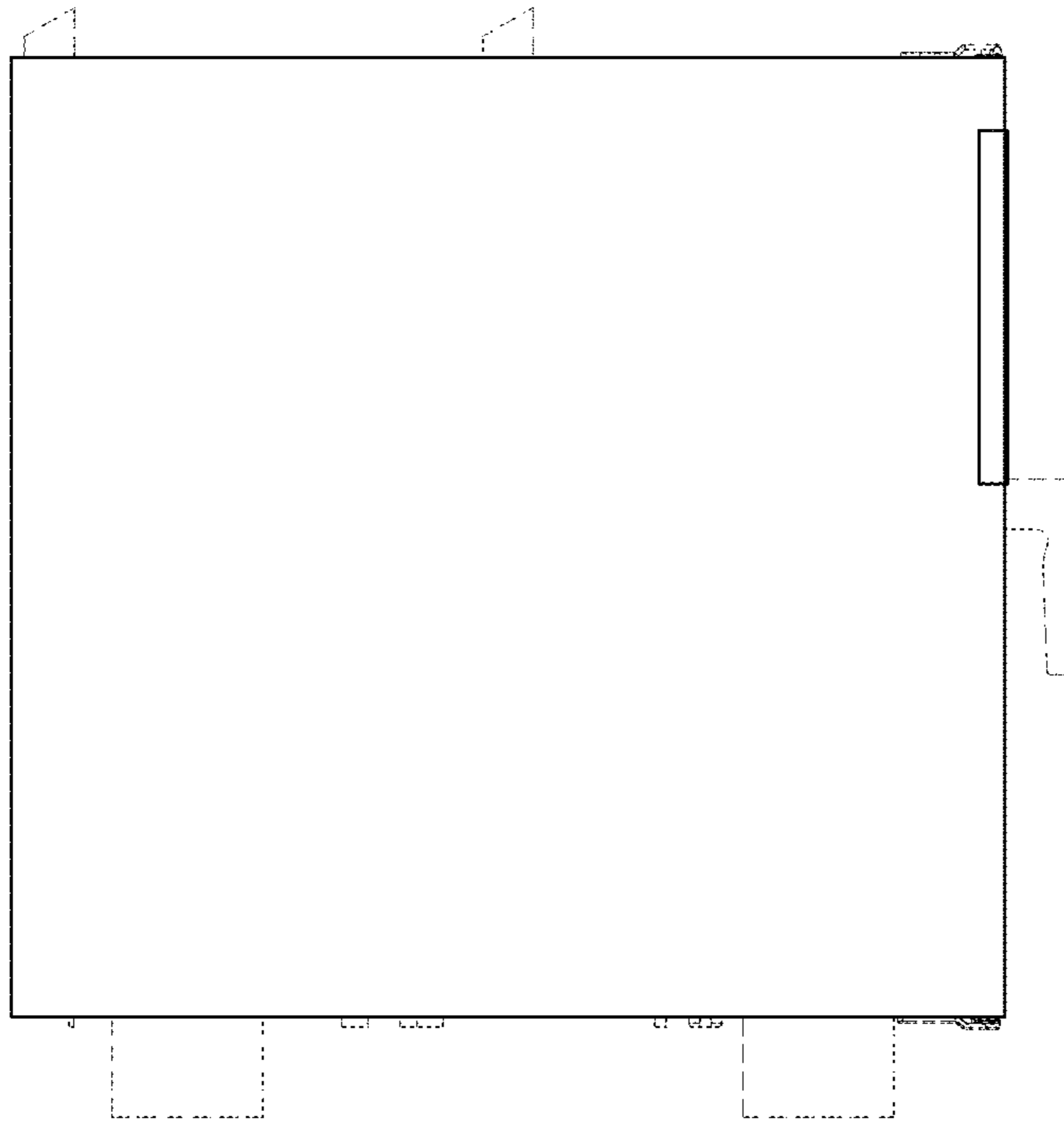


FIG. 5

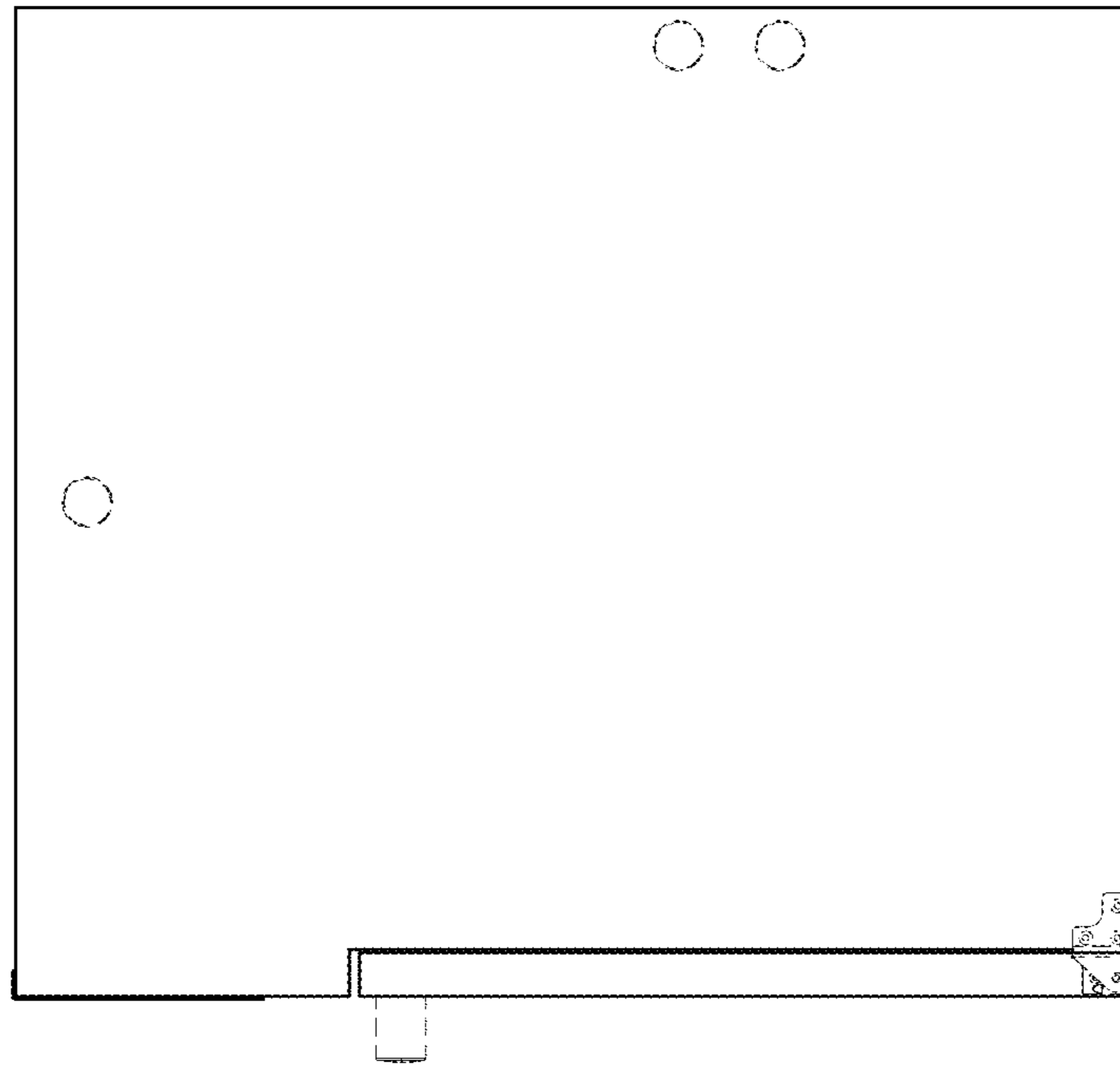


FIG. 6

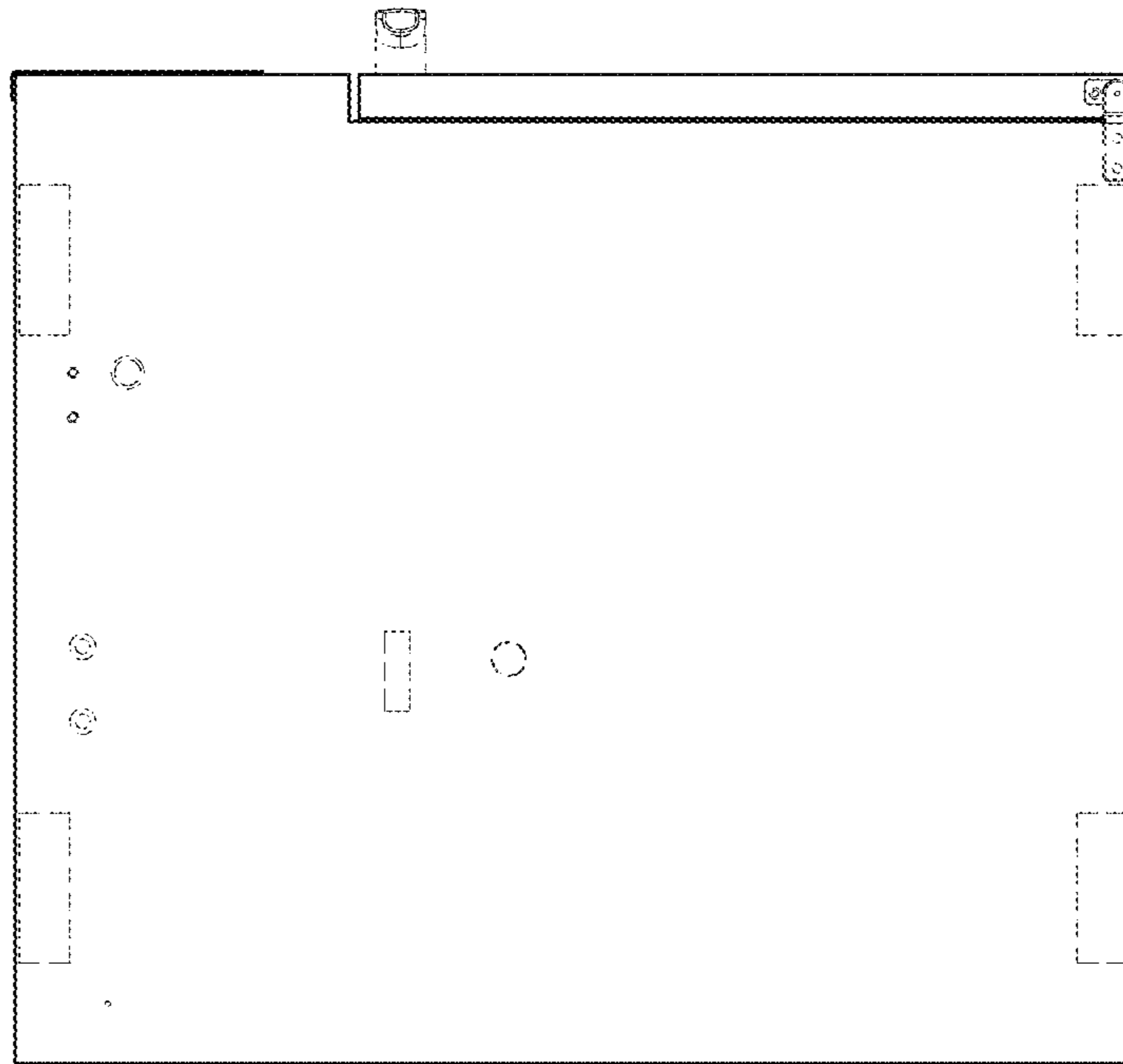


FIG. 7