



US00D757471S

(12) **United States Design Patent**
Domingo

(10) **Patent No.:** **US D757,471 S**

(45) **Date of Patent:** **** *May 31, 2016**

(54) **FOLDING TABLE**

(71) Applicant: **MAXCHIEF EUROPE, S.L.**,
Barcelona (ES)

(72) Inventor: **Joan Chavarria Domingo**, Barcelona
(ES)

(73) Assignee: **MAXCHIEF EUROPE, S.L.**,
Barcelona (ES)

(*) Notice: This patent is subject to a terminal disclaimer.

(**) Term: **14 Years**

(21) Appl. No.: **29/475,320**

(22) Filed: **Dec. 2, 2013**

(51) **LOC (10) Cl.** **06-03**

(52) **U.S. Cl.**
USPC **D6/691; D6/691.6**

(58) **Field of Classification Search**
USPC D6/641, 656, 656.1, 656.13, 656.15,
D6/656.16, 656.17, 656.18, 691, 691.4,
D6/691.5, 691.6
CPC A47B 2200/0027; A47B 2200/0029;
A47B 17/00; A47B 17/003; A47B 21/00;
A47B 21/02; A47B 2097/006; A47B 17/02;
A47B 9/20; A47B 9/00; A47B 85/02; A47B
41/02; A47B 9/08; A47B 9/04; A47B 9/02;
A47B 9/10; A47B 3/00; A47B 3/087; A47B
3/091

See application file for complete search history.

(56) **References Cited**

U.S. PATENT DOCUMENTS

1,287,444 A *	12/1918	Rudy	108/36
2,618,524 A *	11/1952	Hoffmann	108/36
D286,479 S *	11/1986	Marchesini	D6/484
4,927,128 A *	5/1990	O'Brian	5/611
D437,145 S *	2/2001	Leng	D6/429
D454,732 S *	3/2002	Frenkler et al.	D6/480
D515,841 S *	2/2006	Hsu	D6/429
D620,286 S *	7/2010	Carmon	D6/480

* cited by examiner

Primary Examiner — Janice Seeger

(74) *Attorney, Agent, or Firm* — Baker and Rannells, PA

(57) **CLAIM**

The ornamental design for a folding table, as shown and described.

DESCRIPTION

FIG. 1 is a front, left side perspective view showing my new design, wherein the back, left side perspective view is a mirror image thereof;

FIG. 2 is a top plan view thereof;

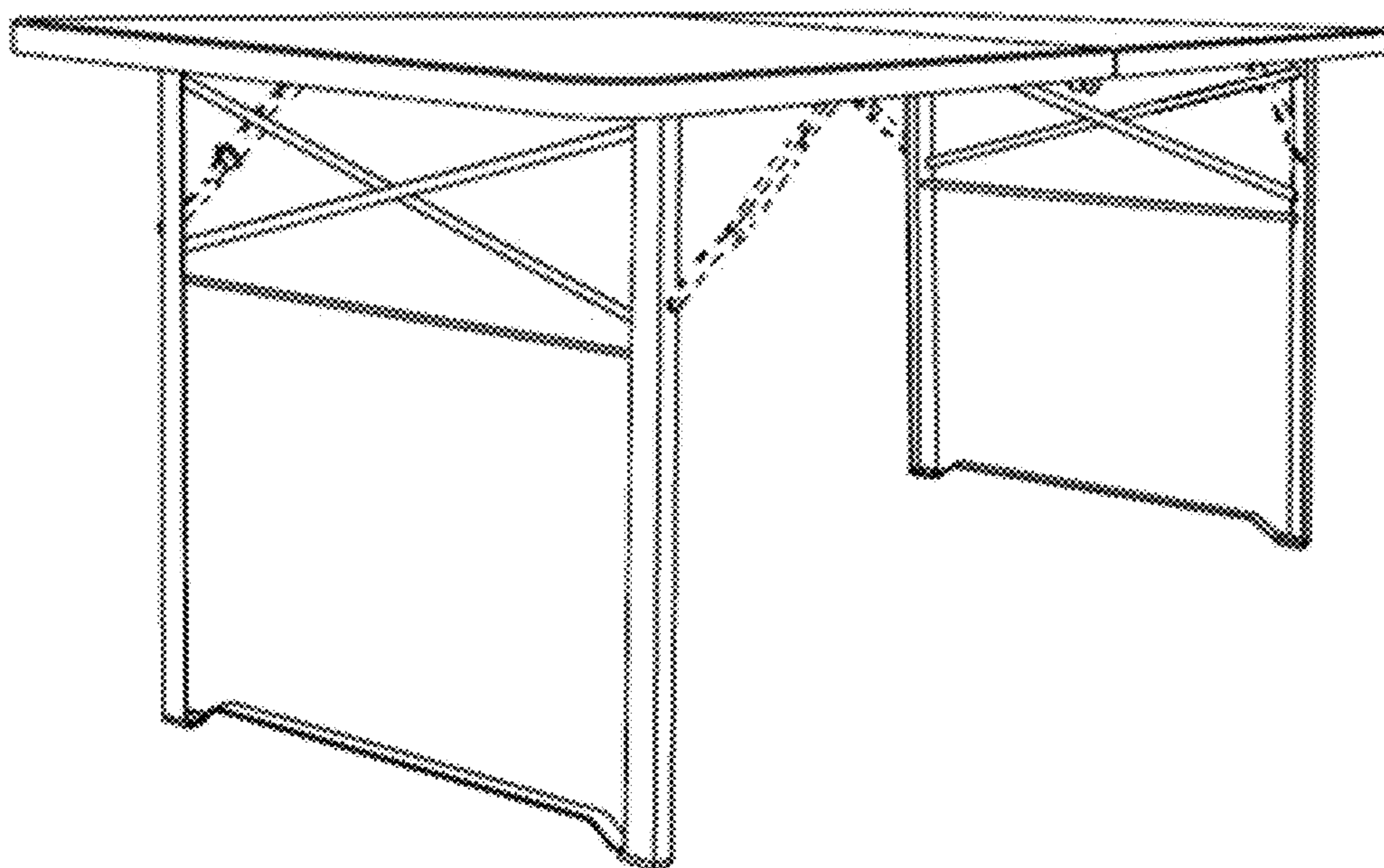
FIG. 3 is a front elevation view thereof, wherein the back elevation view is a mirror image thereof;

FIG. 4 is a left side elevation view thereof, wherein the right side elevation view is a mirror image thereof; and,

FIG. 5 is a front elevation view thereof, wherein the back elevation view is a mirror image thereof, and wherein the embodiment of FIG. 5 is in a partially collapsed configuration.

The broken lines are for environmental purposes only and form no part of the claimed design.

1 Claim, 3 Drawing Sheets



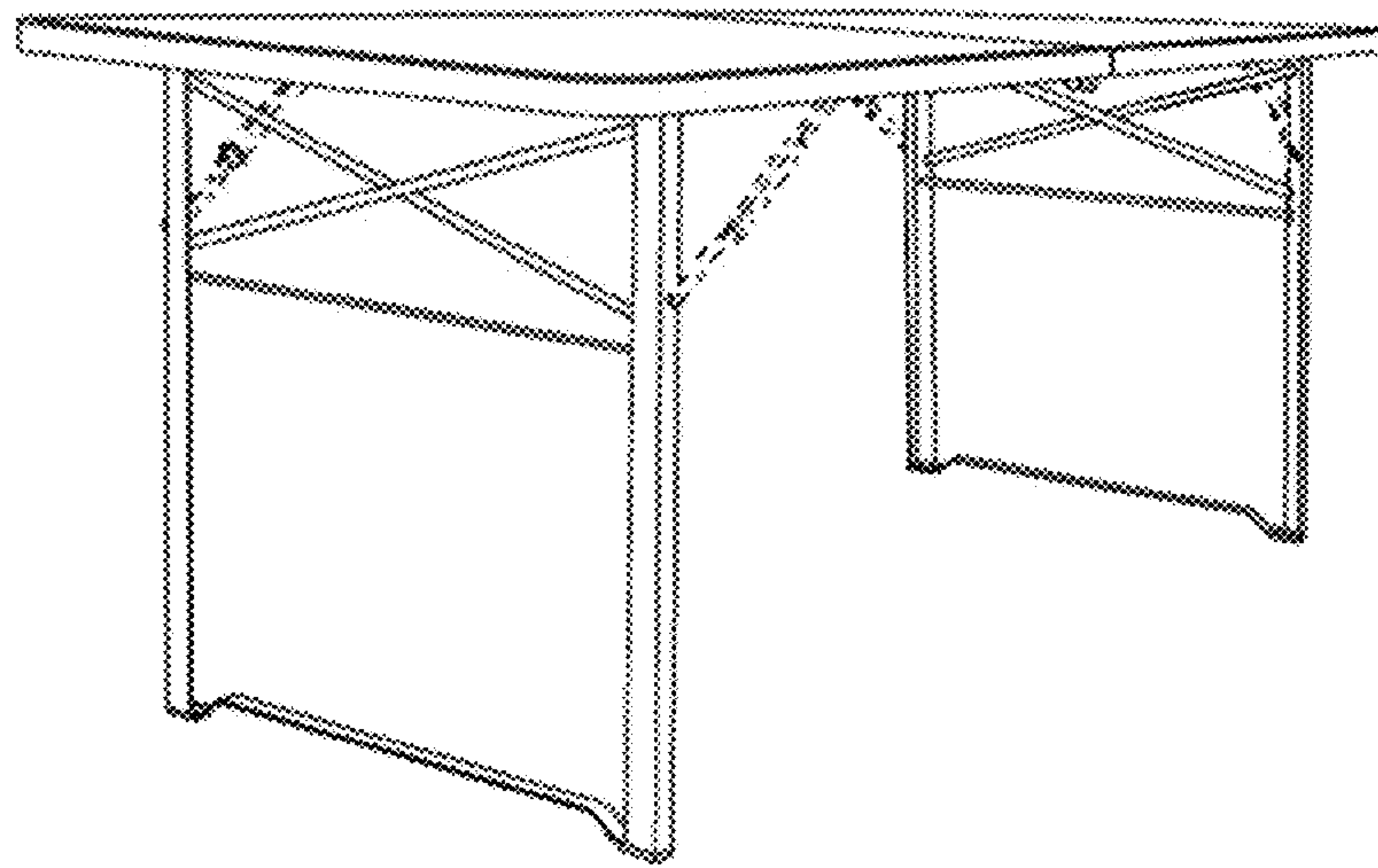


FIG. 1

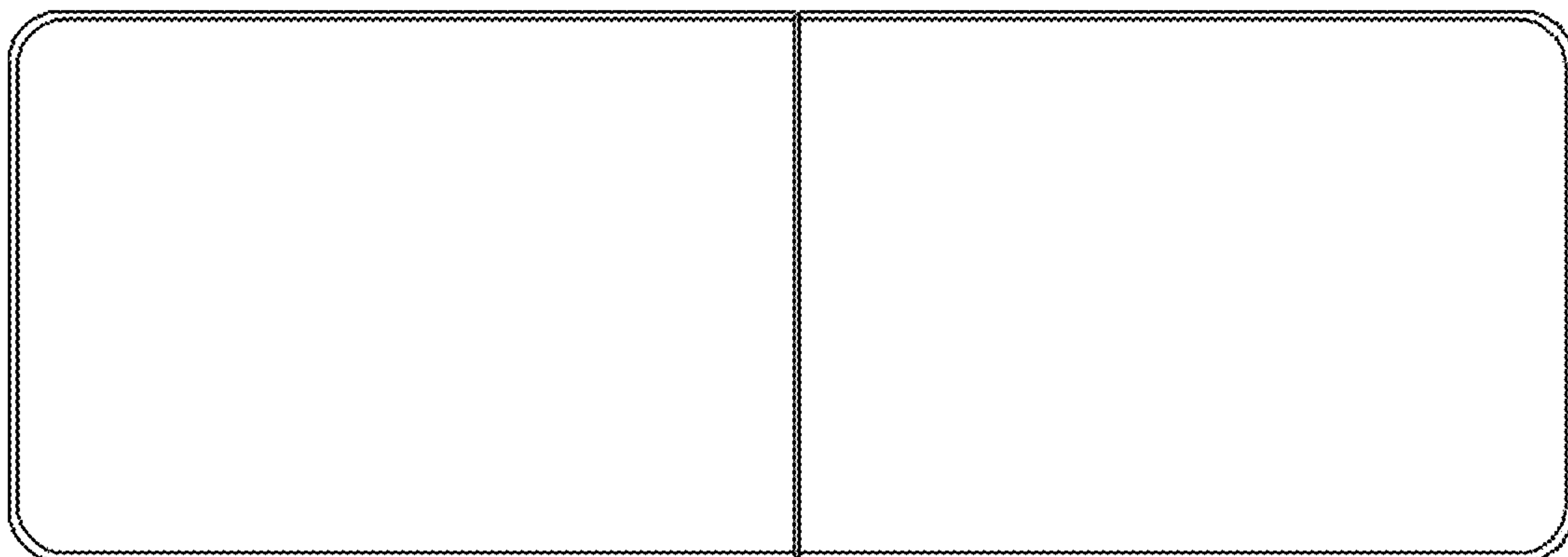


FIG. 2

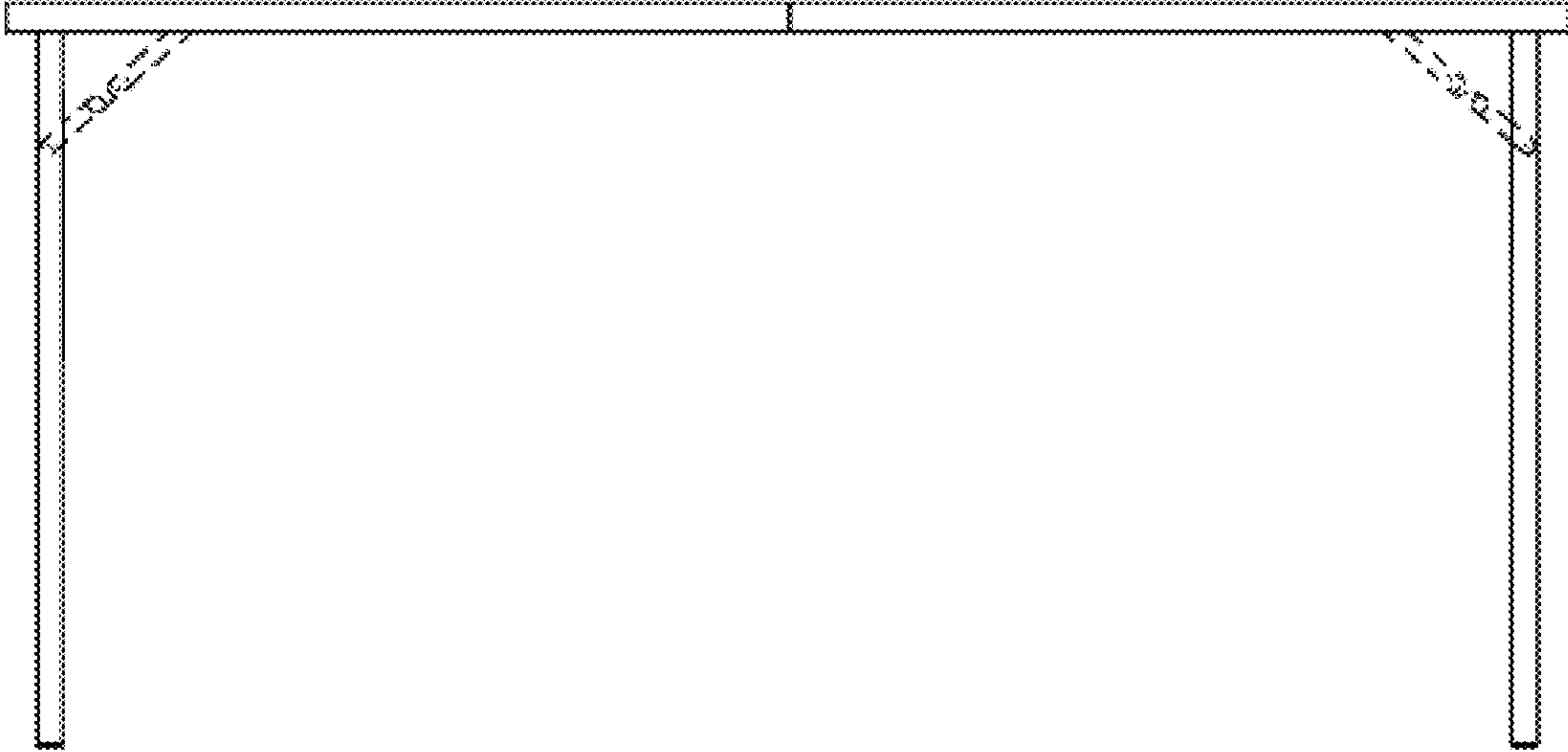


FIG. 3

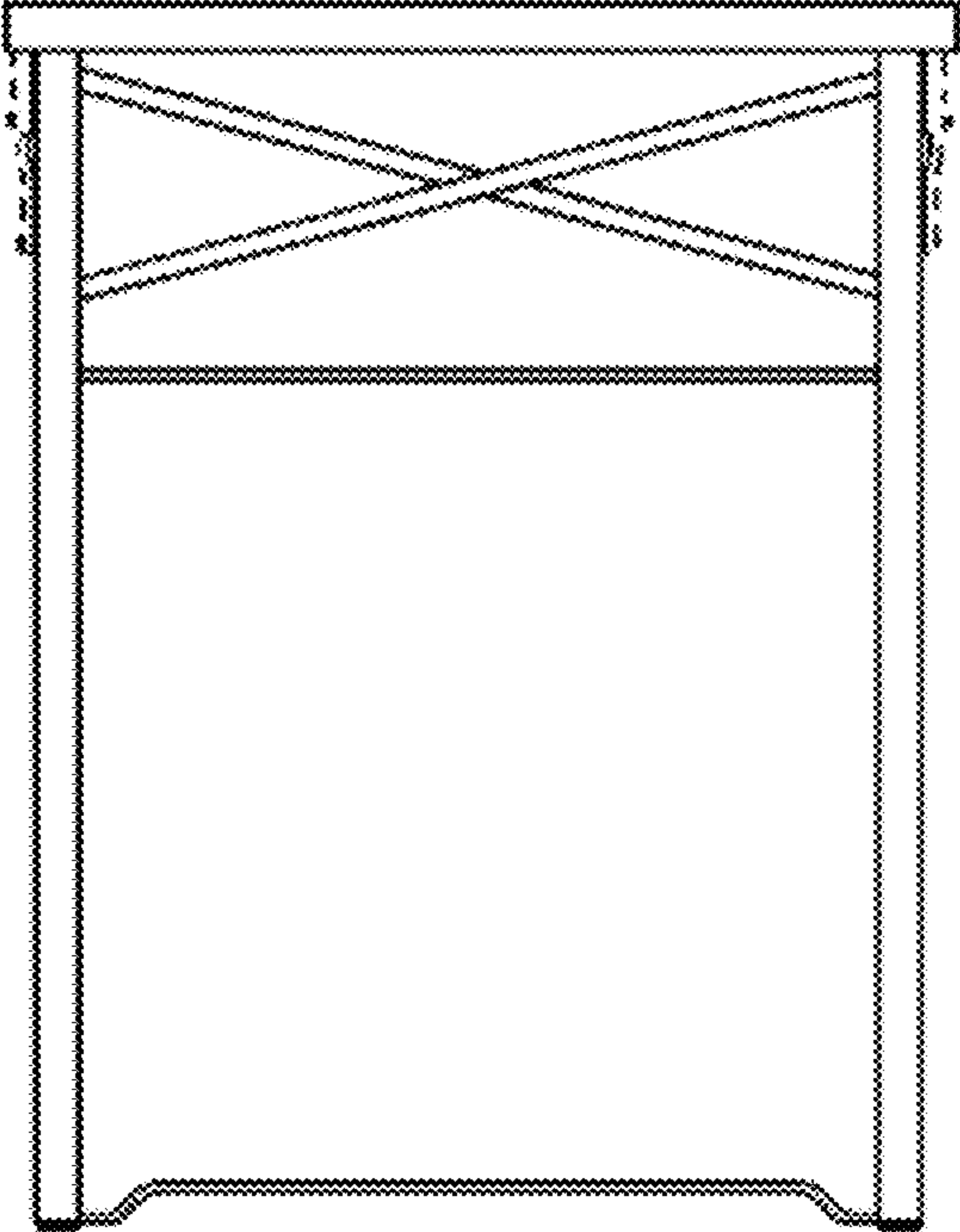


FIG. 4

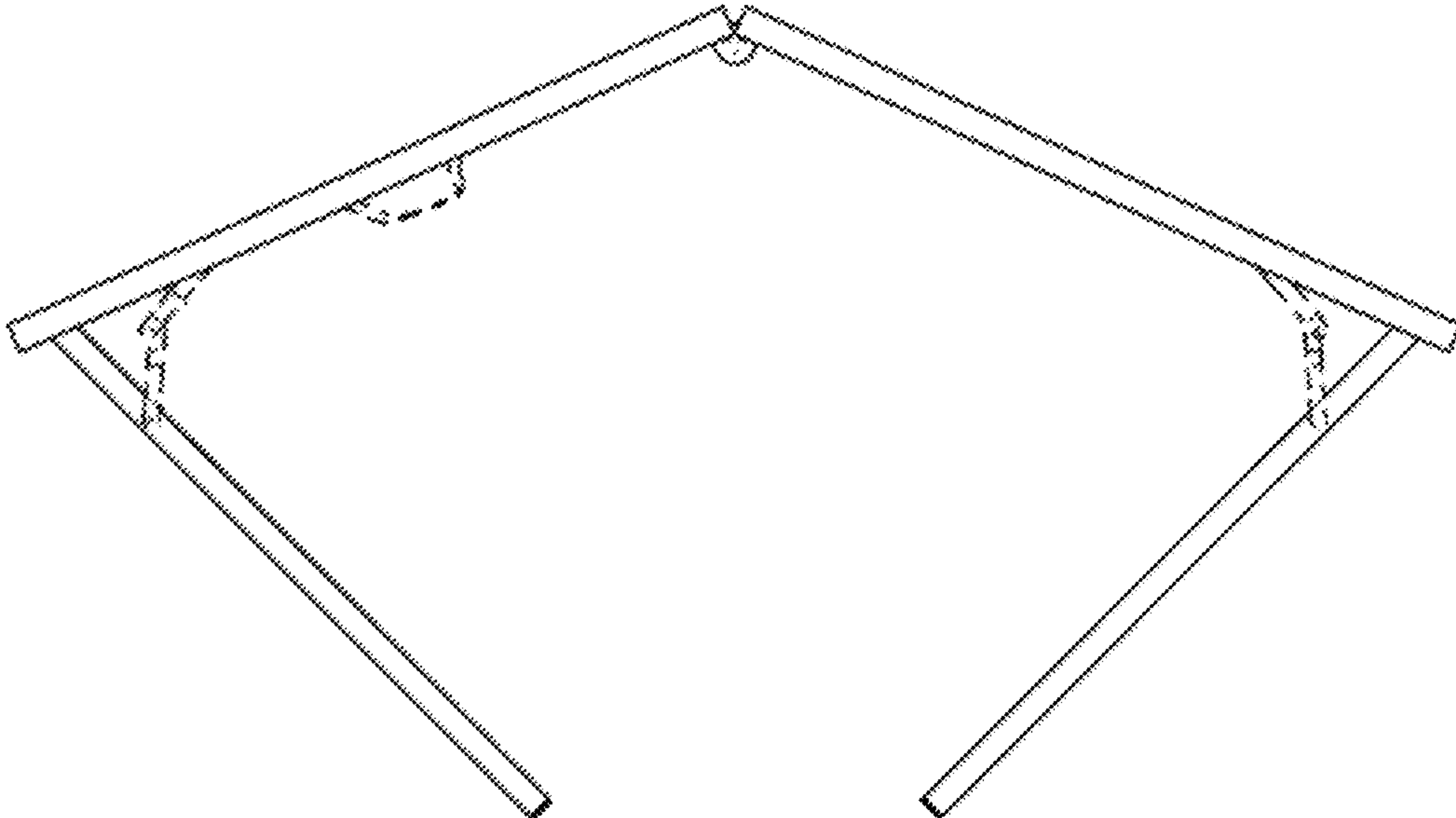


FIG. 5