



US00D757470S

(12) **United States Design Patent**  
**Pedersen et al.**

(10) **Patent No.:** **US D757,470 S**

(45) **Date of Patent:** **\*\* May 31, 2016**

(54) **TABLE**

(71) Applicant: **Target Brands, Inc.**, Minneapolis, MN (US)

(72) Inventors: **Sara L. Pedersen**, Minneapolis, MN (US); **Chad M. Bogdan**, St. Paul, MN (US); **Zachary S. Bloch**, Minneapolis, MN (US); **Kirk E. Morris**, Minneapolis, MN (US); **Katherine R. Wittenberg**, St. Paul, MN (US); **George K. Smithwick**, Blaine, MN (US)

(73) Assignee: **Target Brands, Inc.**, Minneapolis, MN (US)

(\*\*) Term: **14 Years**

(21) Appl. No.: **29/489,481**

(22) Filed: **Apr. 30, 2014**

(51) **LOC (10) Cl.** ..... **06-03**

(52) **U.S. Cl.**  
USPC ..... **D6/686**; D6/691

(58) **Field of Classification Search**  
USPC ..... D6/708, 708.16, 691, 691.6, 692, 692.4, D6/691.1  
CPC .. A47B 13/02; A47B 2013/024; A47B 13/06; A47B 2013/022; A47B 2200/012; A47B 1/00; A47B 1/02; A47B 3/00; A47B 2003/0806; A47B 1/04; A47B 1/03  
See application file for complete search history.

(56) **References Cited**

**U.S. PATENT DOCUMENTS**

- 1,513,150 A \* 10/1924 Beaudett ..... A47B 1/04 108/79
- D153,739 S \* 5/1949 Wallance ..... D6/686
- D182,910 S \* 5/1958 Lubberts et al. .... D6/686

- D293,862 S \* 1/1988 Hubert ..... D6/691.1
- D448,211 S \* 9/2001 Schulte ..... D6/686
- D462,196 S \* 9/2002 Holub ..... D6/691.6
- D475,869 S \* 6/2003 Jackson ..... D6/691.1
- 2003/0019404 A1\* 1/2003 Liu ..... A47B 1/04 108/77

**OTHER PUBLICATIONS**

Crate&Barrel, "Alfresco Grey Rectangular Dining Table," <http://www.crateandbarrel.com/alfresco-grey-rectangular-dining-table/s580752>, at least as early as Jul. 2013, 1 page.

(Continued)

*Primary Examiner* — Janice Seeger

(74) *Attorney, Agent, or Firm* — Leanne Taveggia Farrell; Westman, Champlin & Koehler, P.A.

(57) **CLAIM**

The ornamental design for a table, as shown and described.

**DESCRIPTION**

FIG. 1 is a perspective view of a table showing our new design;

FIG. 2 is a front view thereof, the back view being identical;

FIG. 3 is a right side view thereof, the left side view being identical;

FIG. 4 is a top view thereof;

FIG. 5 is a bottom view thereof;

FIG. 6 is a perspective view of the table of FIG. 1 in an alternative position;

FIG. 7 is a front view of FIG. 6, the back view being identical;

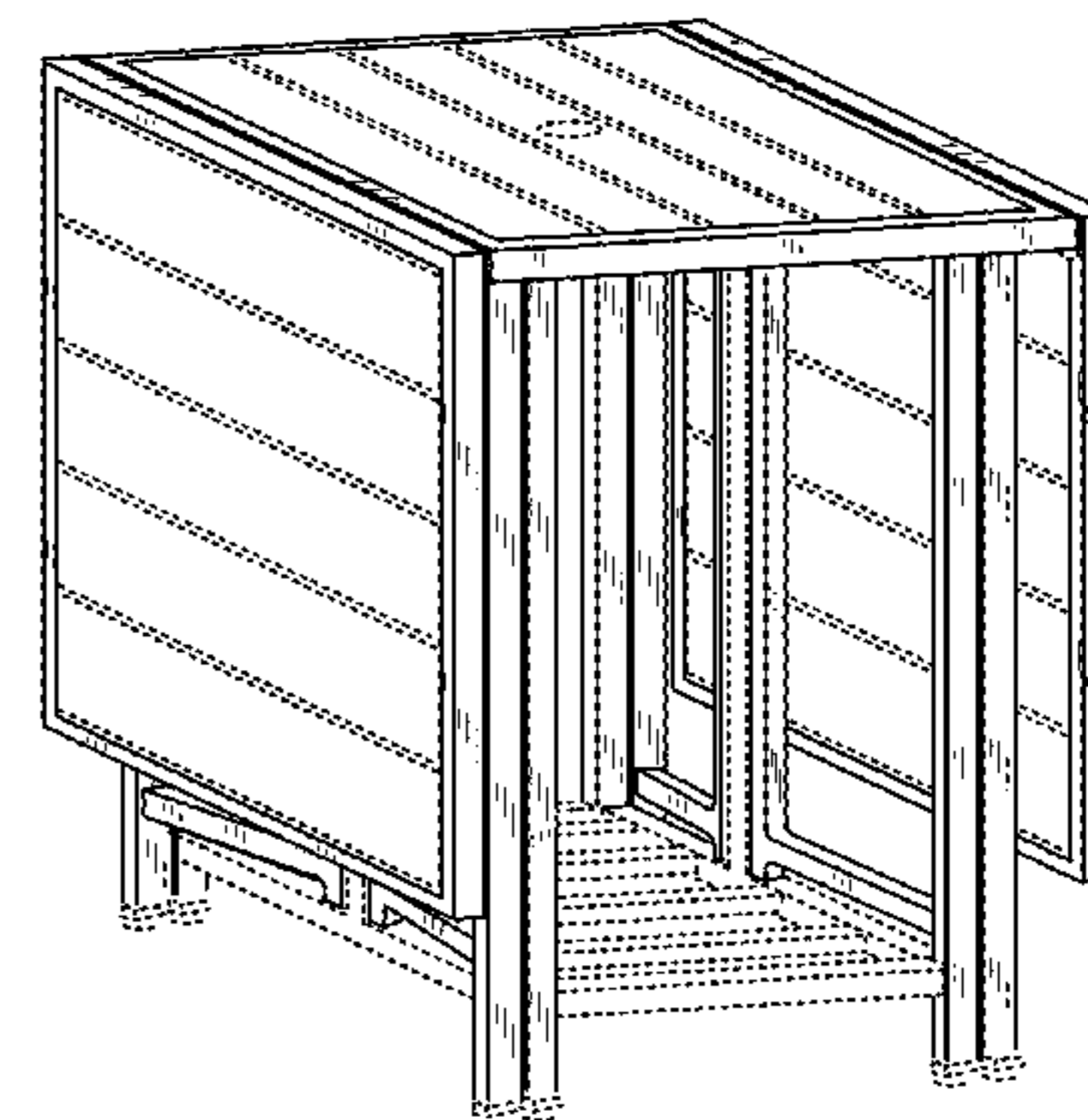
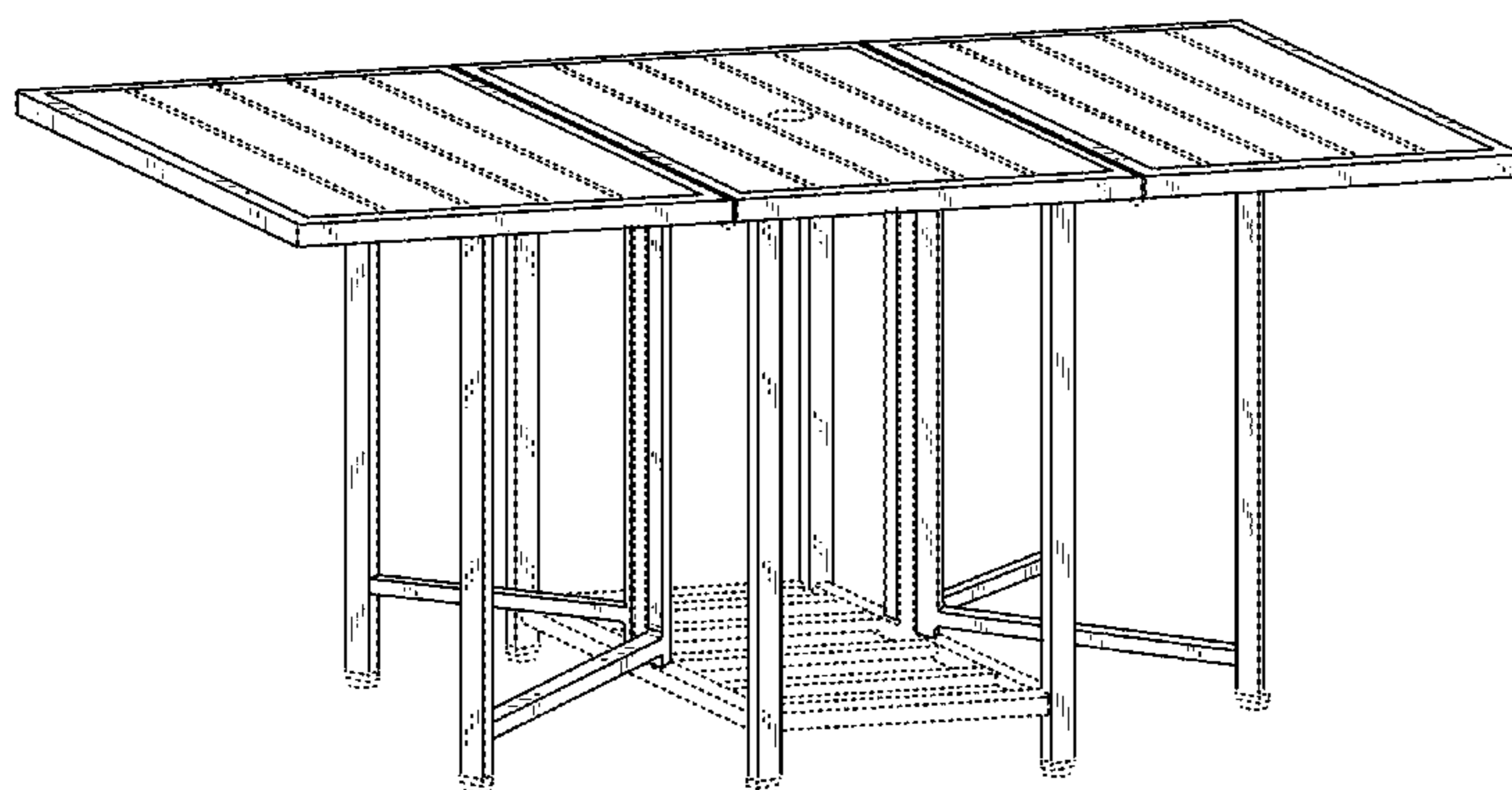
FIG. 8 is a right side view of FIG. 6, the left side view being identical;

FIG. 9 is a top view of FIG. 6; and,

FIG. 10 is a bottom view of FIG. 6.

The broken lines illustrating portions of the table form no part of the claimed design.

**1 Claim, 10 Drawing Sheets**



(56)

**References Cited**

OTHER PUBLICATIONS

Target, "Bryant Folding Bistro Table," [http://www.target.com/p/threshold-bryant-32-folding-bistro-table/-/A-14219807?reco=Rec|pdp|14219807|ClickCP|item\\_page.new\\_vertical\\_1&Ink=Rec|pdp|ClickCP|item\\_page.new\\_vertical\\_1](http://www.target.com/p/threshold-bryant-32-folding-bistro-table/-/A-14219807?reco=Rec|pdp|14219807|ClickCP|item_page.new_vertical_1&Ink=Rec|pdp|ClickCP|item_page.new_vertical_1), at

least as early as Jul. 2013, 1 page.

Lowe's, "RST Outdoor 7-Piece Aluminum Patio Dining Set," [http://www.lowes.com/pd\\_416442-44981-OP-ALTS7-ZEN\\_4294736367%2B4294735825\\_?productId=4226389&Ns=p\\_product\\_qty\\_sales\\_dollar|1&pl=1&currentURL=%3FNs%3Dp\\_product\\_qty\\_sales\\_dollar%7C1&facetInfo=Dining](http://www.lowes.com/pd_416442-44981-OP-ALTS7-ZEN_4294736367%2B4294735825_?productId=4226389&Ns=p_product_qty_sales_dollar|1&pl=1&currentURL=%3FNs%3Dp_product_qty_sales_dollar%7C1&facetInfo=Dining), at least as

early as Jul. 2013, 1 page.

Office Action from Canadian Patent Application No. 157,185, mailed Dec. 2, 2014 (1 page).

\* cited by examiner

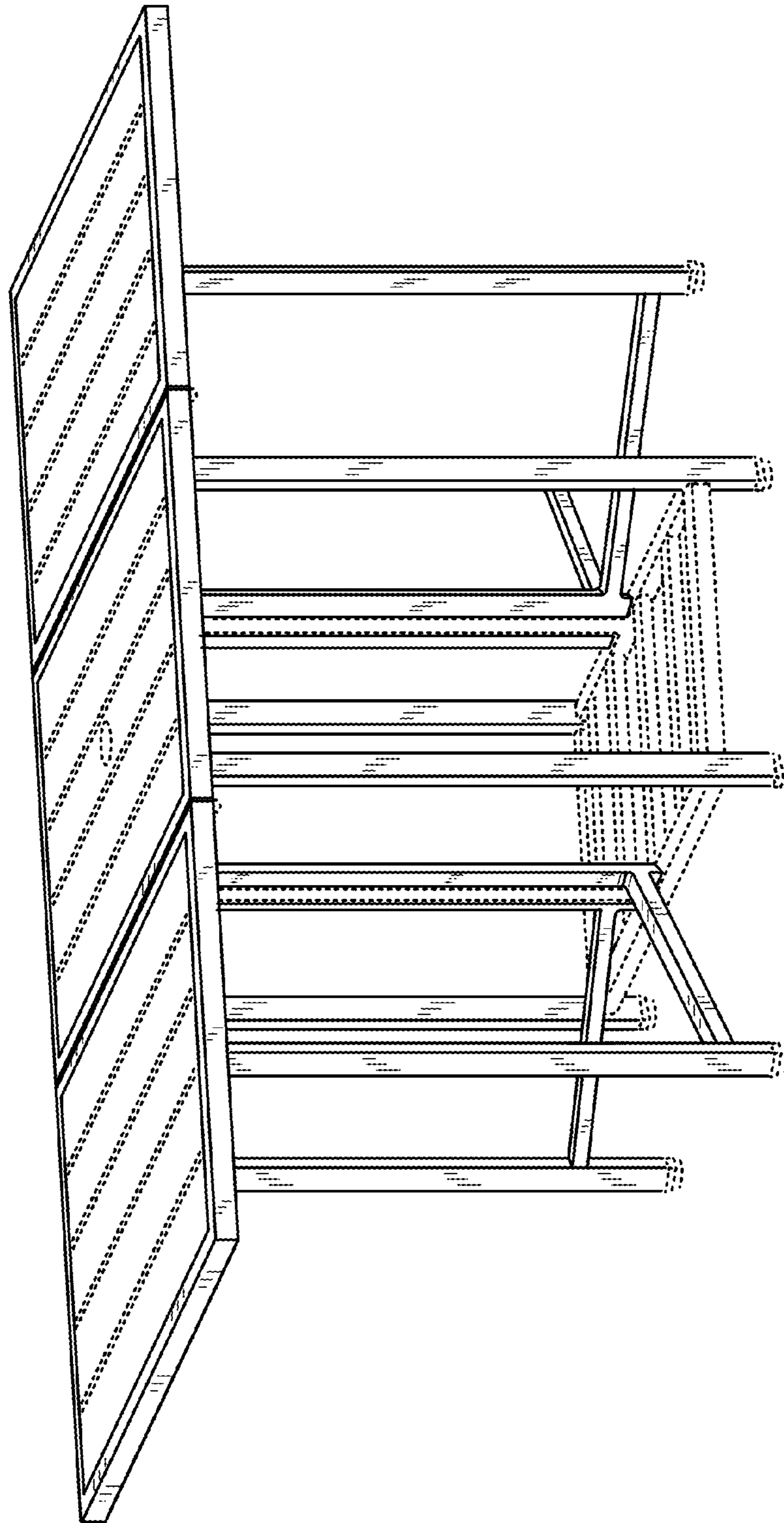


FIG. 1

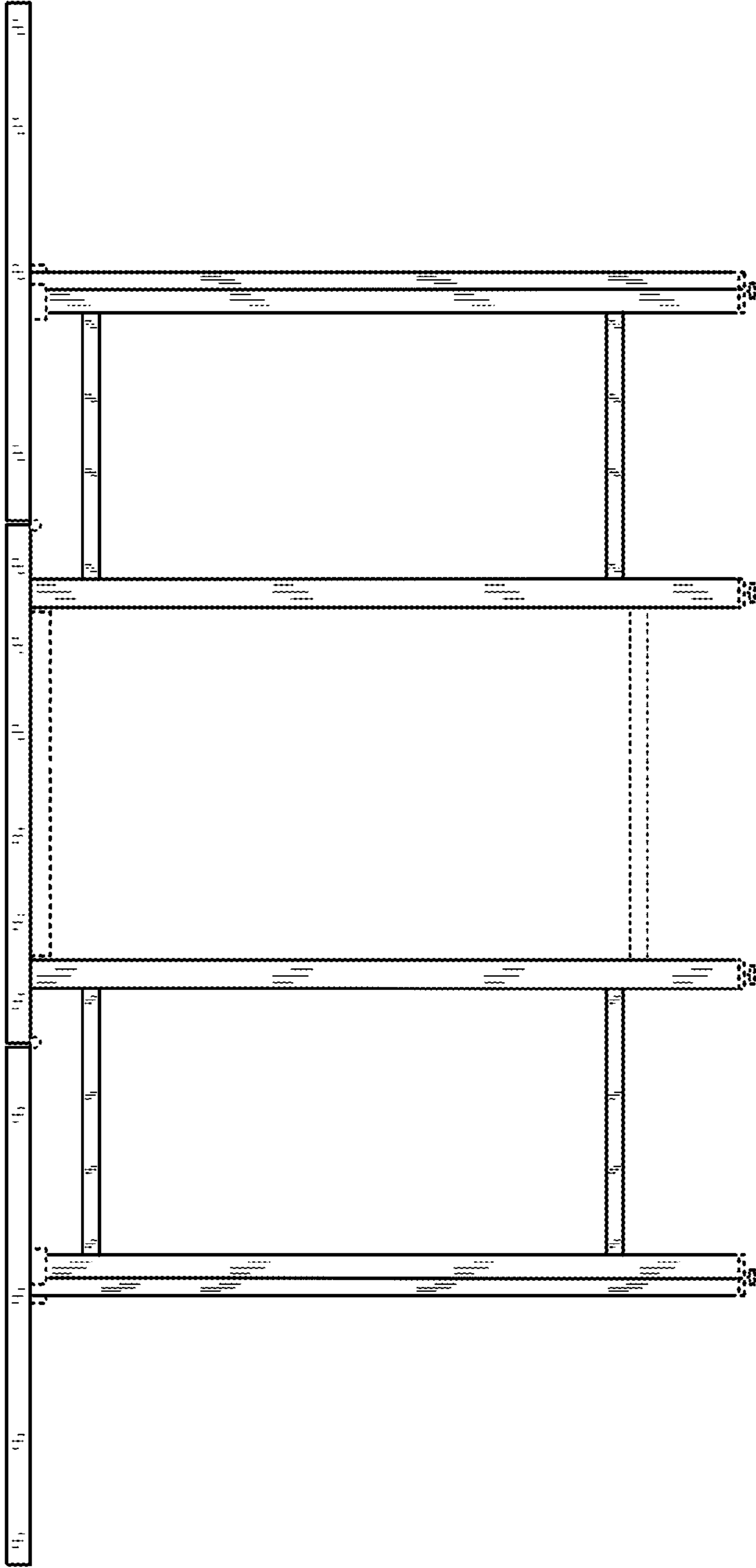


FIG. 2

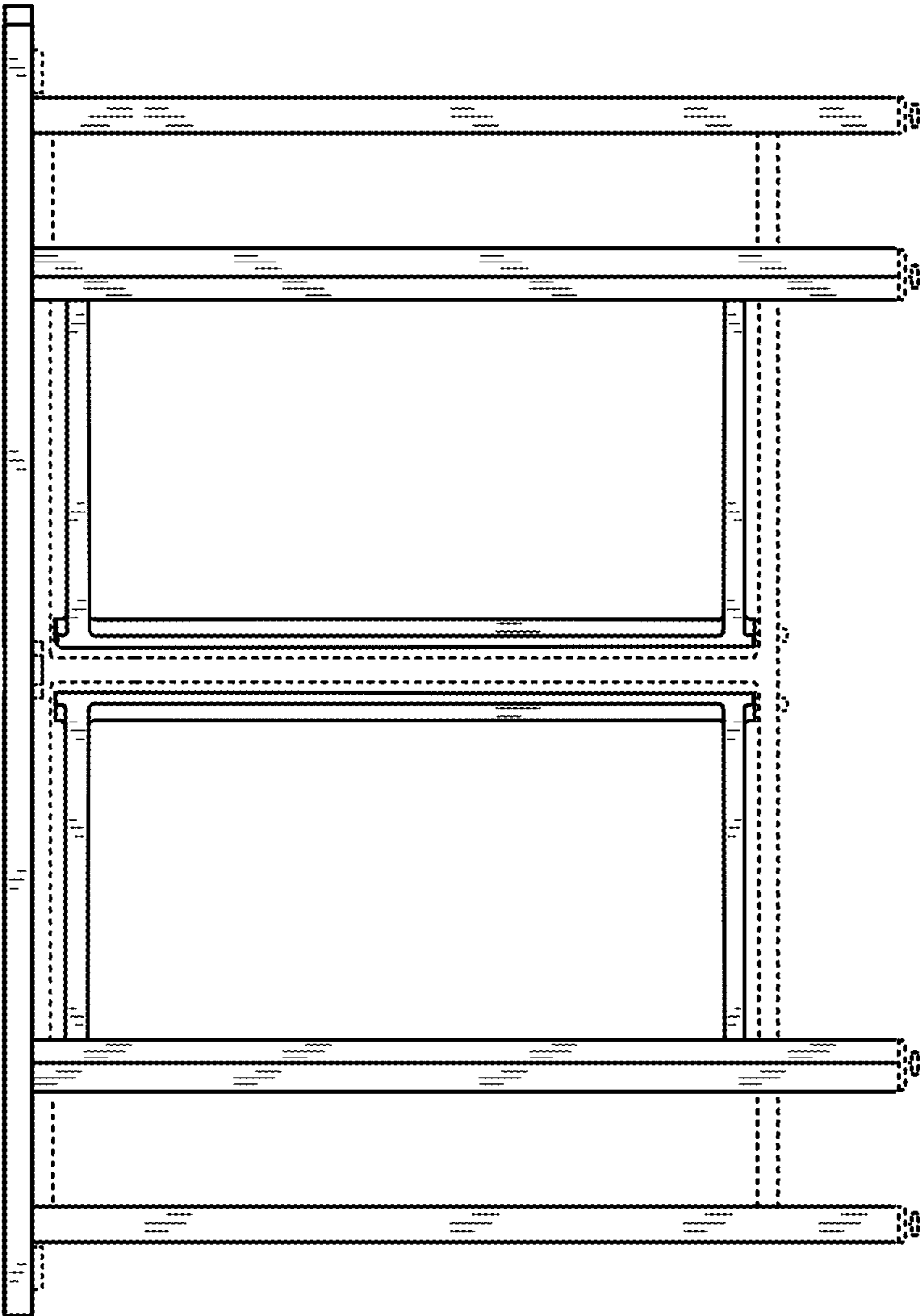


FIG. 3

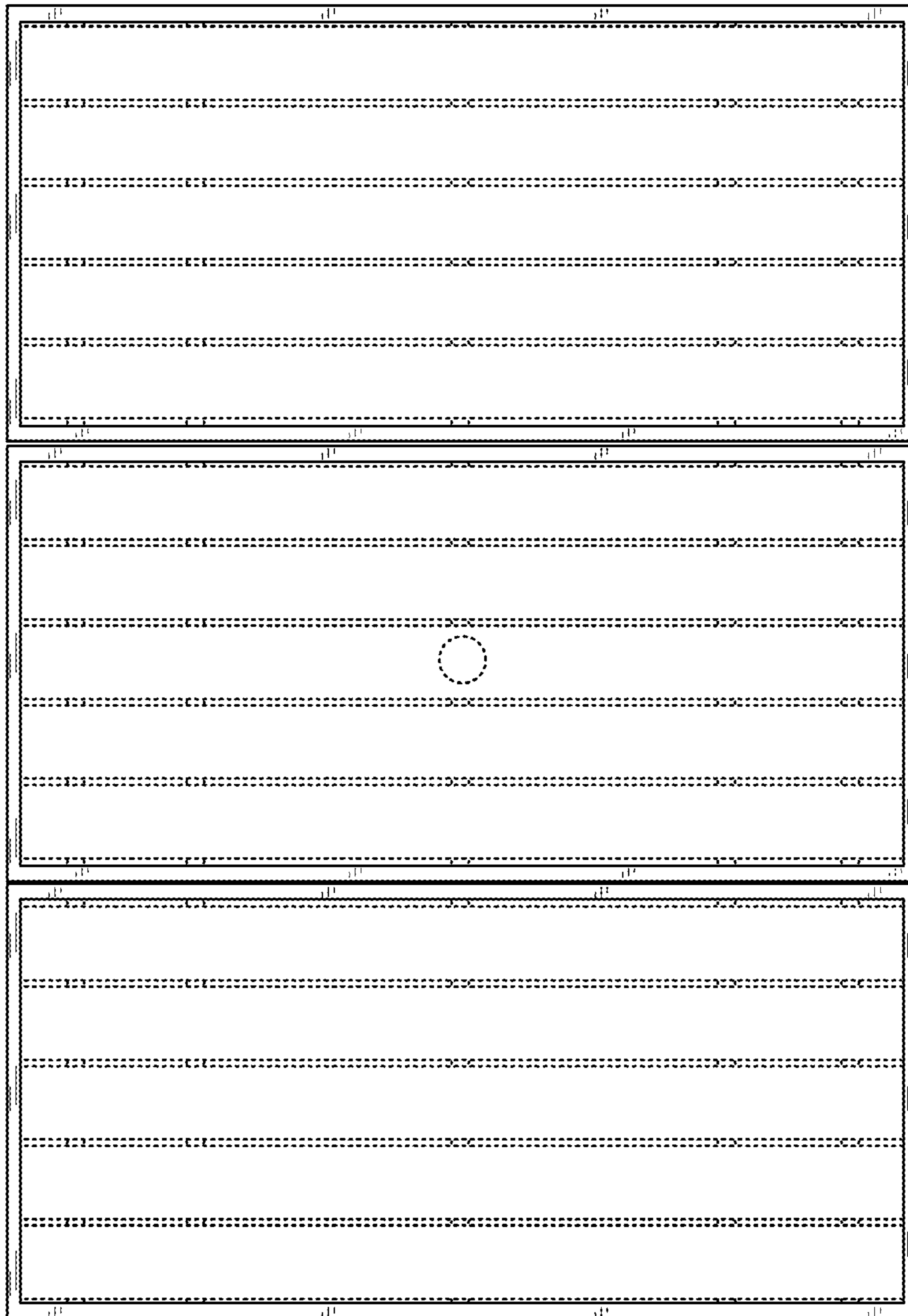


FIG. 4

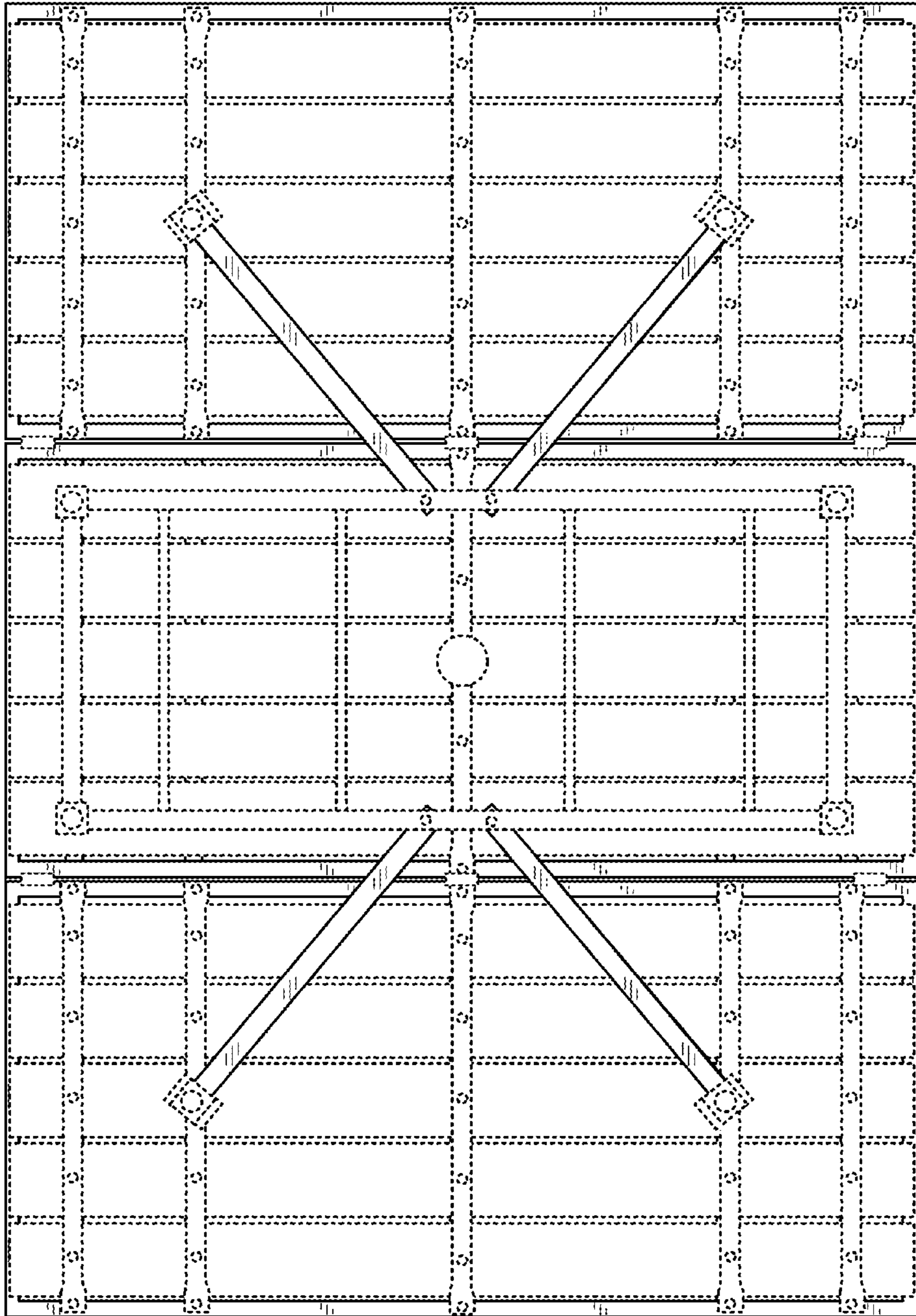


FIG. 5

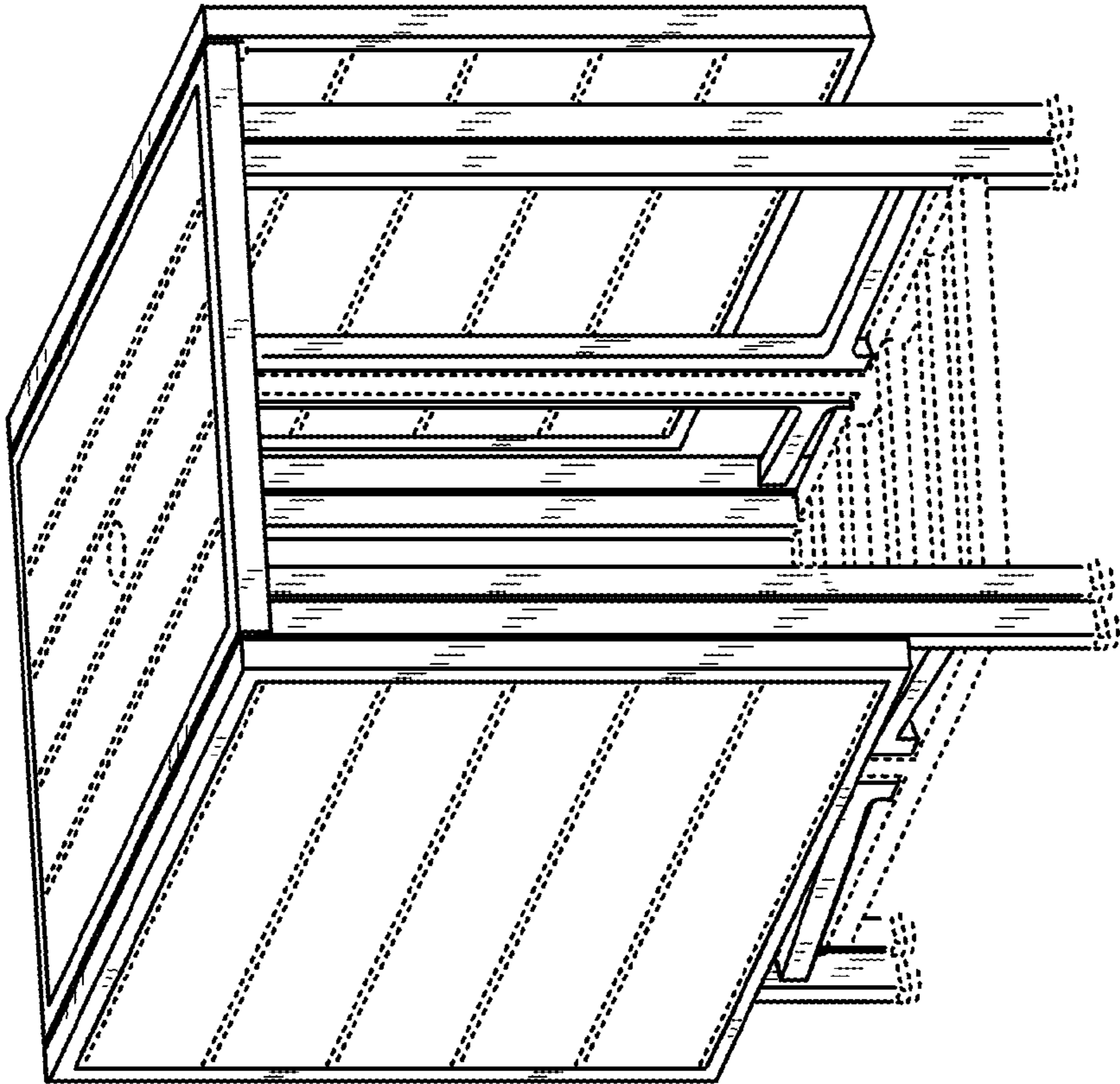


FIG. 6



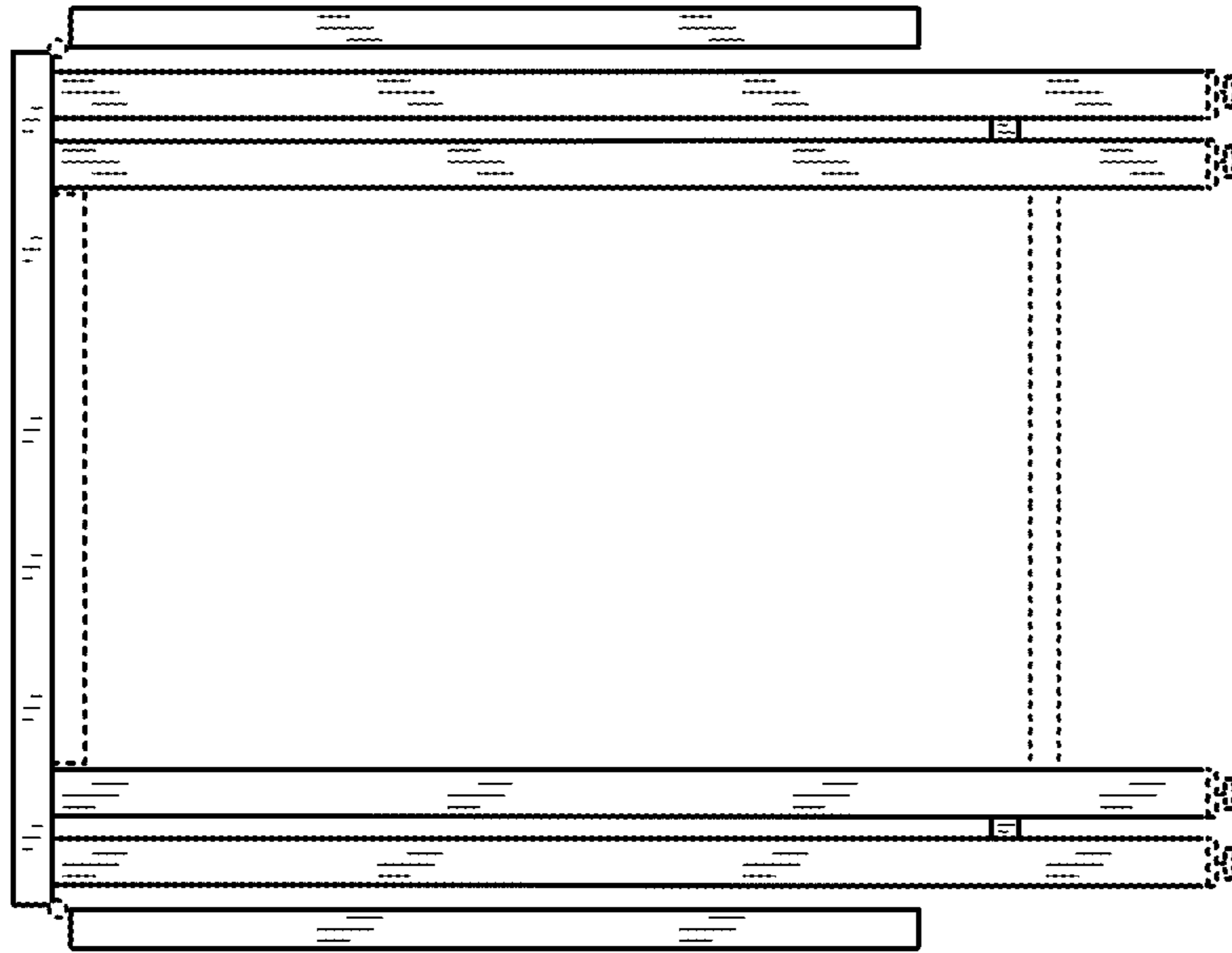


FIG. 7

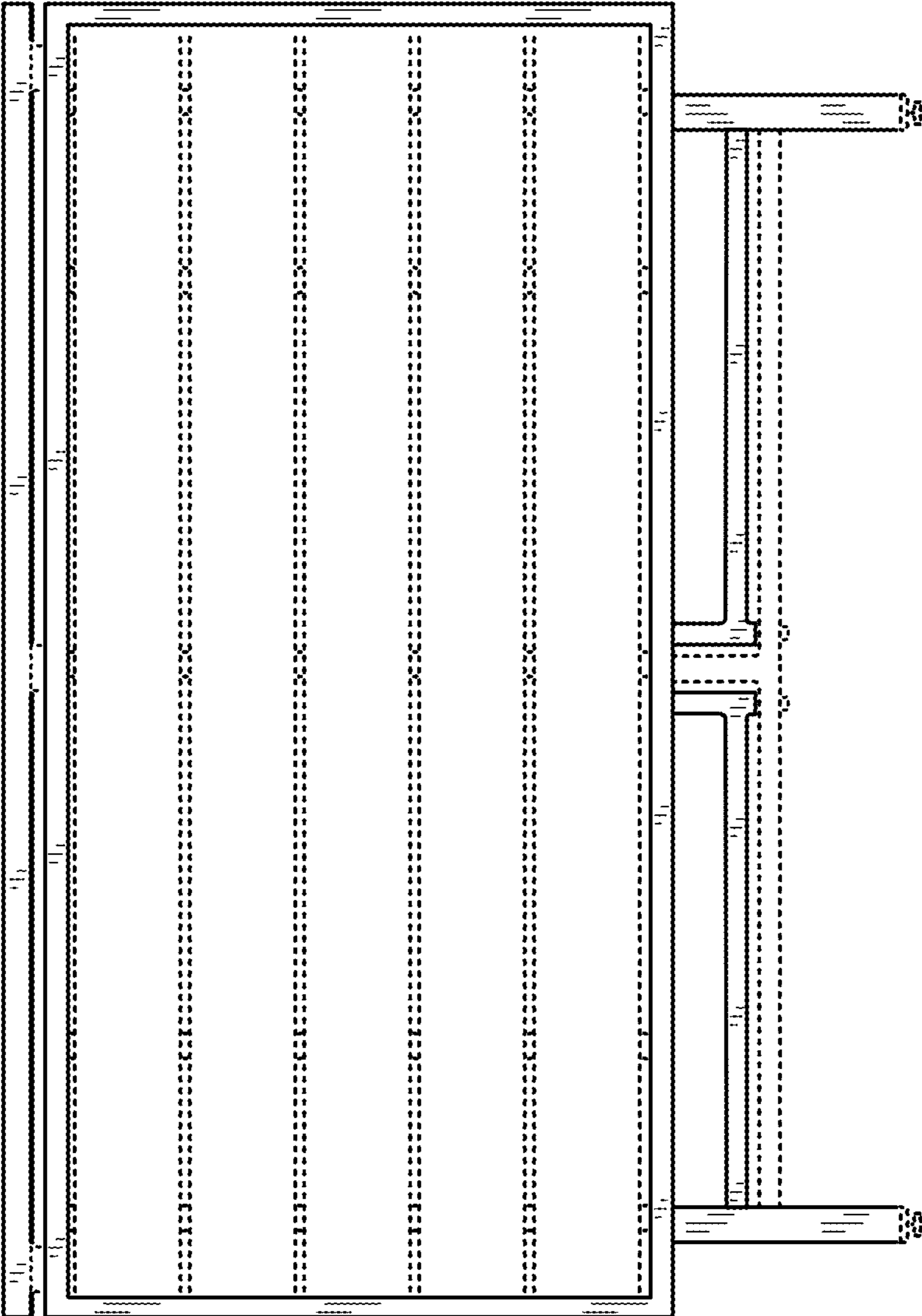


FIG. 8

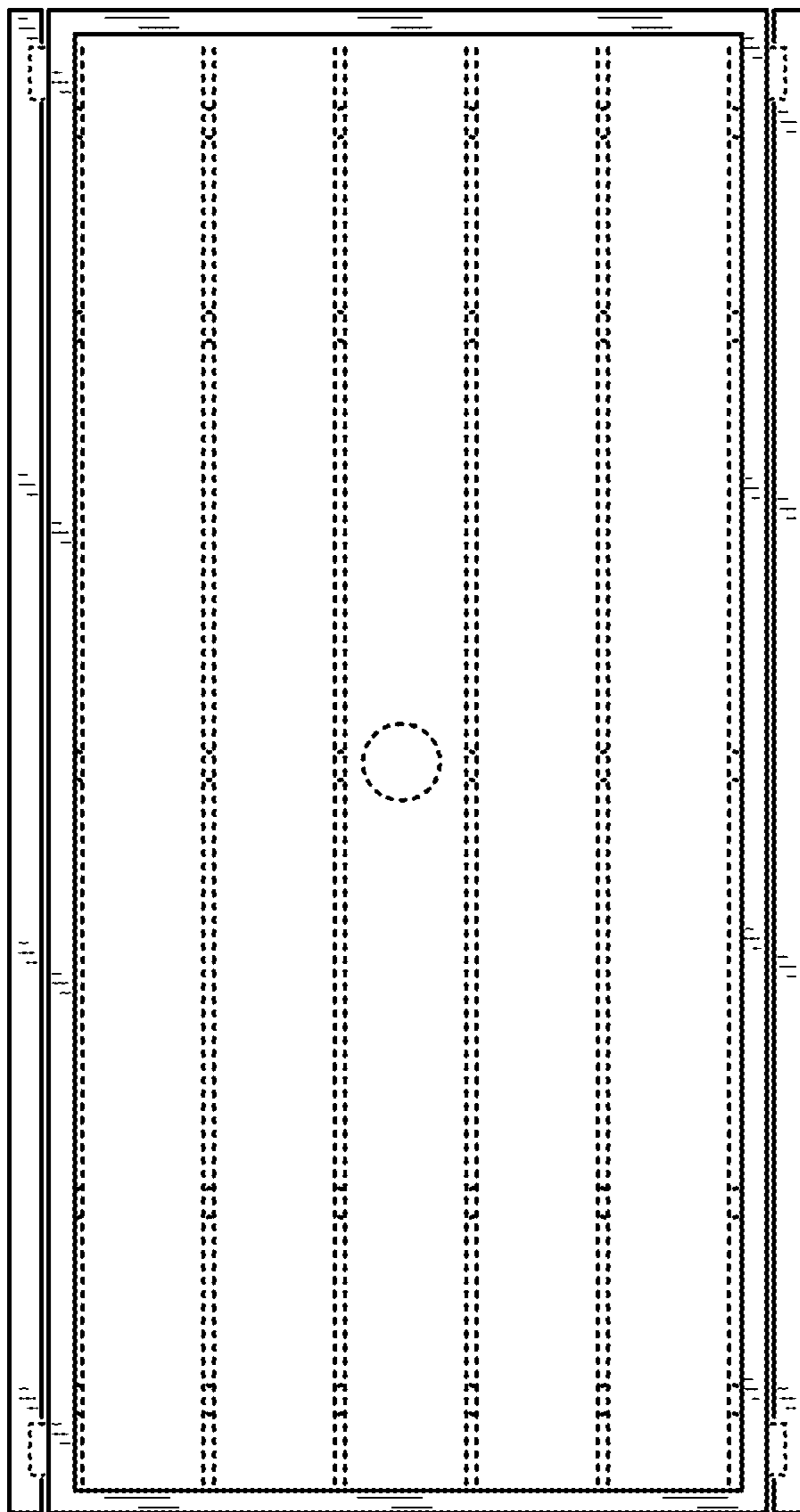


FIG. 9

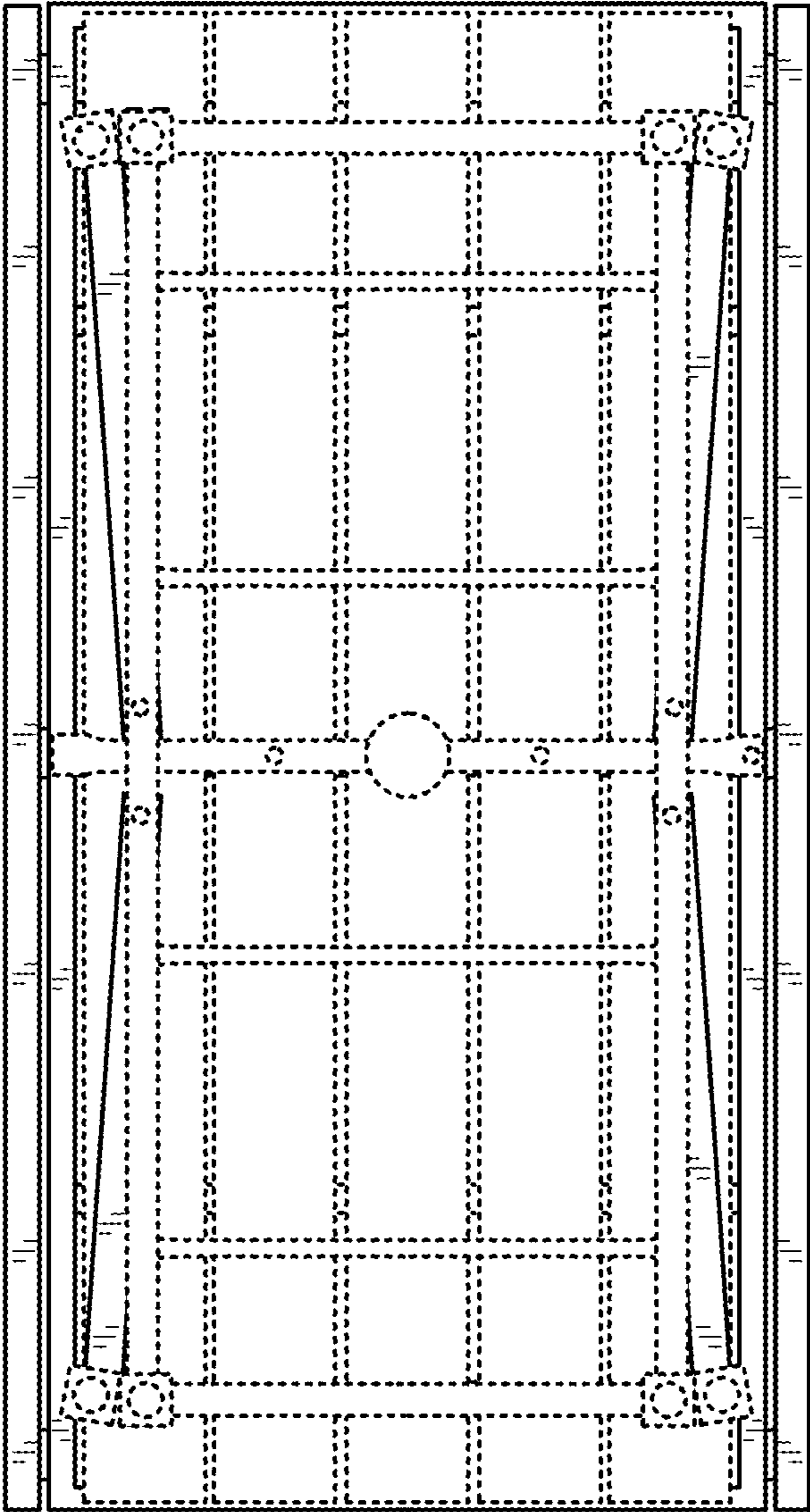


FIG. 10